



US00D553593S

(12) **United States Design Patent** (10) **Patent No.:** **US D553,593 S**  
**Lyles** (45) **Date of Patent:** **\*\* Oct. 23, 2007**

(54) **HANDSET**

WO DM/067414 \* 12/2005  
WO DM/067853 \* 12/2005

(75) Inventor: **Justin Lyles**, San Diego, CA (US)

**OTHER PUBLICATIONS**

(73) Assignee: **Nokia Corporation**, Espoo (FI)

Nokia 6280, announced Jun. 2005, [online], [retrieved on Feb. 5, 2007]. Retrieved from Internet, <URL: http://www.gsmarena.com>.\*

(\*\*) Term: **14 Years**

Nokia 6288, announced Sep. 2006, [online], [retrieved on Feb. 5, 2007]. Retrieved from Internet, <URL: http://www.gsmarena.com>.\*

(21) Appl. No.: **29/231,712**

Nokia 6282, announced 4<sup>th</sup> quarter 2005, [online], [retrieved on Feb. 5, 2007]. Retrieved from Internet, <URL: http://www.gsmarena.com>.\*

(22) Filed: **Jun. 9, 2005**

(51) **LOC (8) Cl.** ..... **14-03**

(52) **U.S. Cl.** ..... **D14/138**

(58) **Field of Classification Search** ..... D14/137,  
D14/138, 147, 218, 247, 341-347; 455/90.3,  
455/556.1, 556.2, 575.1, 575.3, 575.4; 379/433.01-433.13;  
361/814; 348/14.02

*Primary Examiner*—Jeffrey Asch

*Assistant Examiner*—Bridget L. Eland

(74) *Attorney, Agent, or Firm*—Banner & Witcoff, Ltd.

See application file for complete search history.

(57) **CLAIM**

The ornamental design for a handset, as shown and described.

(56) **References Cited**

**U.S. PATENT DOCUMENTS**

D466,096 S *	11/2002	Takada	.....	D14/138
D479,214 S *	9/2003	Bertrand et al.	.....	D14/138
D503,699 S *	4/2005	Lee et al.	.....	D14/138
D508,473 S *	8/2005	Lee et al.	.....	D14/138
D509,202 S *	9/2005	Lee et al.	.....	D14/138
D511,342 S *	11/2005	Chien	.....	D14/346
D514,079 S *	1/2006	Lai	.....	D14/138
D516,531 S *	3/2006	Hwang	.....	D14/138
D525,609 S *	7/2006	Kim et al.	.....	D14/138
D526,301 S *	8/2006	Shin	.....	D14/138
D526,302 S *	8/2006	Kim	.....	D14/138
D526,989 S *	8/2006	Dimitriadis et al.	.....	D14/138
D527,364 S *	8/2006	Lee et al.	.....	D14/138
D527,366 S *	8/2006	Lee	.....	D14/138
D528,096 S *	9/2006	Park	.....	D14/138
D528,526 S *	9/2006	Shin	.....	D14/138

(Continued)

**FOREIGN PATENT DOCUMENTS**

FI	24080	9/2005
WO	DM/067109	* 9/2005

**DESCRIPTION**

FIG. 1 is a bottom plan view of a handset showing my new design;

FIG. 2 is a right side view thereof;

FIG. 3 is a front view thereof;

FIG. 4 is a left side view thereof;

FIG. 5 is a top plan view thereof;

FIG. 6 is a rear view thereof;

FIG. 7 is a perspective front view thereof;

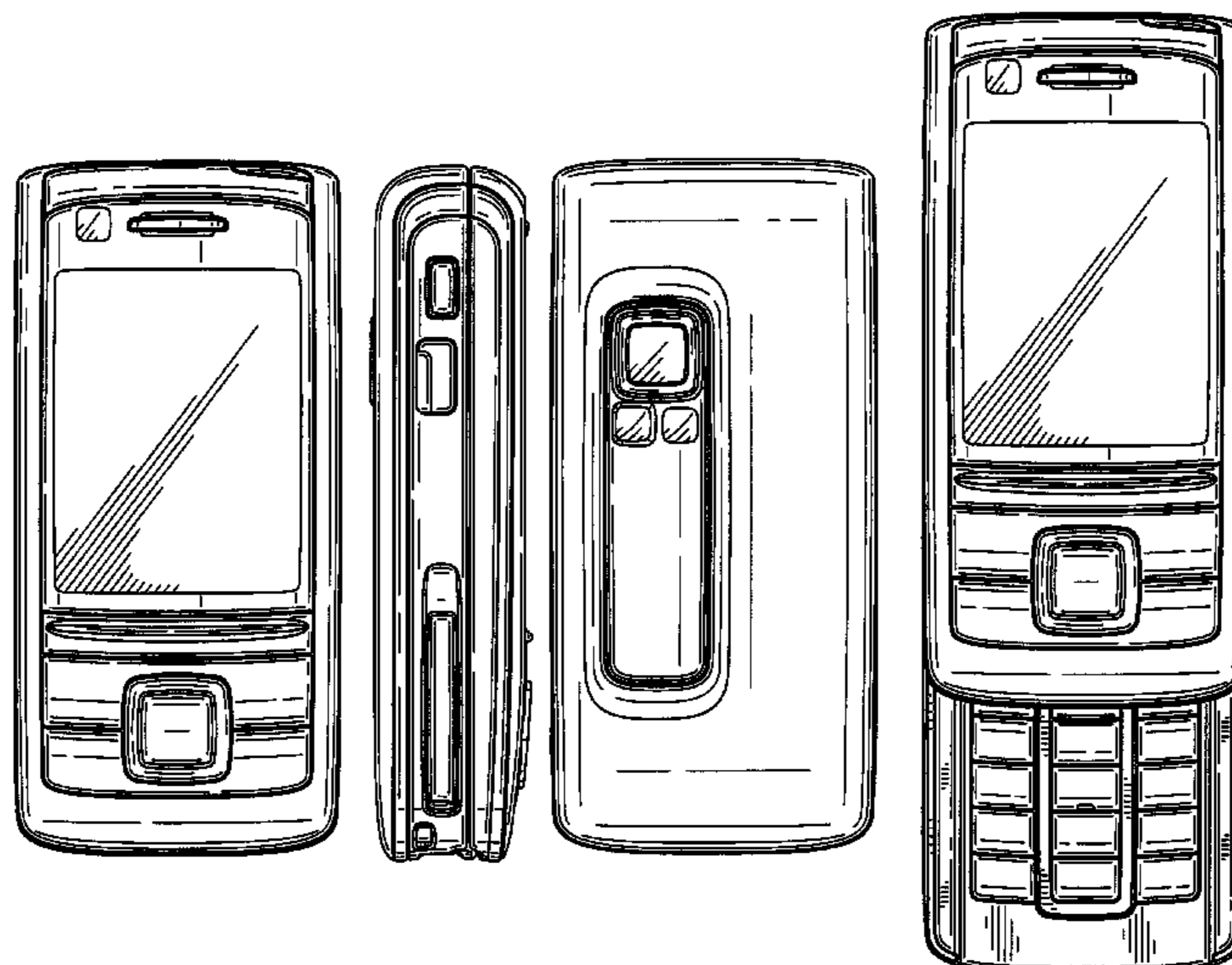
FIG. 8 is a perspective rear view thereof;

FIG. 9 is a front view of the handset of FIGS. 1-8 in an in-use position;

FIG. 10 is a perspective front view of the handset of FIGS. 1-8 in an in-use position; and,

FIG. 11 is a perspective rear view of the handset of FIGS. 1-8 in an in-use position.

**1 Claim, 5 Drawing Sheets**



# US D553,593 S

Page 2

---

## U.S. PATENT DOCUMENTS

D528,532 S	*	9/2006	Dimitriadis et al. ....	D14/138	D534,892 S	*	1/2007	Lee et al. ....	D14/138
D528,533 S	*	9/2006	Lee et al. ....	D14/138	D535,275 S	*	1/2007	Kim et al. ....	D14/138
D529,474 S	*	10/2006	Park et al. ....	D14/138	2005/0255897 A1	*	11/2005	Lee et al. ....	455/575.4
D529,887 S	*	10/2006	Chung et al. ....	D14/138	2006/0046796 A1	*	3/2006	Park et al. ....	455/575.4
D530,295 S	*	10/2006	Chung et al. ....	D14/138	2006/0142073 A1	*	6/2006	Gordecki ....	455/575.4

\* cited by examiner

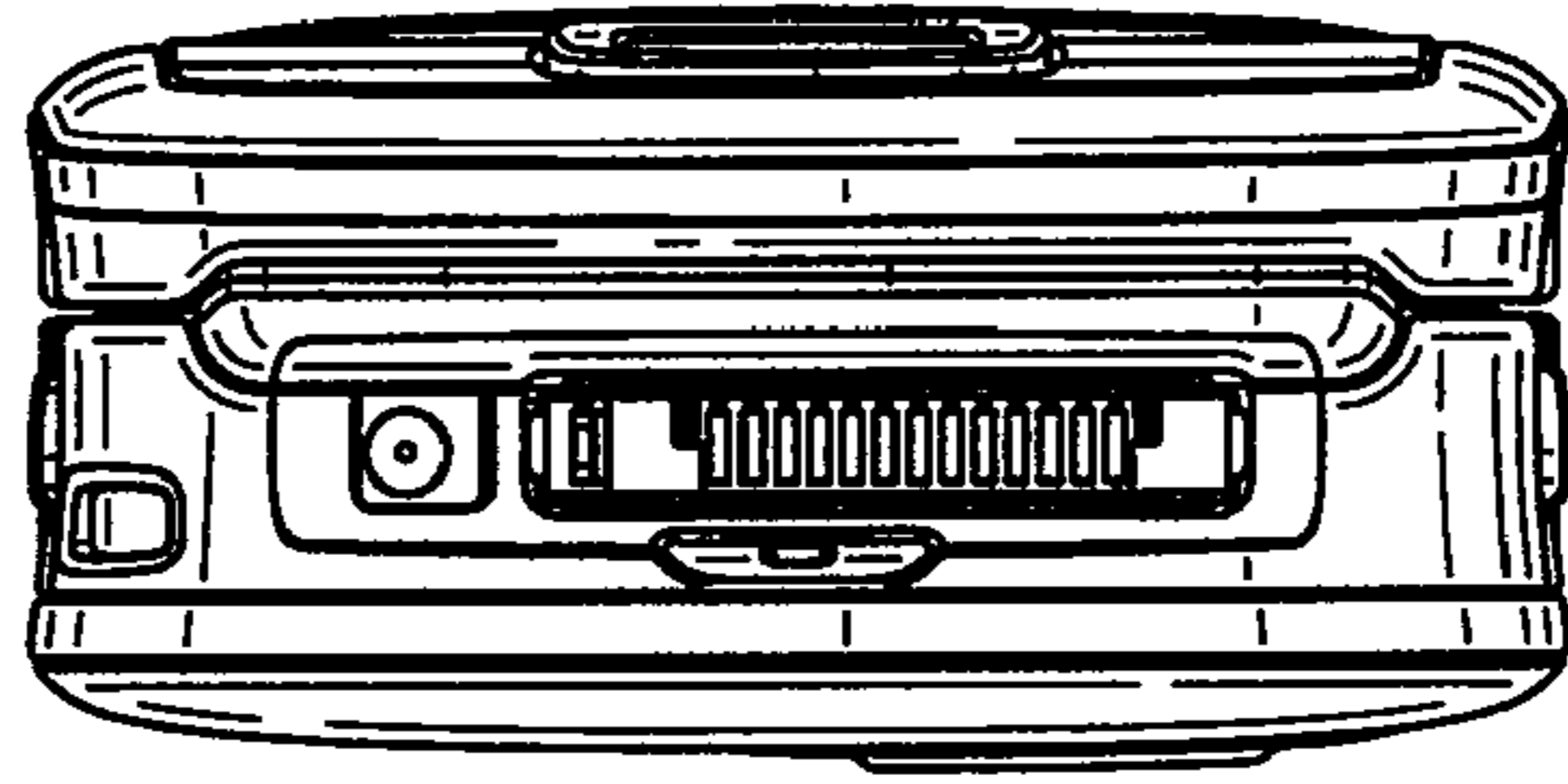


FIG. 1

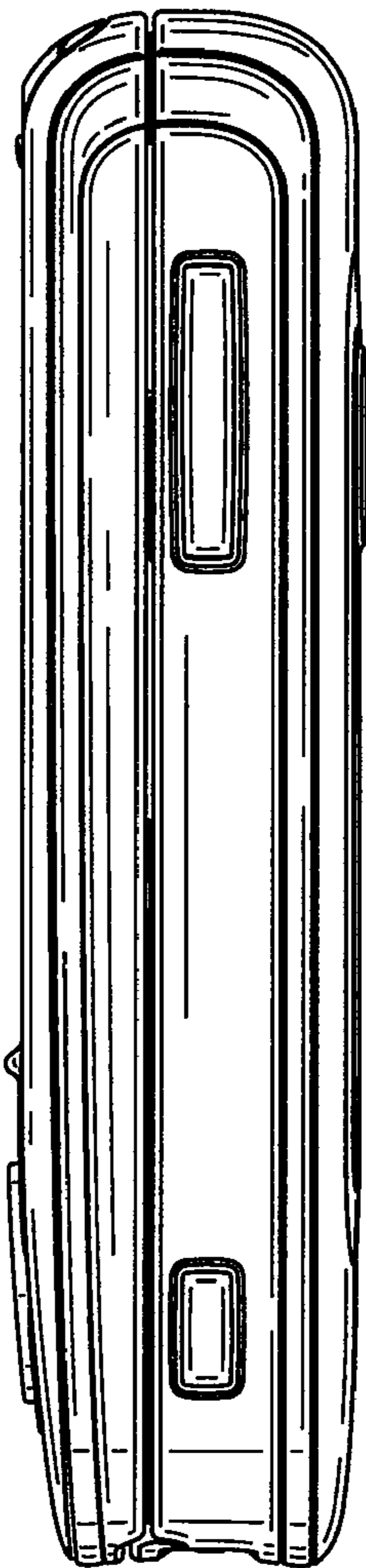


FIG. 2

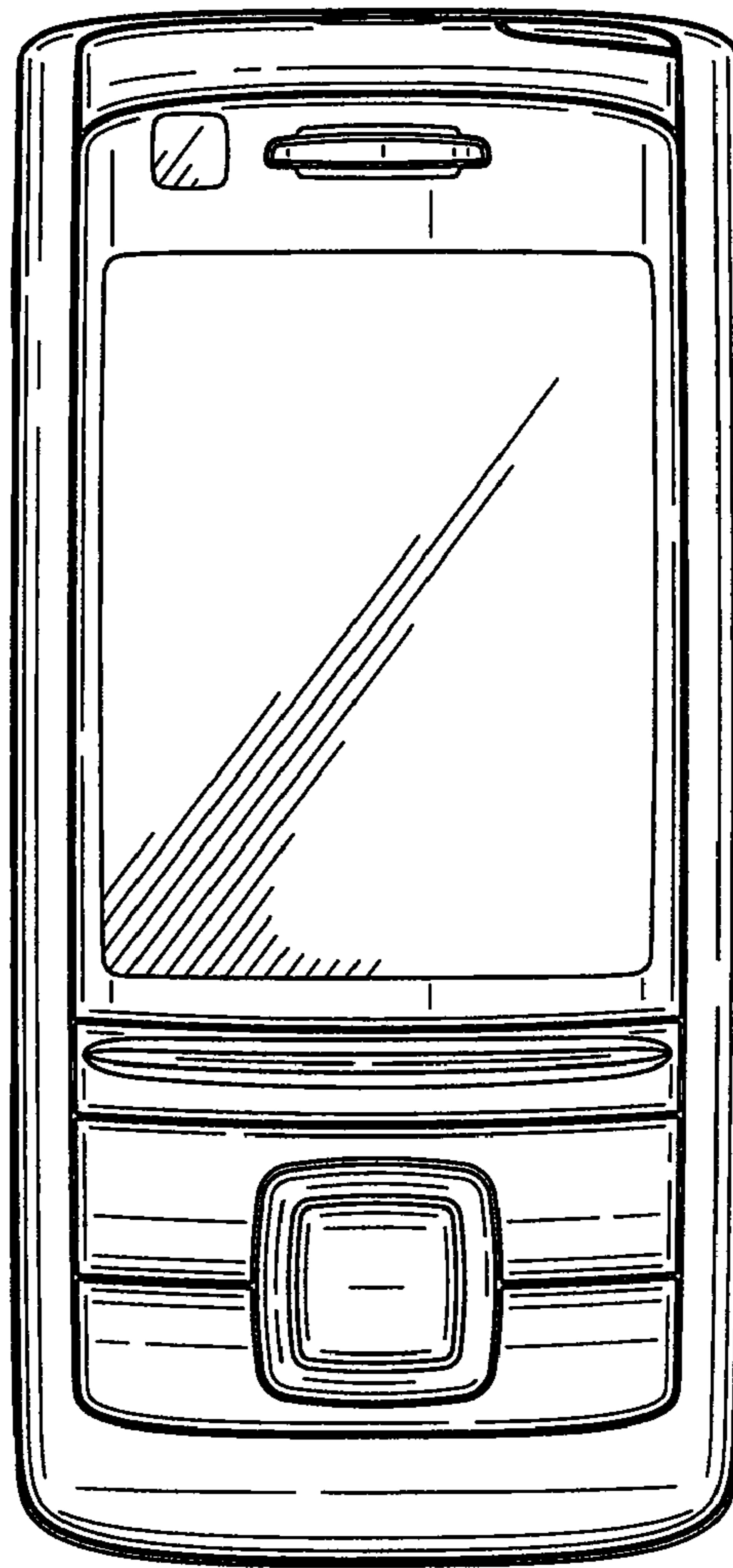


FIG. 3

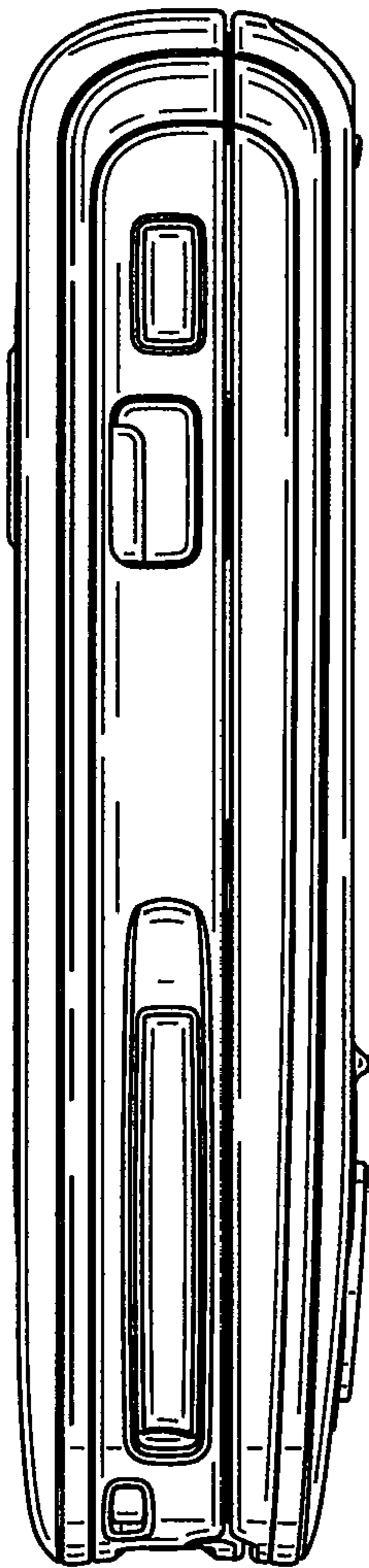


FIG. 4

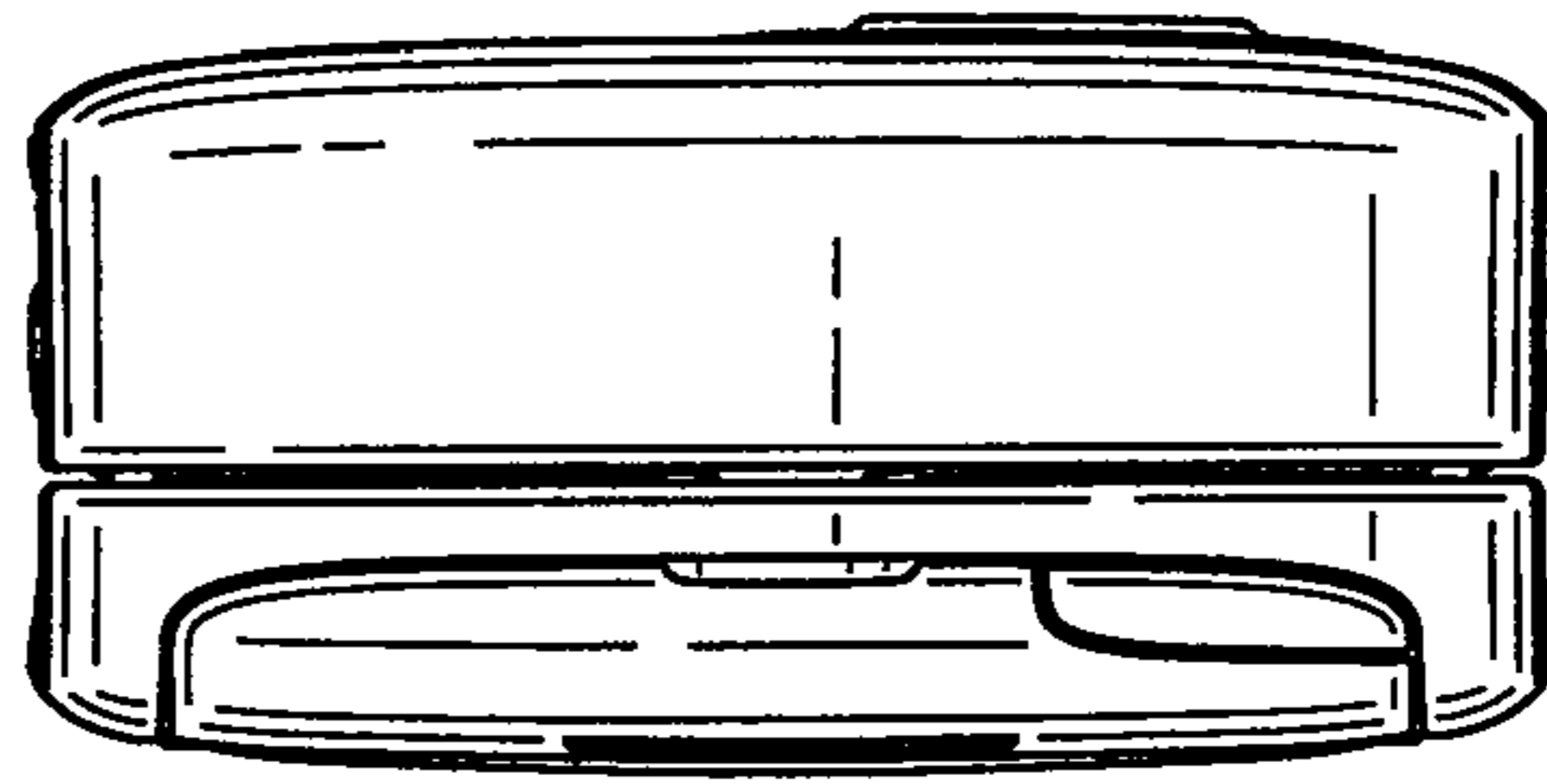


FIG. 5

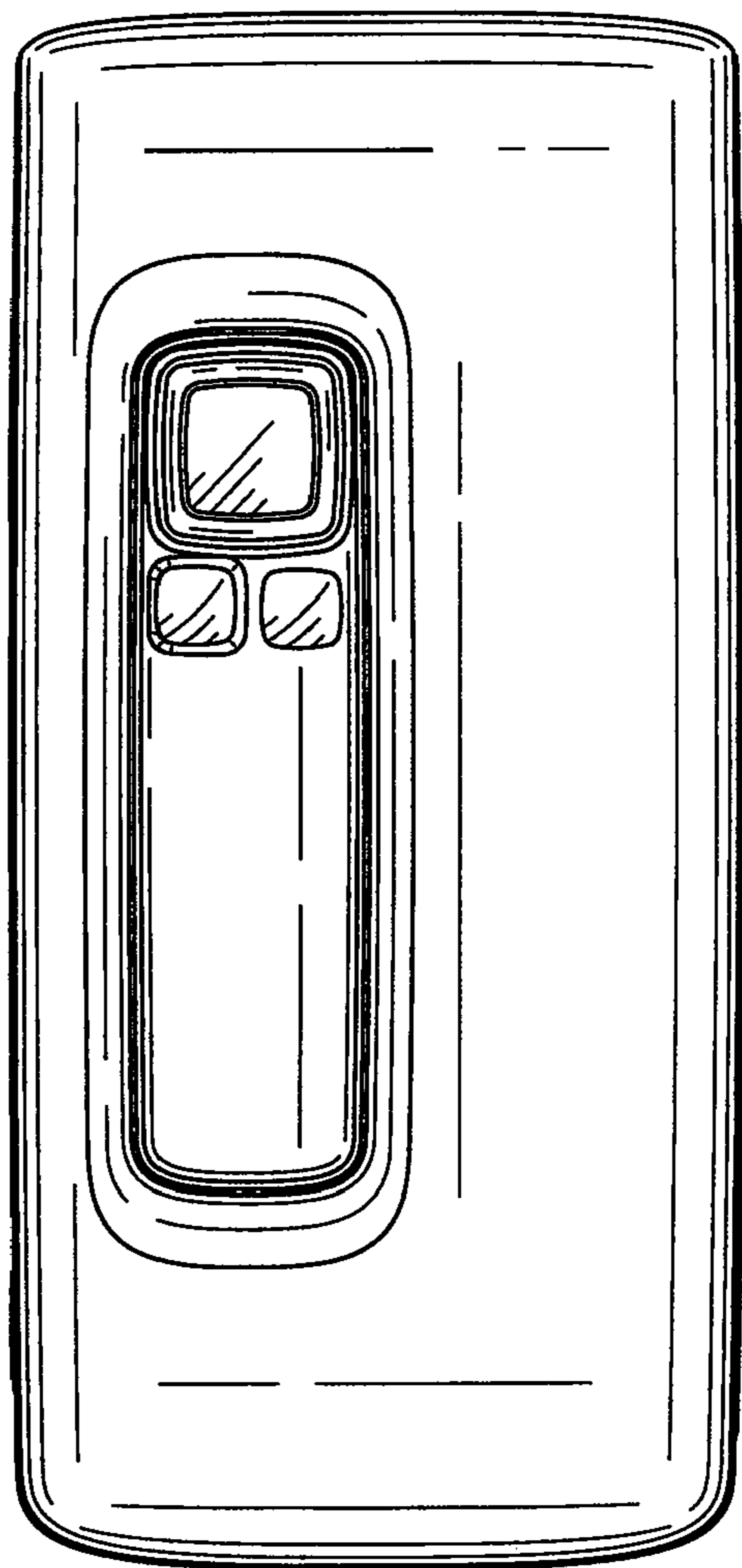


FIG. 6

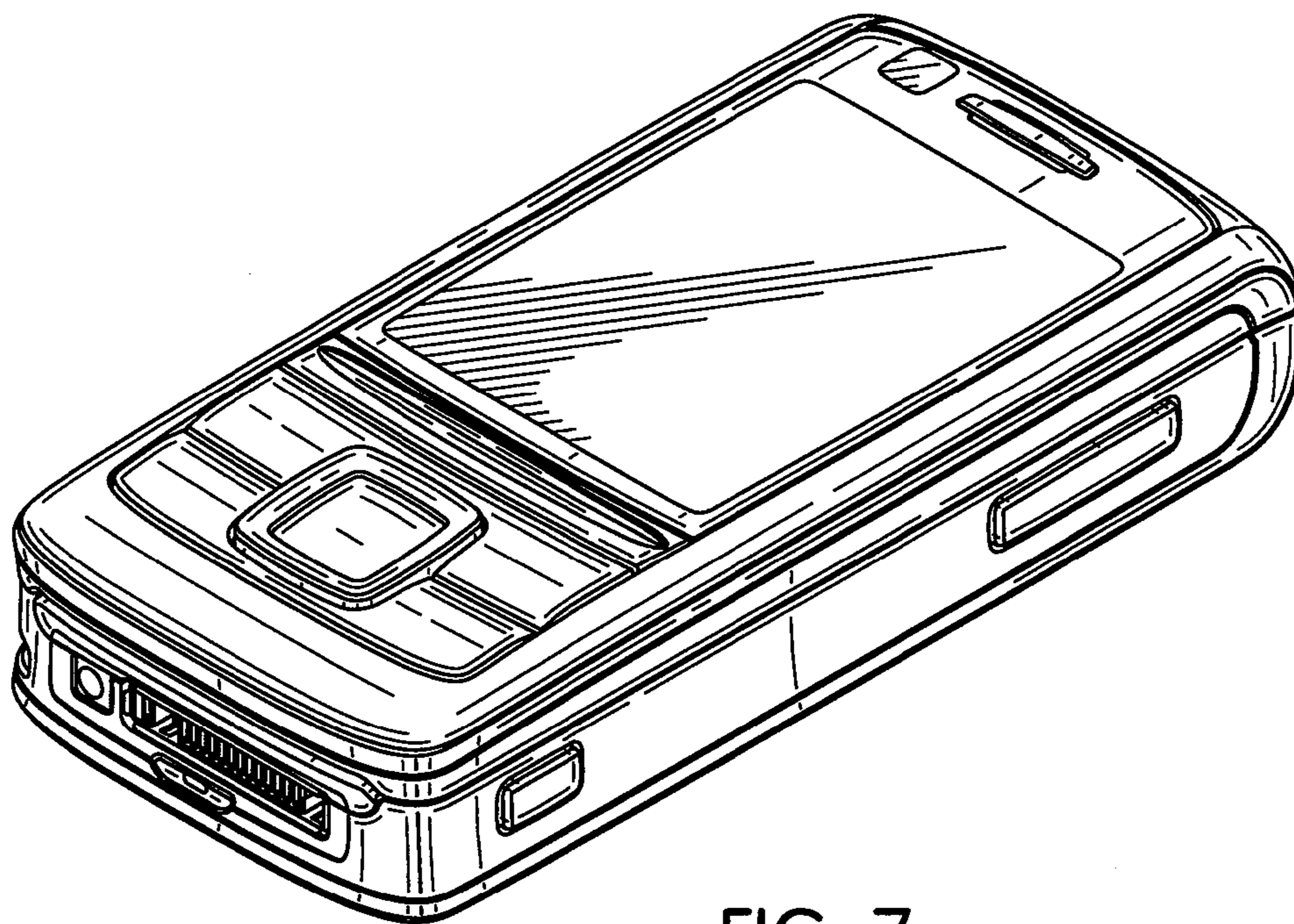


FIG. 7

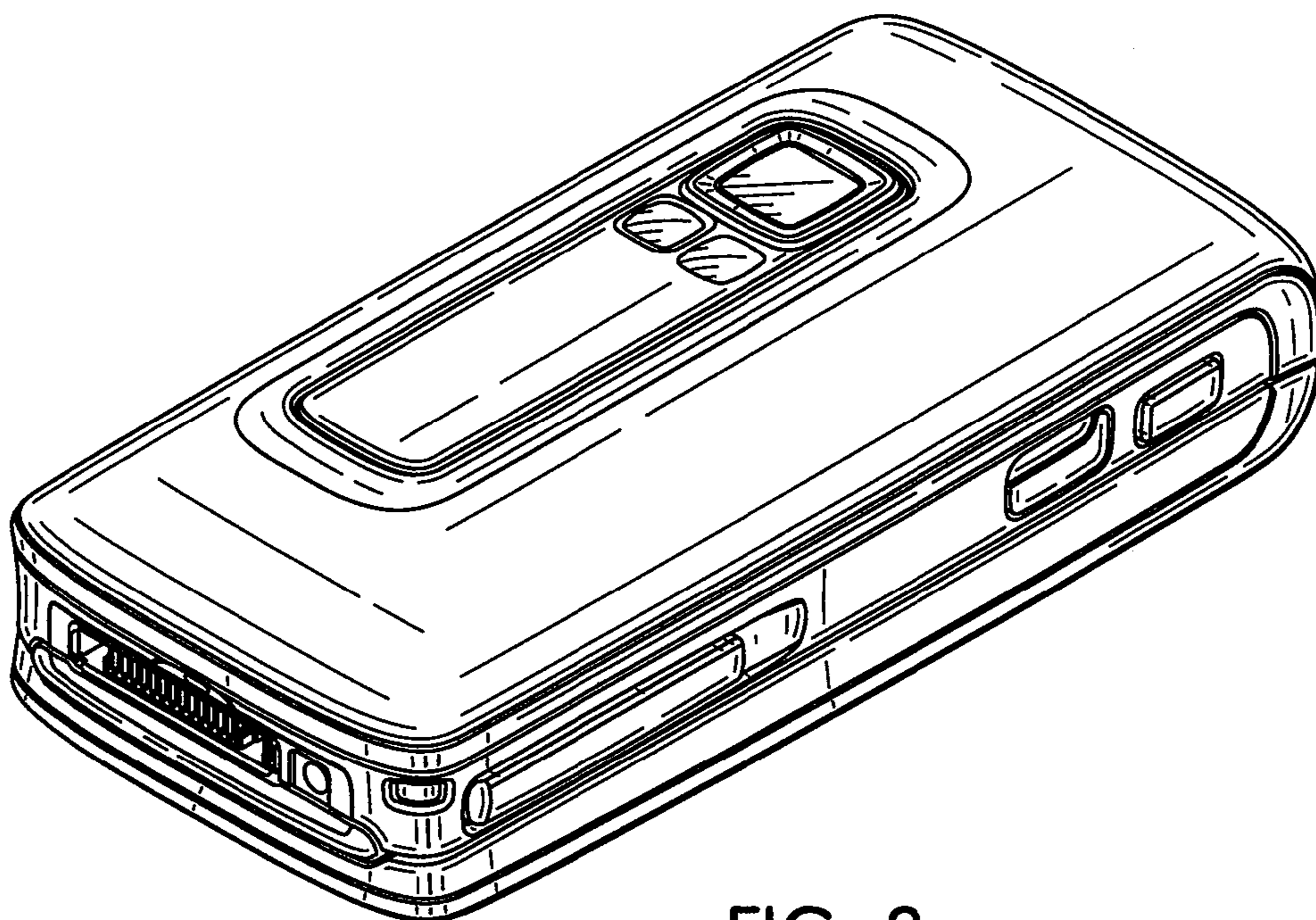


FIG. 8

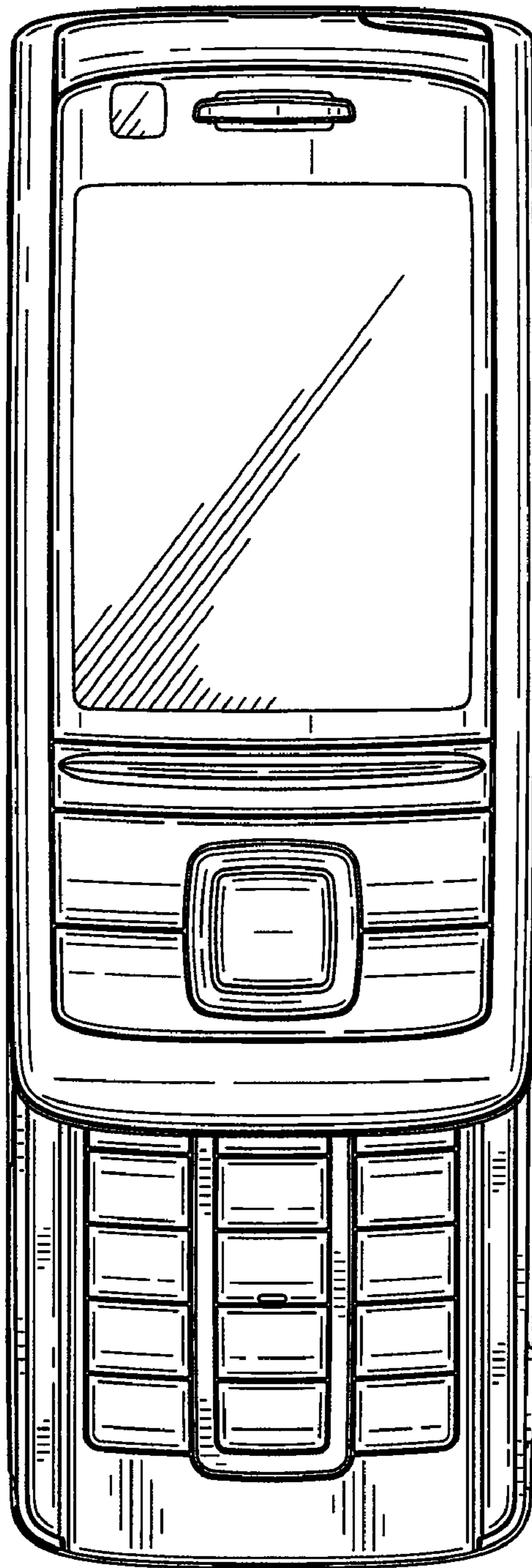


FIG. 9

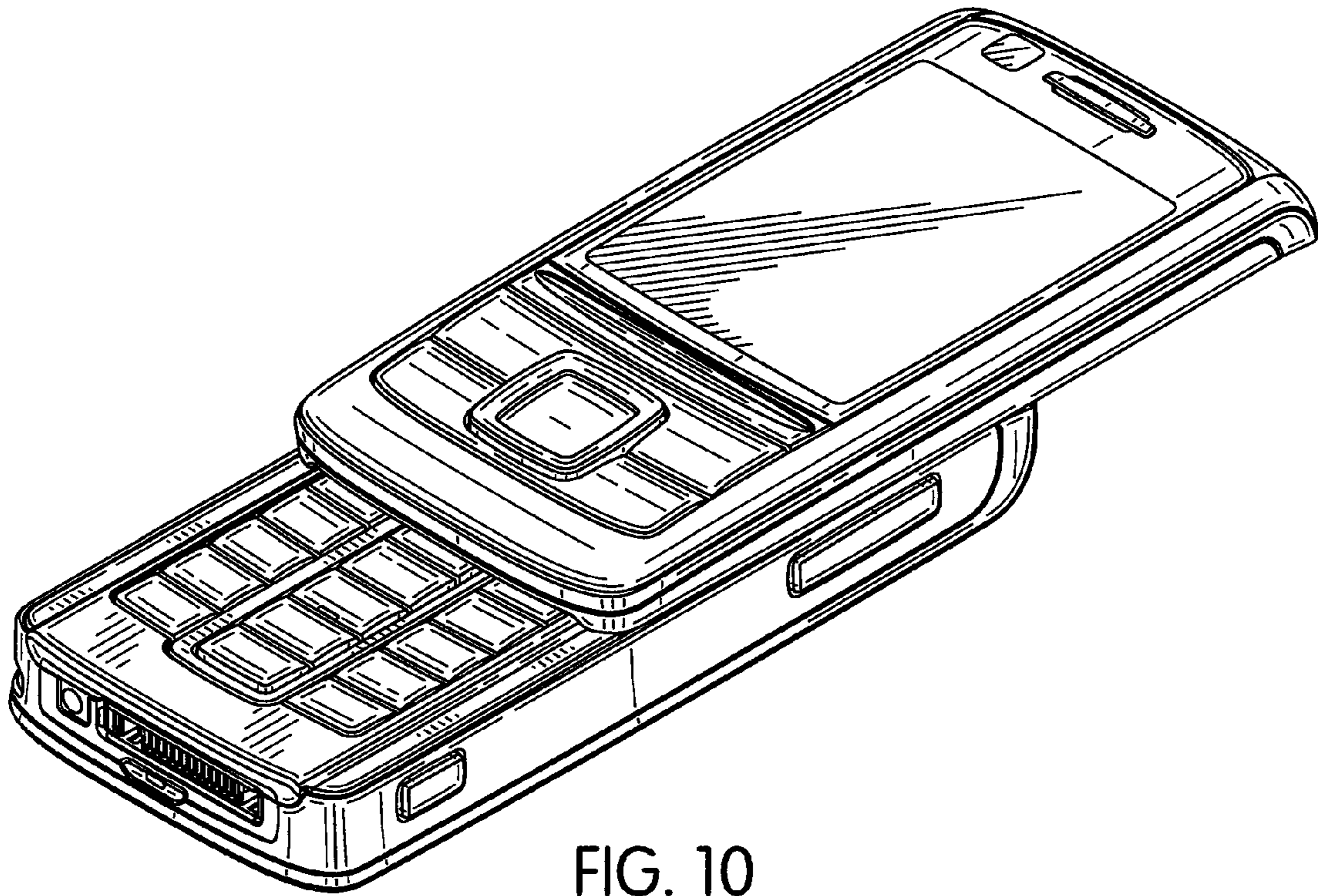


FIG. 10

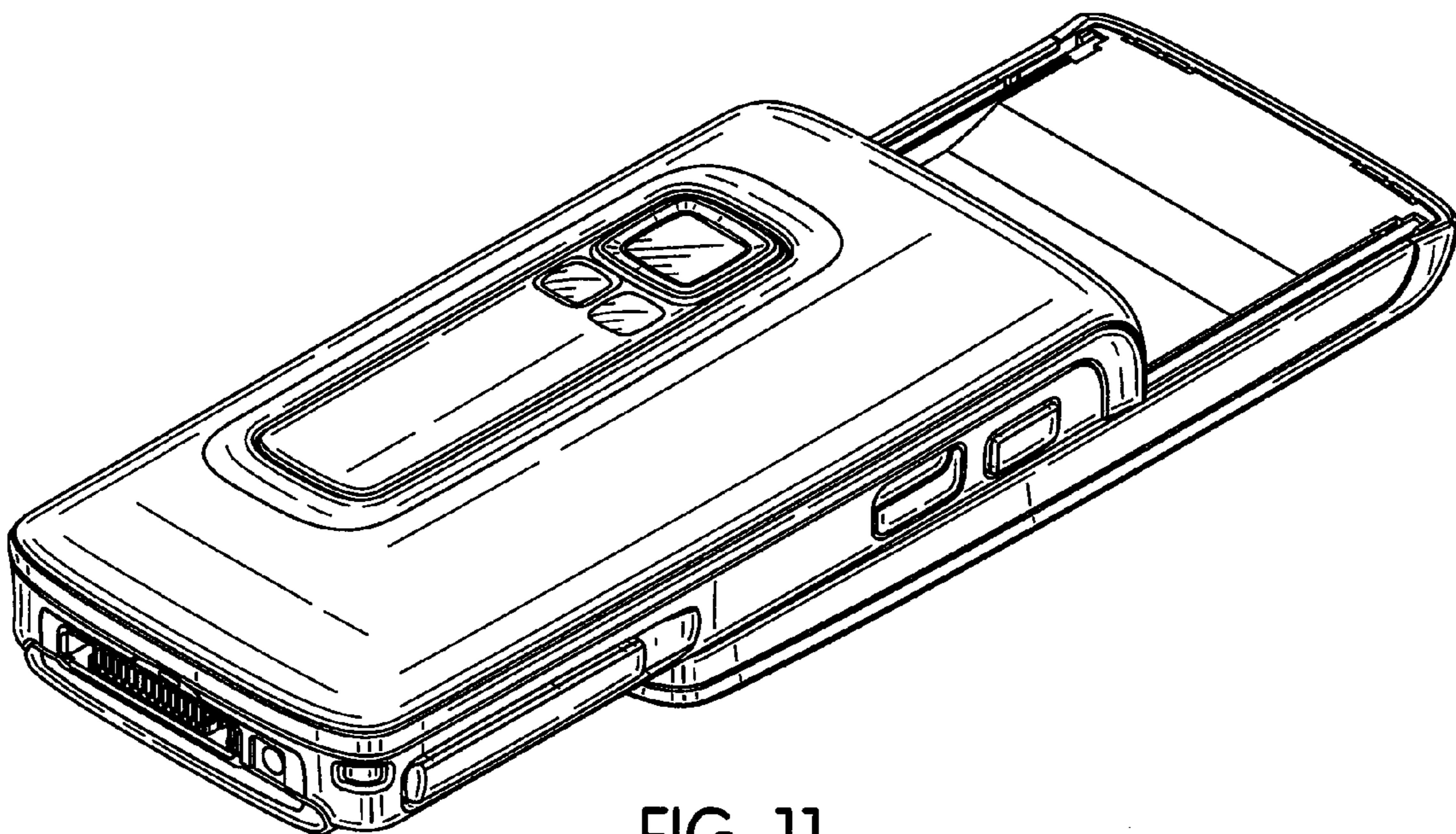


FIG. 11