



US00D553591S

(12) **United States Design Patent**  
**Yanaura et al.**

(10) **Patent No.:** **US D553,591 S**  
(45) **Date of Patent:** **\*\* Oct. 23, 2007**

(54) **DISC PLAYER**

(75) Inventors: **Mikio Yanaura**, Tokyo (JP); **Jun Uchiyama**, Tokyo (JP)

(73) Assignee: **Sony Corporation**, Tokyo (JP)

(\*\*) Term: **14 Years**

(21) Appl. No.: **29/253,642**

(22) Filed: **Feb. 10, 2006**

(30) **Foreign Application Priority Data**

Dec. 9, 2005 (JP) ..... D2005-036369

(51) **LOC (8) Cl.** ..... **14-03**

(52) **U.S. Cl.** ..... **D14/132**

(58) **Field of Classification Search** ..... D14/125-134,  
D14/239, 371, 136, 374-377; 312/7.2; 348/836,  
348/88, 180, 184, 325, 739; 341/12; 248/917-924,  
248/465; 345/104, 133, 156, 168, 87, 173;  
720/605, 669, 600, 655; 369/99, 197; 455/344-347  
See application file for complete search history.

(56) **References Cited**

**U.S. PATENT DOCUMENTS**

- D431,559 S 10/2000 Morooka
- D445,100 S 7/2001 Sawai
- D473,564 S 4/2003 Yano
- 6,772,422 B2 \* 8/2004 Yano et al. .... 720/600
- D503,165 S 3/2005 Tsuge
- D519,476 S \* 4/2006 Peng ..... D14/129
- D535,956 S \* 1/2007 Peng ..... D14/132
- D540,763 S \* 4/2007 Liang et al. .... D14/129

**FOREIGN PATENT DOCUMENTS**

JP D1074829 S 6/2000

- JP D1085632 S 9/2000
- JP D1088164 S 10/2000
- JP D1100369 S 2/2001
- JP D1104563 S 3/2001

**OTHER PUBLICATIONS**

- Web page "ZTO-253" <http://www.zox-net.com/portable.html>, 2 sheet, Zox (Jan. 2006).
- Web page "SD-P2700" <http://www3.toshiba.co.jp/hdd-dvd/products/player/sd-p2700.html>, 1 sheet, Toshiba (Jan. 2006).
- Web page "EG-D600" <http://www.everg.co.jp/?contents-evergreen/dvd/eg-d600>, 1 sheet, Ever Green (Jan. 2006).

\* cited by examiner

*Primary Examiner*—Raphael Barkai  
(74) *Attorney, Agent, or Firm*—Rader, Fishman & Grauer PLLC

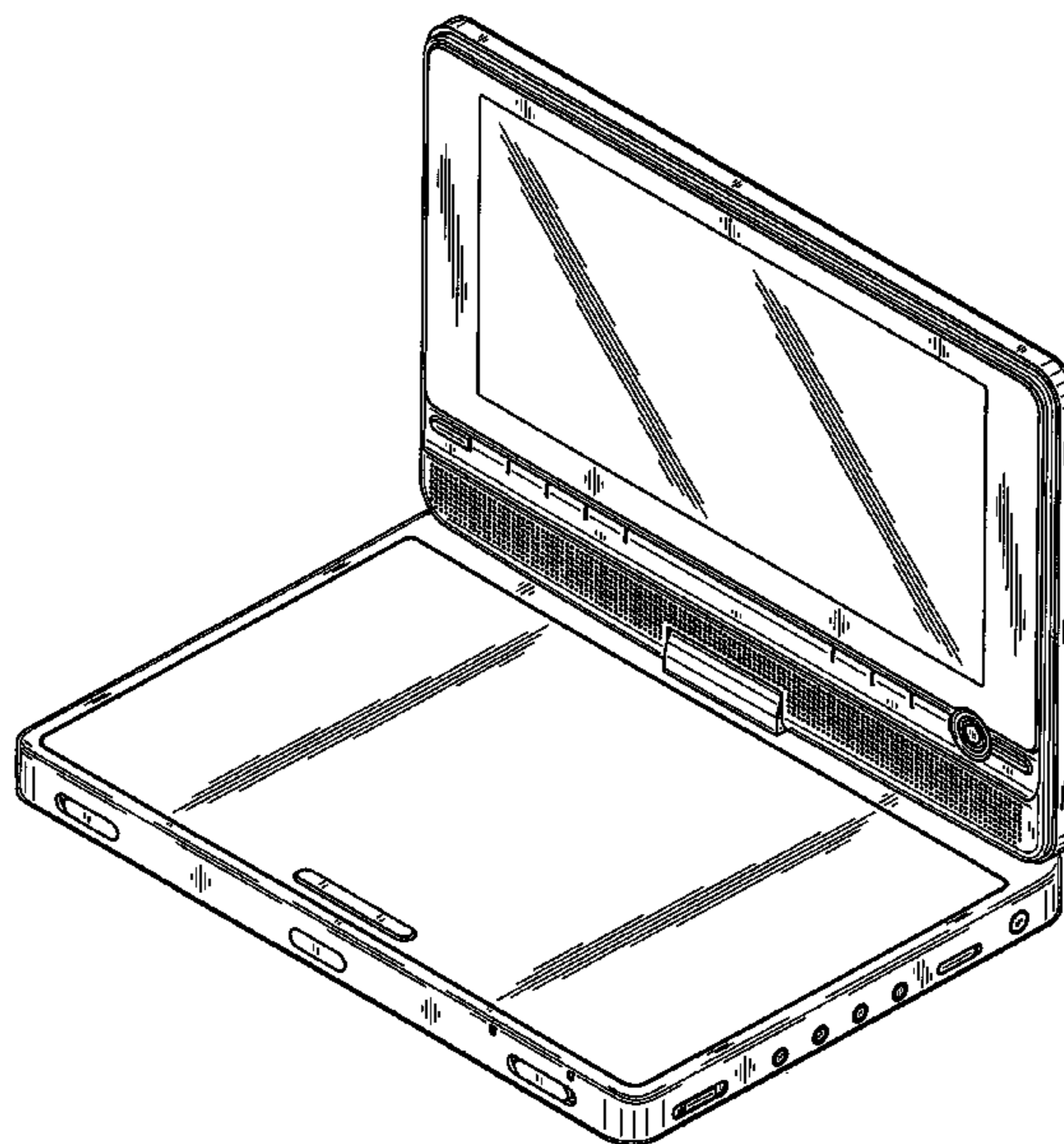
(57) **CLAIM**

The ornamental design for a disc player, as shown.

**DESCRIPTION**

- FIG. 1 is a perspective view of a disc player showing our new design;
- FIG. 2 is a front elevational view thereof;
- FIG. 3 is a rear elevational view thereof;
- FIG. 4 is a left side elevational view thereof;
- FIG. 5 is a right side elevational view thereof;
- FIG. 6 is a top plan view thereof; and,
- FIG. 7 is a bottom plan view thereof.

**1 Claim, 7 Drawing Sheets**



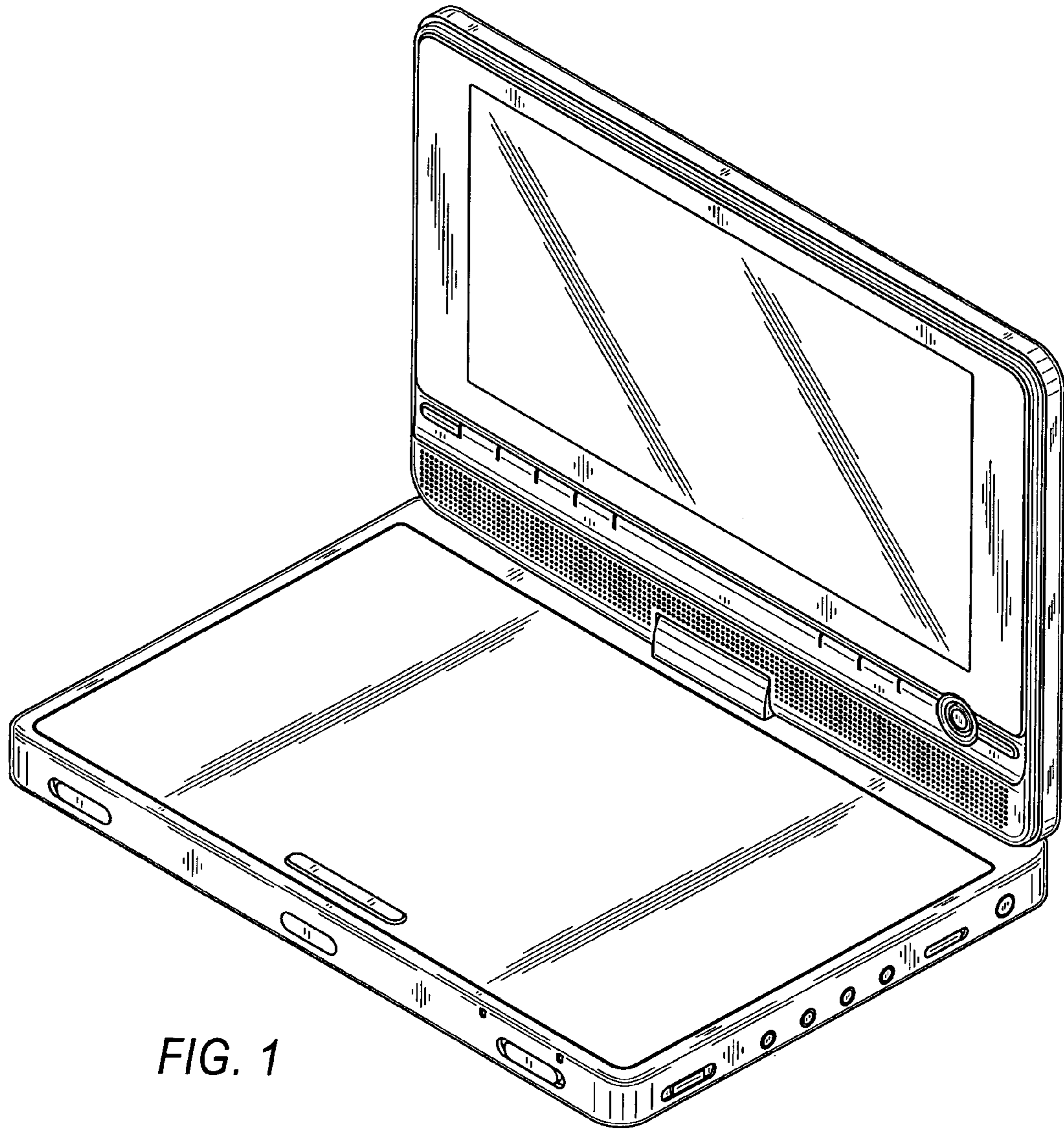


FIG. 1

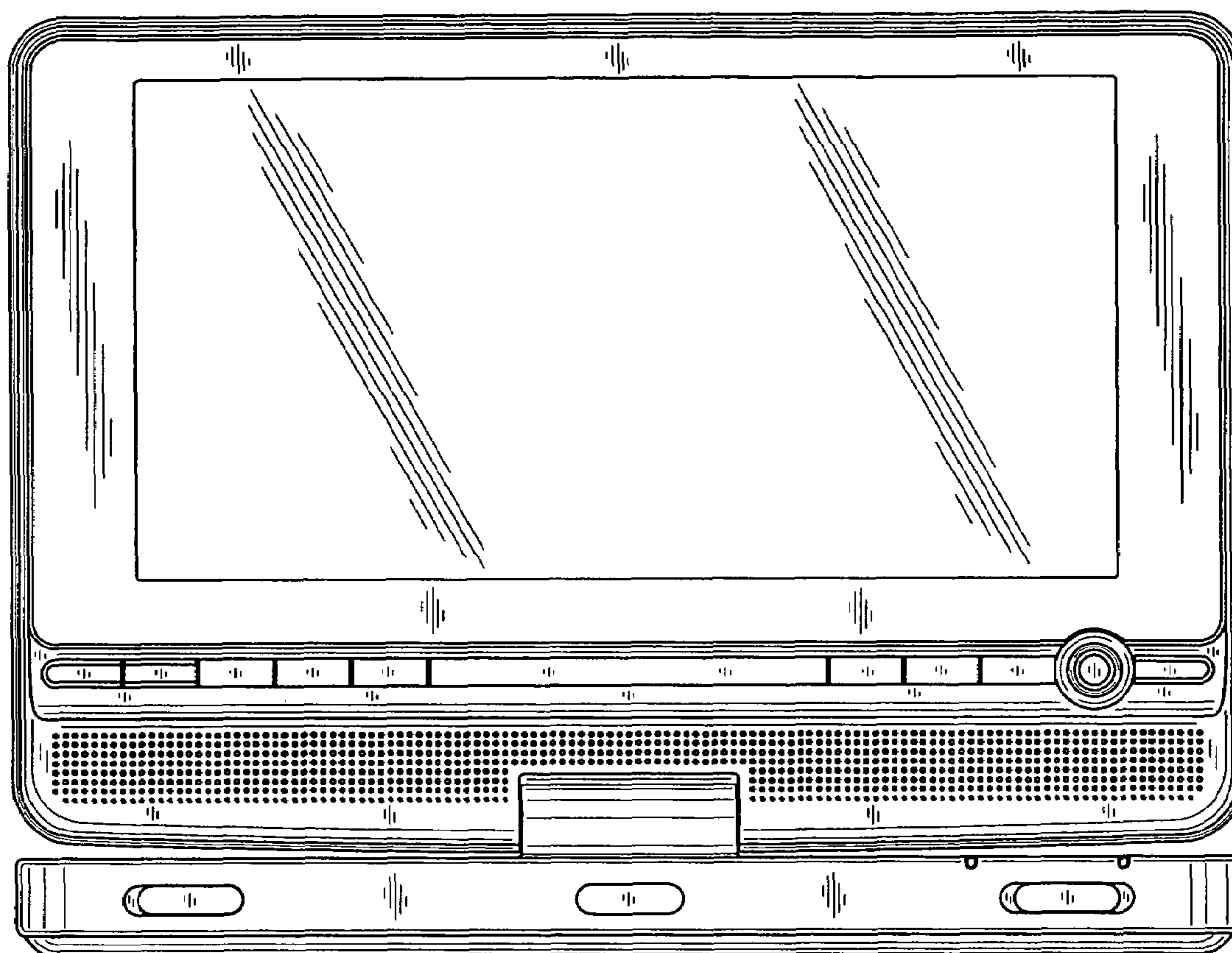


FIG. 2

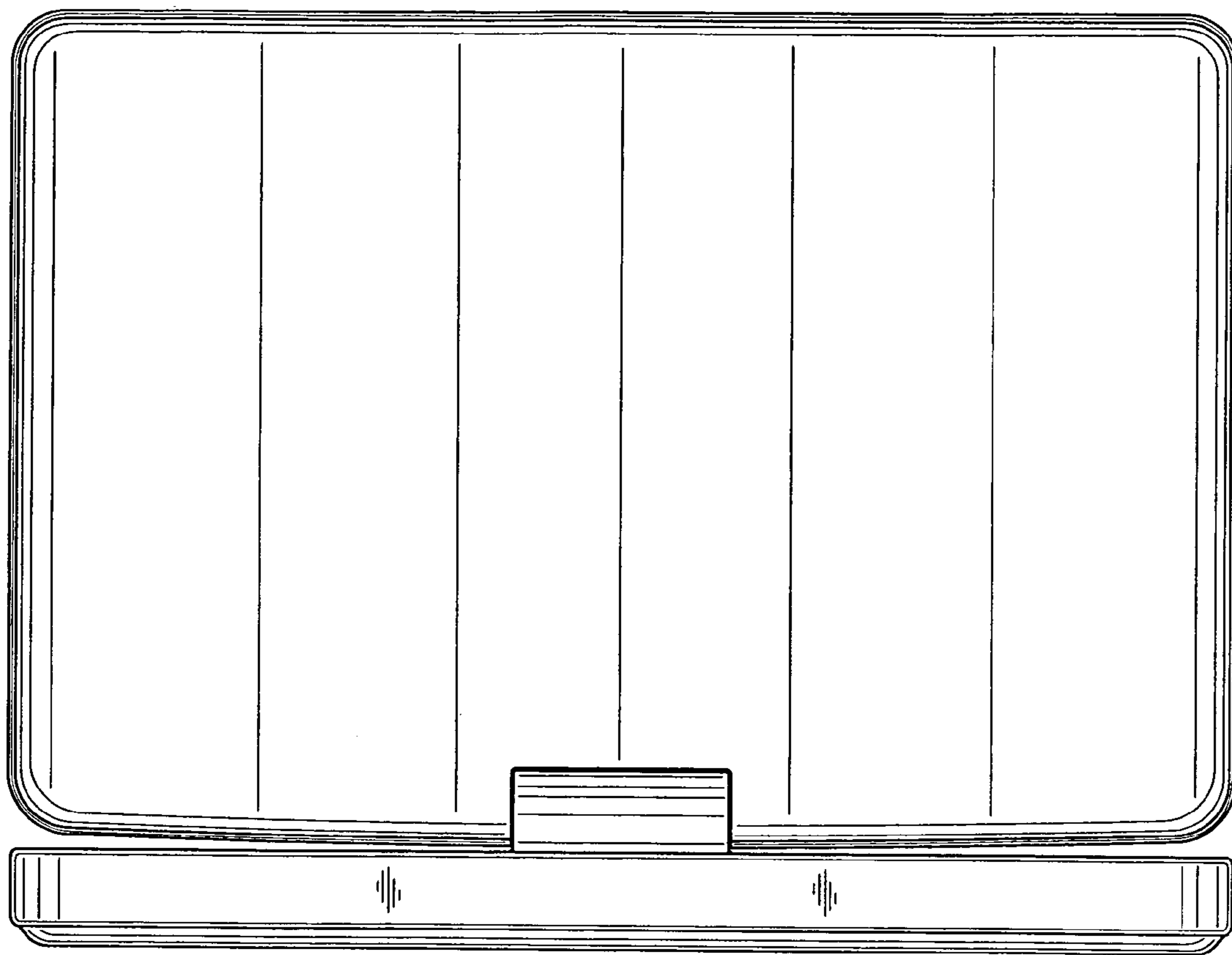
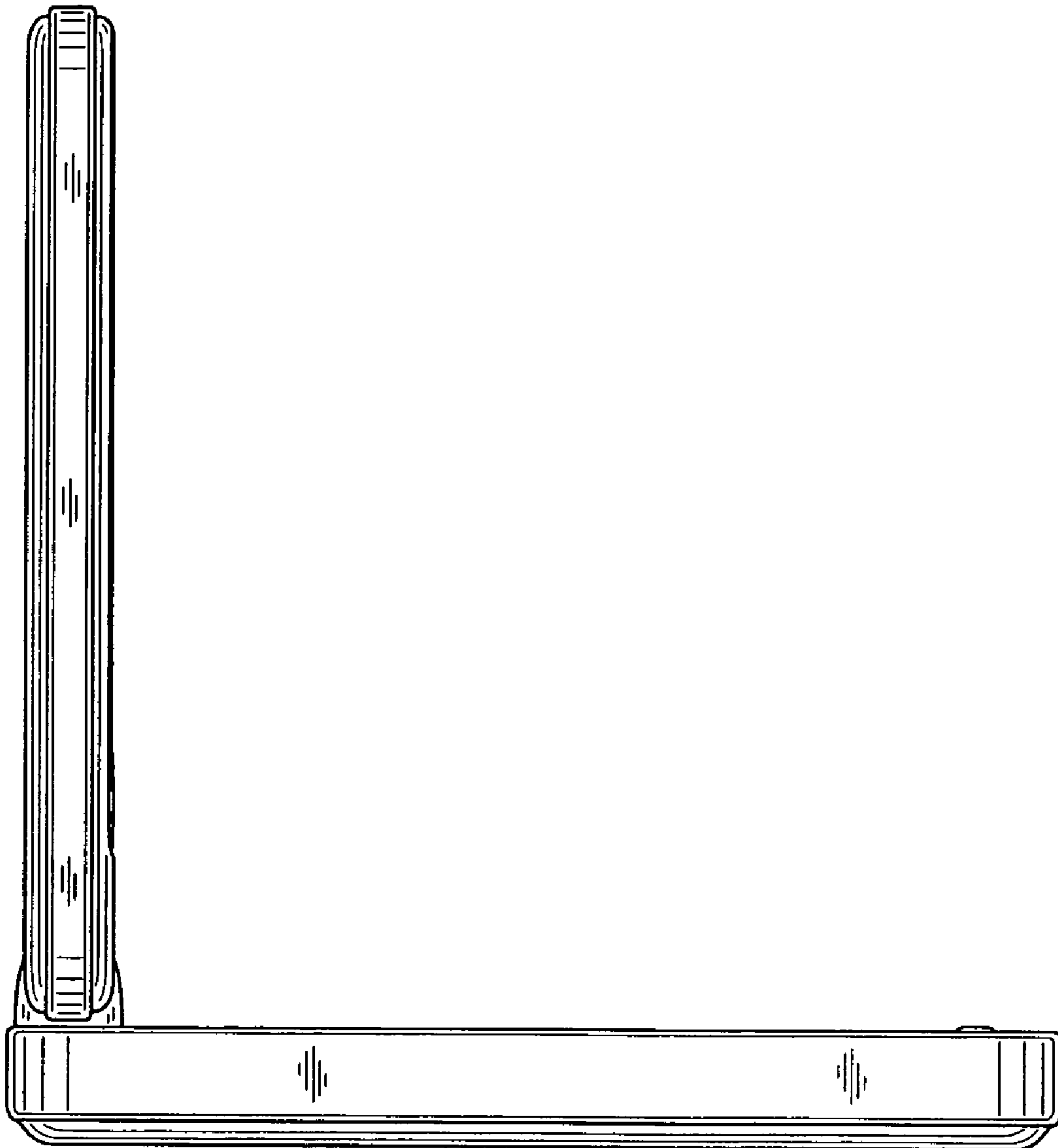


FIG. 3



*FIG. 4*

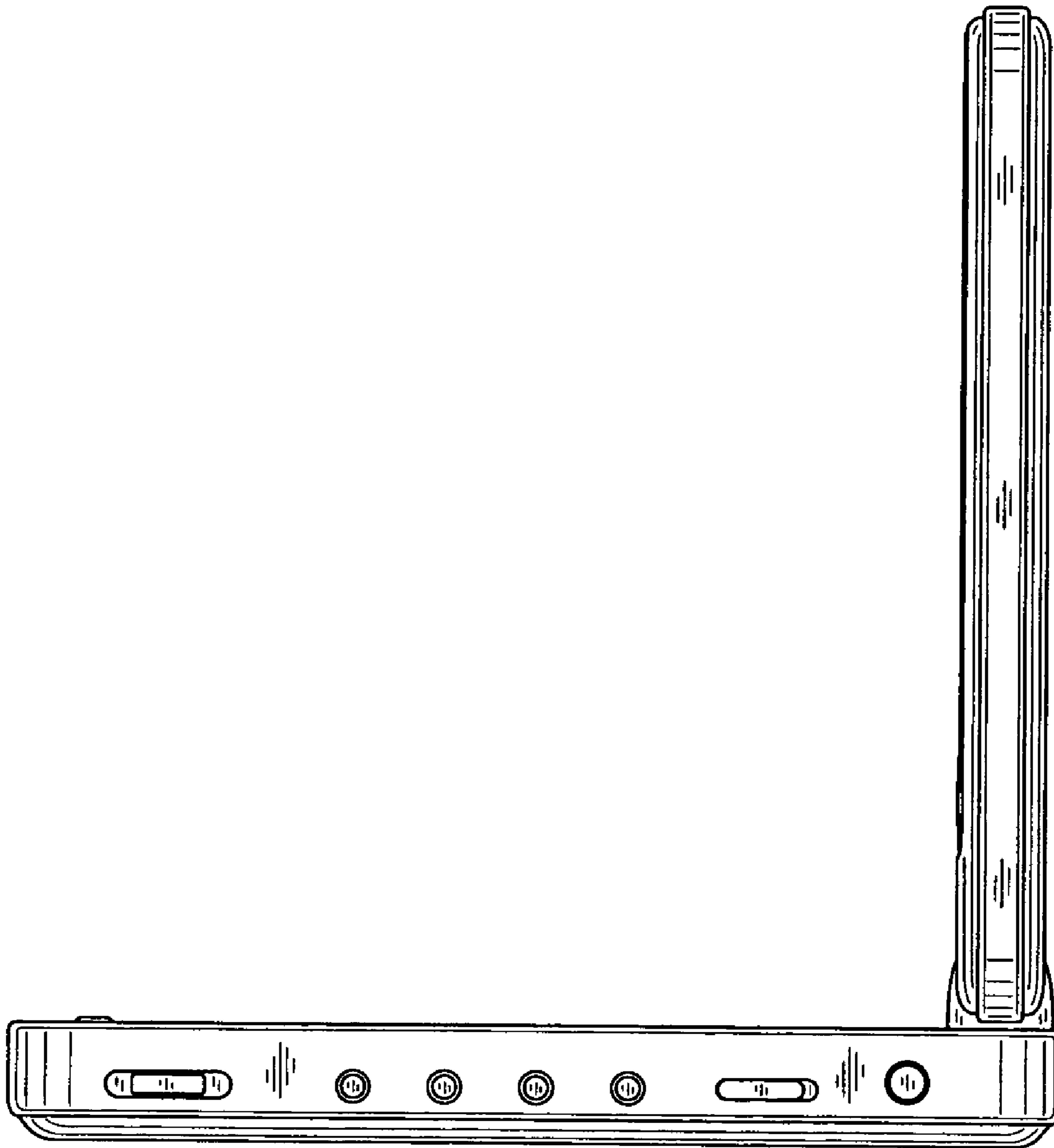


FIG. 5

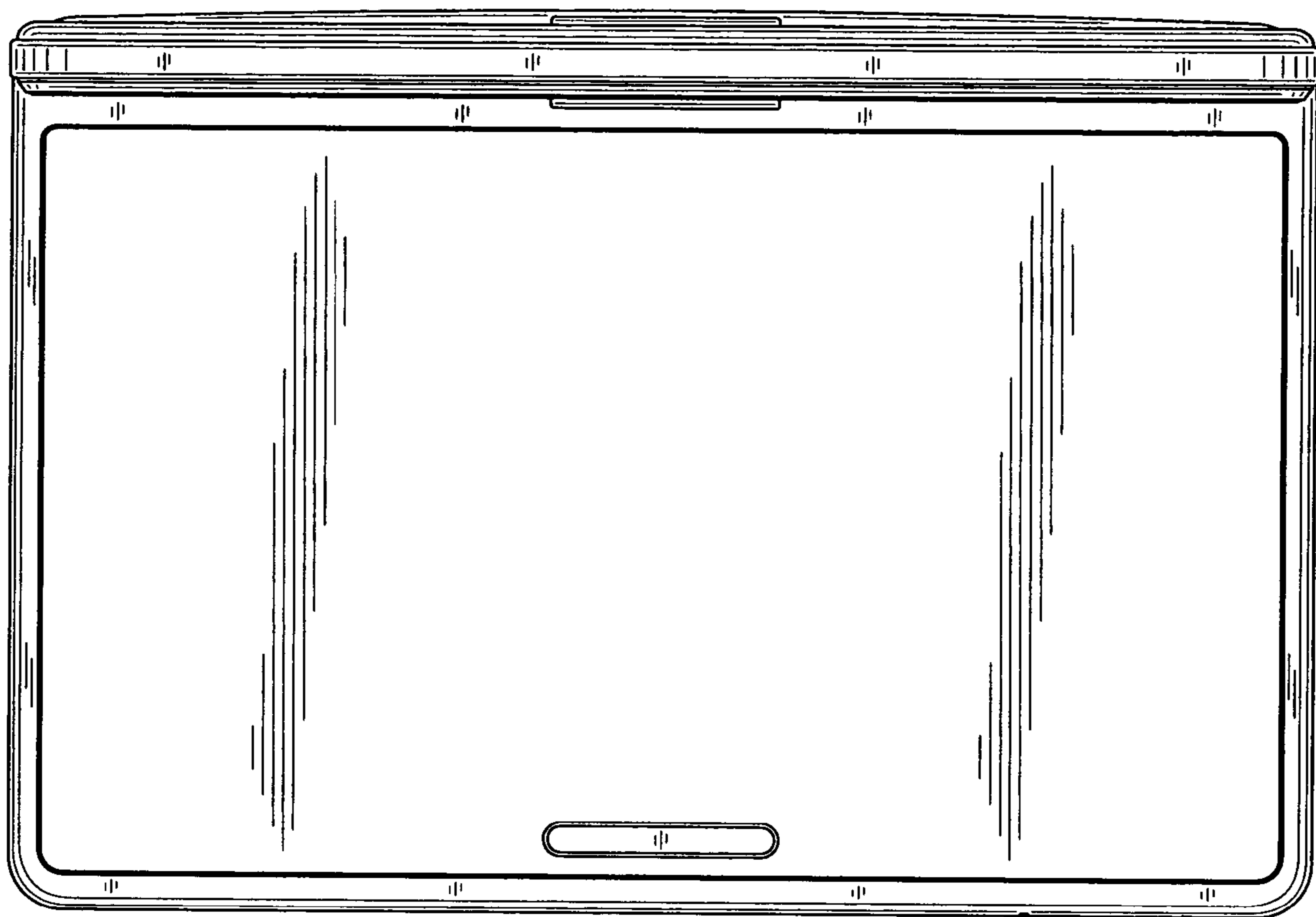


FIG. 6

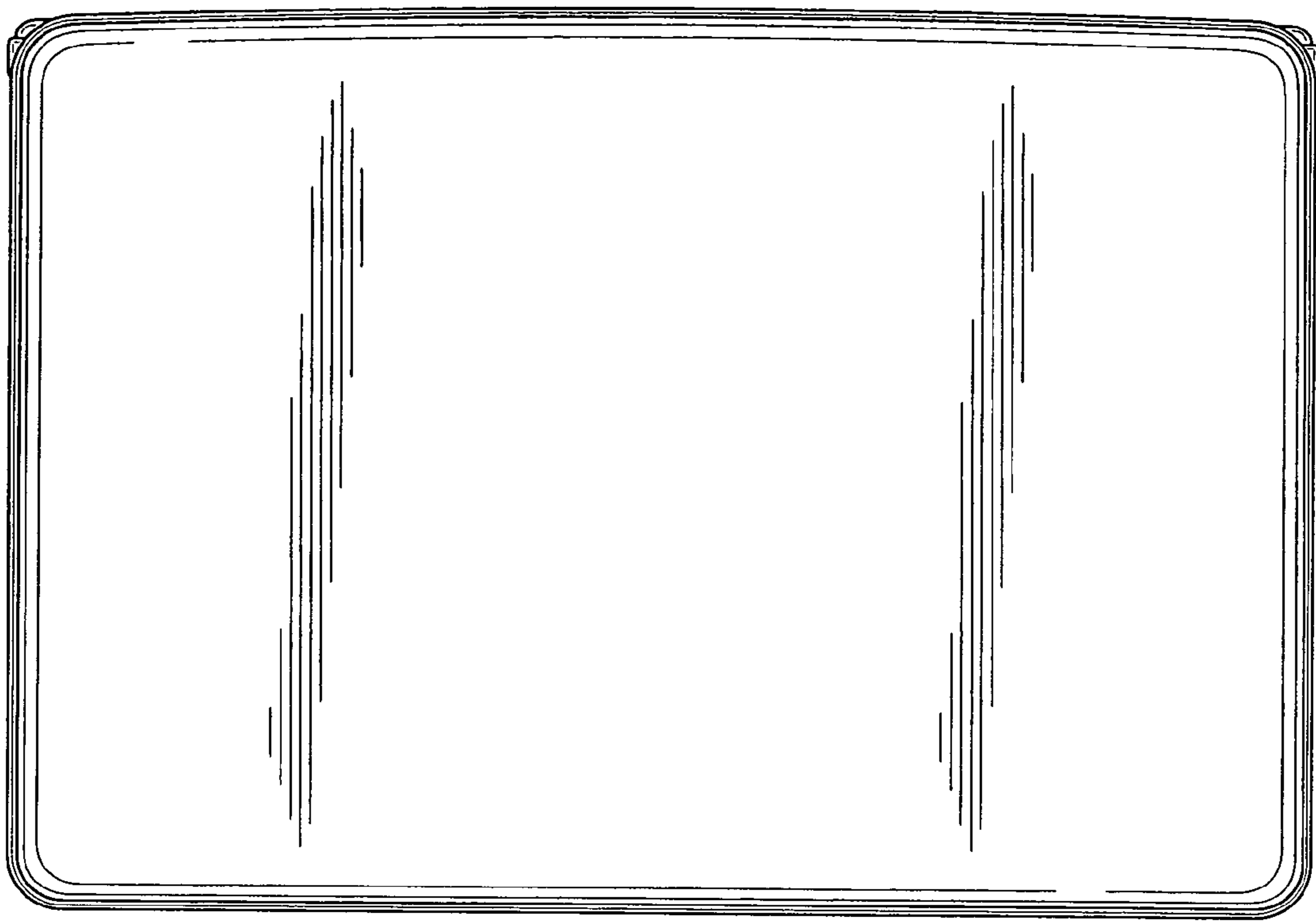


FIG. 7