

US00D553589S

(12) **United States Design Patent**
Fujiki

(10) **Patent No.:** **US D553,589 S**

(45) **Date of Patent:** **** Oct. 23, 2007**

(54) **TELEVISION RECEIVER**

D514,534 S * 2/2006 Yoo et al. D14/128

(75) Inventor: **Gen Fujiki**, Tokyo (JP)

OTHER PUBLICATIONS

(73) Assignee: **Sony Corporation**, Tokyo (JP)

U.S. Appl. No. 29/233,195, filed Jun. 30, 2005.

(**) Term: **14 Years**

* cited by examiner

(21) Appl. No.: **29/252,457**

Primary Examiner—Raphael Barkai

(22) Filed: **Jan. 24, 2006**

(74) *Attorney, Agent, or Firm*—Rader, Fishman & Grauer PLLC

(51) **LOC (8) Cl.** **14-03**

(57) **CLAIM**

(52) **U.S. Cl.** **D14/128**

The ornamental design for a television receiver, as shown.

(58) **Field of Classification Search** D14/125–134,
D14/239, 371, 136, 374–377; 312/7.2; 348/836,
348/838, 180, 184, 325, 739; 341/12; 248/917–924,
248/465; 345/104, 133, 156, 168, 87, 173;
369/99, 197; 455/344–347; D10/15, 26
See application file for complete search history.

DESCRIPTION

FIG. 1 is a perspective view of a television receiver showing my new design;
FIG. 2 is a front elevational view thereof;
FIG. 3 is a rear elevational view thereof;
FIG. 4 is a left side elevational view thereof;
FIG. 5 is a right side elevational view thereof;
FIG. 6 is a top plan view thereof; and,
FIG. 7 is a bottom plan view thereof.

(56) **References Cited**

U.S. PATENT DOCUMENTS

D486,456 S	2/2004	Fujiki
D504,669 S	5/2005	Fujiki
D511,754 S	11/2005	Hirano

1 Claim, 7 Drawing Sheets

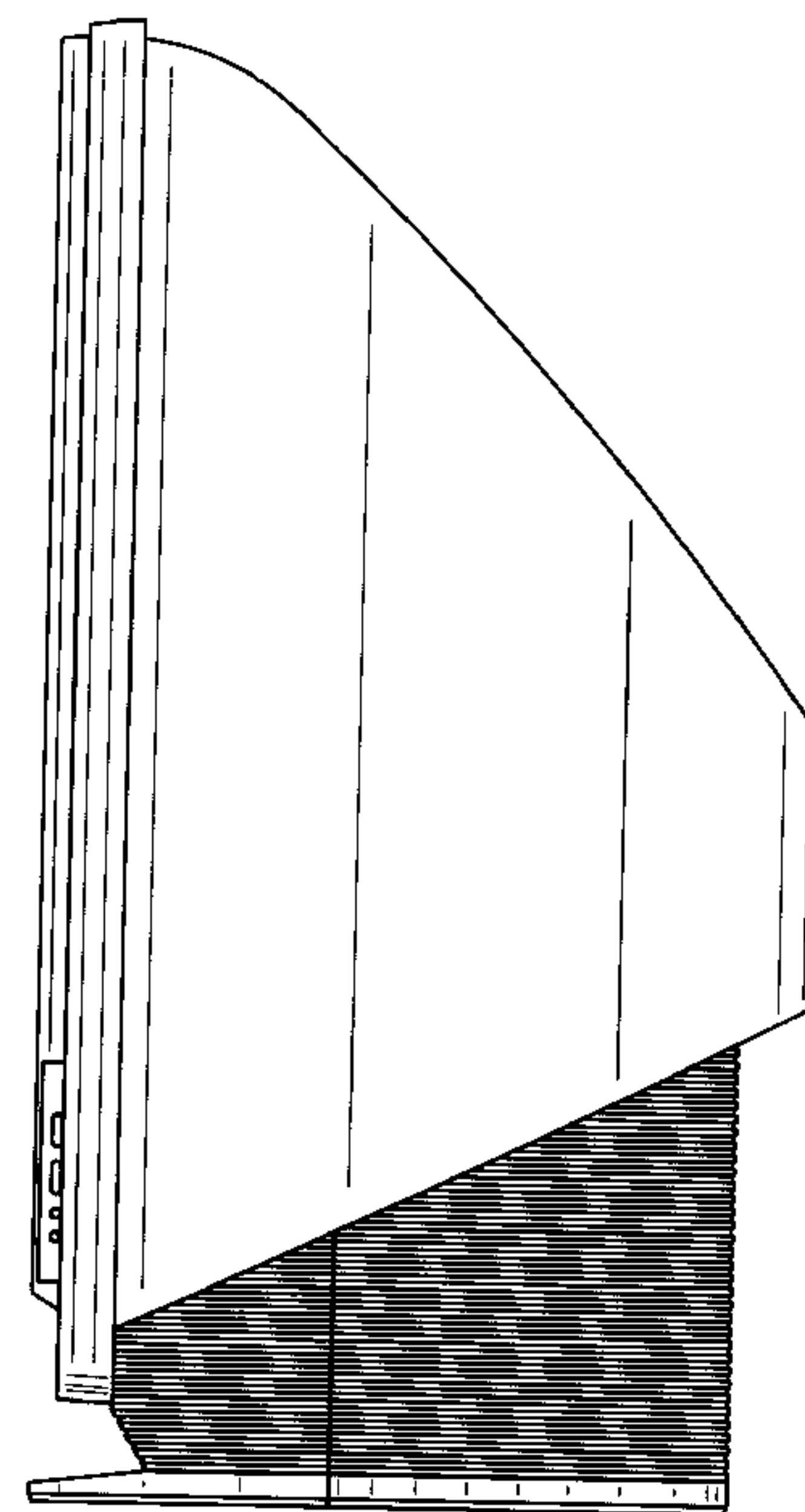
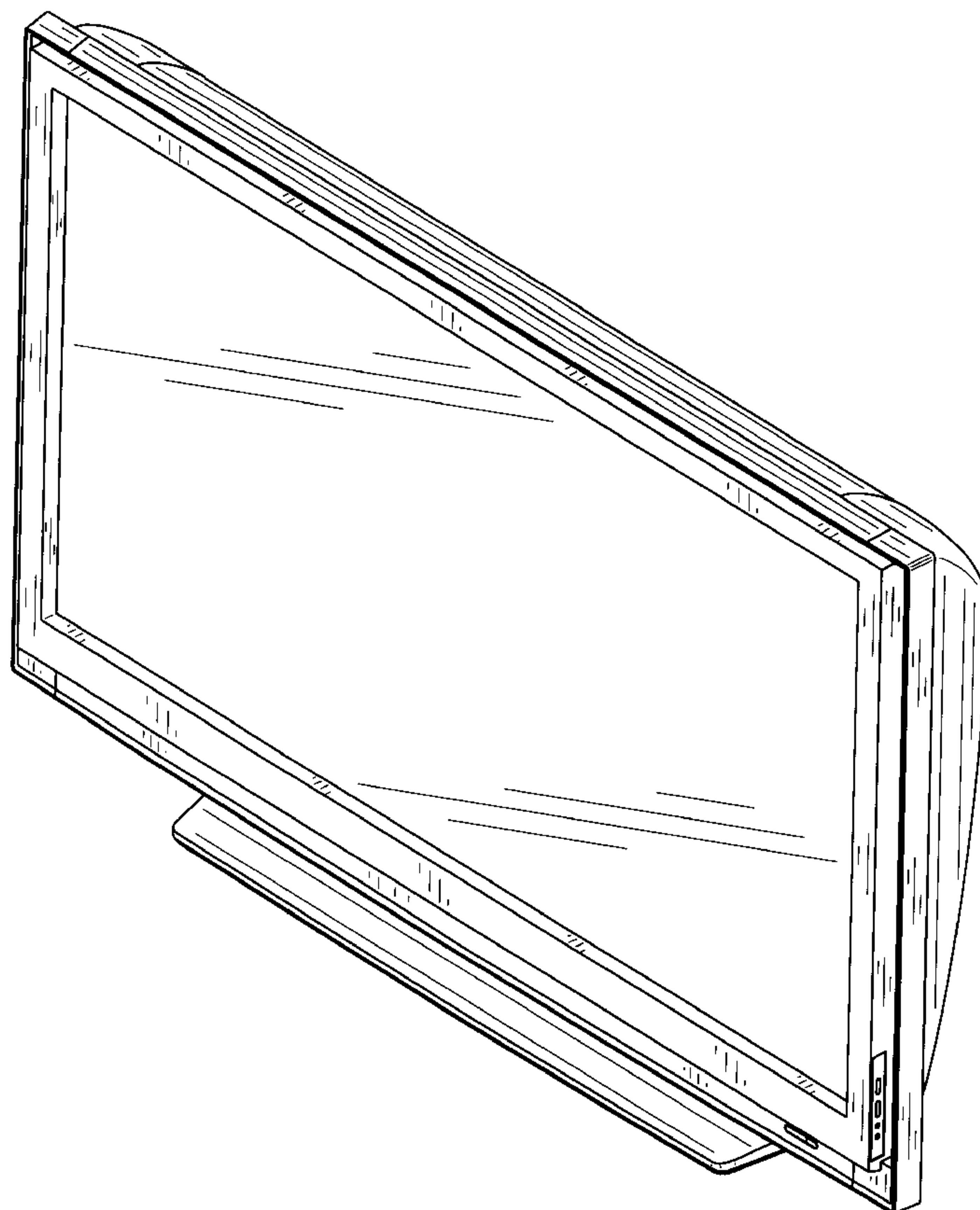


Fig. 1

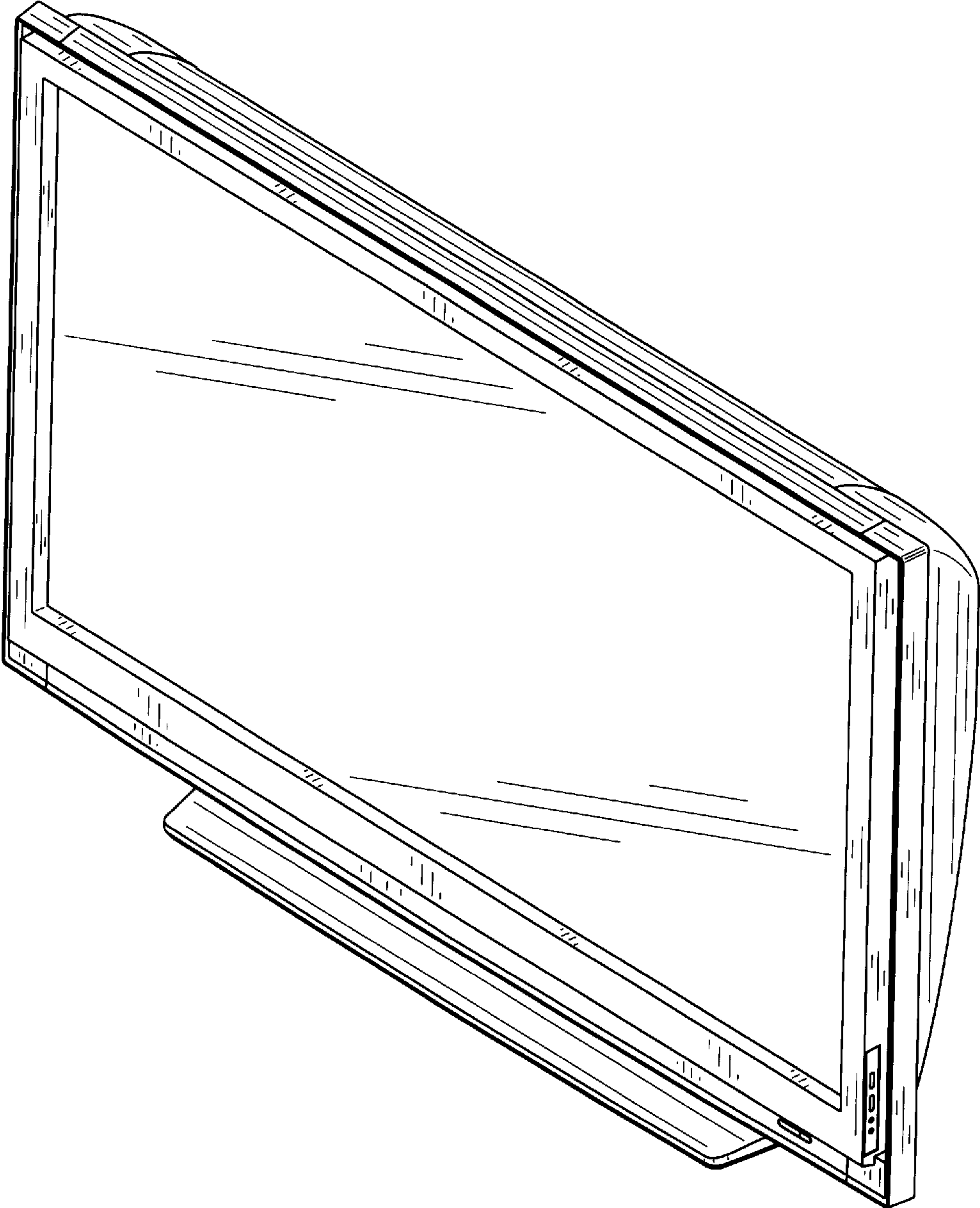


Fig.2

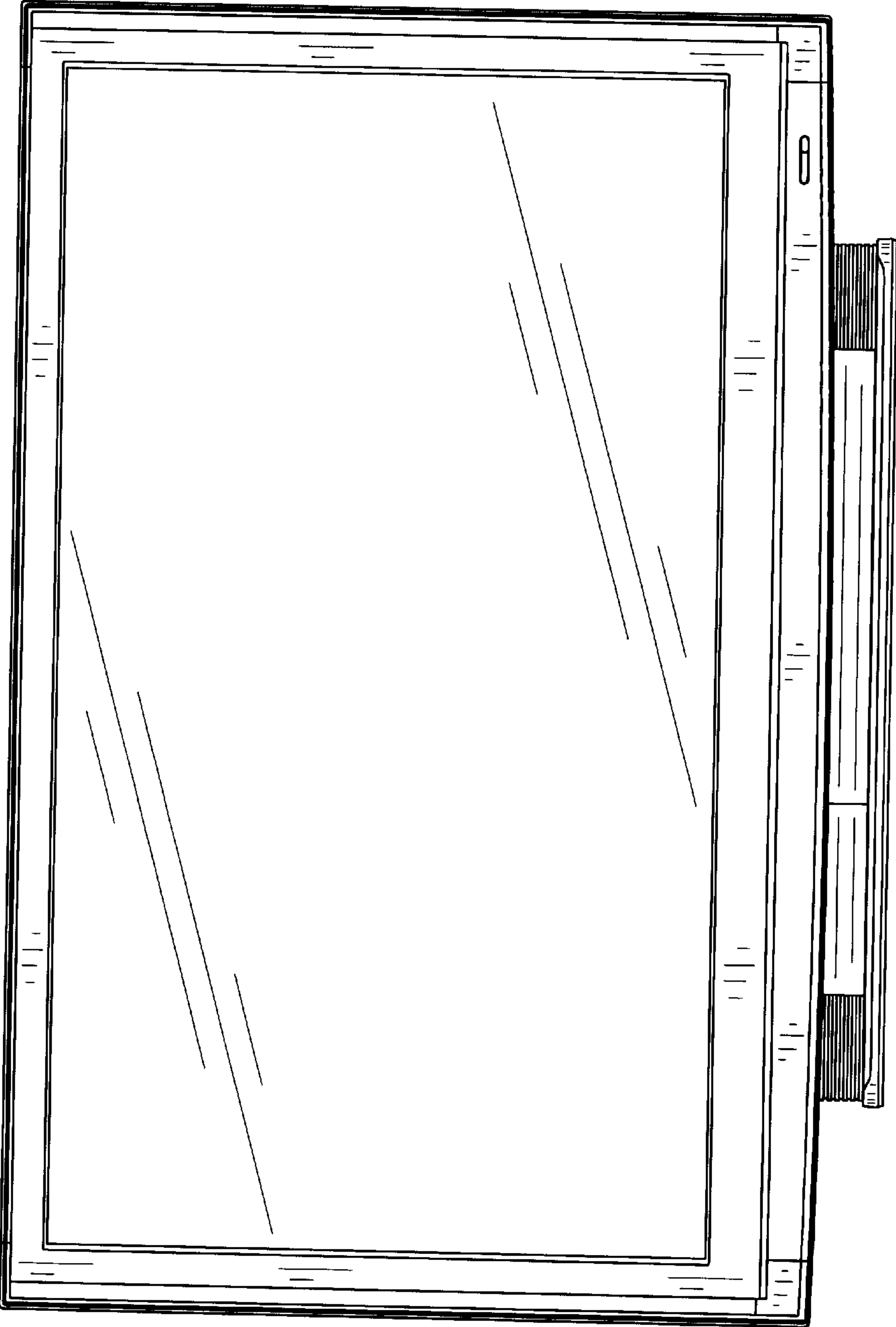


Fig.3

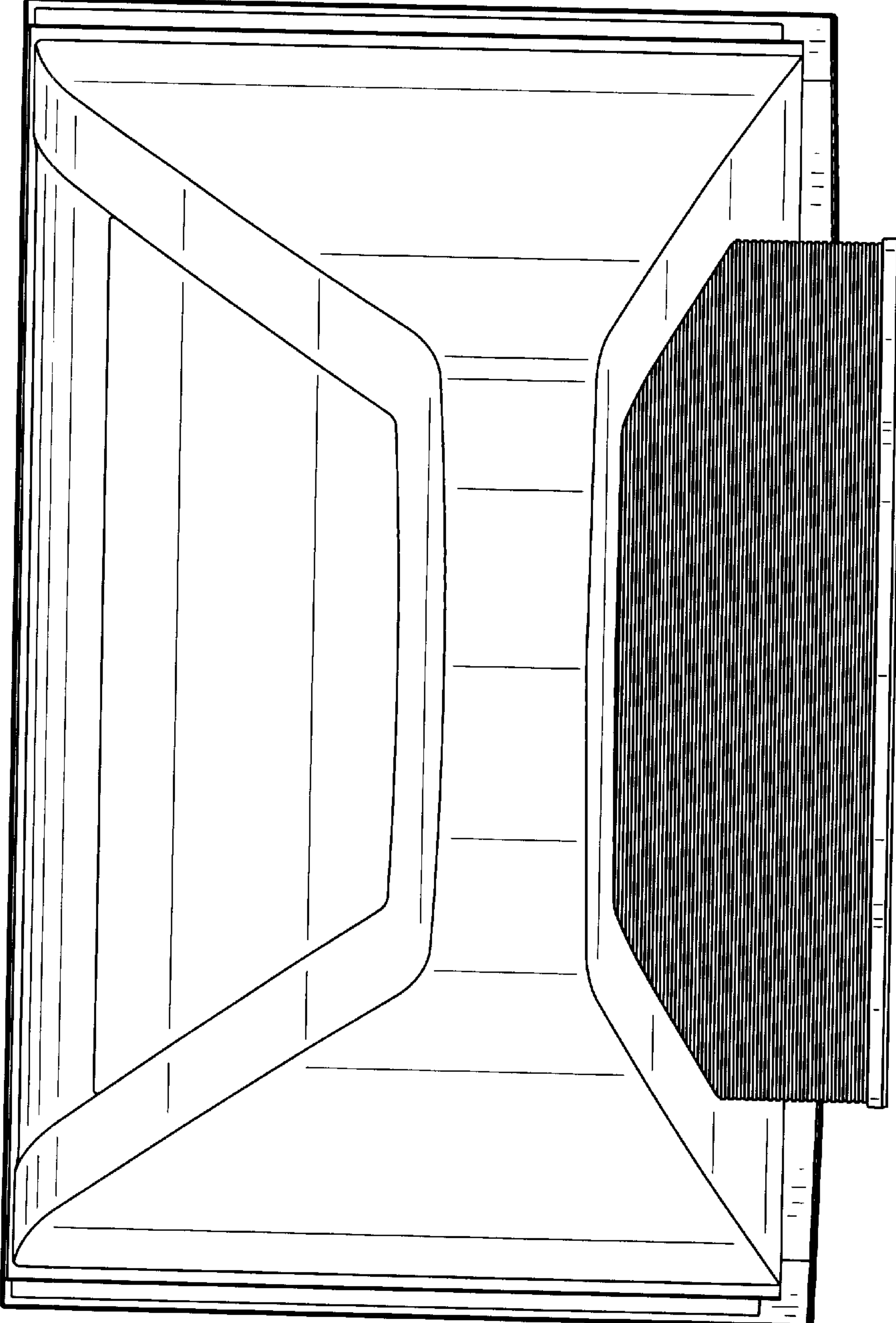


Fig.4

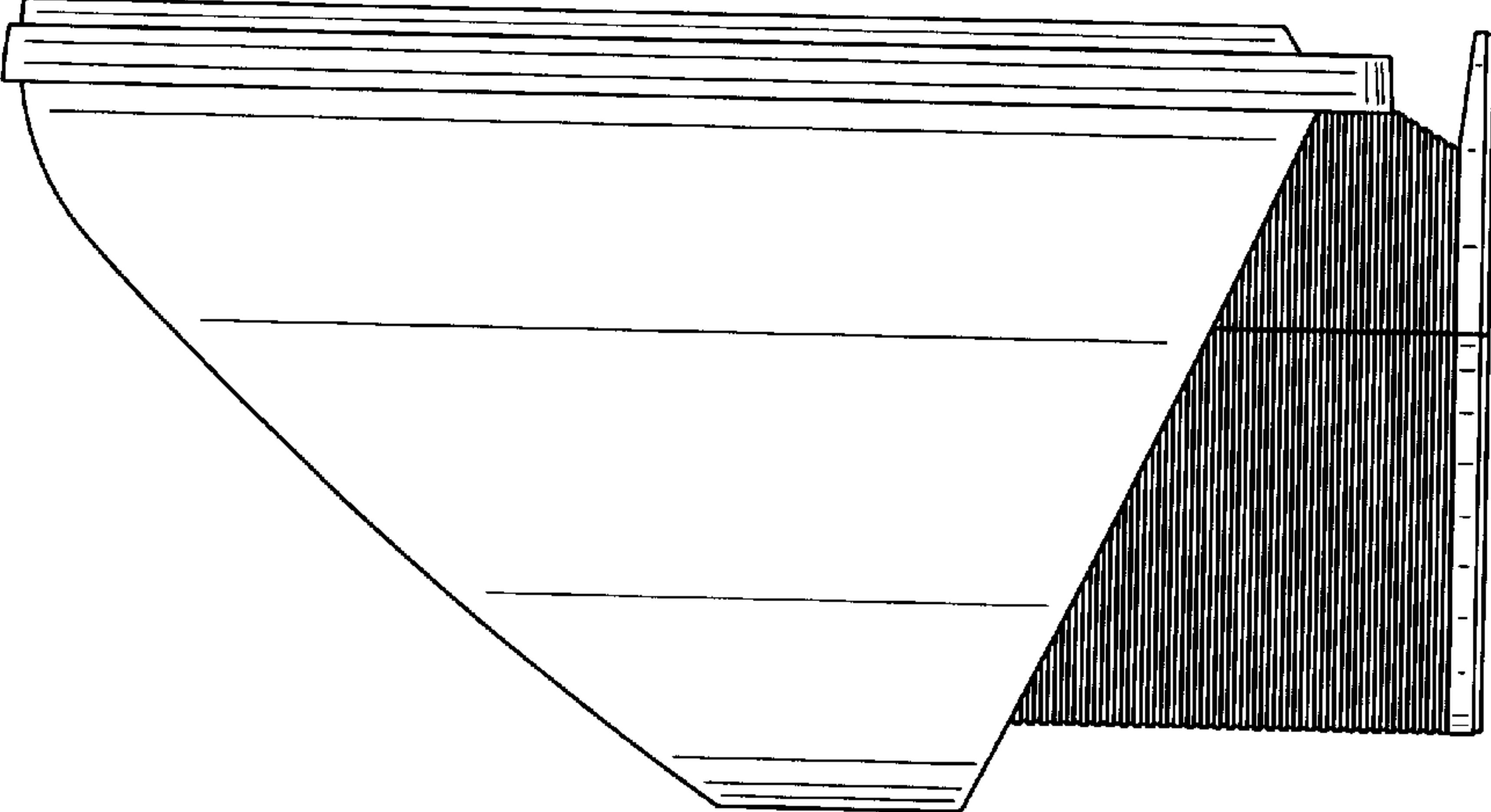


Fig.5

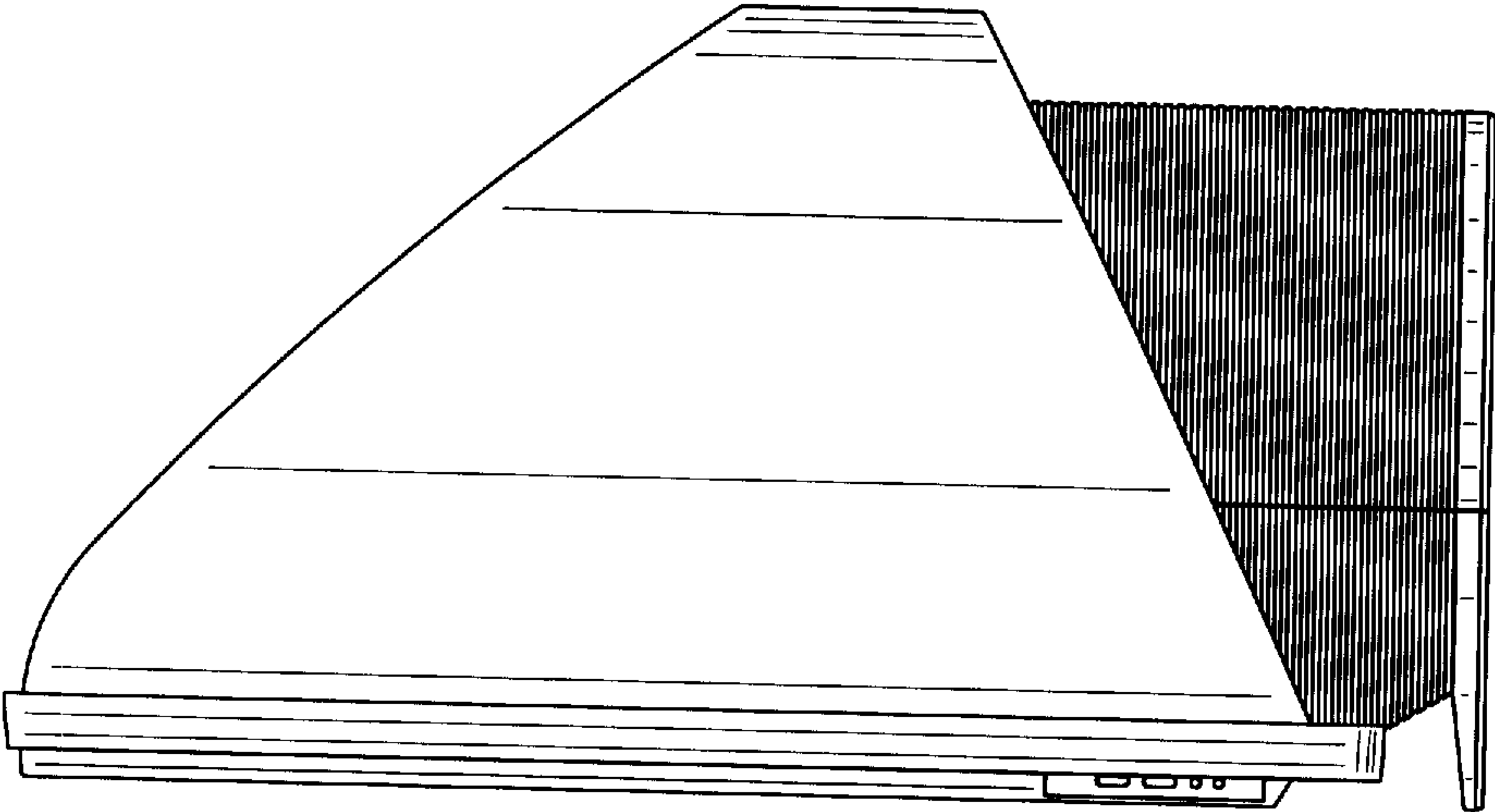


Fig.6

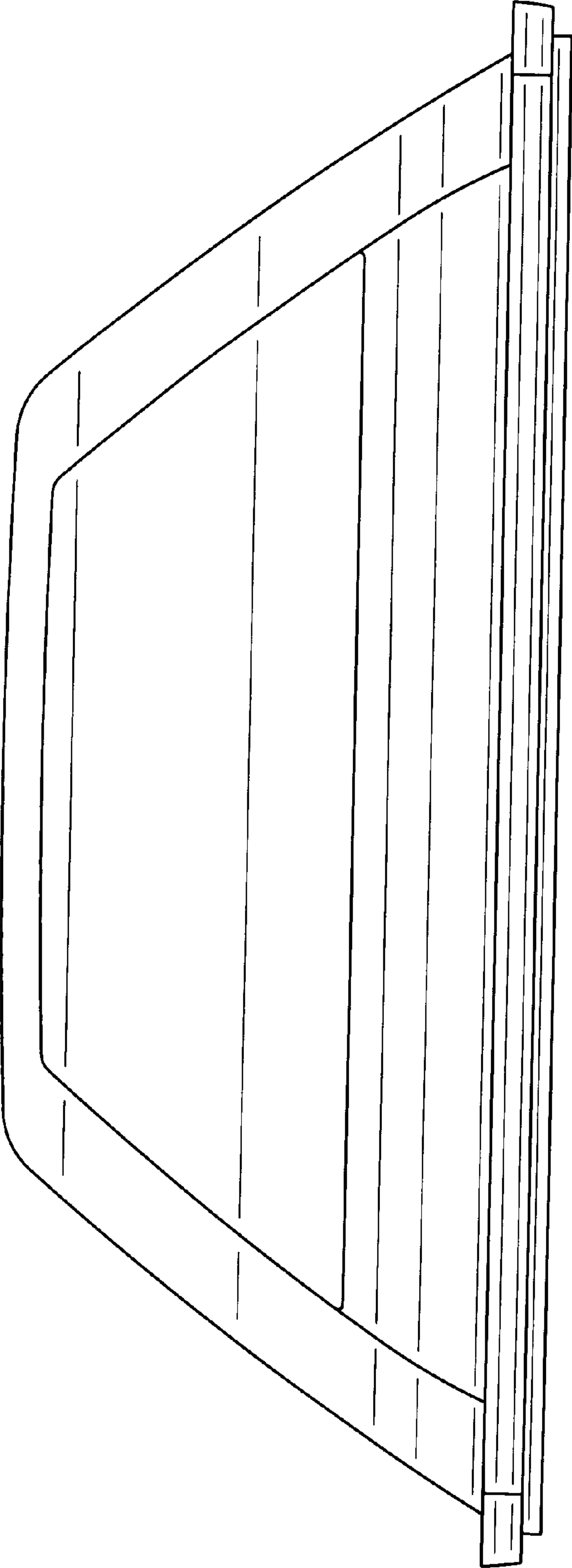


Fig. 7

