



US00D553588S

(12) **United States Design Patent**
Nakamura

(10) **Patent No.:** **US D553,588 S**
(45) **Date of Patent:** **** Oct. 23, 2007**

(54) **TELEVISION RECEIVER**

(75) Inventor: **Toshihiro Nakamura**, Tokyo (JP)

(73) Assignee: **Sony Corporation**, Tokyo (JP)

(**) Term: **14 Years**

(21) Appl. No.: **29/233,196**

(22) Filed: **Jun. 30, 2005**

(30) **Foreign Application Priority Data**

Feb. 18, 2005 (JP) D2005-004466

(51) **LOC (8) Cl.** **14-03**

(52) **U.S. Cl.** **D14/128**

(58) **Field of Classification Search** D14/125-134,
D14/239, 371, 136, 374-377; 312/7.2; 348/836,
348/838, 180, 184, 325, 739; 341/12; 248/917-924,
248/465; 345/104, 133, 156, 168, 87, 173;
720/605, 669, 600, 655; 369/99, 197; 455/344-347
See application file for complete search history.

(56) **References Cited**

U.S. PATENT DOCUMENTS

D489,042 S * 4/2004 Joe et al. D14/126
D514,537 S * 2/2006 Villalobos et al. D14/128
D515,048 S * 2/2006 Villalobos et al. D14/128
D535,267 S * 1/2007 Kang et al. D14/128

OTHER PUBLICATIONS

U.S. Appl. No. 29/230,265, filed Apr. 13, 2004.
U.S. Appl. No. 29/218,248, filed Nov. 30, 2004.
U.S. Appl. No. 29/218,150, filed Nov. 30, 2004.
U.S. Appl. No. 29/222,344, filed Jan. 31, 2005.
U.S. Appl. No. 29/223,130, filed Feb. 10, 2005.

U.S. Appl. No. 29/223,129, filed Feb. 10, 2005.
U.S. Appl. No. 29/223,128, filed Feb. 10, 2005.

* cited by examiner

Primary Examiner—Raphael Barkai

(74) *Attorney, Agent, or Firm*—Rader, Fishman & Grauer
PLLC

(57) **CLAIM**

The ornamental design for a television receiver, as shown
and described.

DESCRIPTION

FIG. 1 is a perspective view of a television receiver showing
my new design;

FIG. 2 is a front elevational view thereof; and

FIG. 3 is a top plan view thereof;

Portions of FIGS. 1-3 that are shown as broken lines are for
illustrative purpose only and form no part of the claimed
design.

FIG. 4 is a left side elevational view thereof;

FIG. 5 is a right side elevational view thereof;

FIG. 6 is a reference rear elevational view thereof;

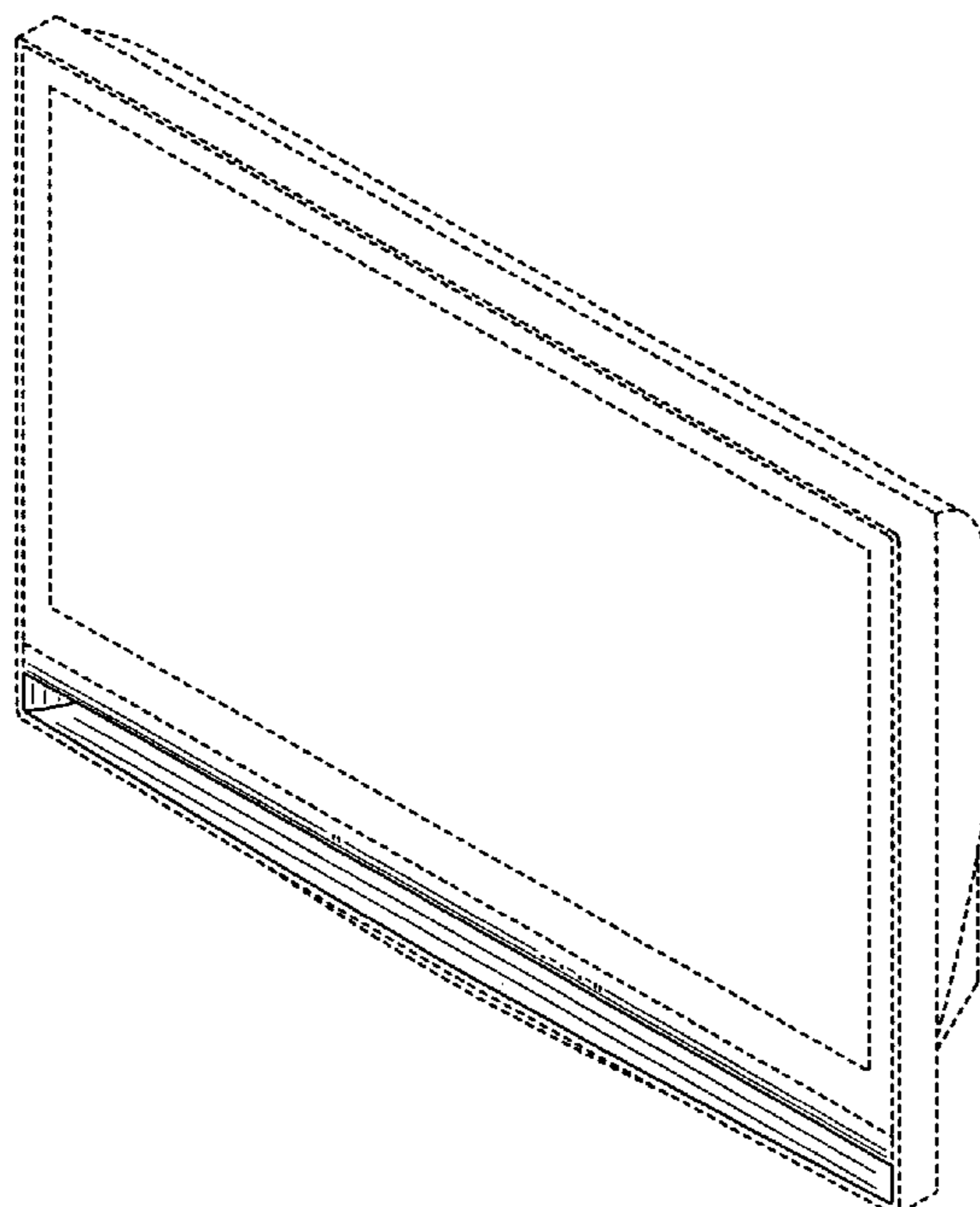
FIG. 7 is a reference bottom plan view thereof;

FIG. 8 is a reference front elevational view thereof, showing
a line IX-IX; and,

FIG. 9 is a reference cross-sectional view thereof, taken
along the line IX-IX.

FIGS. 8 and 9 are for illustrative purposes only and form no
part of the claimed design.

1 Claim, 9 Drawing Sheets



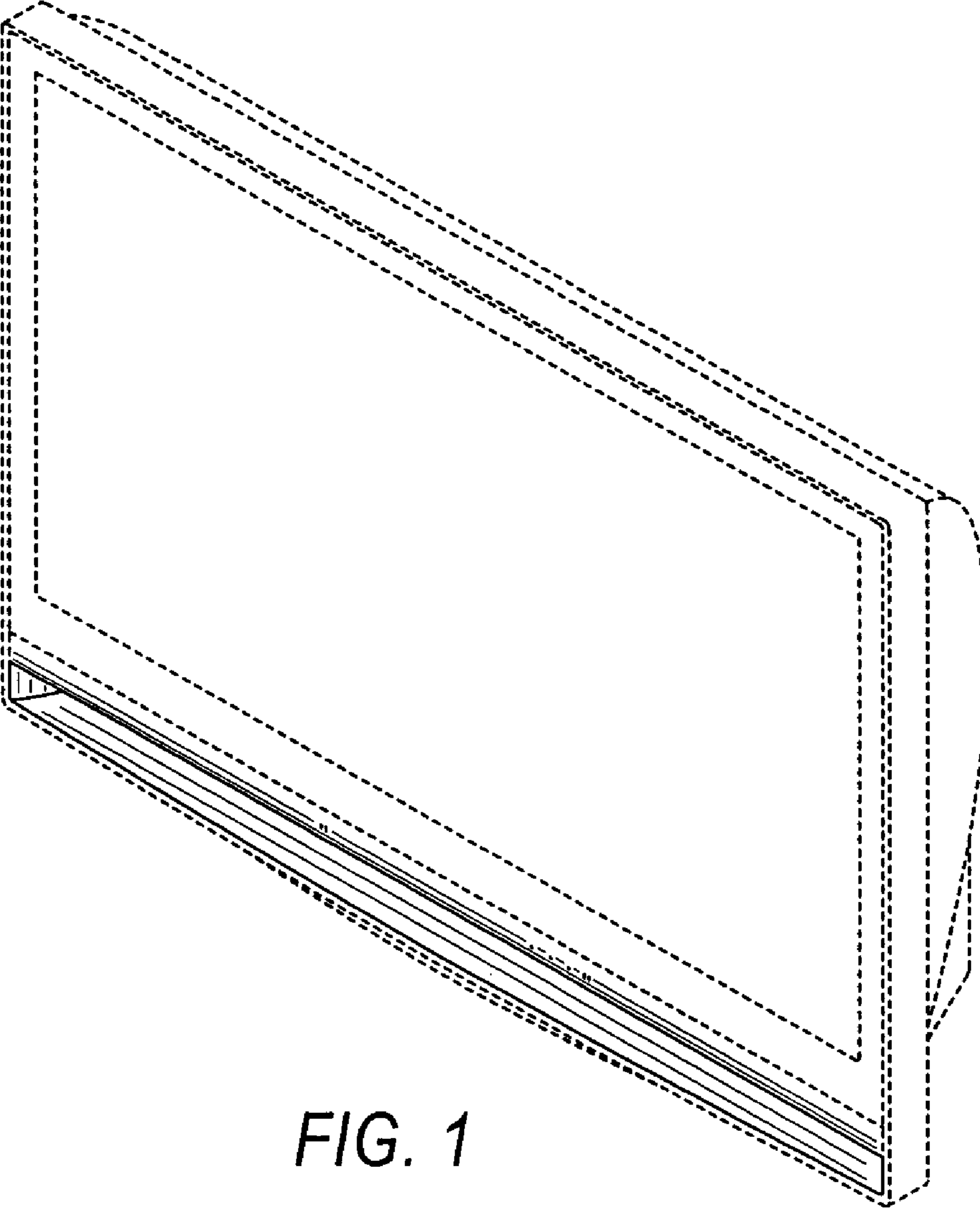


FIG. 1

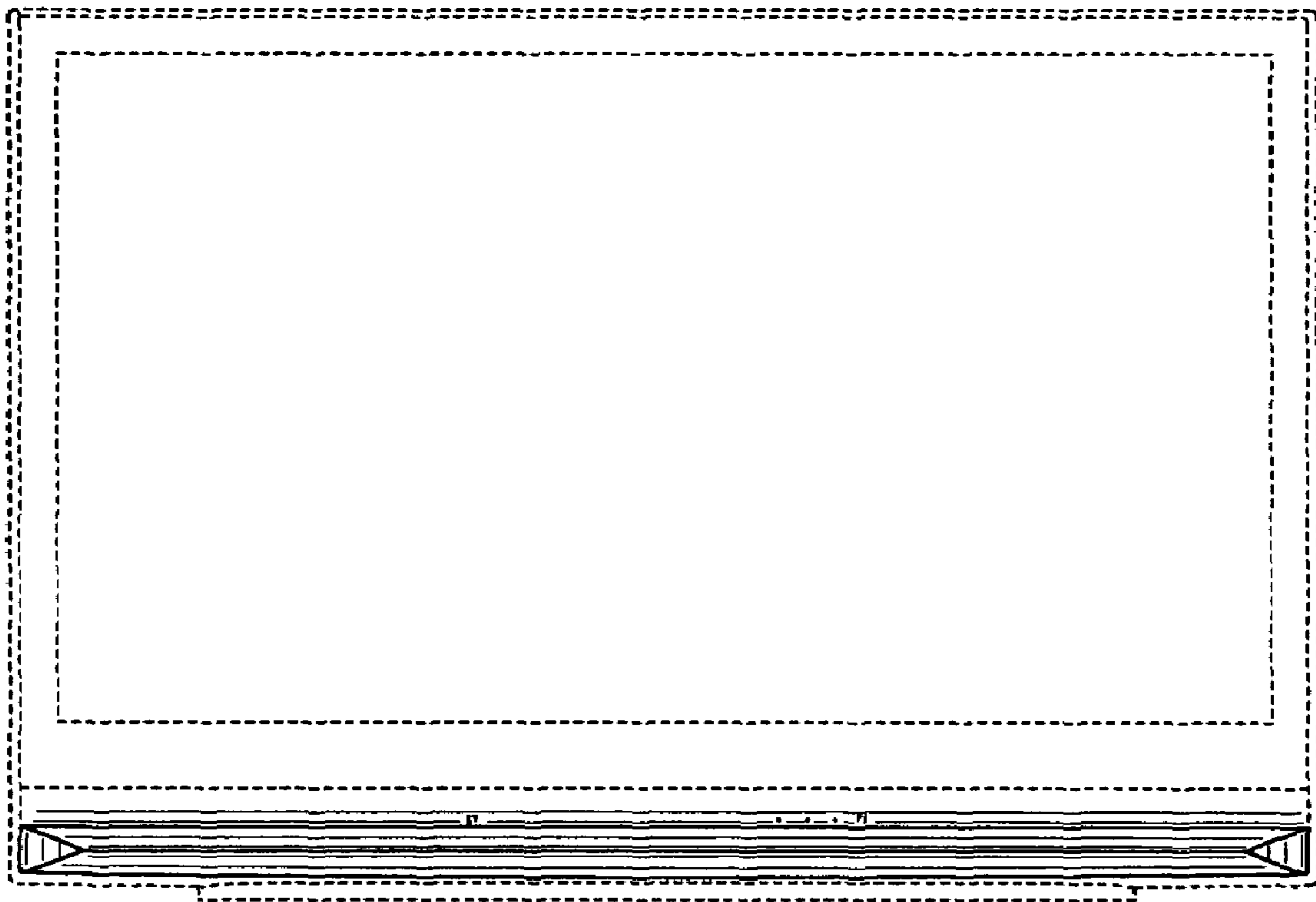


FIG. 2



FIG. 3

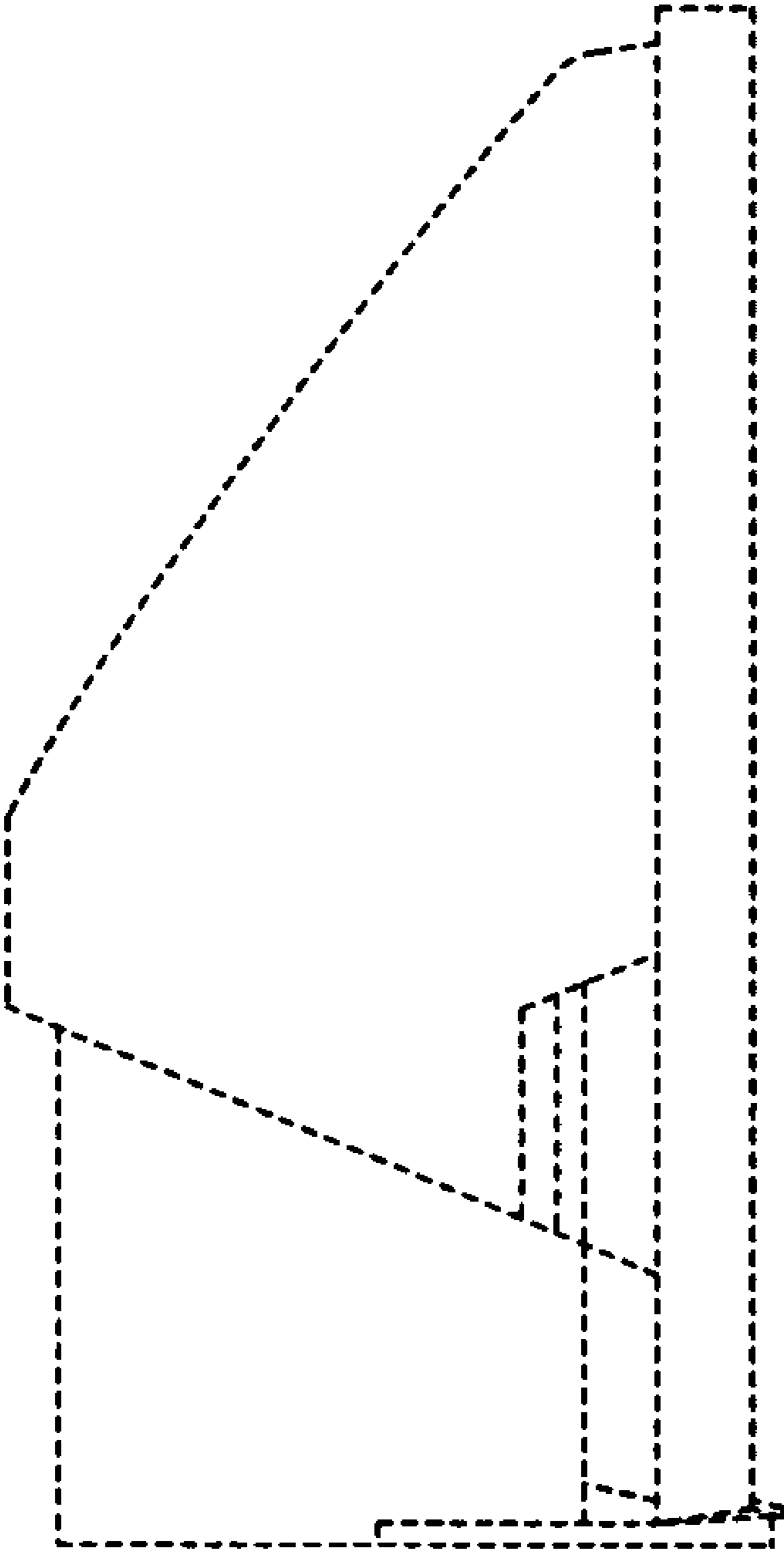


FIG. 4

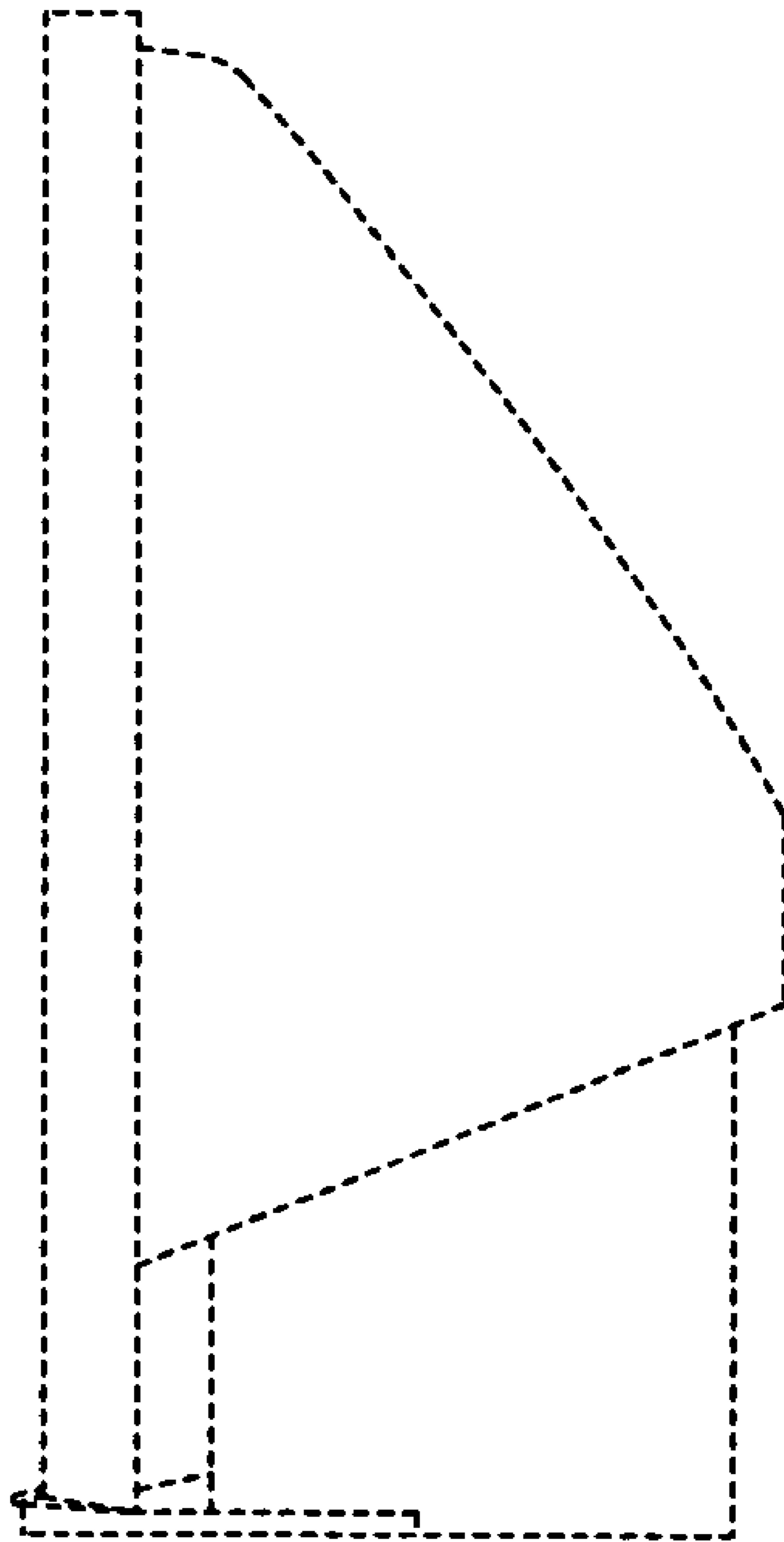


FIG. 5

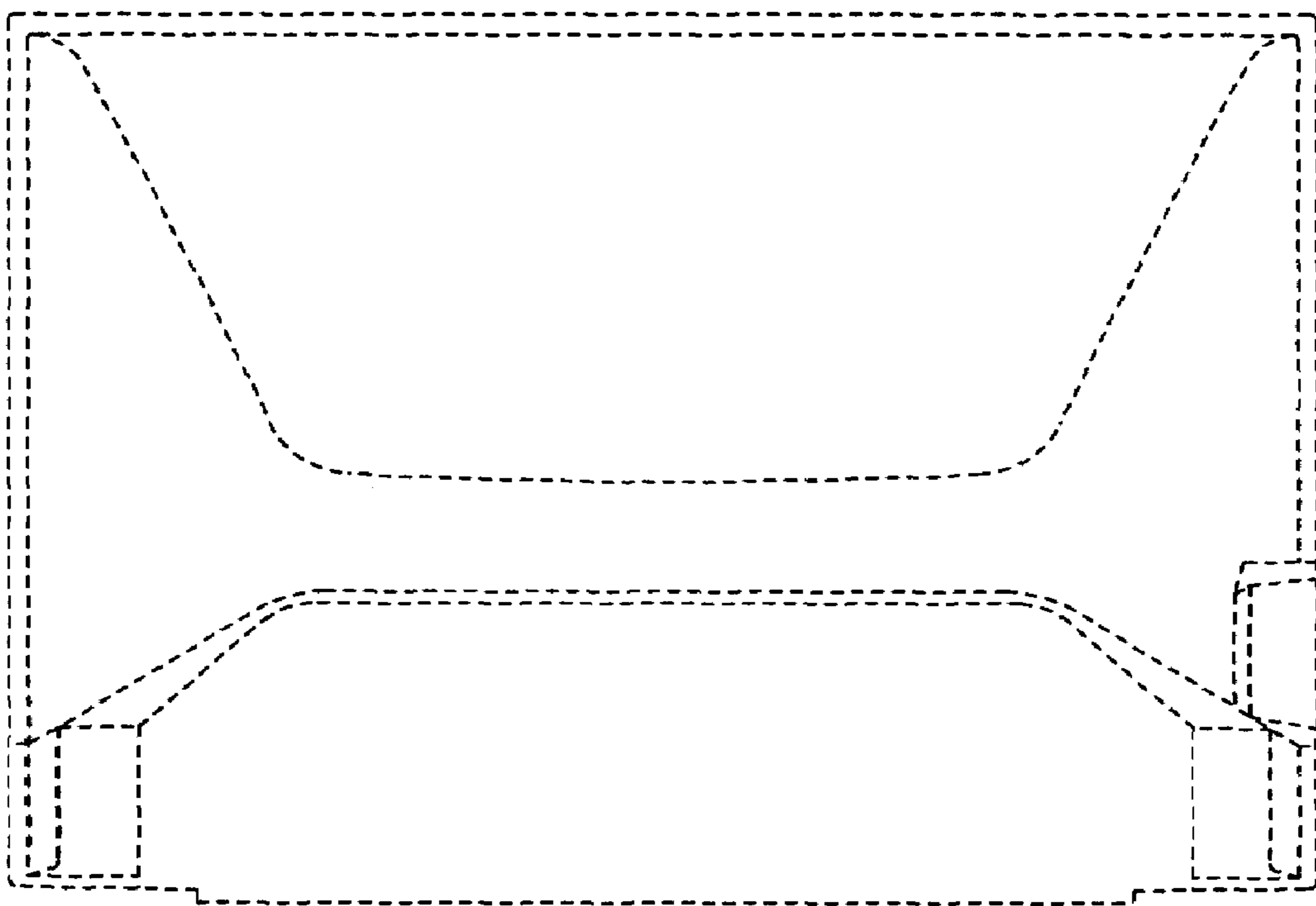


FIG. 6

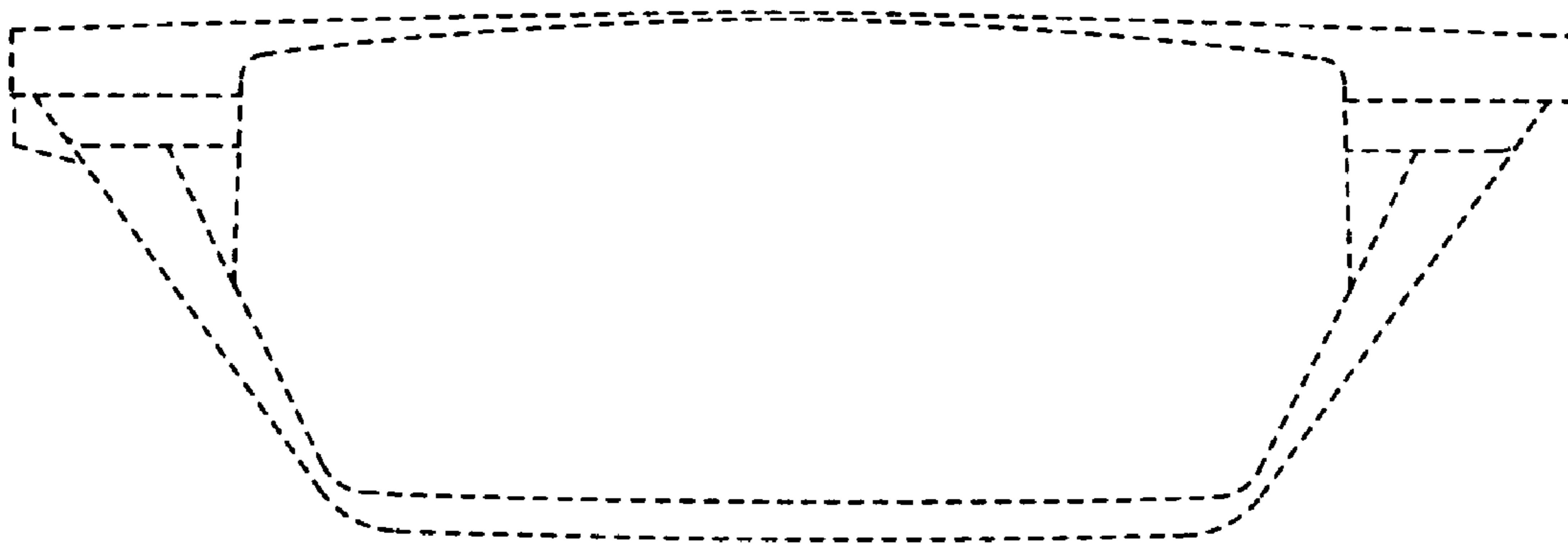
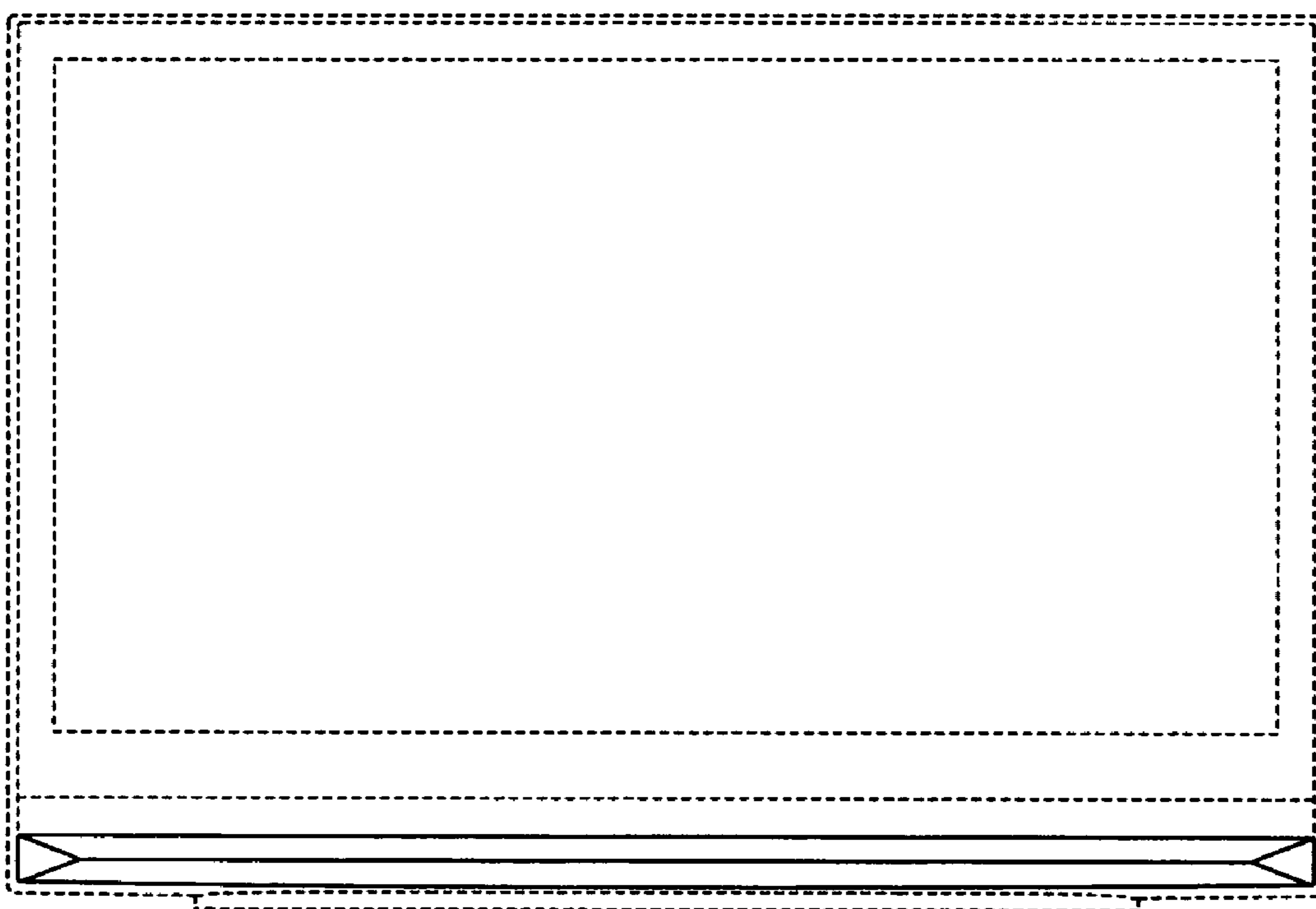


FIG. 7

← IX



← IX

FIG. 8

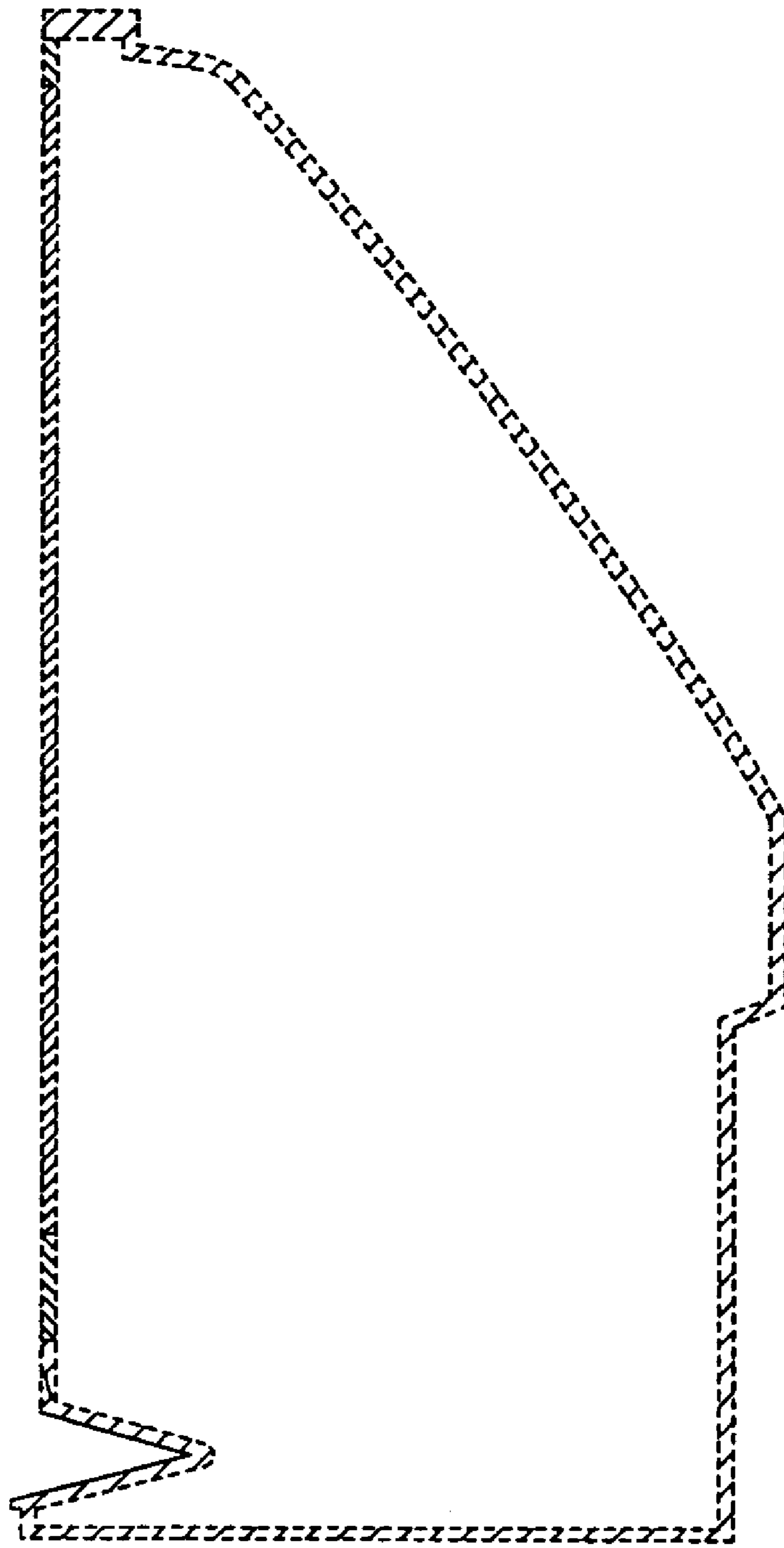


FIG. 9