



US00D553585S

(12) **United States Design Patent**
Millar et al.

(10) **Patent No.:** **US D553,585 S**

(45) **Date of Patent:** **** Oct. 23, 2007**

(54) **CONTROLLER**

(75) Inventors: **Greg Max Millar**, Coarsegold, CA (US); **Richard Todd Boswell**, Fresno, CA (US)

(73) Assignee: **Pelco**, Clovis, CA (US)

(**) Term: **14 Years**

(21) Appl. No.: **29/285,510**

(22) Filed: **Mar. 29, 2007**

(51) **LOC (8) Cl.** **13-03**

(52) **U.S. Cl.** **D13/164**

(58) **Field of Classification Search** D13/169, D13/125, 158, 162, 163, 164, 177, 184; D14/137, D14/441, 443; D10/46-50, 96, 106, 125; 200/308, 520, 5 A, 5 R

See application file for complete search history.

(56) **References Cited**

U.S. PATENT DOCUMENTS

D355,450 S *	2/1995	Ho	D14/401
D373,149 S *	8/1996	Kawasaki	D14/401
D432,995 S *	10/2000	Hubler et al.	D13/162
D460,052 S *	7/2002	Olen	D13/168
D476,972 S *	7/2003	Cohen	D14/217
D506,758 S *	6/2005	Boswell et al.	D14/413
D522,011 S *	5/2006	Hayes et al.	D14/454

D524,812 S *	7/2006	Hussaini et al.	D14/413
D526,623 S *	8/2006	Yin et al.	D13/168
D528,990 S *	9/2006	Li	D13/168
D534,501 S *	1/2007	Yao	D13/168

* cited by examiner

Primary Examiner—Selina Sikder

Assistant Examiner—Thomas J Johannes

(74) *Attorney, Agent, or Firm*—Paul T. Kashimba, Esq.

(57) **CLAIM**

The ornamental design for controller, as shown and described.

DESCRIPTION

FIG. 1 is a front perspective view of a controller showing the new design;

FIG. 2 is a front elevational view thereof;

FIG. 3 is a left side elevational view thereof;

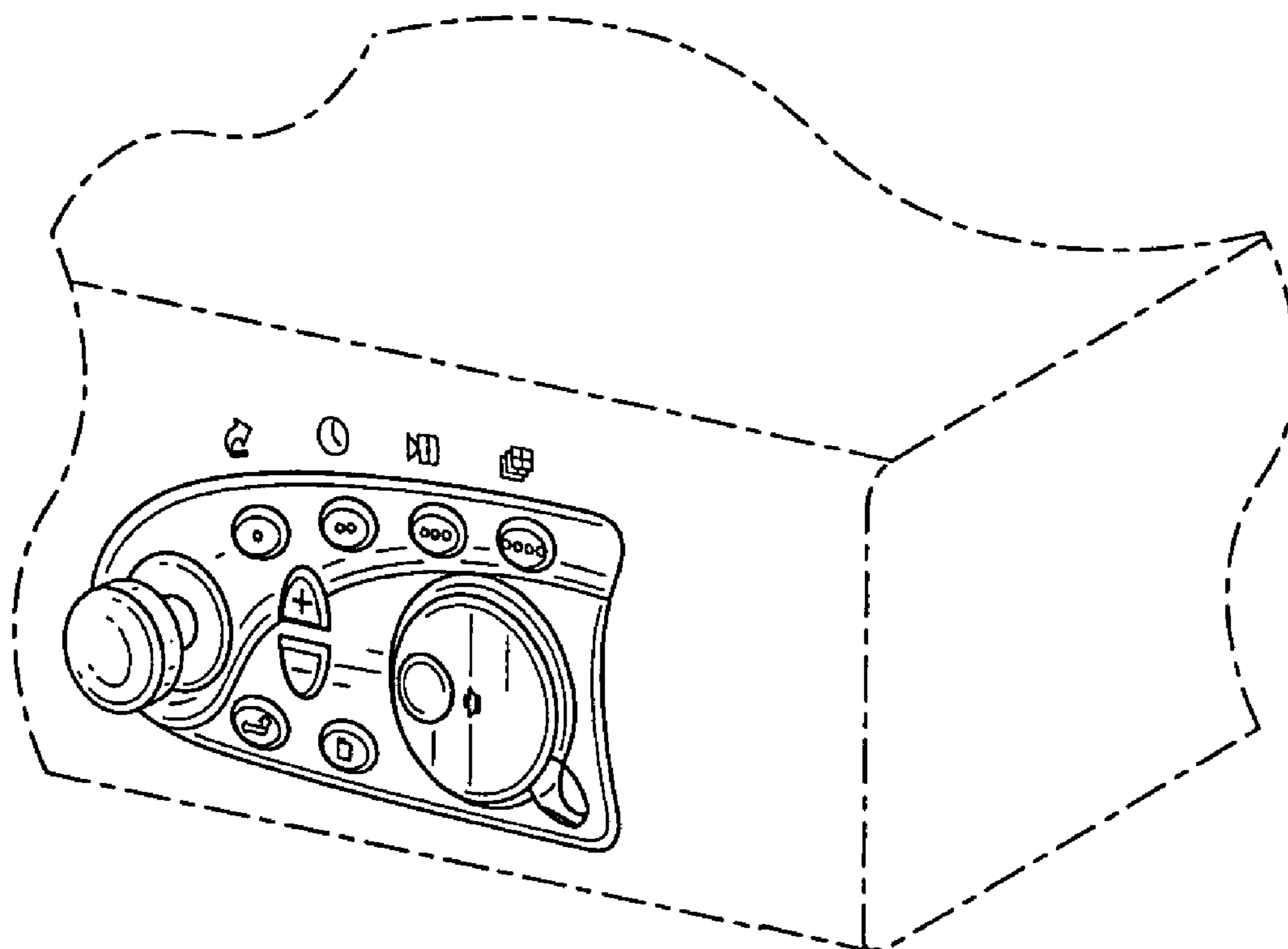
FIG. 4 is a right side elevational view thereof;

FIG. 5 is a top plan view thereof; and,

FIG. 6 is a bottom plan view thereof.

The broken lines in FIGS. 1-6 showing a portion of a housing are illustrative of the environmental structure only and do not form a part of the claimed design.

1 Claim, 6 Drawing Sheets



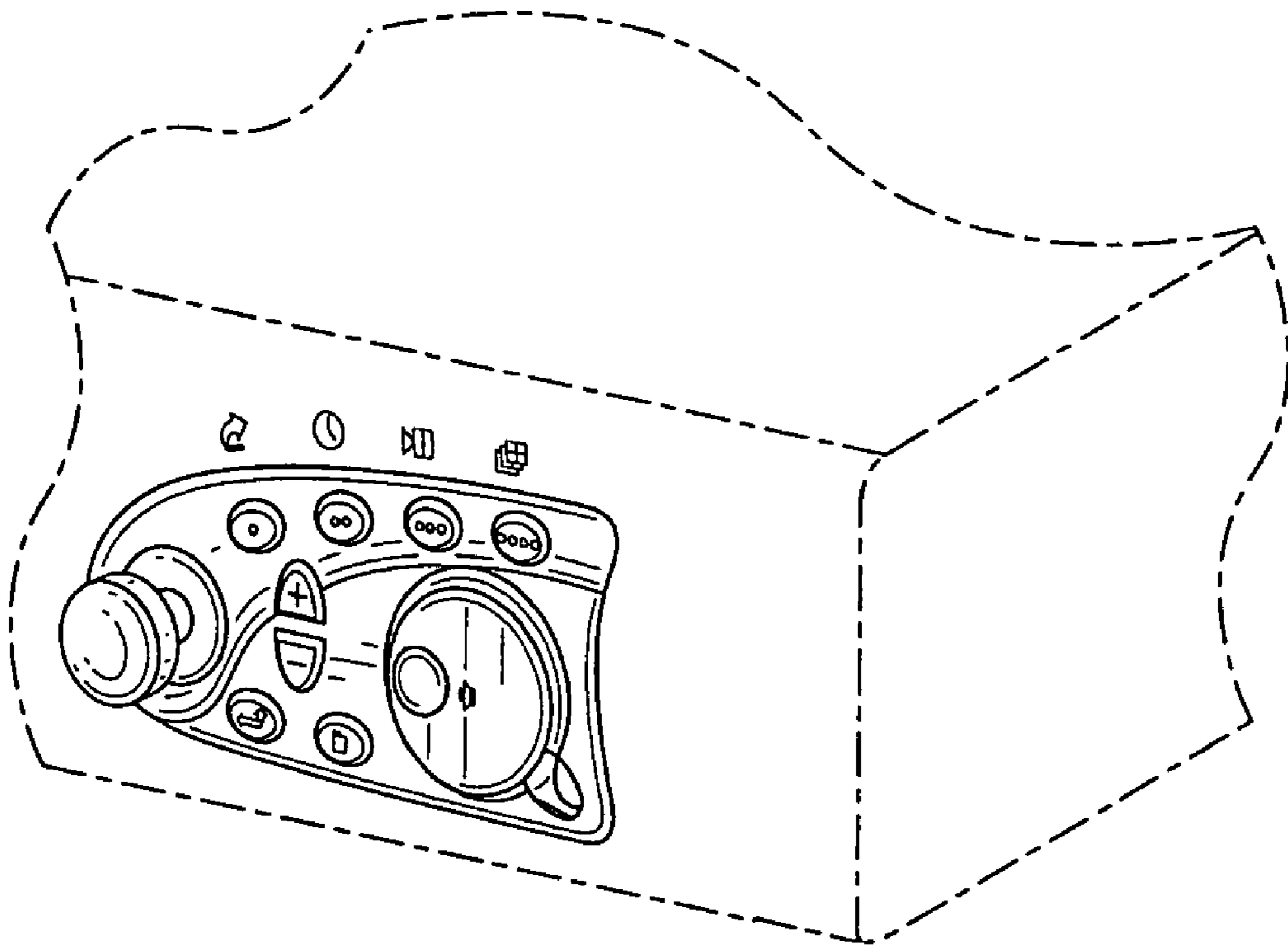


FIG. 1

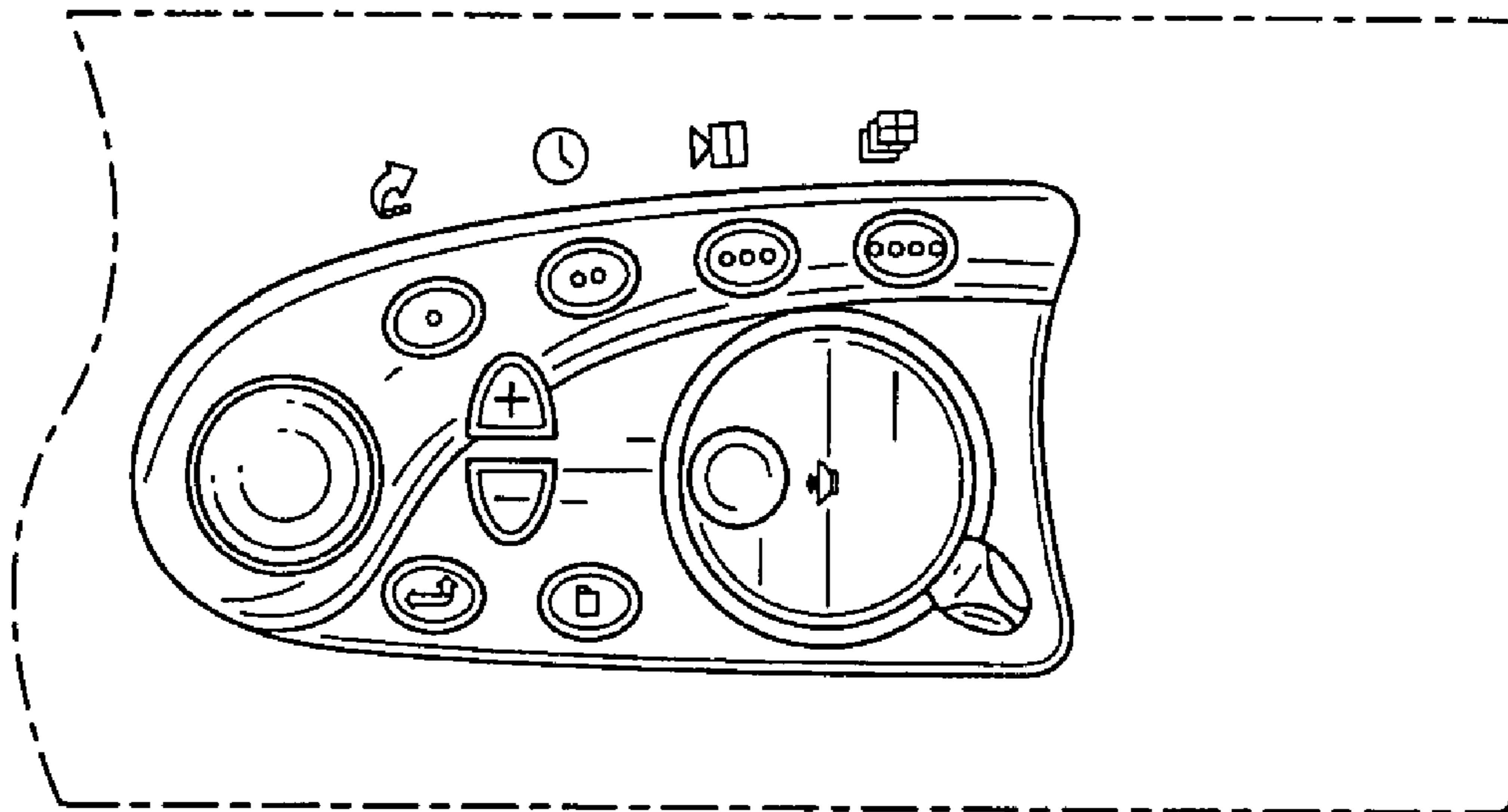


FIG. 2



FIG. 3



FIG. 4

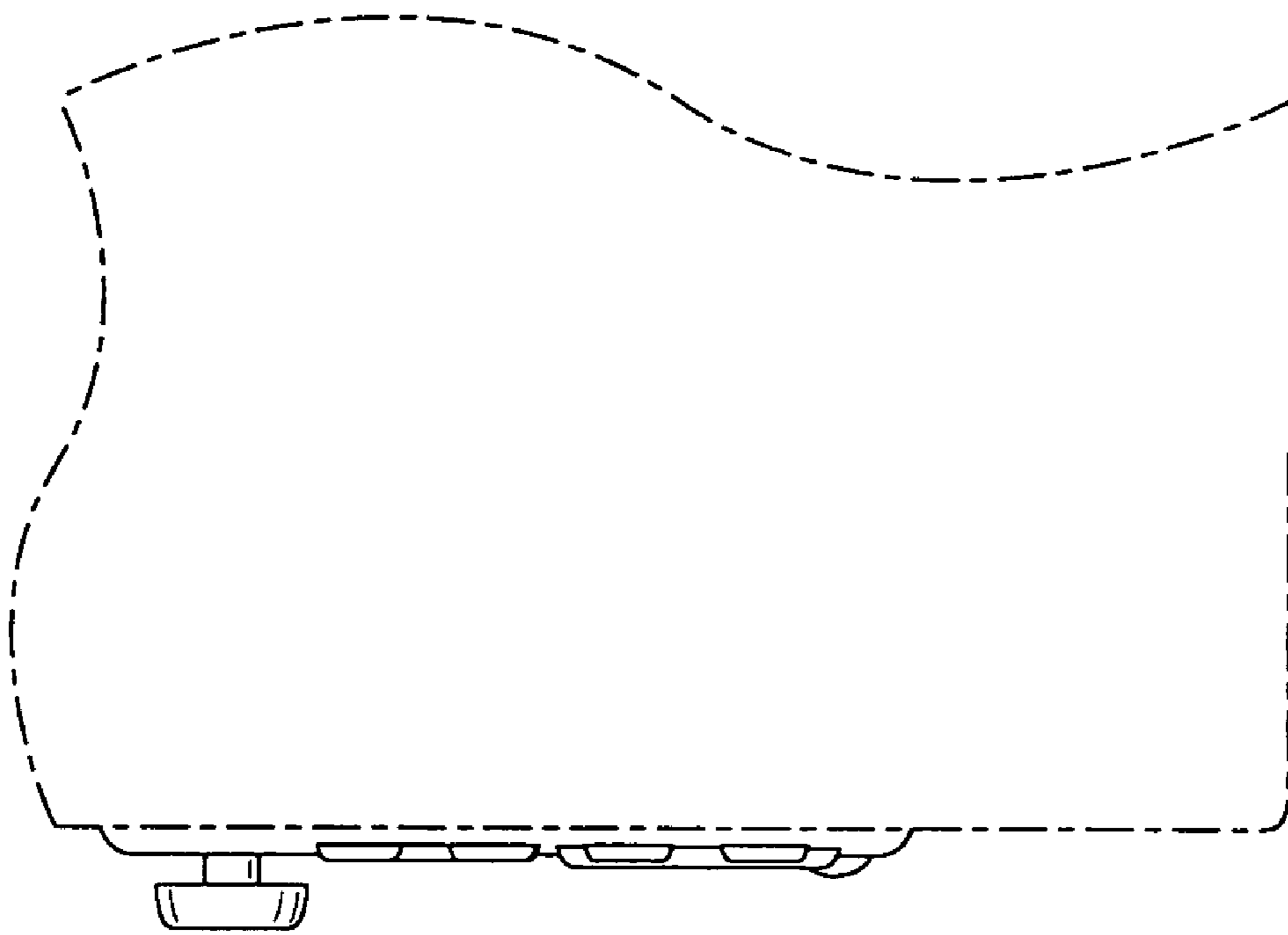


FIG. 5

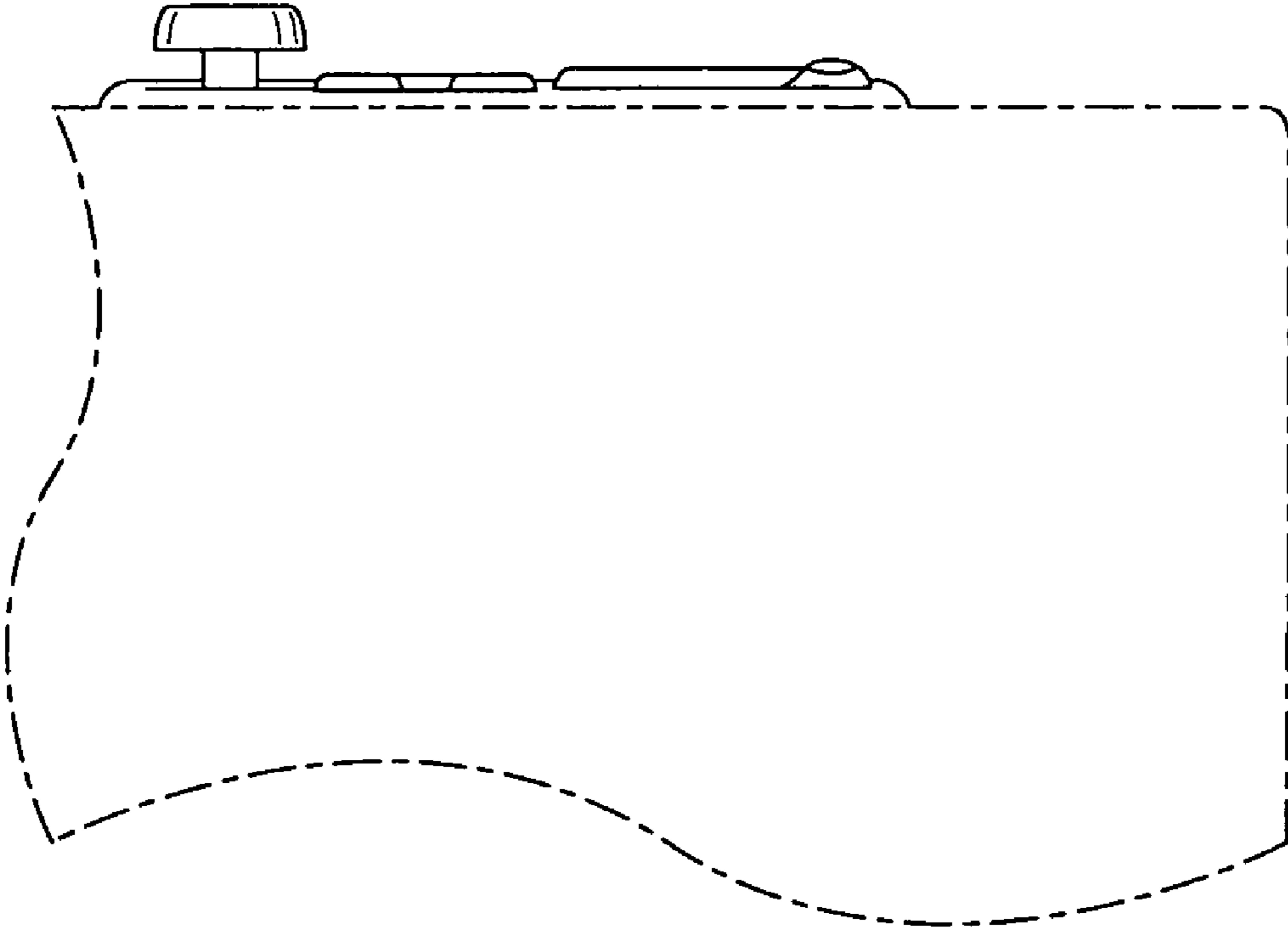


FIG. 6