



US00D553582S

(12) **United States Design Patent**
Virtanen et al.

(10) **Patent No.:** **US D553,582 S**
(45) **Date of Patent:** **** Oct. 23, 2007**

(54) **PART OF A USER INTERFACE OF A DRILLING MACHINE**

(75) Inventors: **Isto Virtanen**, Lempäälä (FI); **Toni Karvonen**, Tampere (FI); **Jukka Osara**, Hämeenkyrö (FI); **Eero Kumanto**, Linnavuori (FI)

(73) Assignee: **Sandvik Tamrock Oy**, Tampere (FI)

(**) Term: **14 Years**

(21) Appl. No.: **29/254,635**

(22) Filed: **Feb. 24, 2006**

(30) **Foreign Application Priority Data**

Aug. 30, 2005 (EM) 000395439-0003
Aug. 30, 2005 (EM) 000395439-0004

(51) **LOC (8) Cl.** **13-03**

(52) **U.S. Cl.** **D13/164**

(58) **Field of Classification Search** D13/162,
D13/164, 177, 159, 167, 163, 137, 182; D10/104,
D10/106, 43, 103, 124, 125, 46, 57; D14/443,
D14/325, 454, 380, 388, 397-8, 409, 417,
D14/420, 429; D12/192; D16/237; 200/11 D,
200/292, 512, 5 A, 61.45 R; 318/568.1;
341/16; D24/146, 169, 138
See application file for complete search history.

(56) **References Cited**

U.S. PATENT DOCUMENTS

D241,726 S * 10/1976 D'Antonio D10/46
D276,247 S * 11/1984 Kim D14/399
D276,334 S * 11/1984 Dickerson D13/164
4,518,833 A * 5/1985 Watkins 200/5 A
D340,696 S * 10/1993 Barrett D13/158
D343,826 S * 2/1994 Krebs et al. D13/168

D402,966 S * 12/1998 Lim D13/168
D417,001 S * 11/1999 Chikuma D24/158
D463,379 S * 9/2002 Graceffa et al. D13/164
D522,011 S * 5/2006 Hayes et al. D14/454
7,102,086 B2 * 9/2006 Bick et al. 200/5 A
D534,441 S * 1/2007 Stekelenburg D10/40

* cited by examiner

Primary Examiner—Selina Sikder

Assistant Examiner—Thomas J Johannes

(74) *Attorney, Agent, or Firm*—Ladas and Parry LLP

(57) **CLAIM**

The ornamental design for a part of a user interface of a drilling machine, as shown and described.

DESCRIPTION

FIG. 1 is a top, front and right side perspective view of a first embodiment of a part of a user interface of a drilling machine showing our new design;

FIG. 2 is a top view thereof;

FIG. 3 is a front side view thereof;

FIG. 4 is a right view thereof;

FIG. 5 is a left side view thereof;

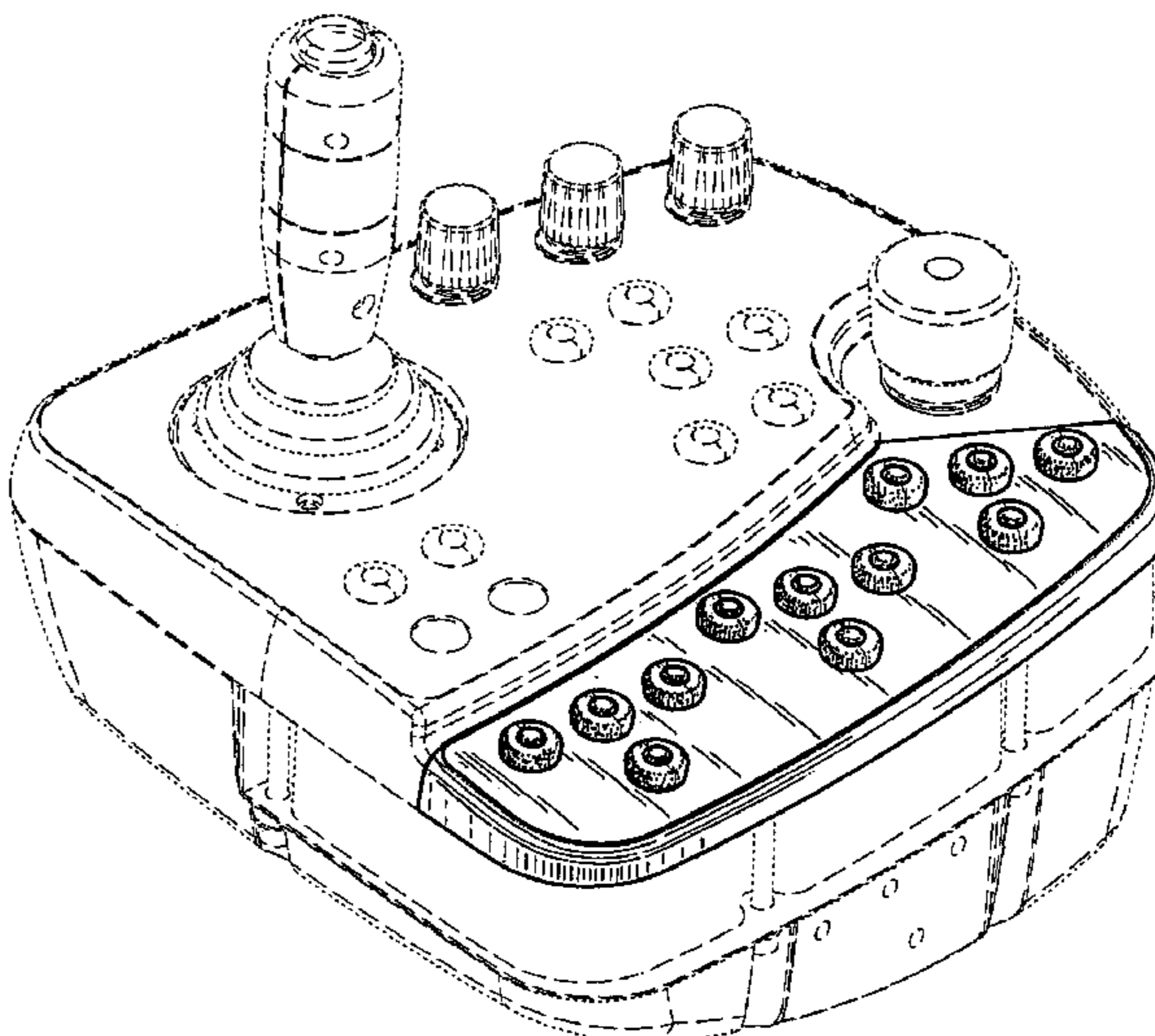
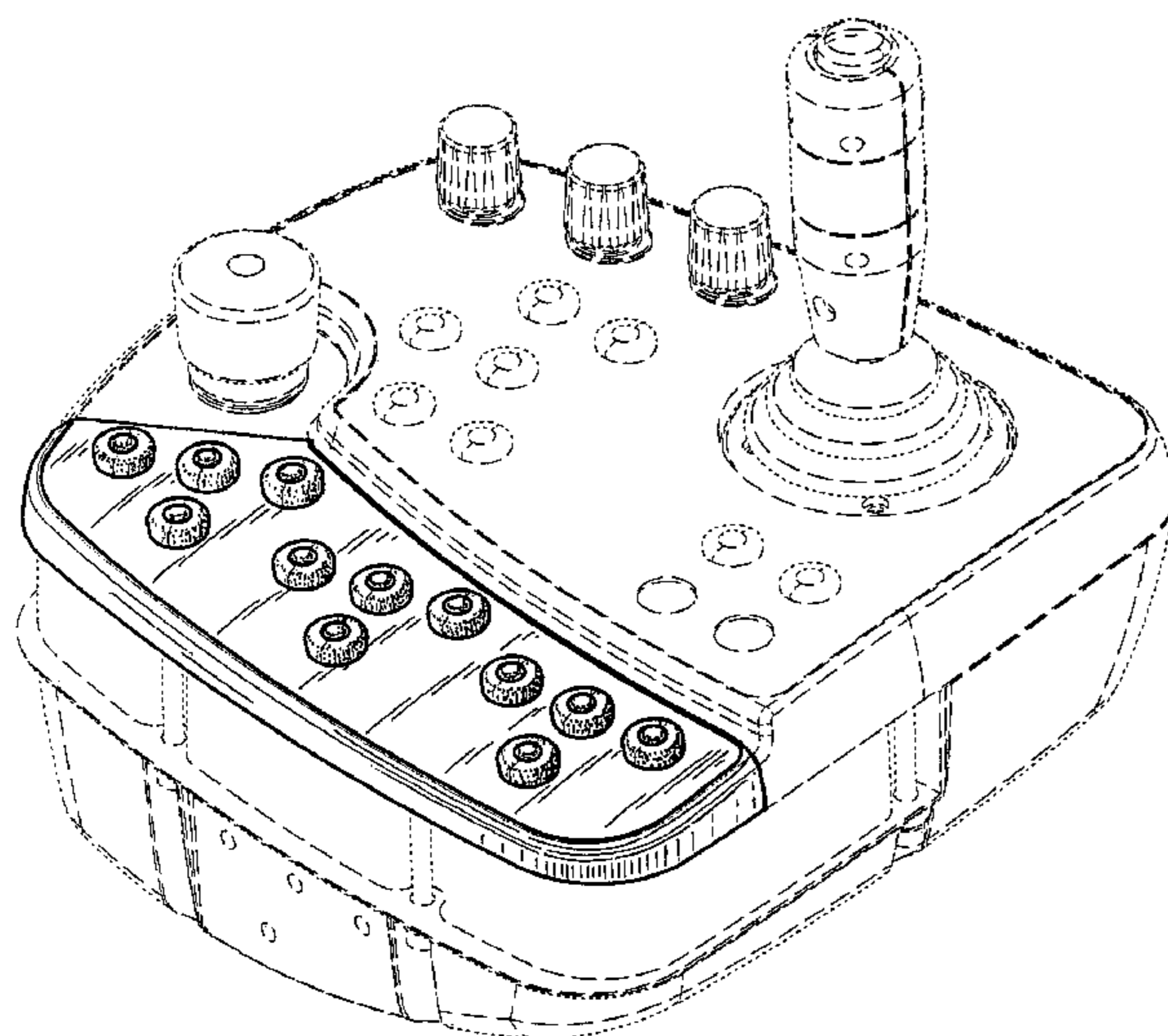
FIG. 6 is a bottom view thereof;

FIG. 7 is a rear view thereof; and,

FIG. 8 is a top, front and left side perspective view of a second embodiment of a part of a user interface of a drilling machine showing our new design. The second embodiment is a mirror image of the first embodiment and, therefore, not further illustrated.

The broken line showing in the figure drawings is included for the purpose of illustrating environmental detail and forms no part of the claimed design.

1 Claim, 8 Drawing Sheets



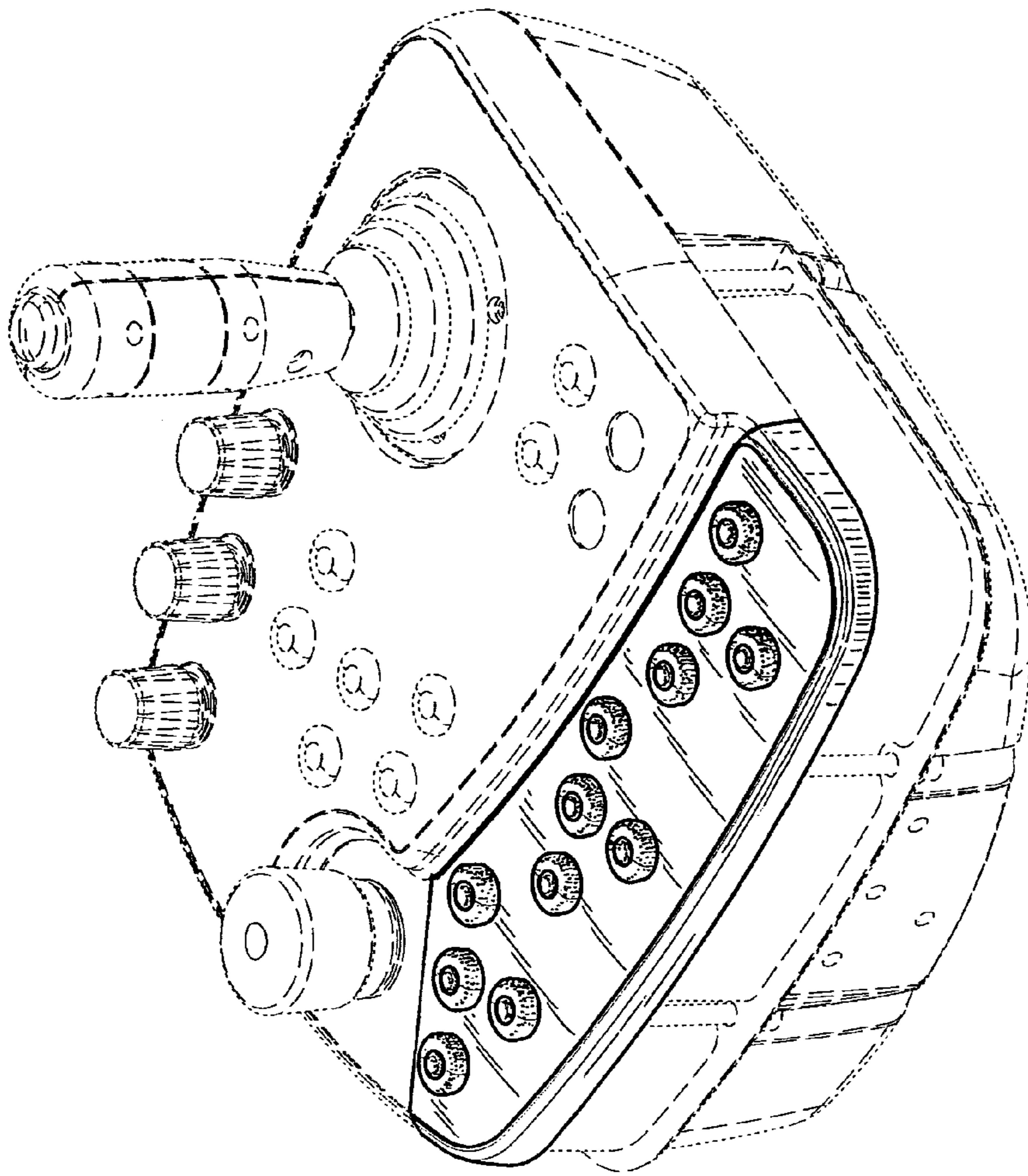


FIG. 1

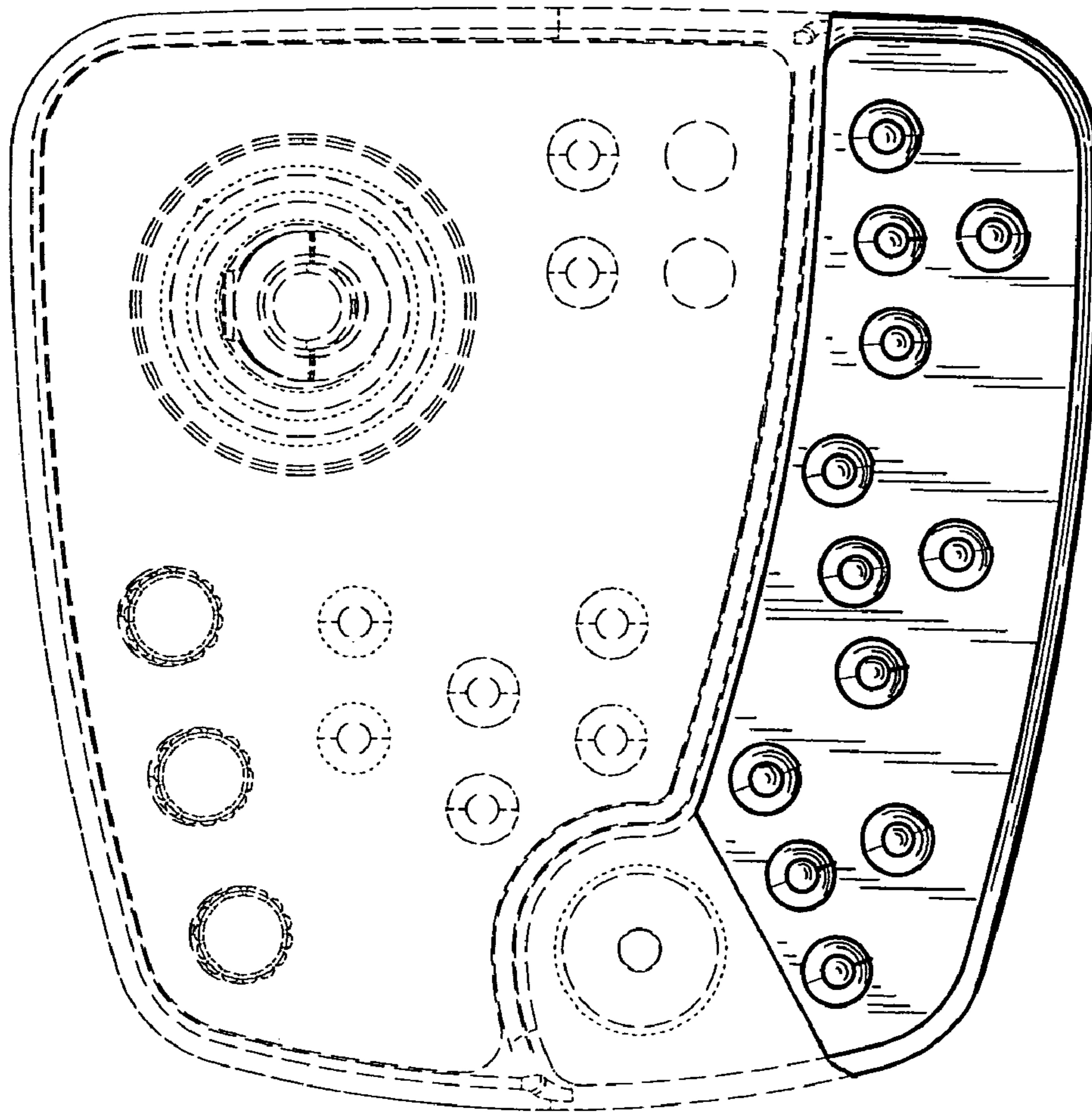


FIG. 2

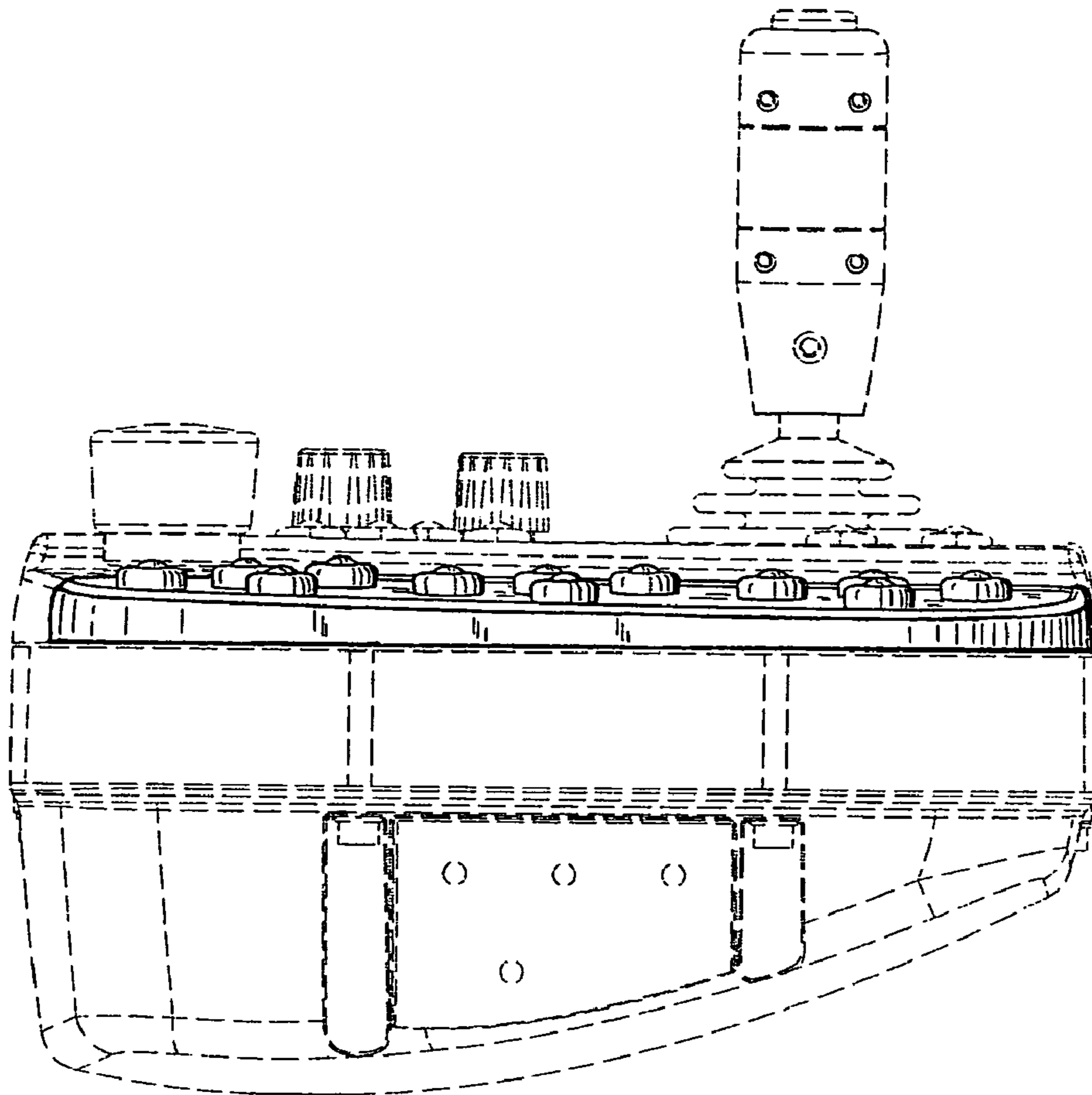


FIG. 3

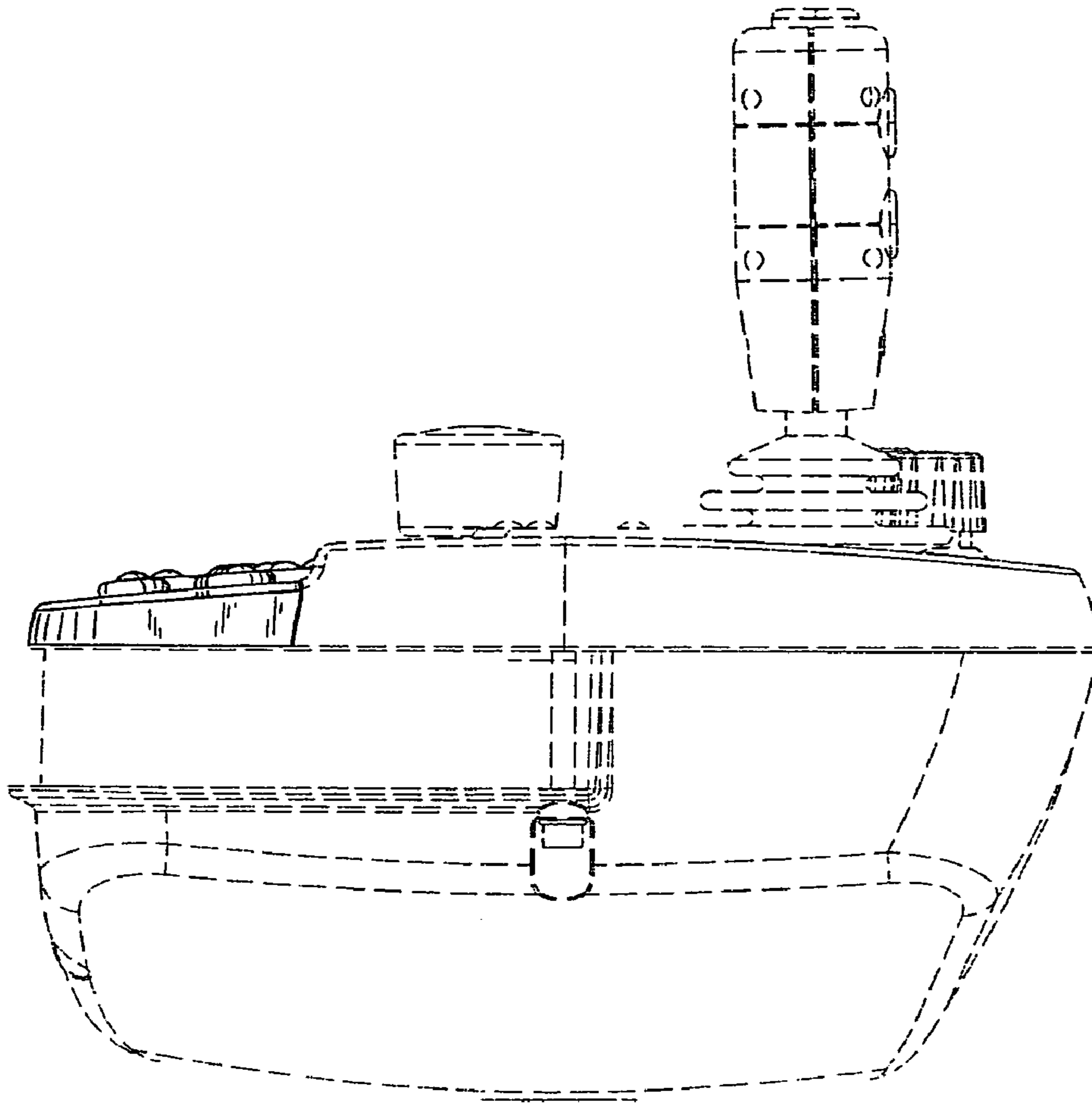


FIG. 4

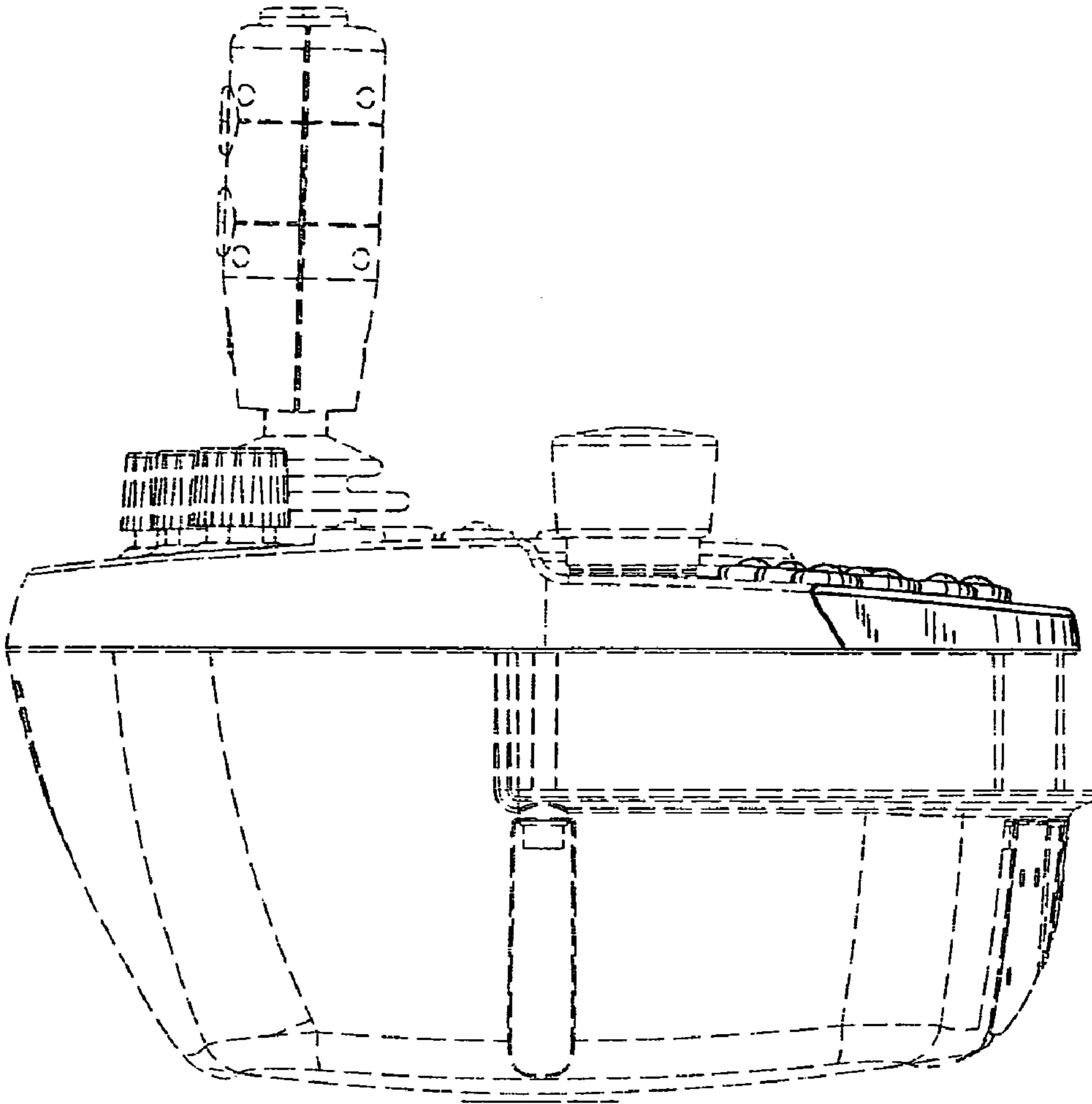


FIG. 5

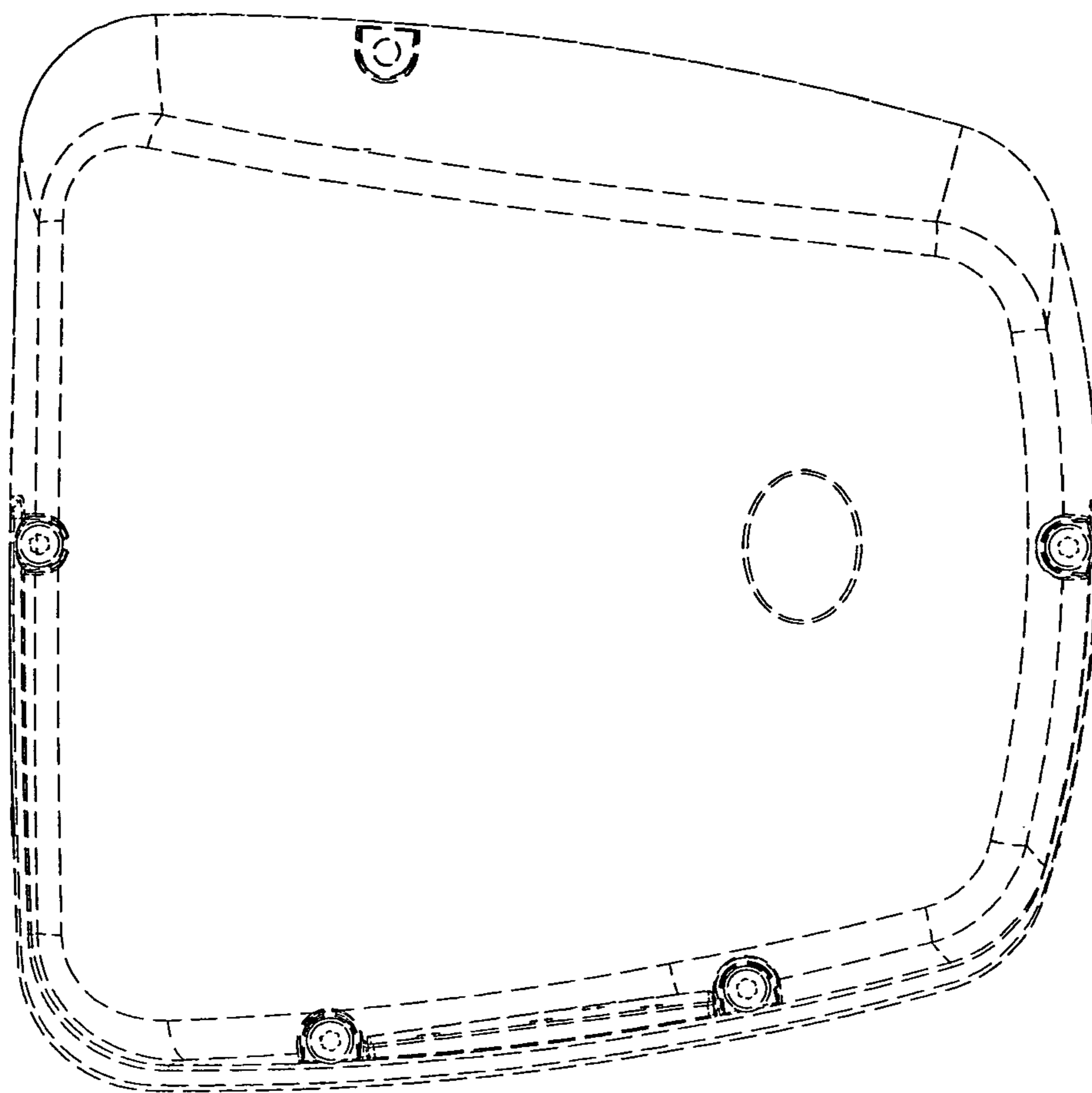


FIG. 6

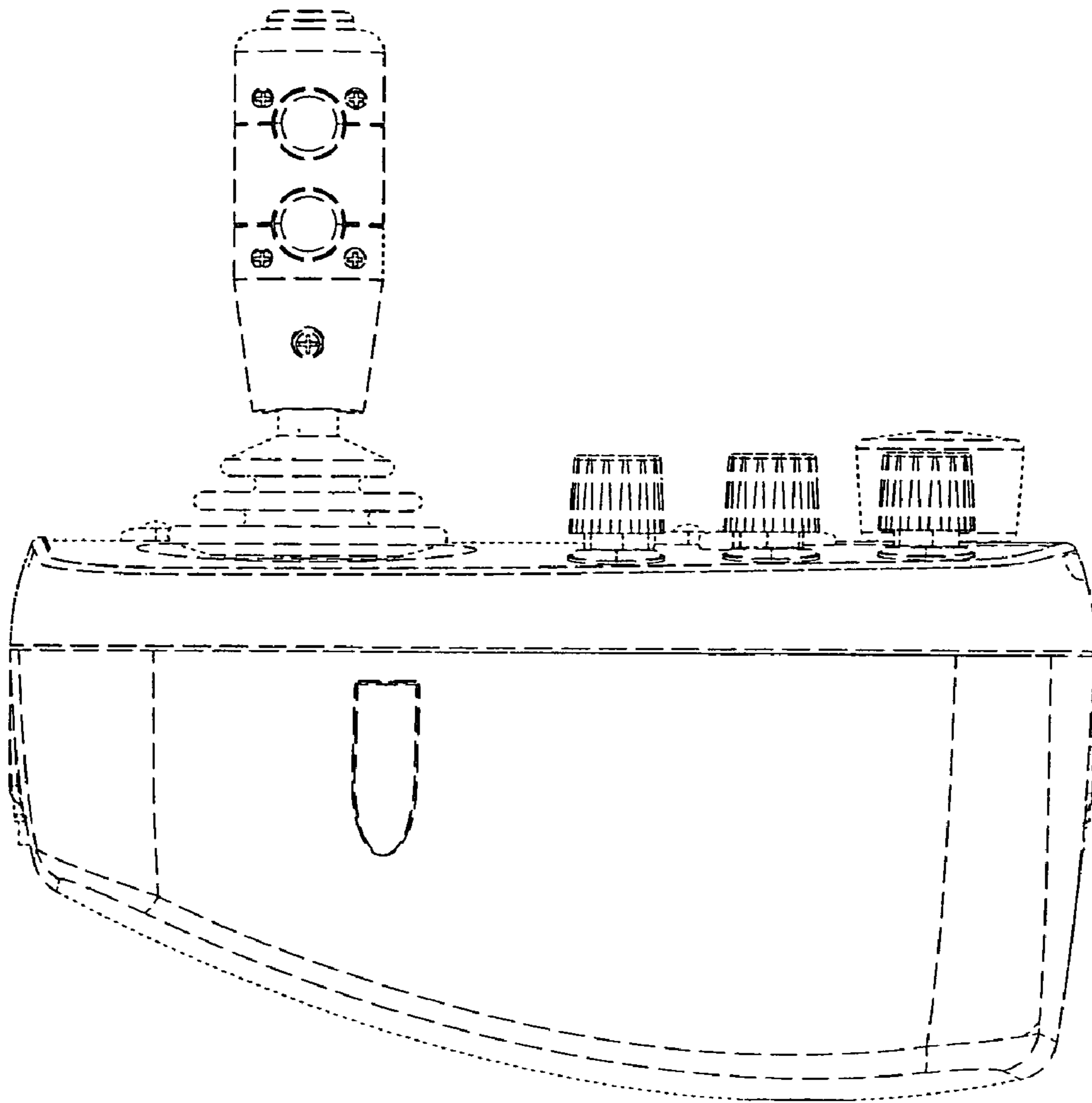


FIG. 7

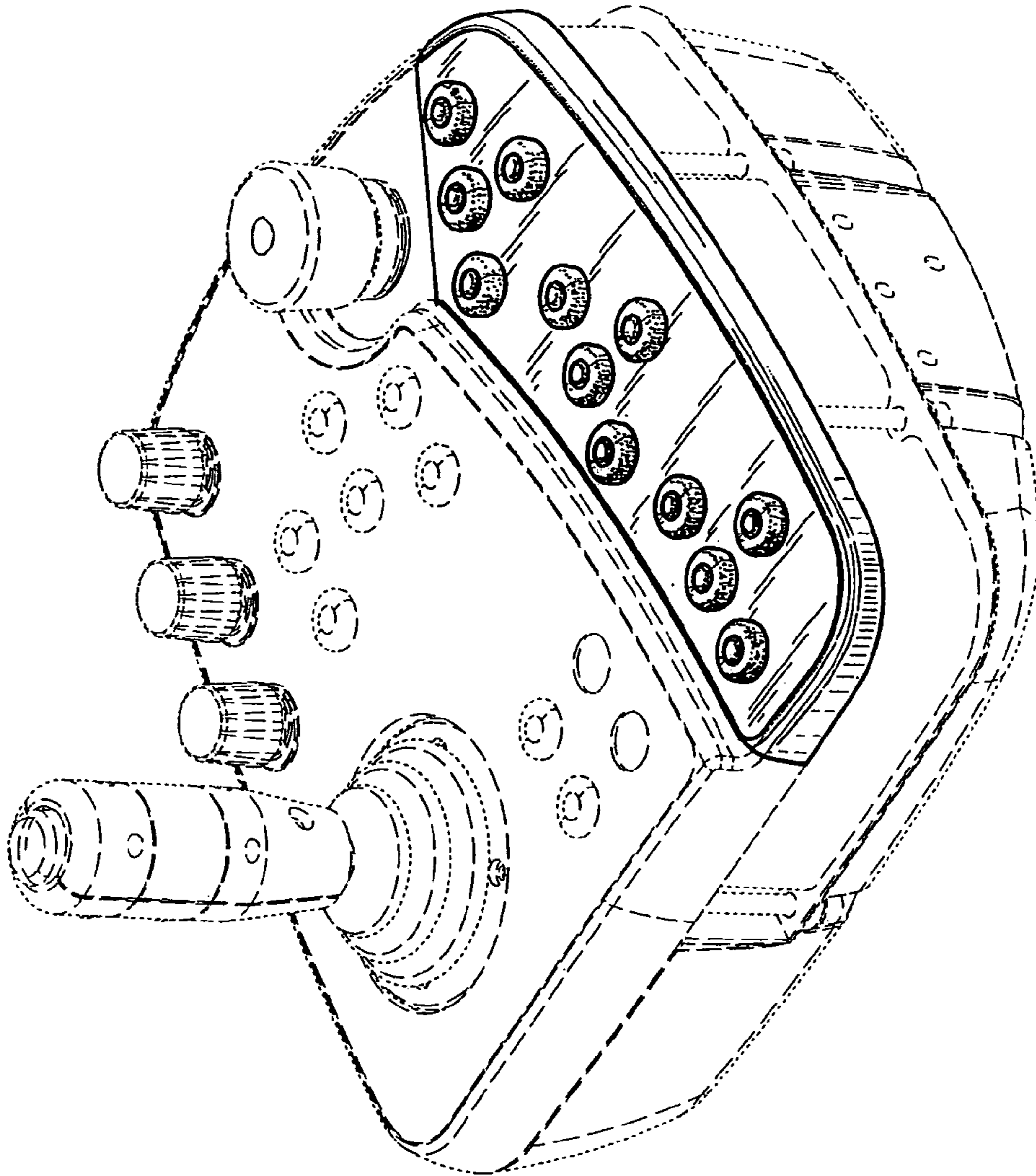


FIG. 8