



US00D553580S

(12) **United States Design Patent**
Hobson

(10) **Patent No.:** **US D553,580 S**

(45) **Date of Patent:** **** Oct. 23, 2007**

(54) **REMOTE WEAPON CONTROL UNIT**

(75) Inventor: **Eric S. Hobson**, Novato, CA (US)

(73) Assignee: **Precision Remotes, Inc.**, Pt. Richmond, CA (US)

(**) Term: **14 Years**

(21) Appl. No.: **29/239,644**

(22) Filed: **Sep. 30, 2005**

(51) **LOC (8) Cl.** **13-03**

(52) **U.S. Cl.** **D13/164**

(58) **Field of Classification Search** D13/110,
D13/119, 123, 133, 147, 152, 154, 159-164,
D13/177, 184; D14/137, 441, 443; 361/690,
361/678, 647, 605; D16/237; D12/192;
D10/46, 49, 50, 125

See application file for complete search history.

(56) **References Cited**

U.S. PATENT DOCUMENTS

D327,264 S *	6/1992	Goatman	D14/137
D412,337 S *	7/1999	Hamano	D16/237
D421,038 S *	2/2000	Hisatsune	D16/237
D432,995 S *	10/2000	Hubler et al.	D13/162
D442,560 S *	5/2001	Price et al.	D13/163
D451,529 S *	12/2001	Vasquez	D16/237
D463,379 S *	9/2002	Graceffa et al.	D13/164
D468,703 S *	1/2003	Schneider et al.	D13/162
D493,146 S *	7/2004	Brett et al.	D13/164

D494,937 S *	8/2004	You et al.	D13/162
D503,686 S *	4/2005	Knox et al.	D13/162
D505,392 S *	5/2005	Begg et al.	D13/162
D513,497 S *	1/2006	Whitehouse	D13/162
D513,737 S *	1/2006	Riley	D13/164

* cited by examiner

Primary Examiner—Selina Sikder

Assistant Examiner—Thomas Johannes

(74) *Attorney, Agent, or Firm*—Dergosits & Noah LLP

(57) **CLAIM**

The ornamental design for a remote weapon control unit, as shown and described.

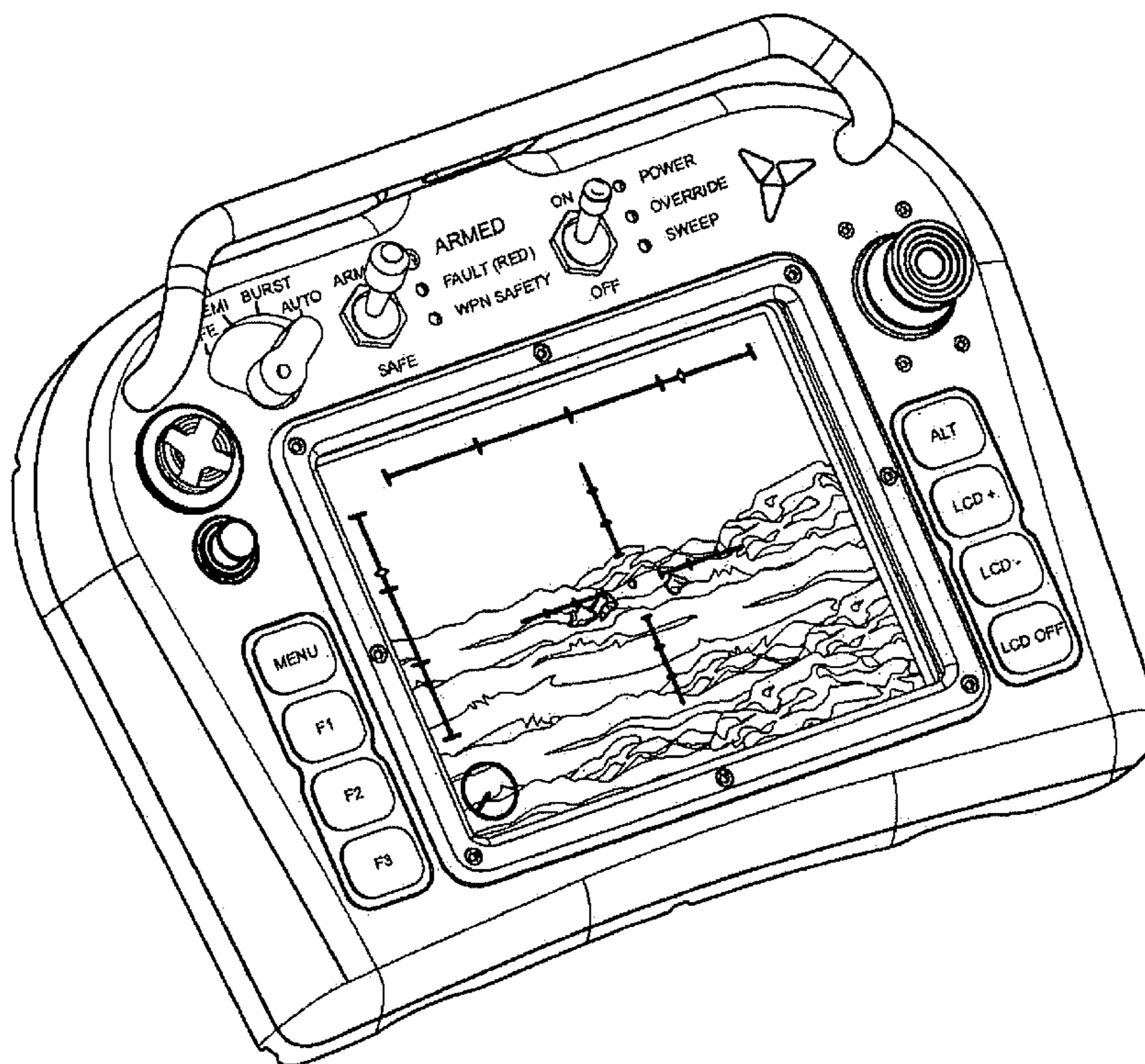
DESCRIPTION

FIG. 1 is a top perspective view of a remote weapon control unit, showing my new design, in an operating condition; and,

FIG. 2 is an alternate top perspective view thereof, in an alternate condition.

This design is not limited to the exact details shown in the drawings, since equivalents and colorable imitations thereof will be evident to a person of ordinary skill in the art. Thus, within the scope of the appended claim, which is intended to cover only the ornamental and novel elements shown in the drawings, the invention may be practiced otherwise than as specifically shown and described herein.

1 Claim, 2 Drawing Sheets



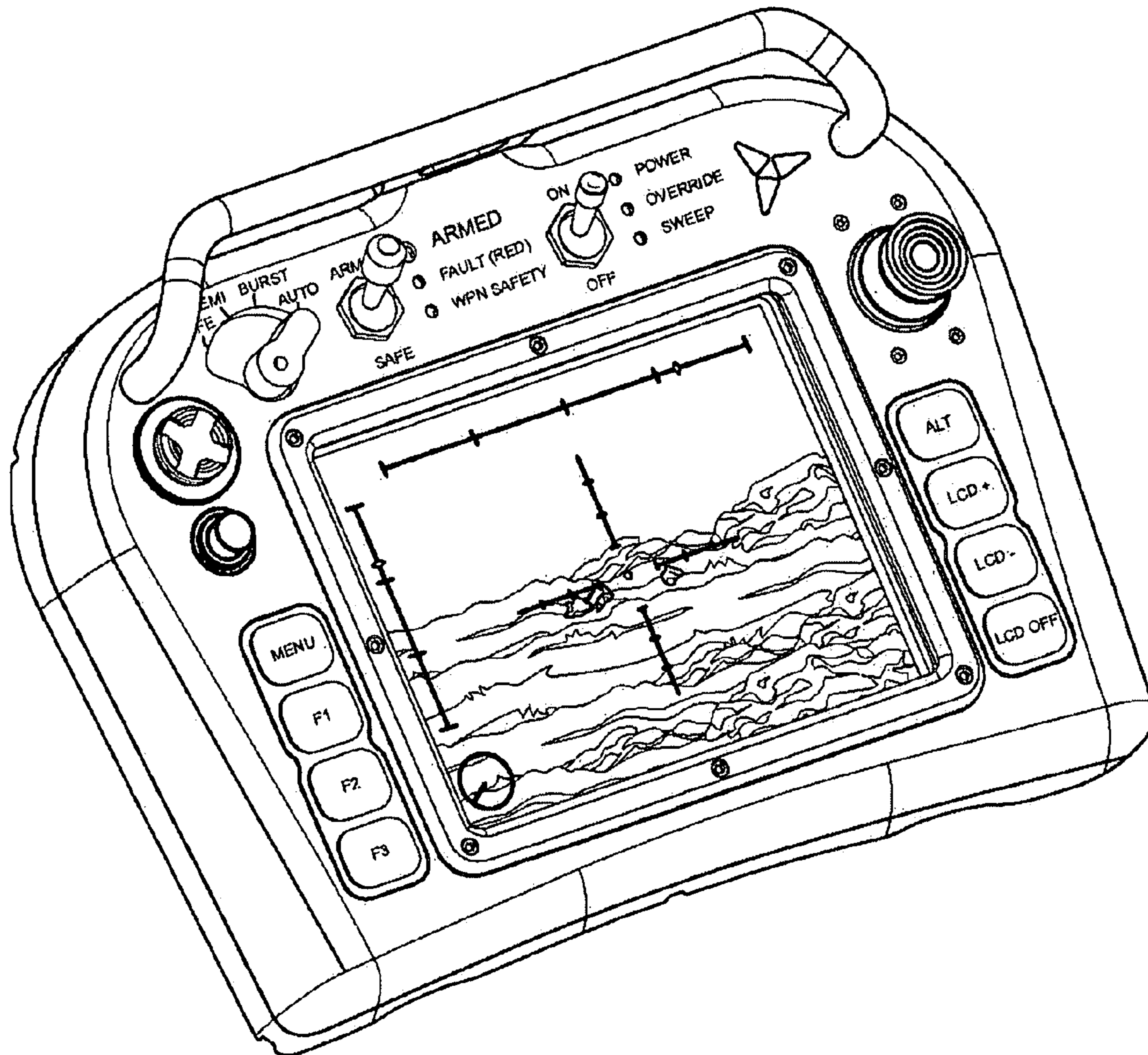


FIG. 1

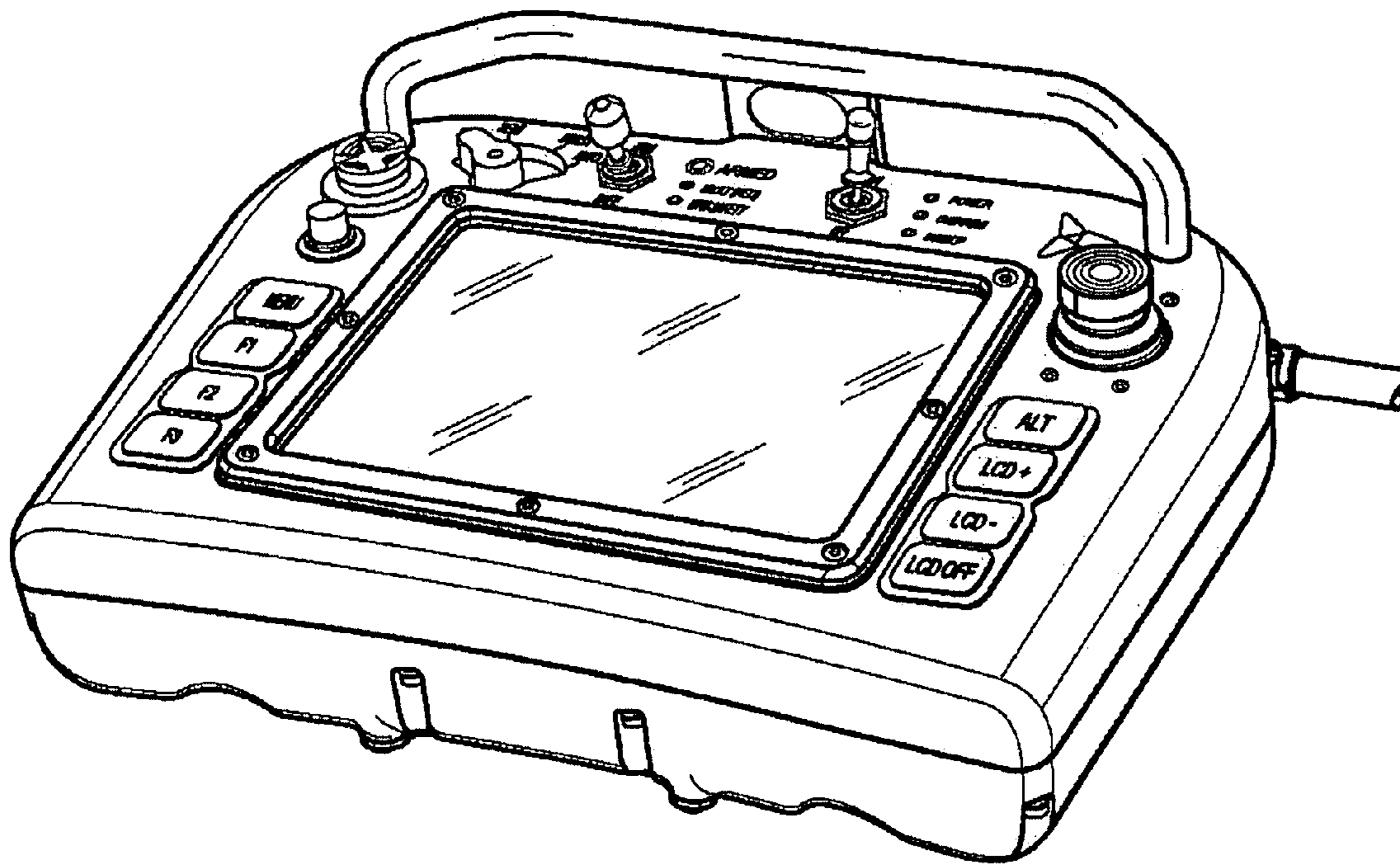


FIG. 2