



US00D553578S

(12) **United States Design Patent**
Virtanen et al.

(10) **Patent No.:** **US D553,578 S**

(45) **Date of Patent:** **** Oct. 23, 2007**

(54) **PART OF A USER INTERFACE OF A DRILLING MACHINE**

(75) Inventors: **Isto Virtanen**, Lempäälä (FI); **Toni Karvonen**, Tampere (FI); **Jukka Osara**, Hämeenkyrö (FI); **Eero Kumanto**, Linnavuori (FI)

(73) Assignee: **Sandvik Tamrock Oy**, Tampere (FI)

(**) Term: **14 Years**

(21) Appl. No.: **29/254,640**

(22) Filed: **Feb. 24, 2006**

(30) **Foreign Application Priority Data**

Aug. 30, 2005 (EM) 000395439-0001
Aug. 30, 2005 (EM) 000395439-0002

(51) **LOC (8) Cl.** **13-03**

(52) **U.S. Cl.** **D13/162; D14/417**

(58) **Field of Classification Search** D13/162,
D13/164, 177, 159, 167, 163, 137, 182; D10/104,
D10/106, 43, 103, 124, 125, 46, 57; D14/443,
D14/325, 454, 380, 388, 397-8, 409, 417,
D14/420, 429; D12/192; D16/237; 200/11 D,
200/292, 512, 5 A, 61.45 R; 318/568.1;
341/16; D24/146, 169, 138

See application file for complete search history.

(56) **References Cited**

U.S. PATENT DOCUMENTS

D272,921 S * 3/1984 Kim D14/417
D289,306 S * 4/1987 Burnstein et al. D14/417
D301,256 S * 5/1989 Iwata D14/417
D356,788 S * 3/1995 Mizusugi et al. D14/417
D374,867 S * 10/1996 Canavan D14/417

D399,499 S * 10/1998 Kaneko et al. D14/417
D413,579 S * 9/1999 Mullet et al. D13/168
D493,146 S * 7/2004 Brett et al. D13/164
D513,233 S * 12/2005 Stauffer D13/168
D522,011 S * 5/2006 Hayes et al. D14/454

* cited by examiner

Primary Examiner—Selina Sikder

Assistant Examiner—Thomas J Johannes

(74) *Attorney, Agent, or Firm*—Ladas and Parry LLP

(57) **CLAIM**

The ornamental design for a part of a user interface of a drilling machine, as shown and described.

DESCRIPTION

FIG. 1 is a top, front and left side perspective view of a first embodiment of a part of a user interface of a drilling machine showing our new design;

FIG. 2 is a top view thereof;

FIG. 3 is a left side view thereof;

FIG. 4 is a front view thereof;

FIG. 5 is a right side view thereof;

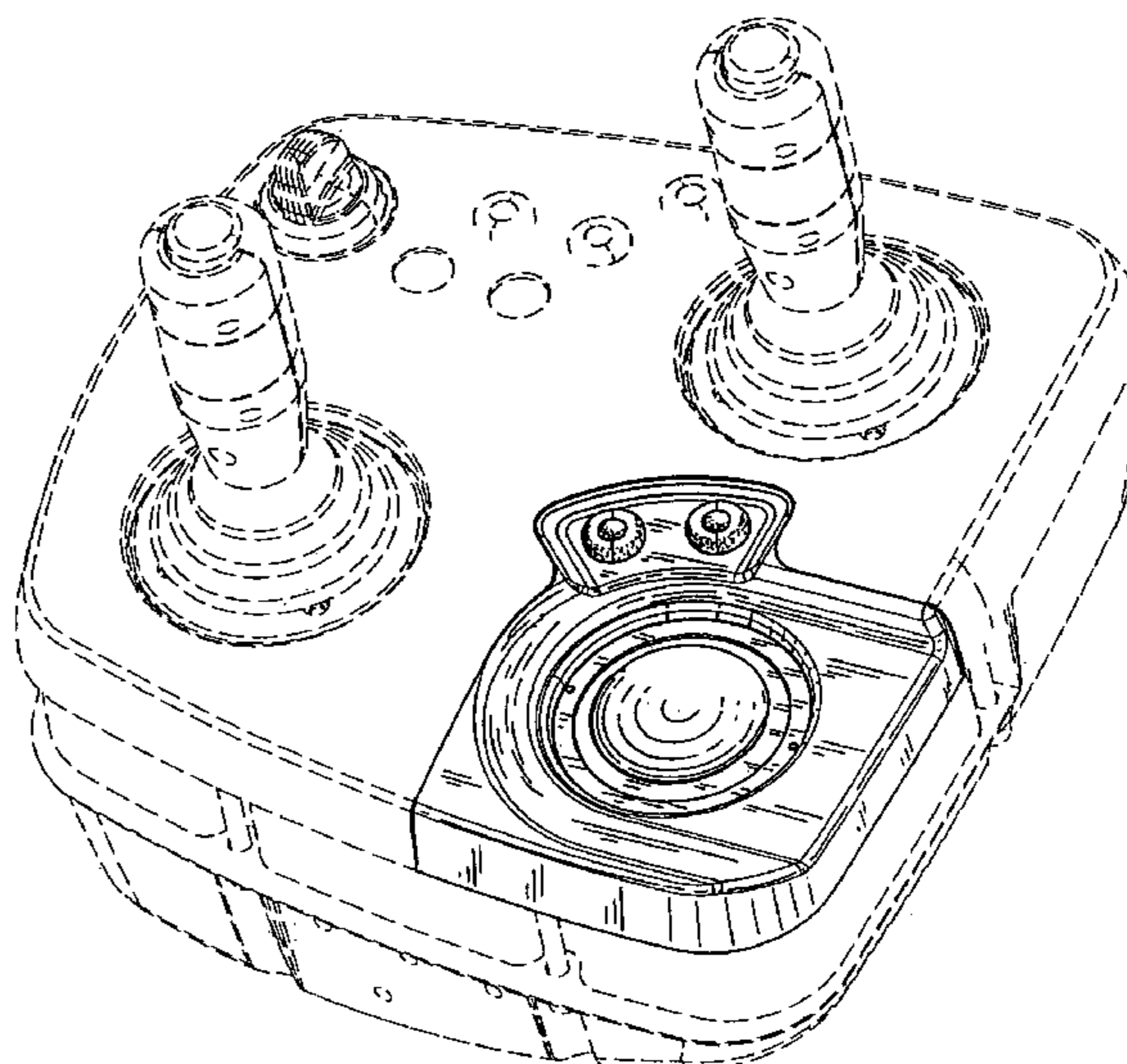
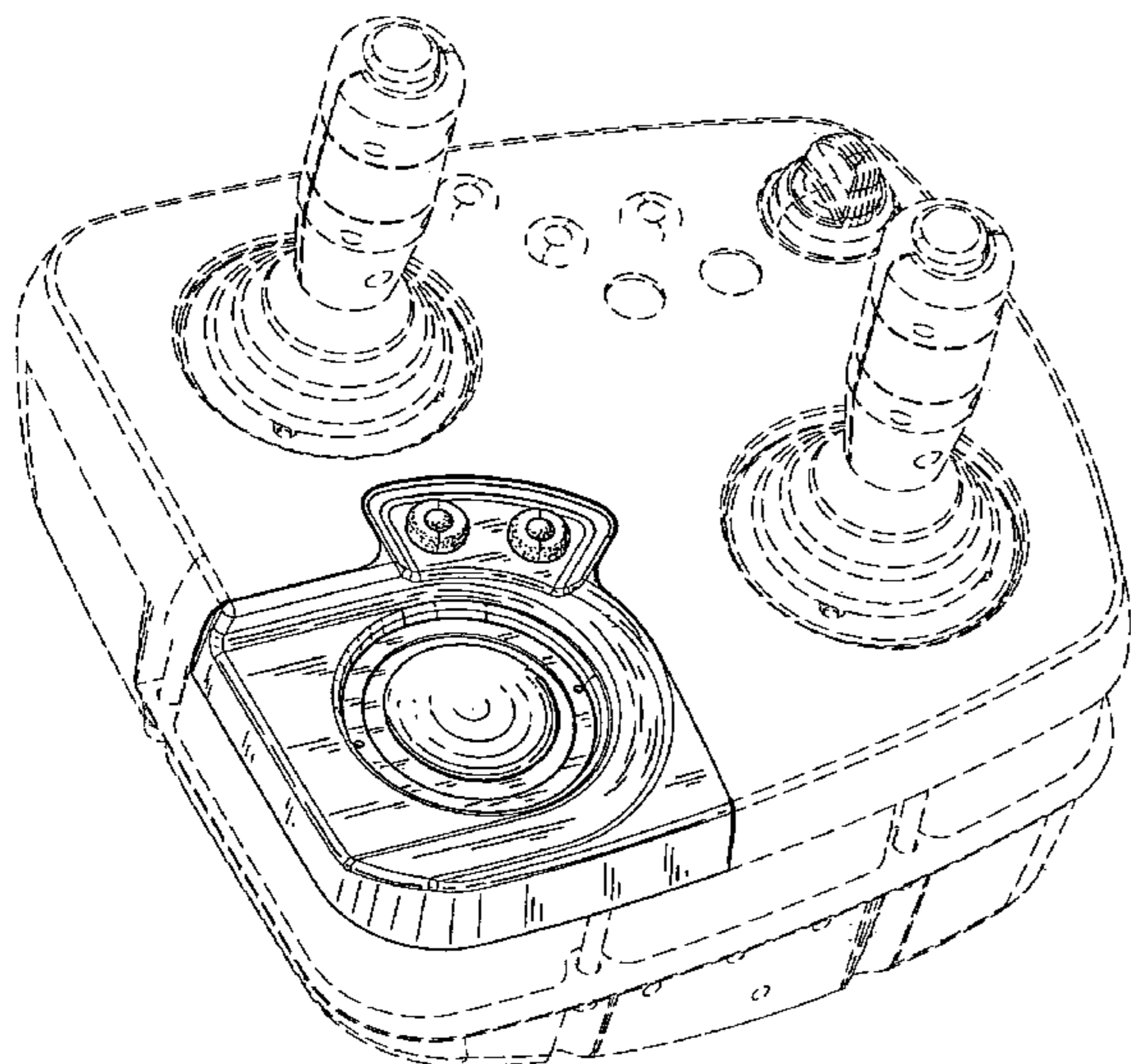
FIG. 6 is a rear view thereof;

FIG. 7 is a bottom view thereof; and,

FIG. 8 is a top, front and right side perspective view of a second embodiment of a part of a user interface of a drilling machine showing our new design. The second embodiment is a mirror image of the first embodiment and, therefore, not further illustrated.

The broken line showing in the figure drawings is included for the purpose of illustrating environmental detail and forms no part of the claimed design.

1 Claim, 8 Drawing Sheets



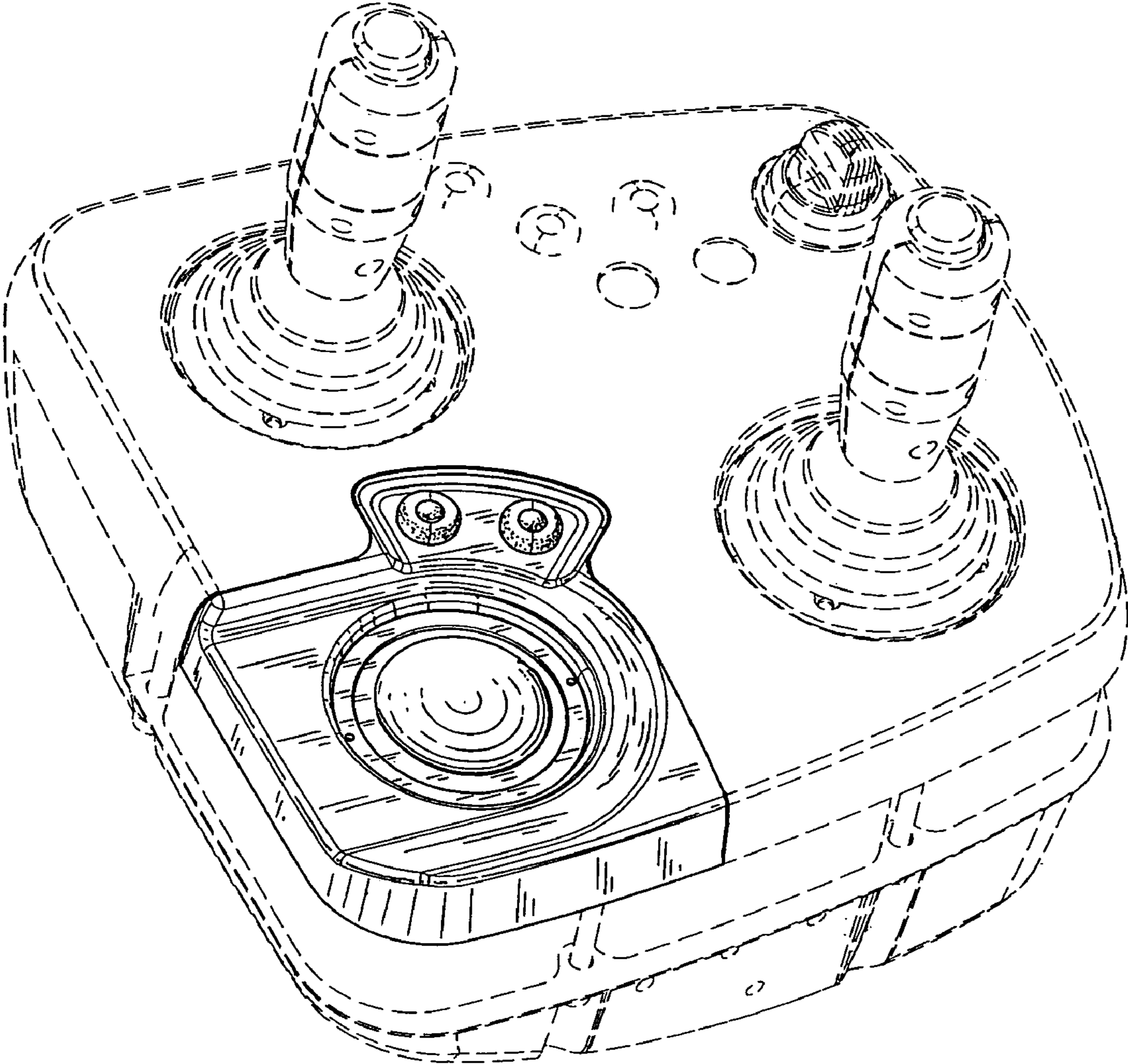


FIG. 1

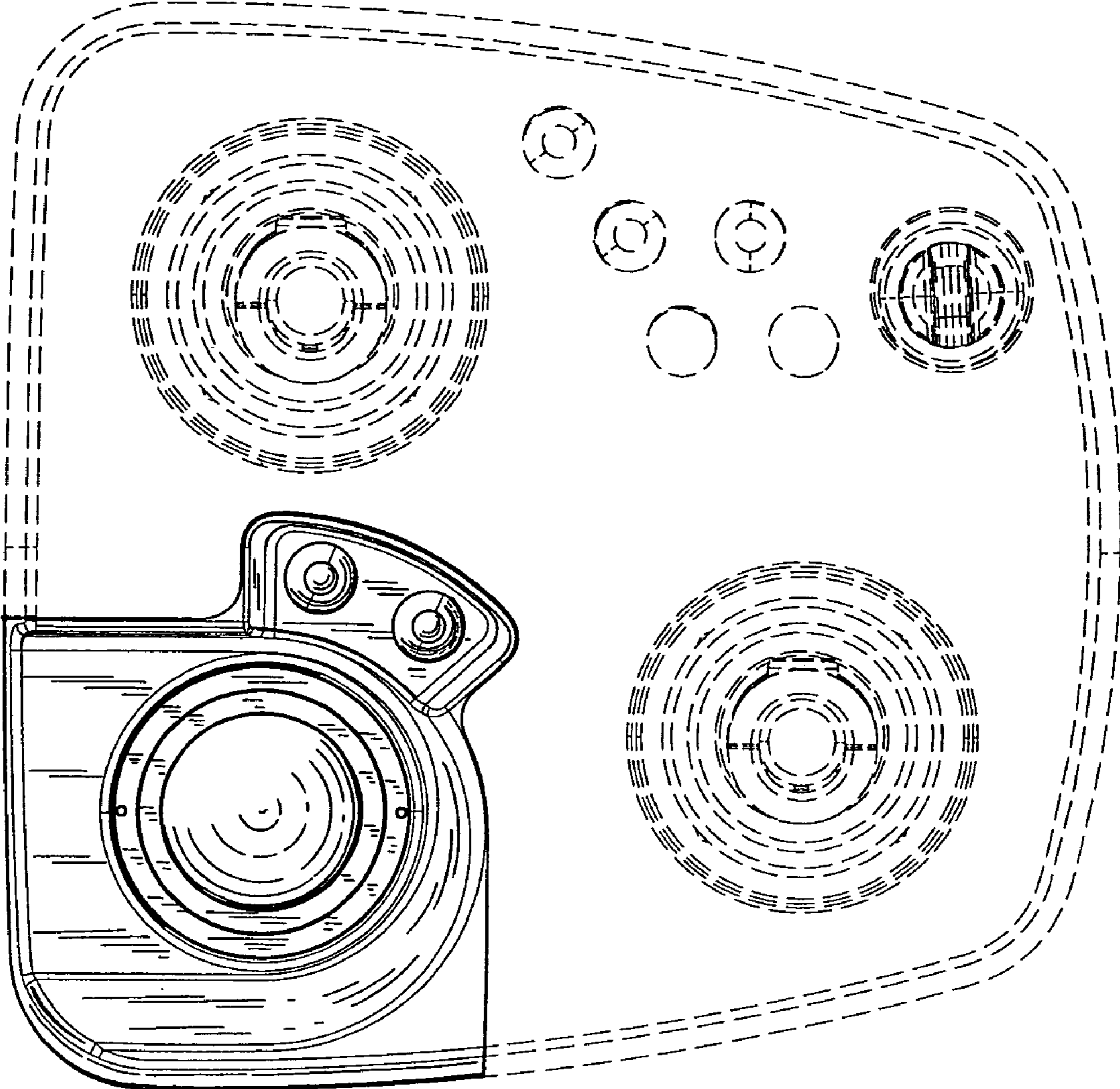


FIG. 2

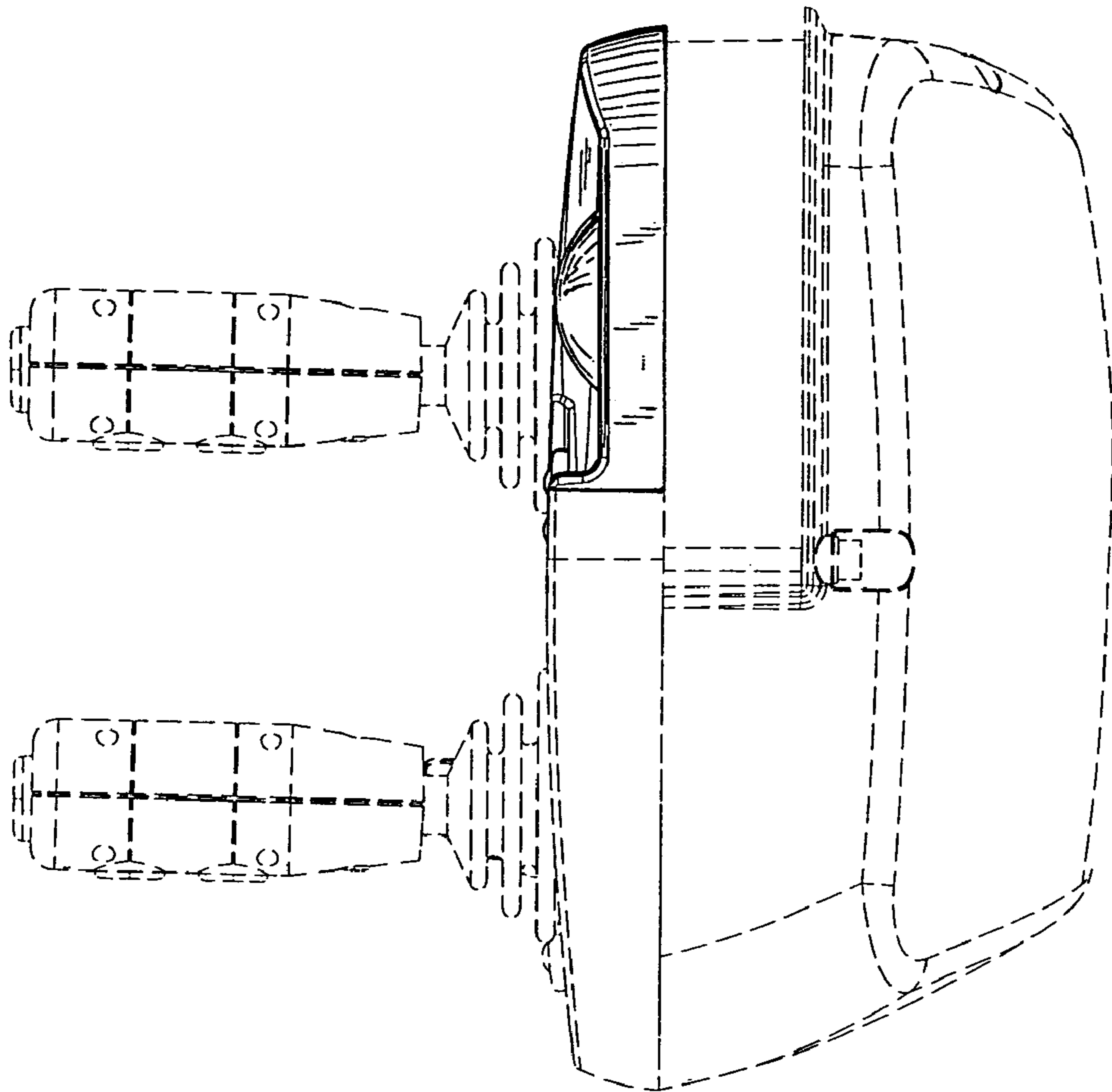


FIG. 3

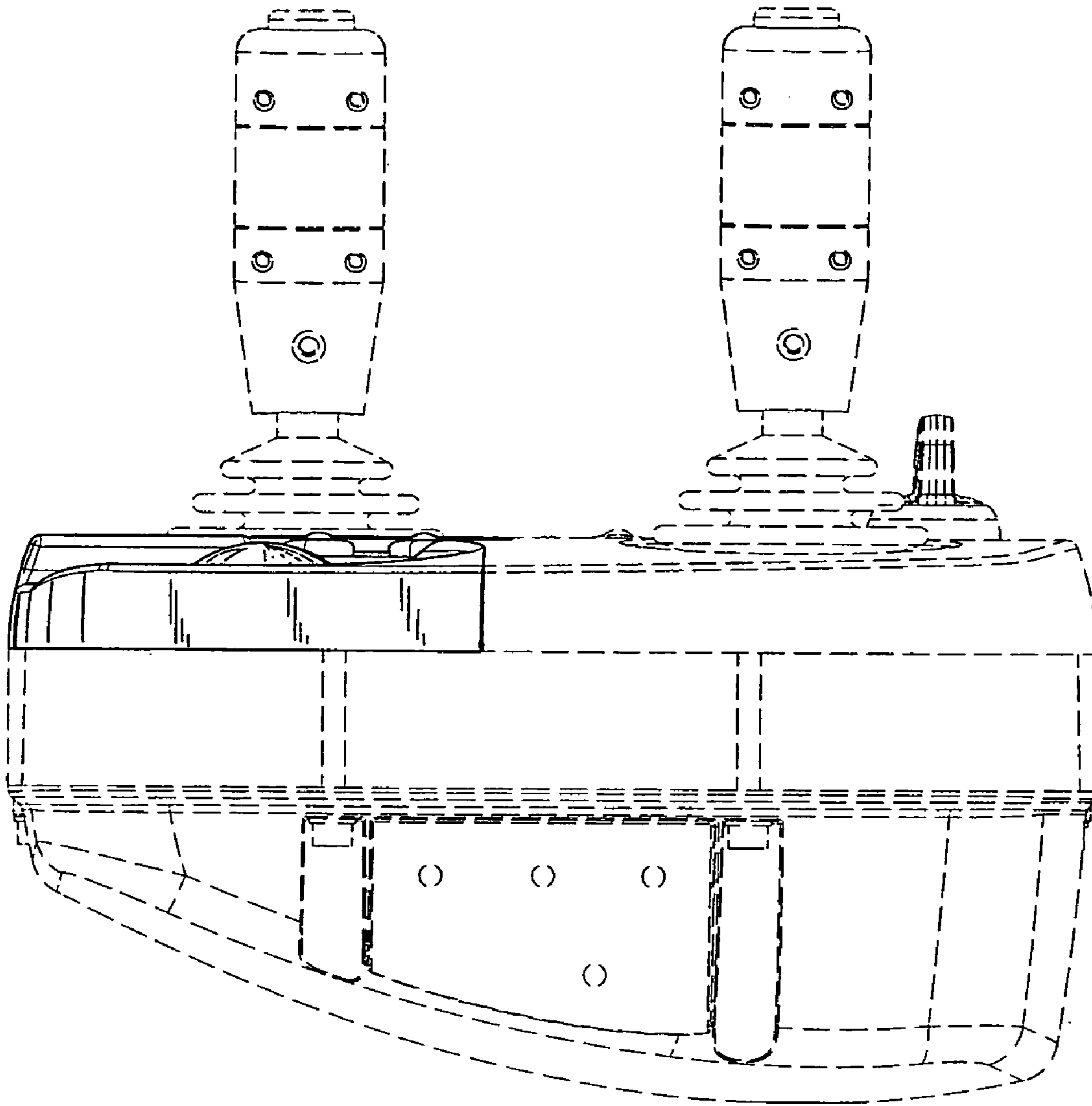


FIG. 4

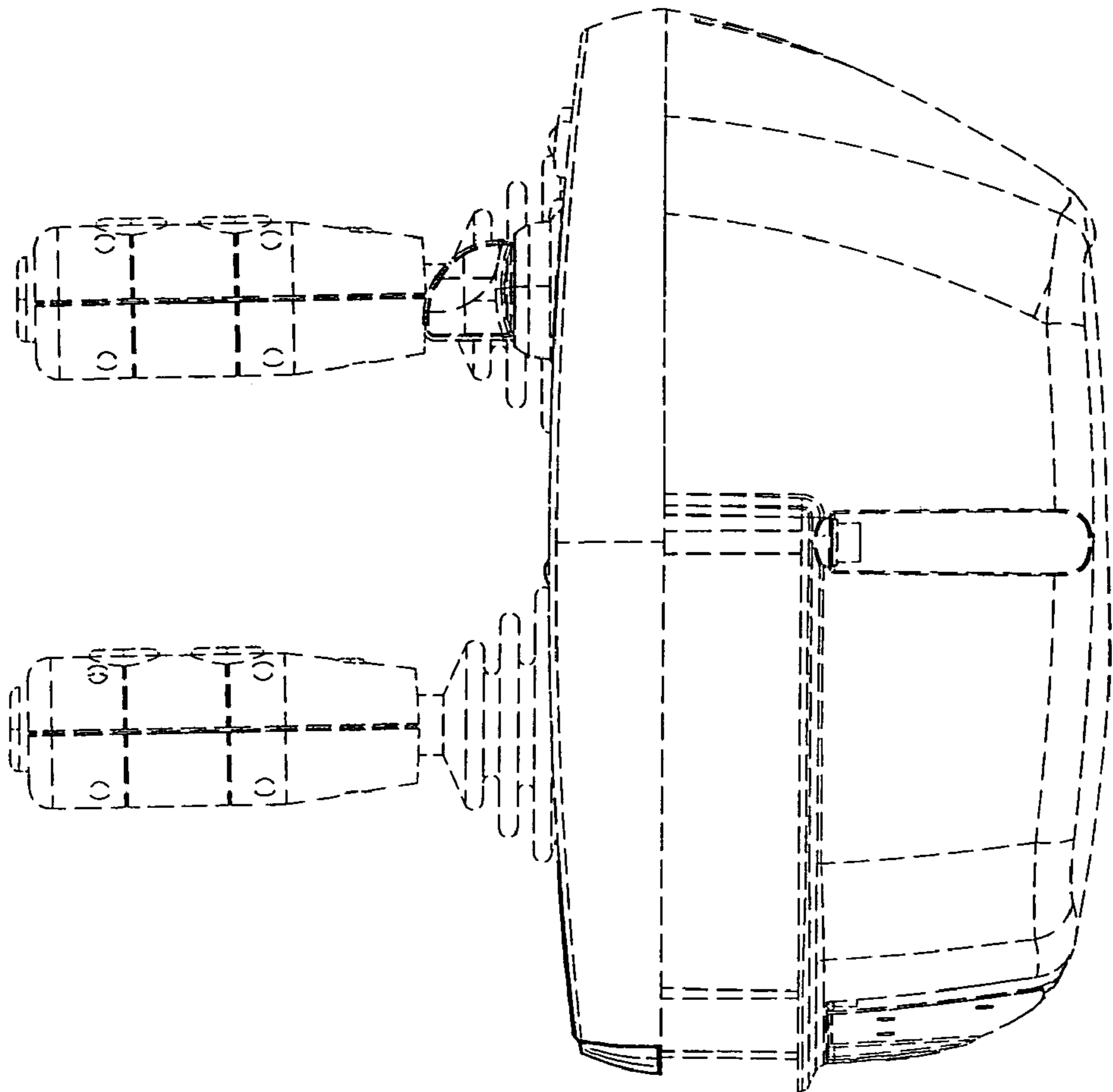


FIG. 5

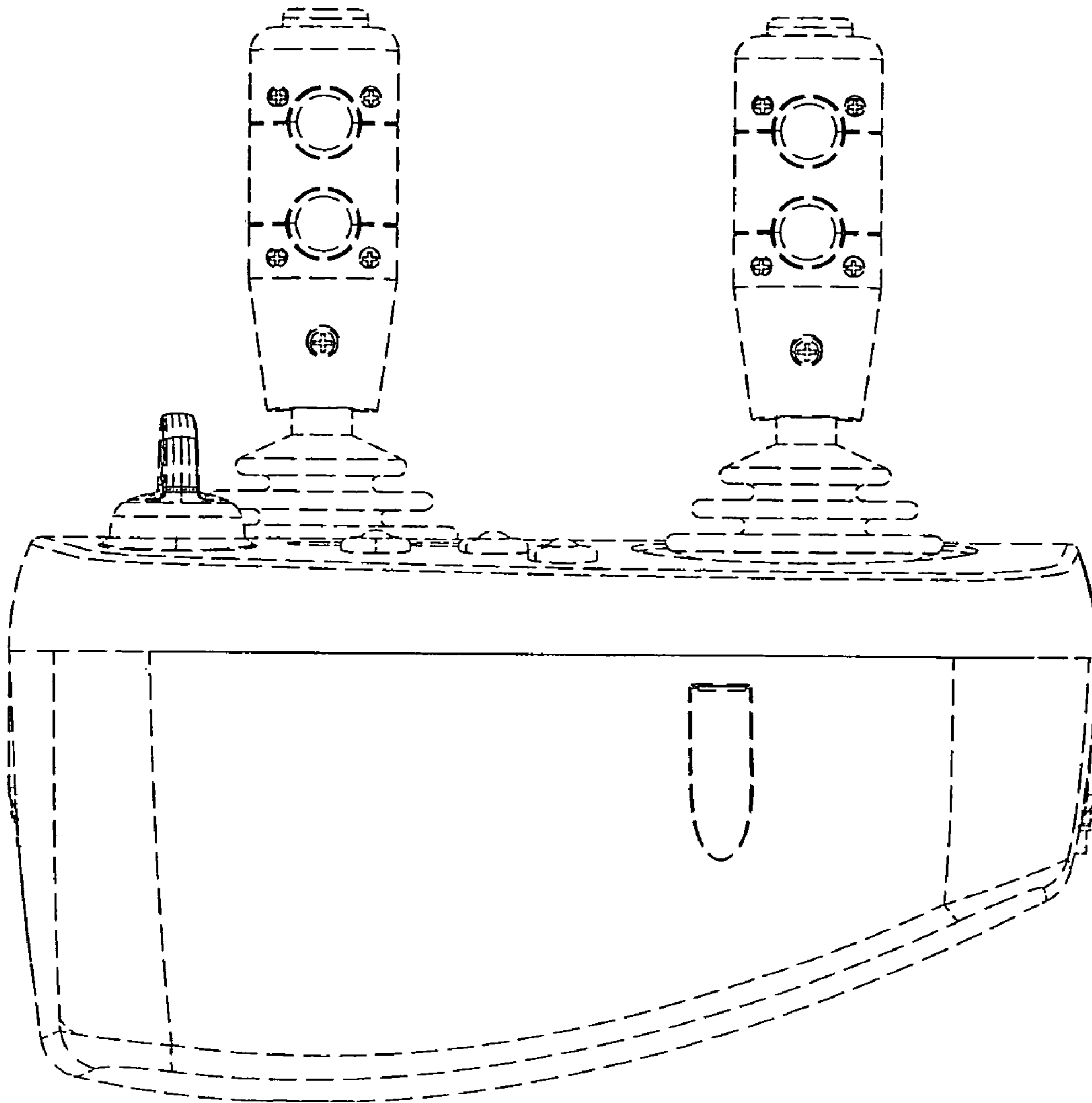


FIG. 6

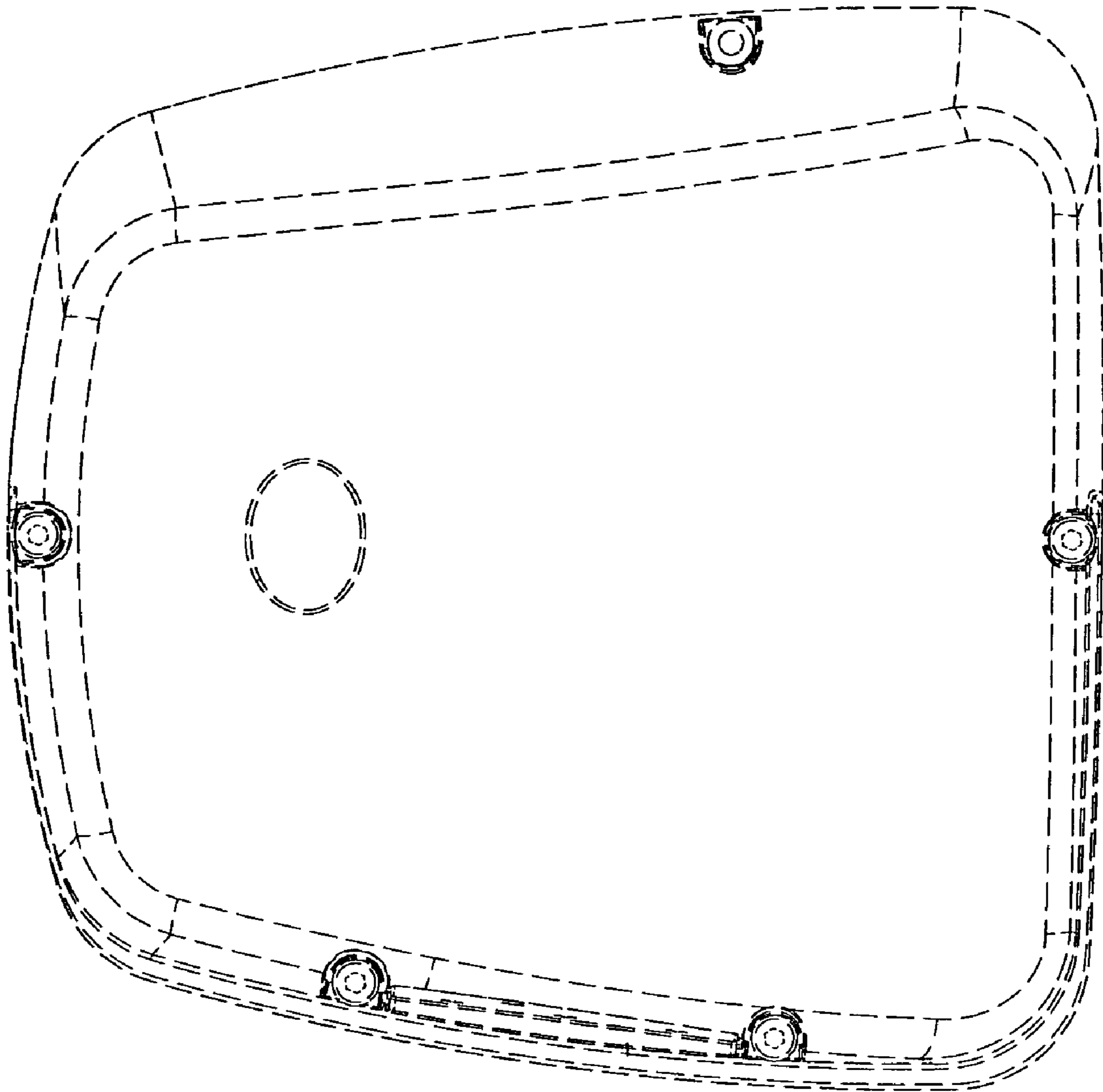


FIG. 7

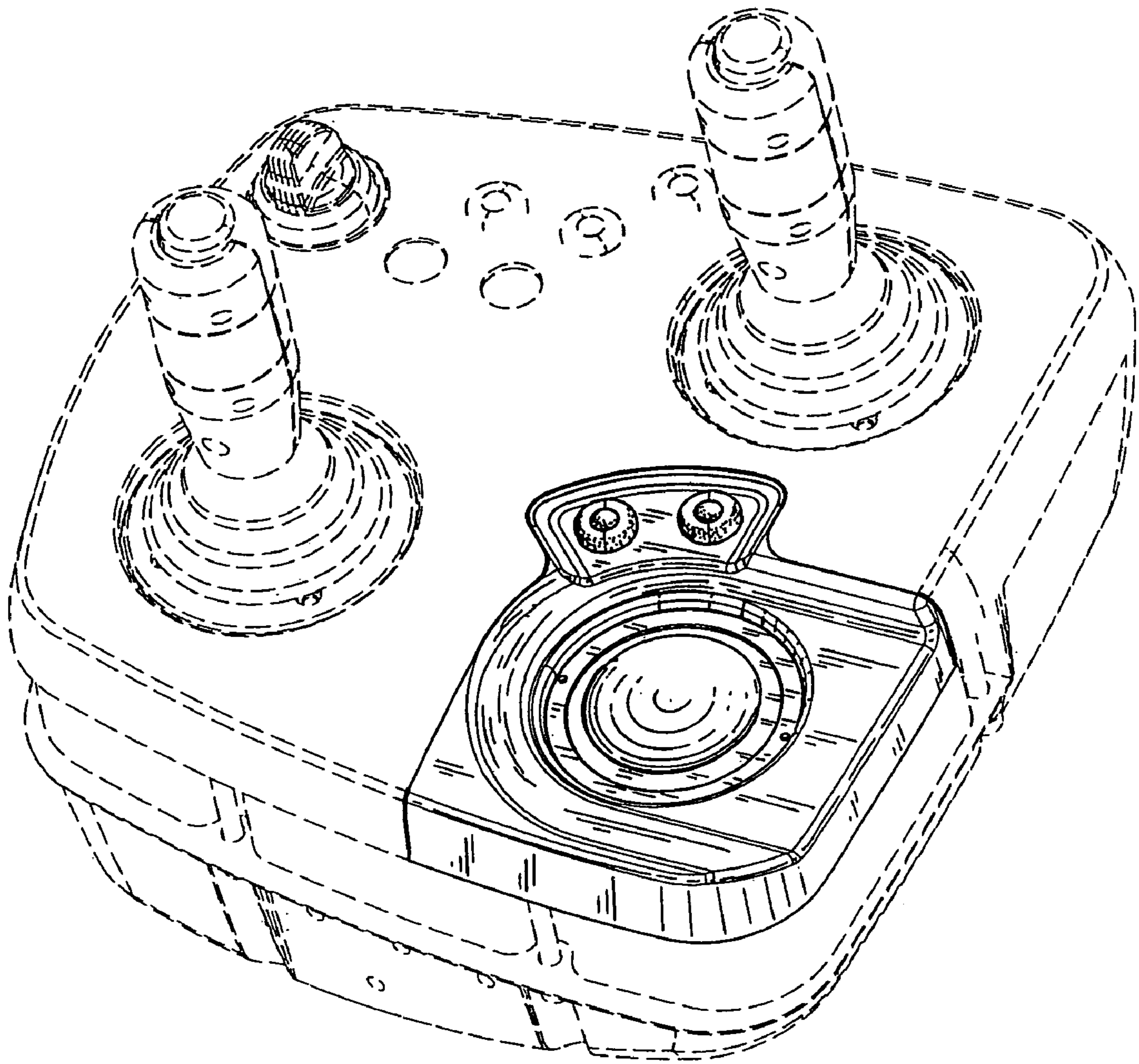


FIG. 8