



US00D553576S

(12) **United States Design Patent**
Nakao et al.

(10) **Patent No.:** **US D553,576 S**
(45) **Date of Patent:** **** Oct. 23, 2007**

- (54) **ELECTROMAGNETIC RELAY**
- (75) Inventors: **Daisuke Nakao**, Kumamoto (JP);
Shinichi Furusho, Kumamoto (JP)
- (73) Assignee: **Omron Corporation**, Kyoto (JP)
- (**) Term: **14 Years**
- (21) Appl. No.: **29/258,748**
- (22) Filed: **Apr. 27, 2006**
- (30) **Foreign Application Priority Data**
 - Oct. 27, 2005 (JP) D2005-031420
 - Oct. 27, 2005 (JP) D2005-031421
- (51) **LOC (8) Cl.** **13-03**
- (52) **U.S. Cl.** **D13/159**
- (58) **Field of Classification Search** D13/158,
D13/159, 160, 161, 133, 149, 151, 182; 335/281,
335/274, 202, 17, 135, 129, 128, 86, 84,
335/83, 81, 80, 78; 200/238, 329; 361/819;
174/564; 337/166, 198, 242, 255, 295; 439/290,
439/397, 745, 855
See application file for complete search history.

- (56) **References Cited**
 - U.S. PATENT DOCUMENTS**
 - 4,837,538 A * 6/1989 Dittmann 335/202
 - D332,773 S * 1/1993 Sato et al. D13/149
 - D337,991 S * 8/1993 Linton et al. D13/133
 - 5,266,046 A * 11/1993 Bogiel 439/290
 - 5,266,056 A * 11/1993 Baderschneider et al. .. 439/745
 - D369,345 S * 4/1996 Burroughs et al. D13/133
 - D409,145 S * 5/1999 Yoshiura D13/133
 - D410,226 S * 5/1999 Yoshiura D13/133
 - 6,118,359 A * 9/2000 Dittmann et al. 335/78

- 6,259,342 B1 * 7/2001 Malingowski et al. 335/202
- 6,940,375 B2 * 9/2005 Sanada et al. 335/86
- D534,129 S * 12/2006 Park D13/151
- D535,625 S * 1/2007 Park D13/151
- 7,205,870 B2 * 4/2007 Sanada et al. 335/78
- 2006/0071741 A1 * 4/2006 Bogdon et al. 335/17

OTHER PUBLICATIONS

EICHHOFFRelais/Relays, HD03005893 dated May 9, 1991.
JP Office Action (and partial English language translation).

* cited by examiner

Primary Examiner—Selina Sikder

Assistant Examiner—Thomas J Johannes

(74) *Attorney, Agent, or Firm*—Harness, Dickey & Pierce

(57) **CLAIM**

The ornamental design for an electromagnetic relay, as shown and described.

DESCRIPTION

FIG. 1 is a front, top, right side perspective view of the first embodiment of the electromagnetic relay showing our new design;

FIG. 2 is a rear, top, right side perspective view thereof;

FIG. 3 is a front elevational view thereof;

FIG. 4 is a rear elevational view thereof;

FIG. 5 is a top plan view thereof;

FIG. 6 is a bottom plan view thereof;

FIG. 7 is a right side elevational view thereof; and,

FIG. 8 is a left side elevational view thereof.

The broken lines shown in the drawings are for illustrative purposes only and form no part of the claimed design.

1 Claim, 6 Drawing Sheets

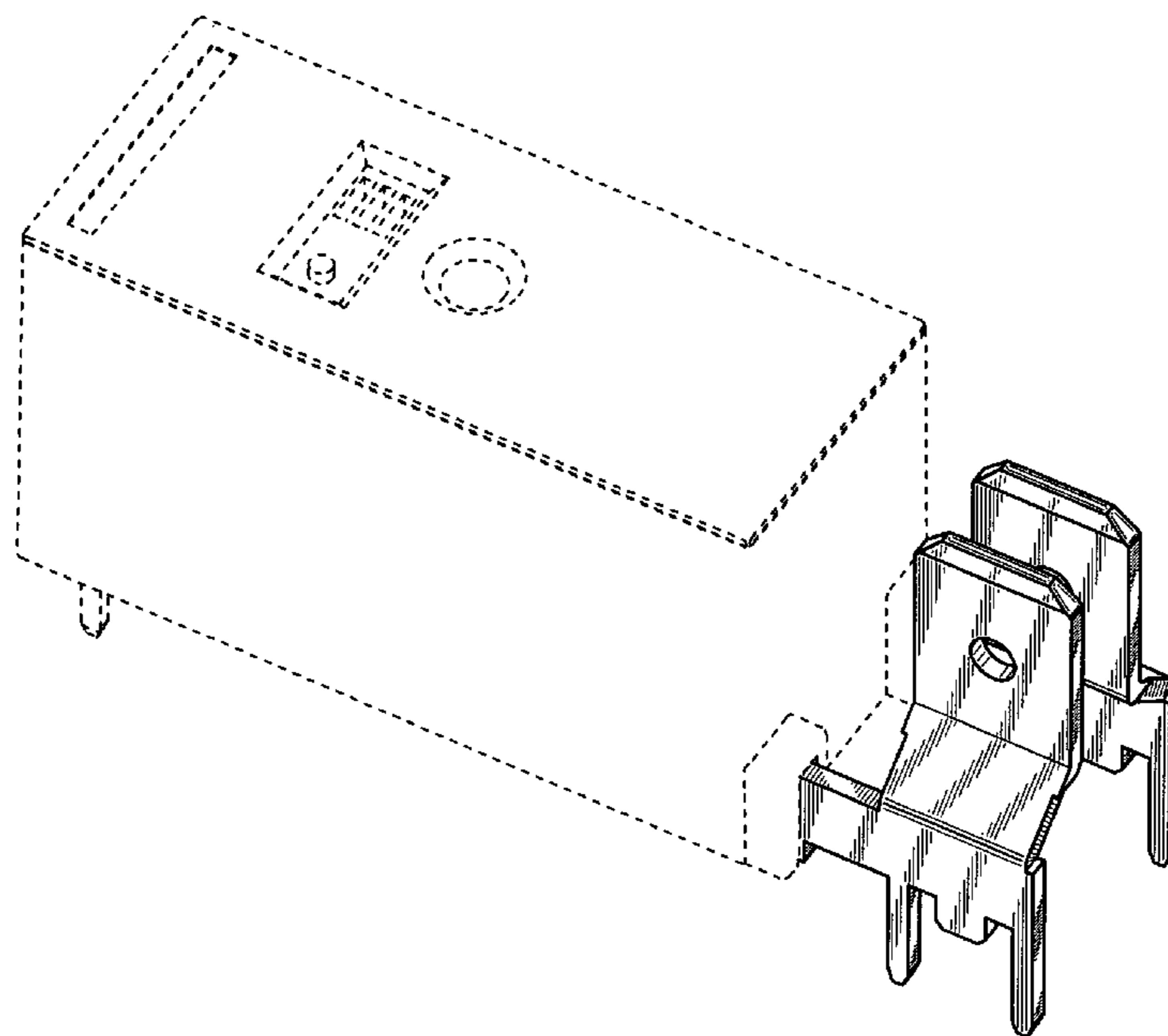
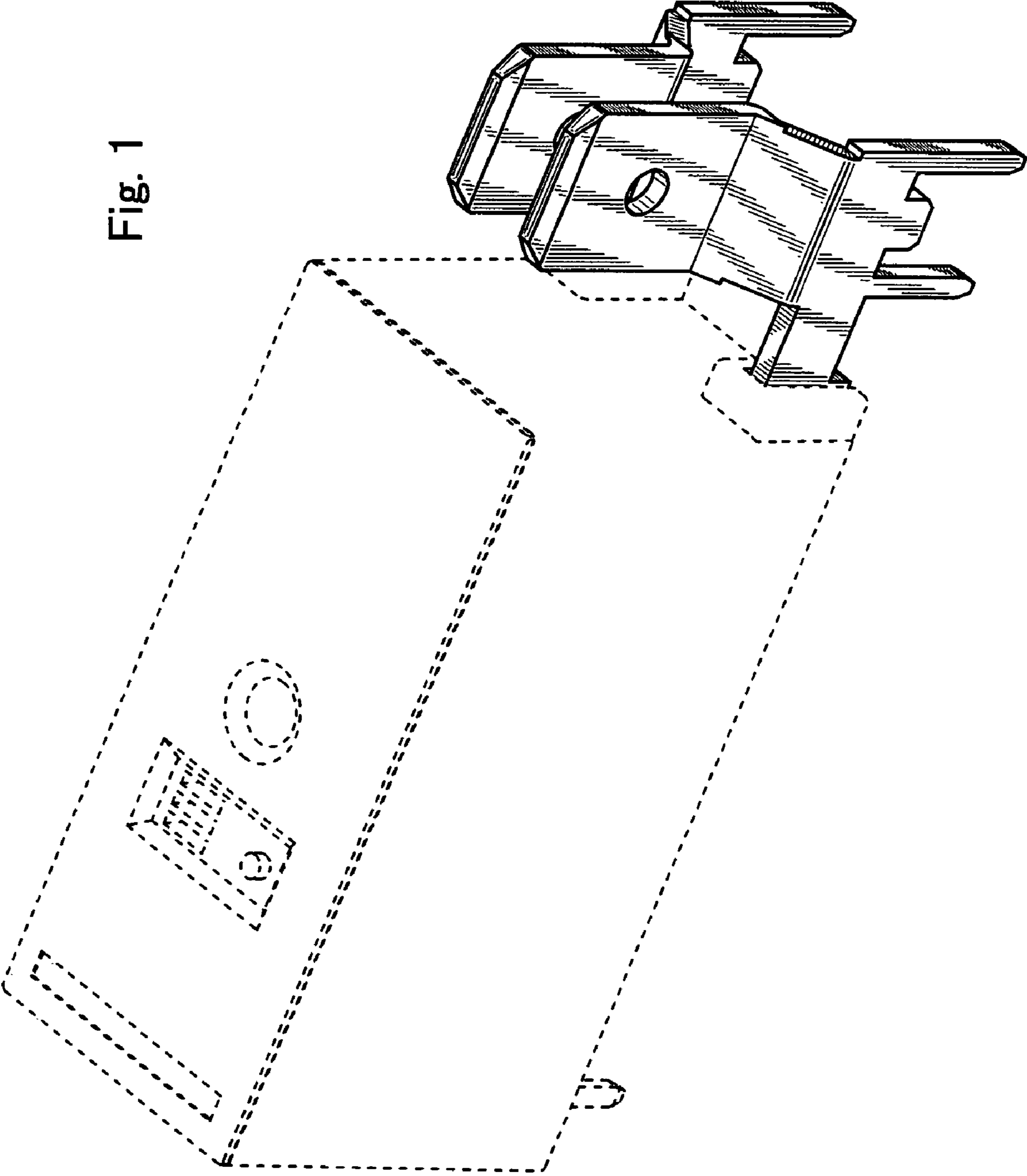


Fig. 1



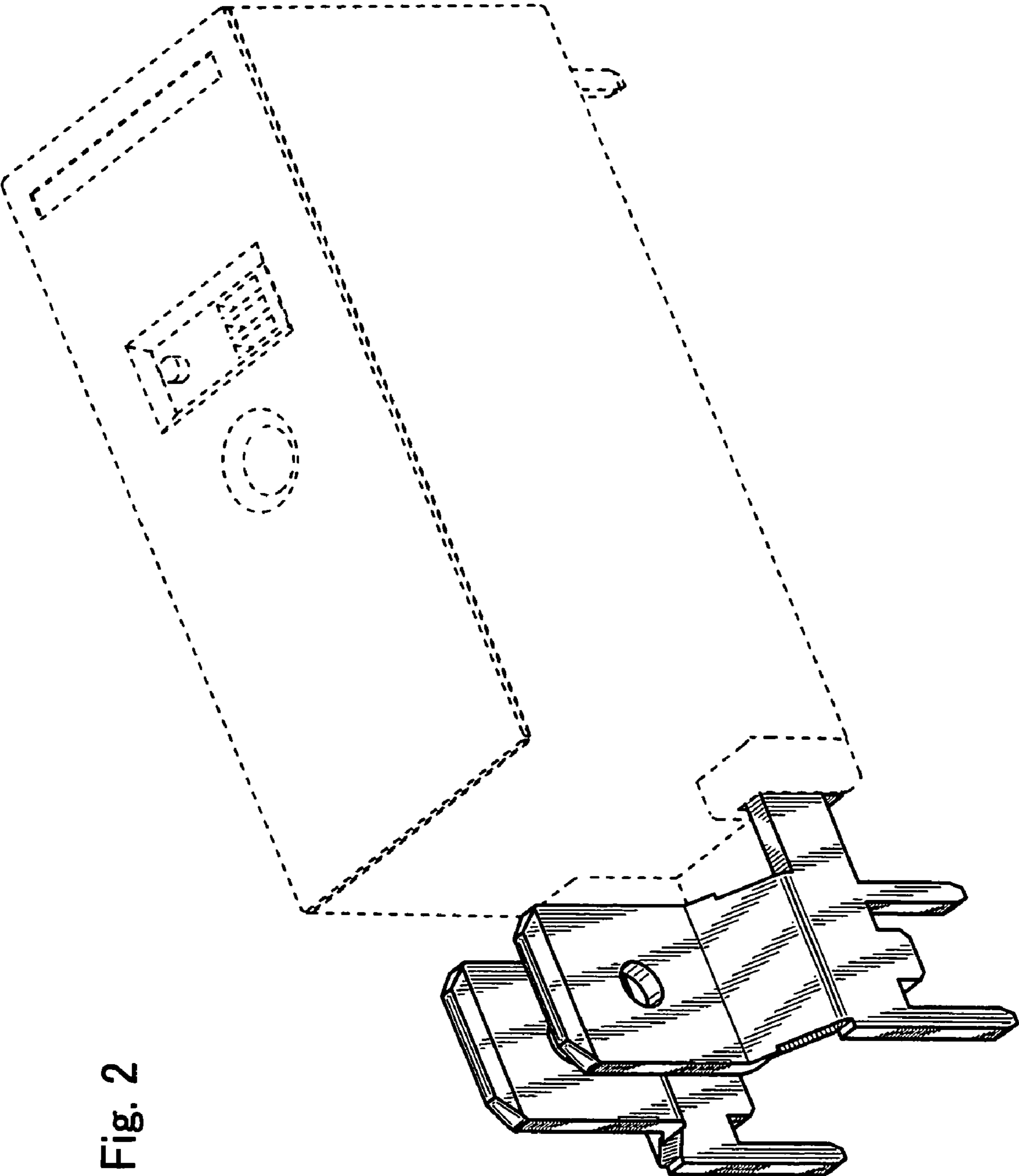


Fig. 2

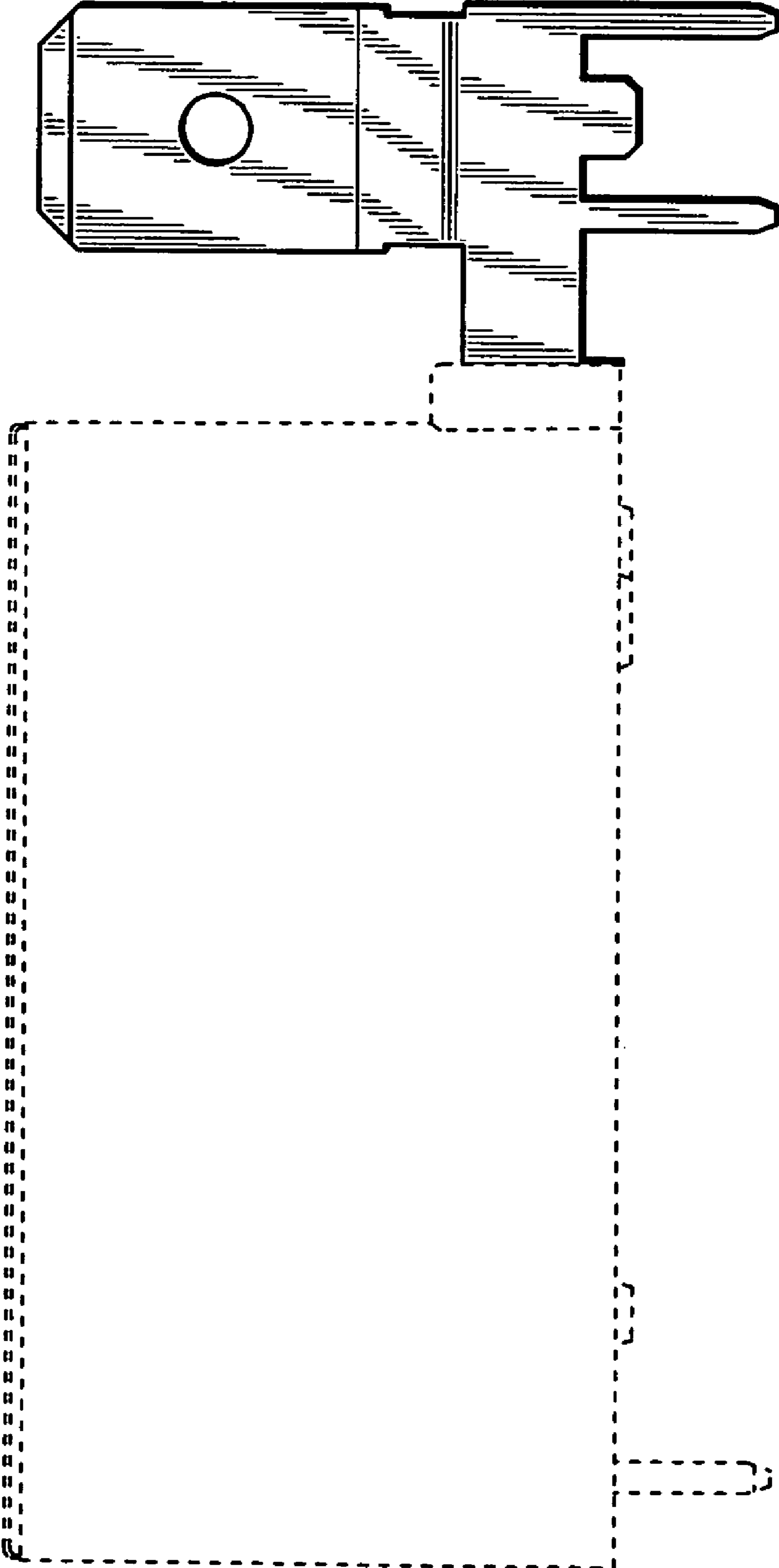


Fig. 3

Fig. 4

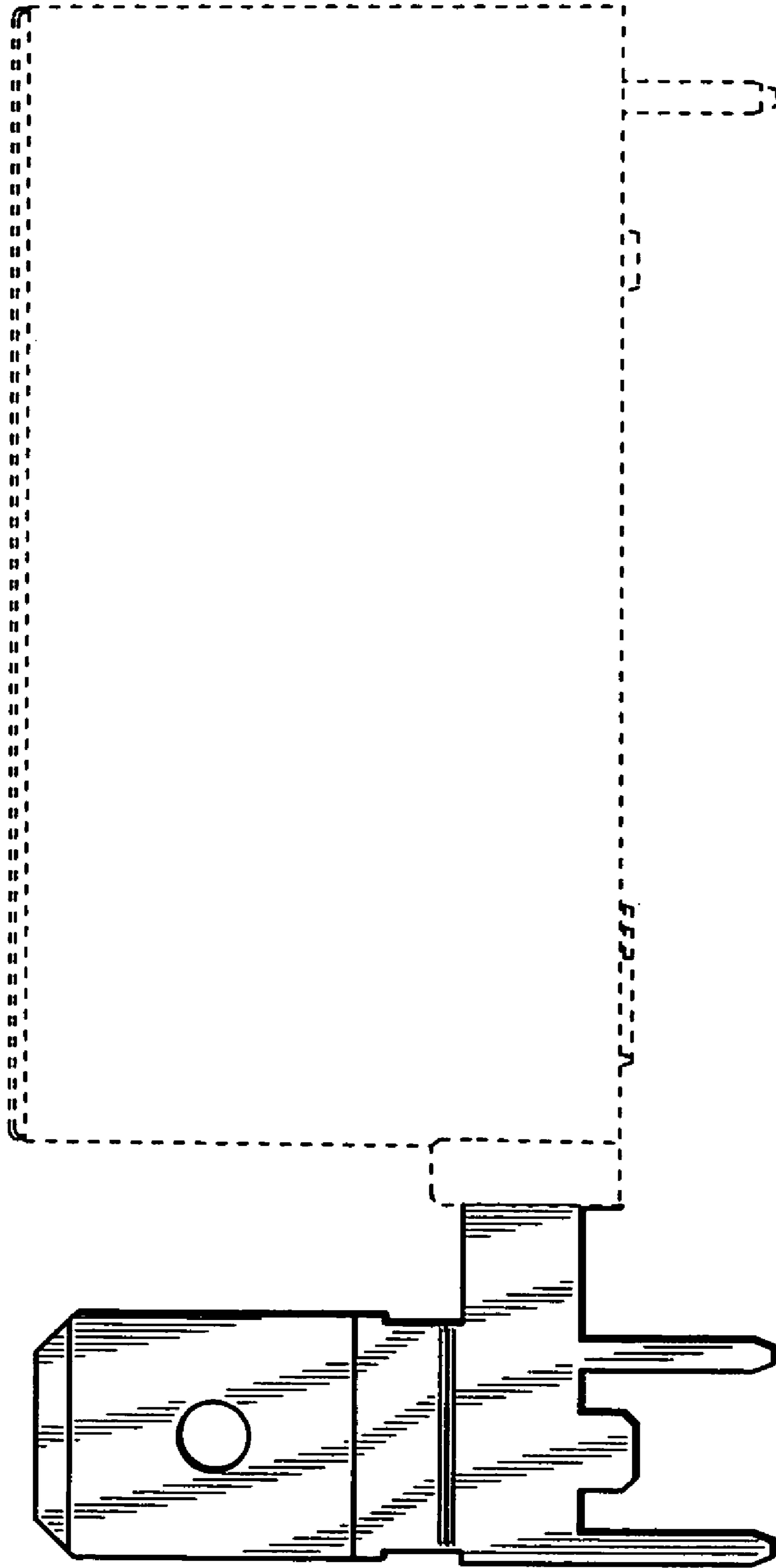


Fig. 5

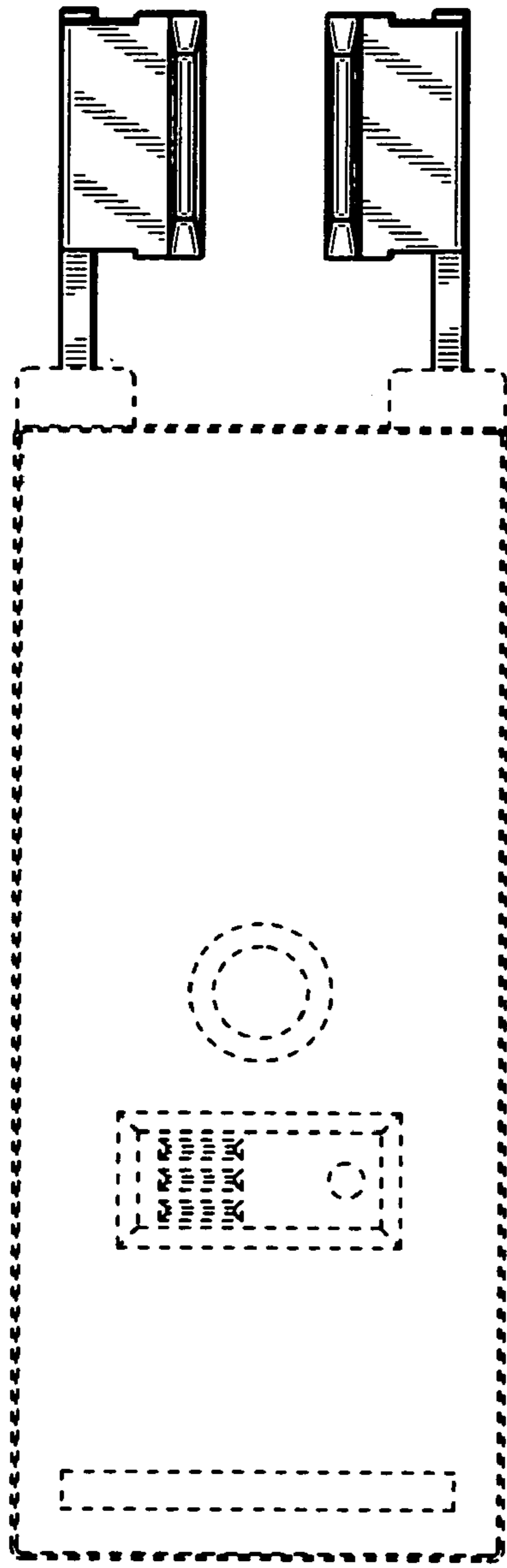


Fig. 6

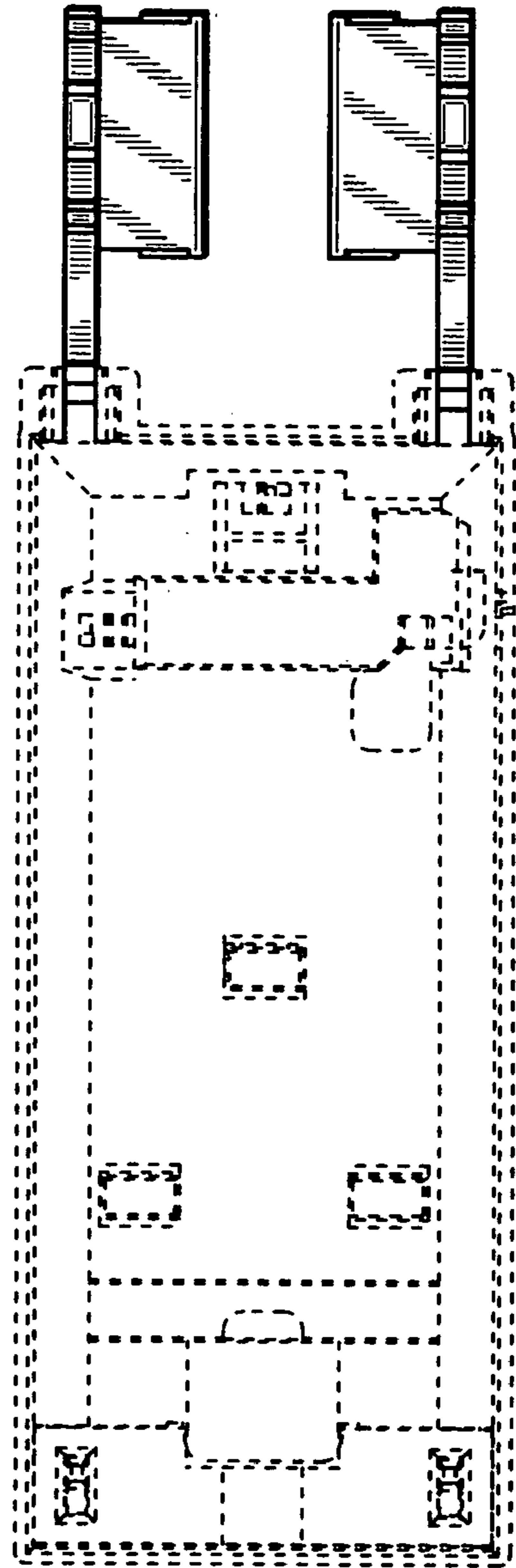


Fig. 8

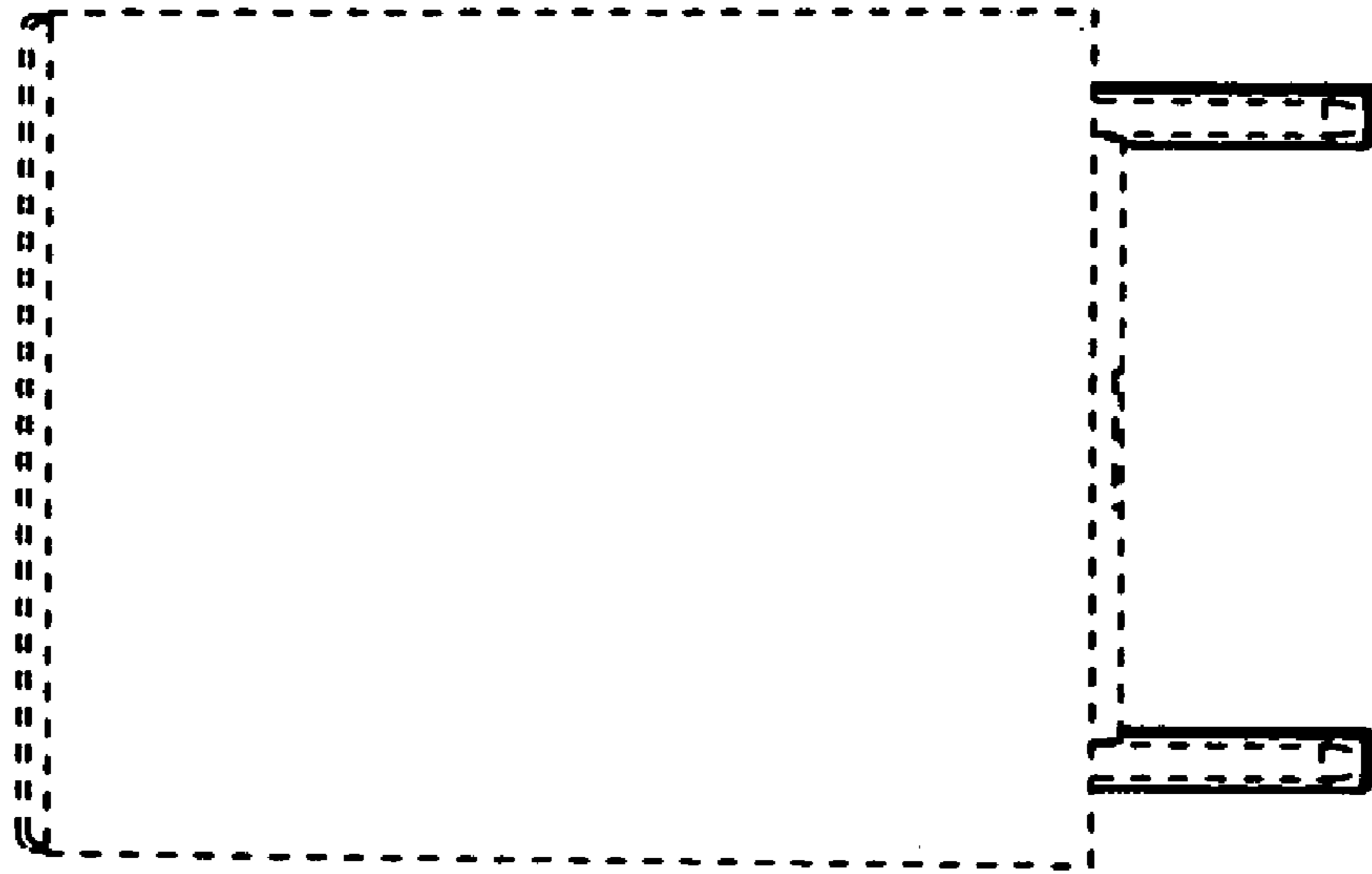


Fig. 7

