



US00D553575S

(12) **United States Design Patent** (10) **Patent No.:** **US D553,575 S**
Littrell et al. (45) **Date of Patent:** **** Oct. 23, 2007**

(54) **CABLE SEAL BODY**
(76) Inventors: **Paul A Littrell**, 5723 Fox Mill Run,
Fort Wayne, IN (US) 46875; **Wanda K
Beard**, 725 N. 250 W., Angola, IN (US)
46703; **David L Gilbert**, 1106
Blackthorn Cove, Fort Wayne, IN (US)
46804
(**) Term: **14 Years**
(21) Appl. No.: **29/259,170**
(22) Filed: **May 4, 2006**
(51) **LOC (8) Cl.** **13-03**
(52) **U.S. Cl.** **D13/154**
(58) **Field of Classification Search** D13/133,
D13/146, 147, 156; 439/447, 483, 606-610,
439/668, 669, 675, 676, 680, 687, 750; 292/307 R,
292/317, 318, 323, 327
See application file for complete search history.

5,352,003 A 10/1994 Bystry
5,359,870 A 11/1994 Reutlinger
5,538,300 A 7/1996 Brown
5,647,620 A * 7/1997 Kuenzel 292/317
5,820,176 A 10/1998 Leon et al.
6,131,969 A * 10/2000 Natkins 292/323
6,155,617 A 12/2000 Kueznel
6,345,847 B1 2/2002 Dreisbach et al.
6,550,830 B2 4/2003 Kueznel
6,719,335 B2 * 4/2004 Velschou et al. 292/307 R
D502,919 S * 3/2005 Studnicky, III D13/146
6,908,125 B2 * 6/2005 Crisp 292/317
D514,520 S * 2/2006 Bahramian D13/147
2003/0116978 A1 * 6/2003 Crisp 292/317
2004/0012211 A1 * 1/2004 Burt 292/327
2004/0222646 A1 * 11/2004 Crisp 292/317
2005/0231365 A1 * 10/2005 Tester et al. 340/568.1
2006/0049646 A1 * 3/2006 Lima Castro 292/318

* cited by examiner

Primary Examiner—Alan P. Douglas
Assistant Examiner—Rosemary K. Tarcza
(74) *Attorney, Agent, or Firm*—Pillsbury Winthrop Shaw
Pittman, LLP

(56) **References Cited**
U.S. PATENT DOCUMENTS

830,565 A 9/1906 Brown
918,570 A 4/1909 Mather
1,139,595 A 5/1915 Starr
1,577,678 A 3/1926 Behrman
2,740,654 A * 4/1956 Orschel 292/323
3,770,307 A 11/1973 Van Gompel
3,994,521 A 11/1976 Van Gompel
4,049,303 A 9/1977 Irwin et al.
4,074,916 A 2/1978 Schindler
4,141,117 A 2/1979 Van Gompel
4,216,568 A 8/1980 Anderson
4,280,726 A 7/1981 McCoag
4,640,538 A 2/1987 Brammall
4,681,356 A 7/1987 Brammall
D293,433 S * 12/1987 Brooks et al. D13/146
4,747,631 A 5/1988 Loynes et al.
5,092,641 A 3/1992 Penick, Jr.
5,147,145 A 9/1992 Facey et al.
5,222,776 A 6/1993 Georgopoulos et al.

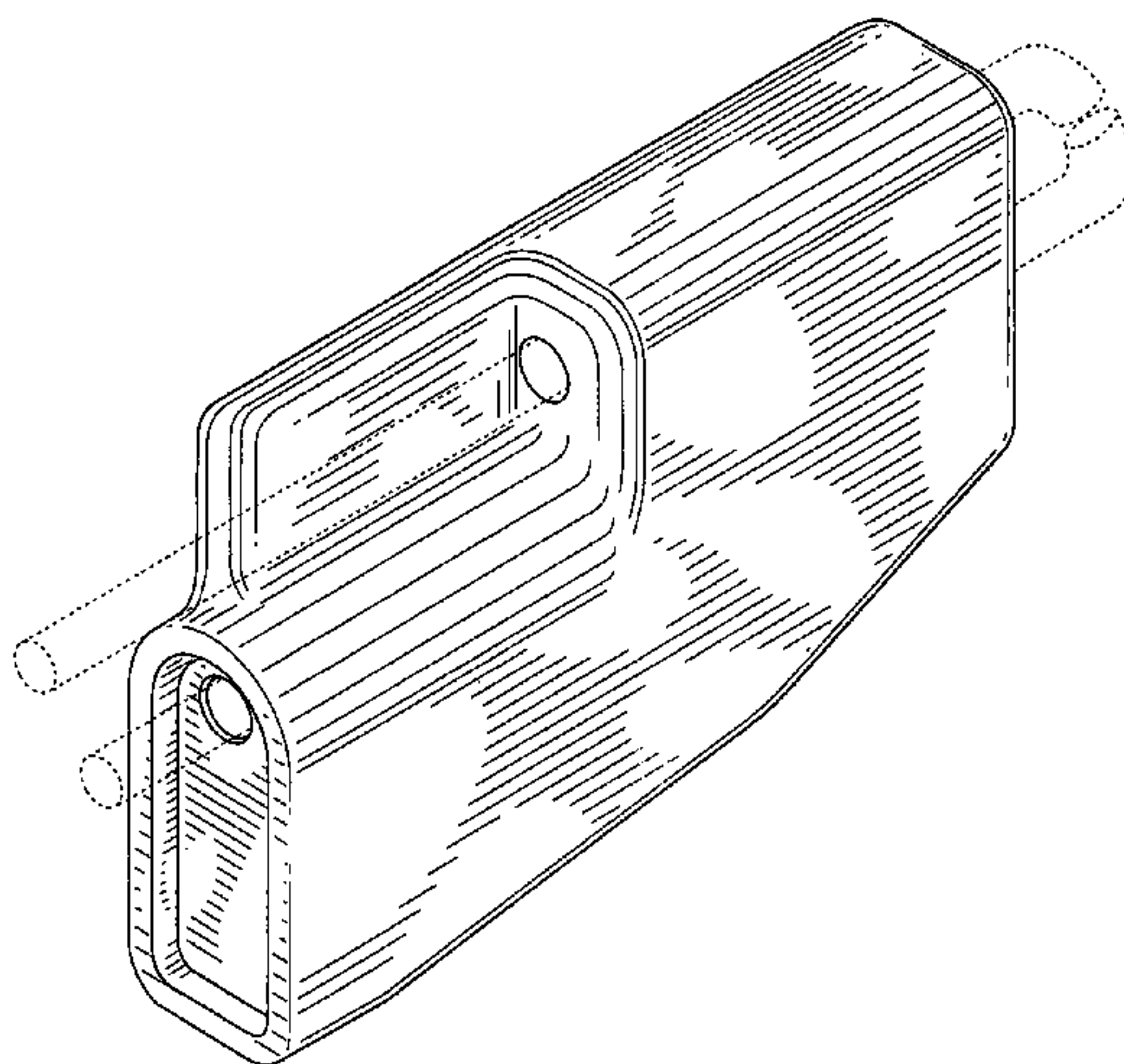
(57) **CLAIM**

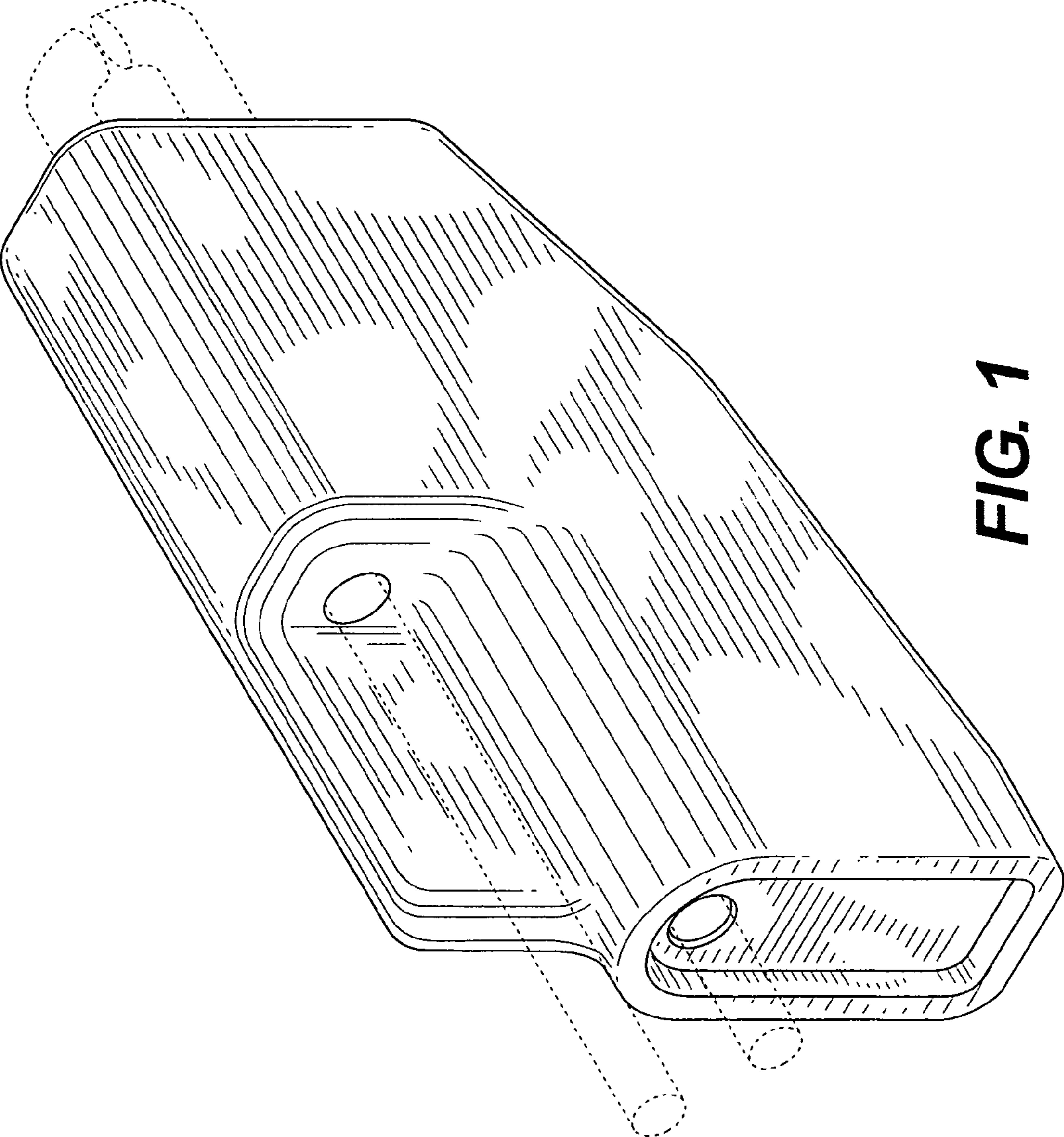
The ornamental design for a cable seal body, as shown and described.

DESCRIPTION

FIG. 1 is a perspective illustration of the cable seal body according to our design, the perspective being from the top rear of the cable seal body;
FIG. 2 is a left side view thereof;
FIG. 3 is a right side view thereof;
FIG. 4 is a top plan view thereof;
FIG. 5 is a bottom plan view thereof;
FIG. 6 is a rear end view thereof; and,
FIG. 7 is a front end view thereof.

1 Claim, 4 Drawing Sheets





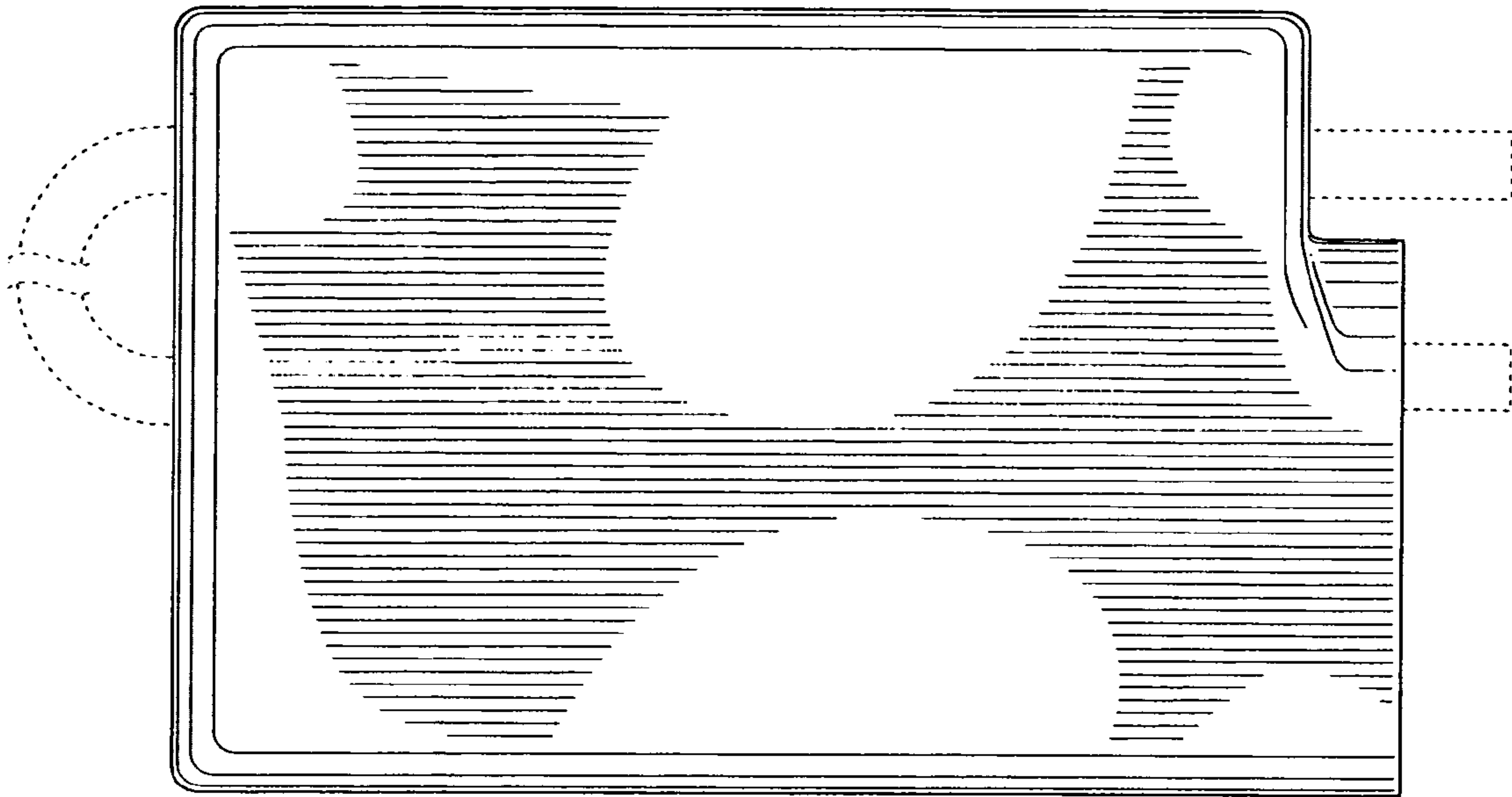


FIG. 2

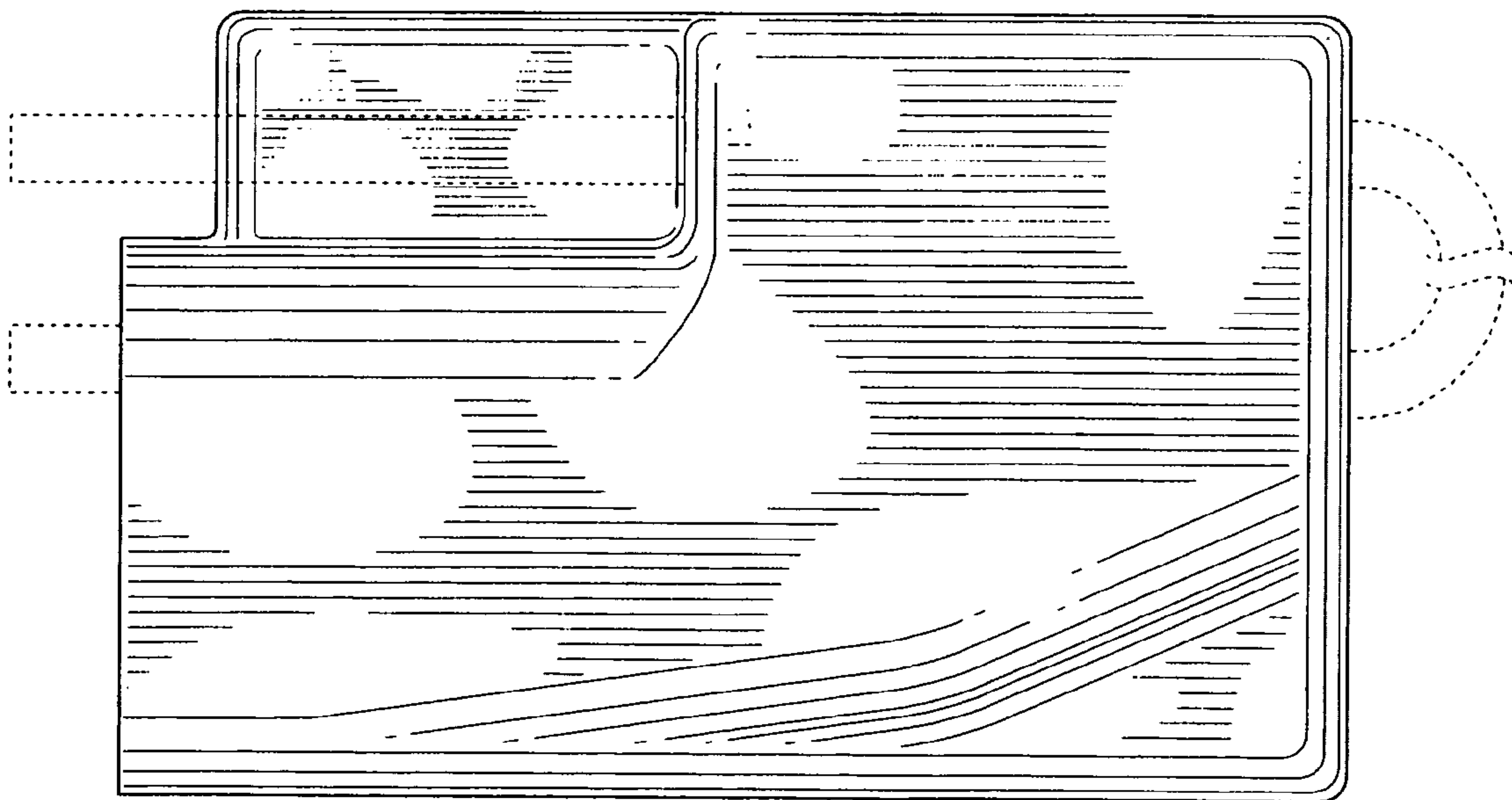


FIG. 3

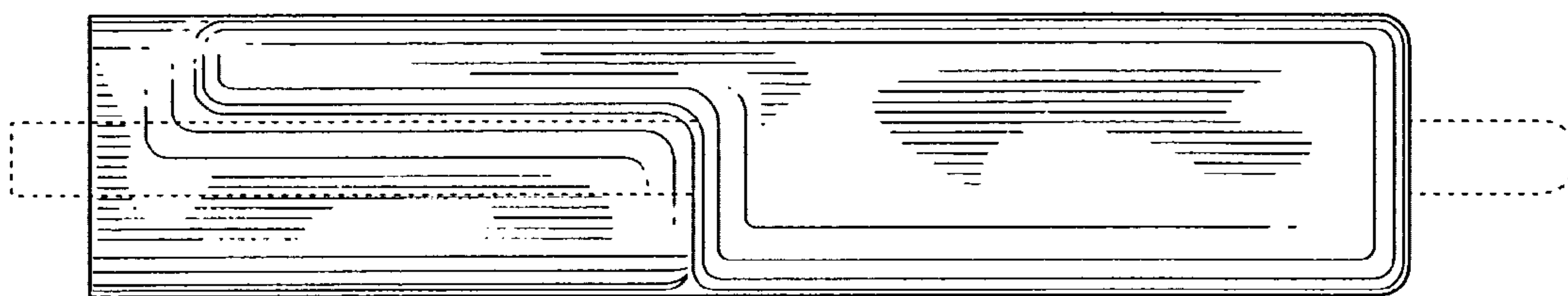


FIG. 4

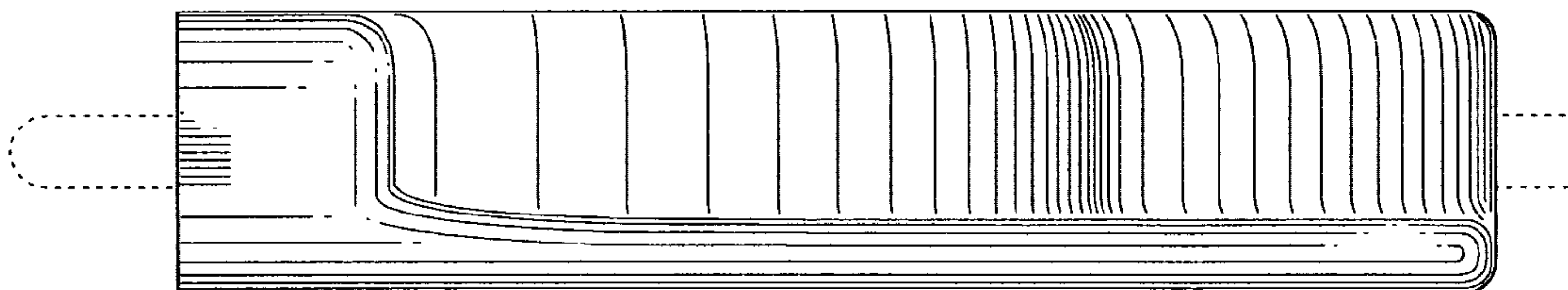


FIG. 5

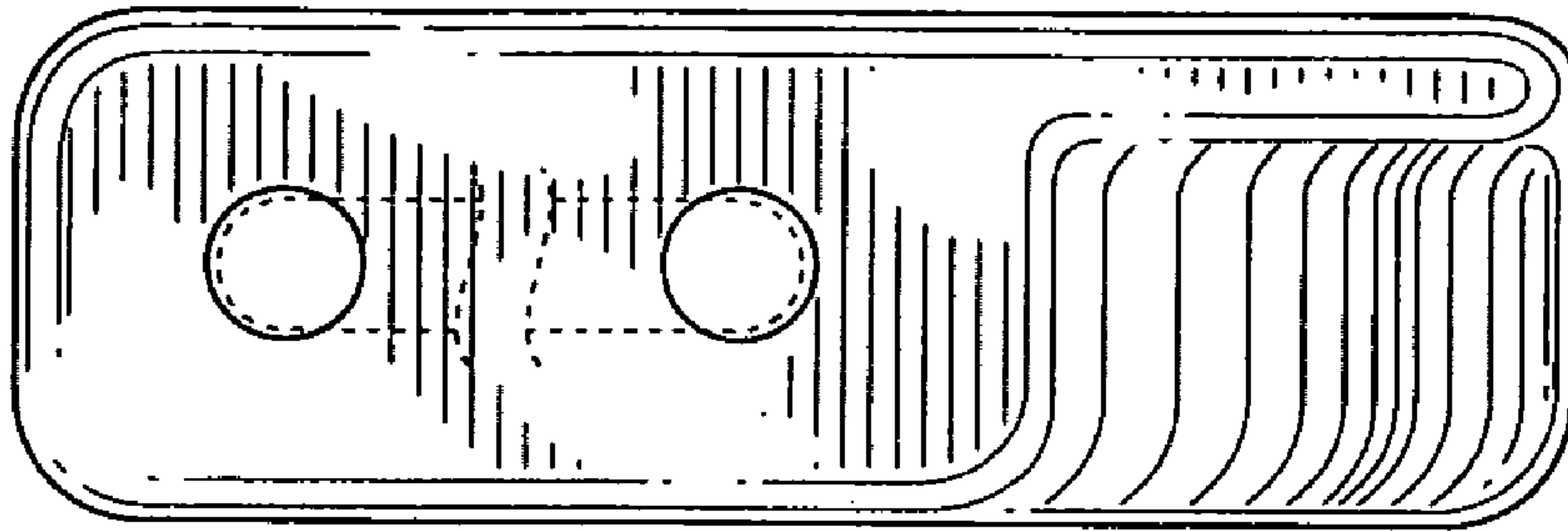


FIG. 7

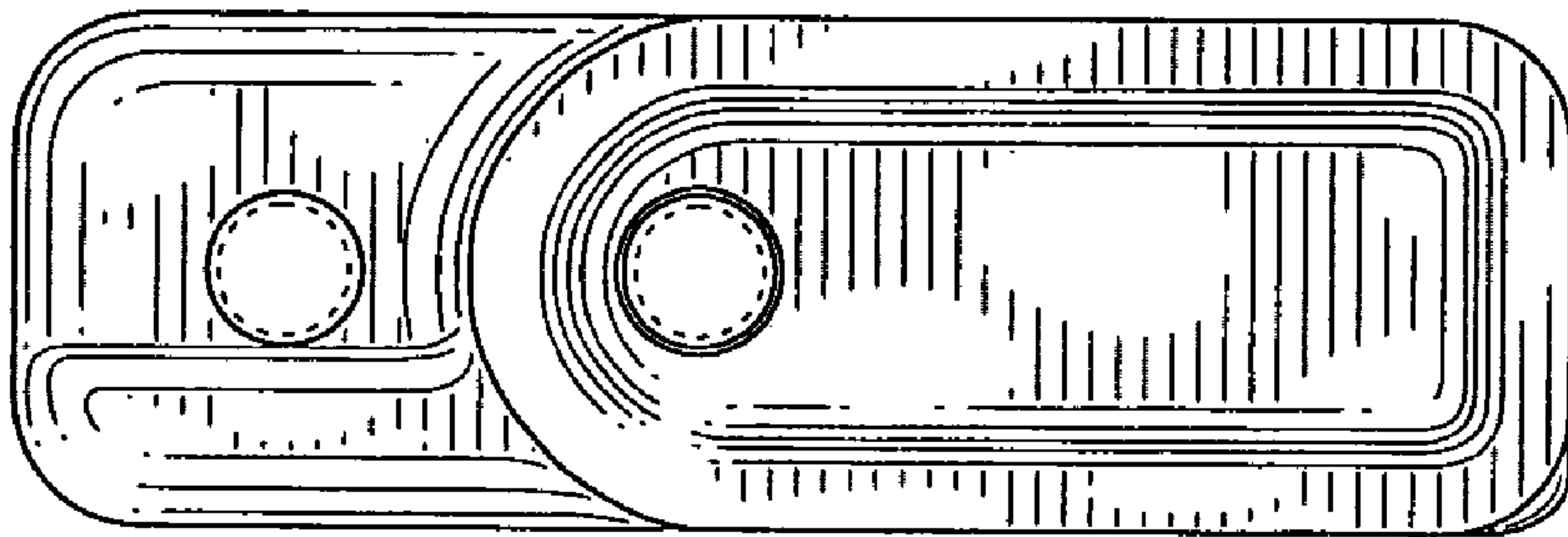


FIG. 6