



US00D553571S

(12) **United States Design Patent**
Carpenter et al.

(10) **Patent No.:** **US D553,571 S**

(45) **Date of Patent:** **** Oct. 23, 2007**

(54) **MICROCONTROLLER ENCLOSURE HOUSING**

(75) Inventors: **Joel R. Carpenter**, Zimmerman, MN (US); **Cezary Pluska**, Kiel (DE)

(73) Assignee: **Sauer-Danfoss Inc.**, Ames, IA (US)

(**) Term: **14 Years**

(21) Appl. No.: **29/200,217**

(22) Filed: **Feb. 25, 2004**

(51) **LOC (8) Cl.** **13-03**

(52) **U.S. Cl.** **D13/147**

(58) **Field of Classification Search** D13/110, D13/123, 133, 146, 147, 154, 184, 199; 439/135, 439/180, 259, 278, 290-292, 295, 483, 527, 439/529, 533, 540.1, 569, 752.5, 892, 894
See application file for complete search history.

(56) **References Cited**

U.S. PATENT DOCUMENTS

- D327,880 S * 7/1992 Lou D14/357
- D330,704 S * 11/1992 Wagner D14/242
- D331,395 S * 12/1992 Lou D14/357
- D332,938 S * 2/1993 Lambert et al. D13/133

- D339,116 S * 9/1993 Gates et al. D14/433
- D367,039 S * 2/1996 Loh D13/147
- D477,814 S * 7/2003 Droulin et al. D13/162.1
- D494,544 S * 8/2004 Dulai et al. D13/133
- D526,614 S * 8/2006 Kajiura D13/110

* cited by examiner

Primary Examiner—Daniel Bui

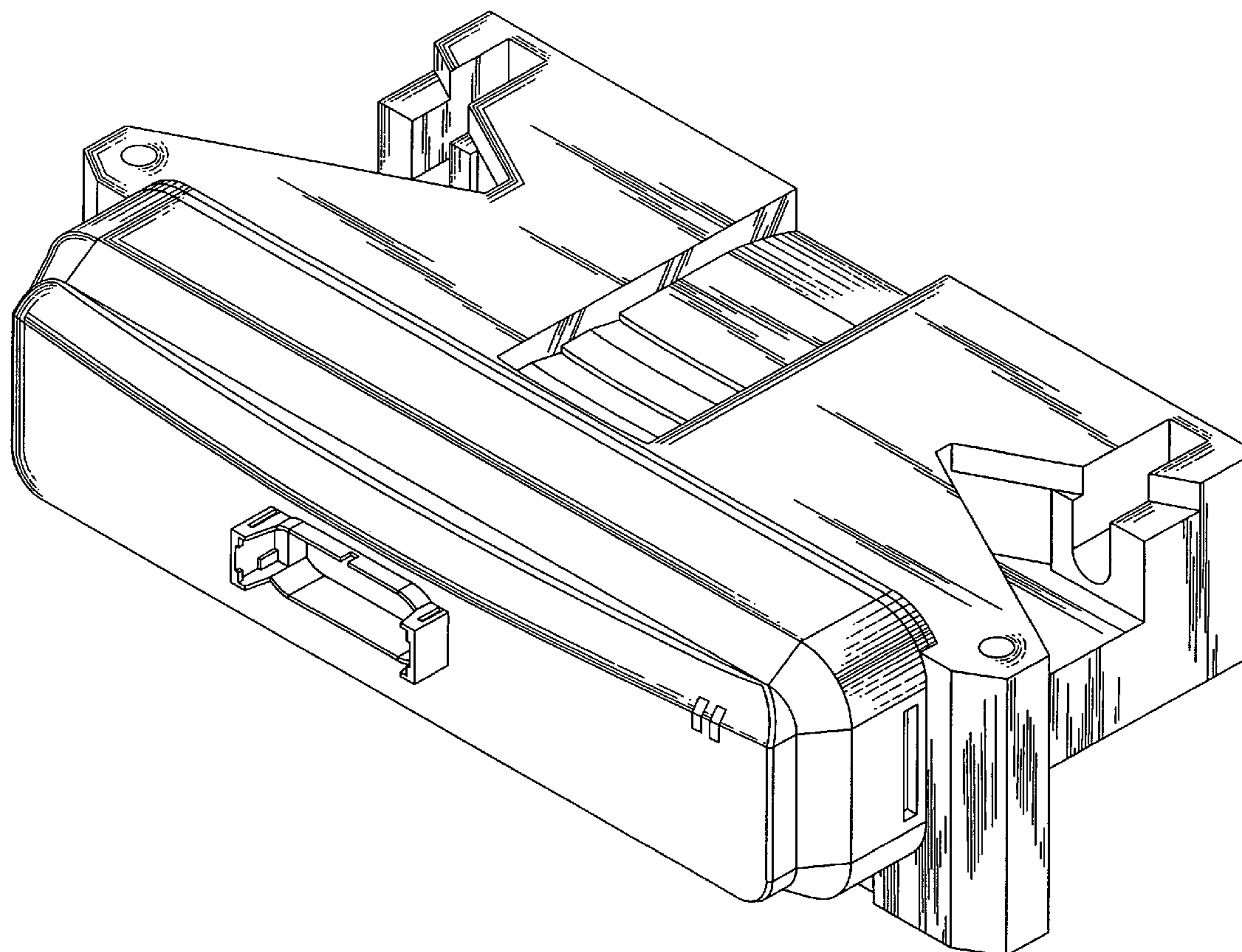
(57) **CLAIM**

The ornamental design for a microcontroller enclosure housing, as shown and described.

DESCRIPTION

FIG. 1 is a front, top and right side perspective view of a microcontroller enclosure housing, showing our new design; FIG. 2 is a front elevation view thereof; FIG. 3 is a right side elevation view thereof; FIG. 4 is a left side elevation view thereof; FIG. 5 is an rear elevation view thereof; FIG. 6 is a top plan view thereof; and, FIG. 7 is a bottom plan view thereof.

1 Claim, 7 Drawing Sheets



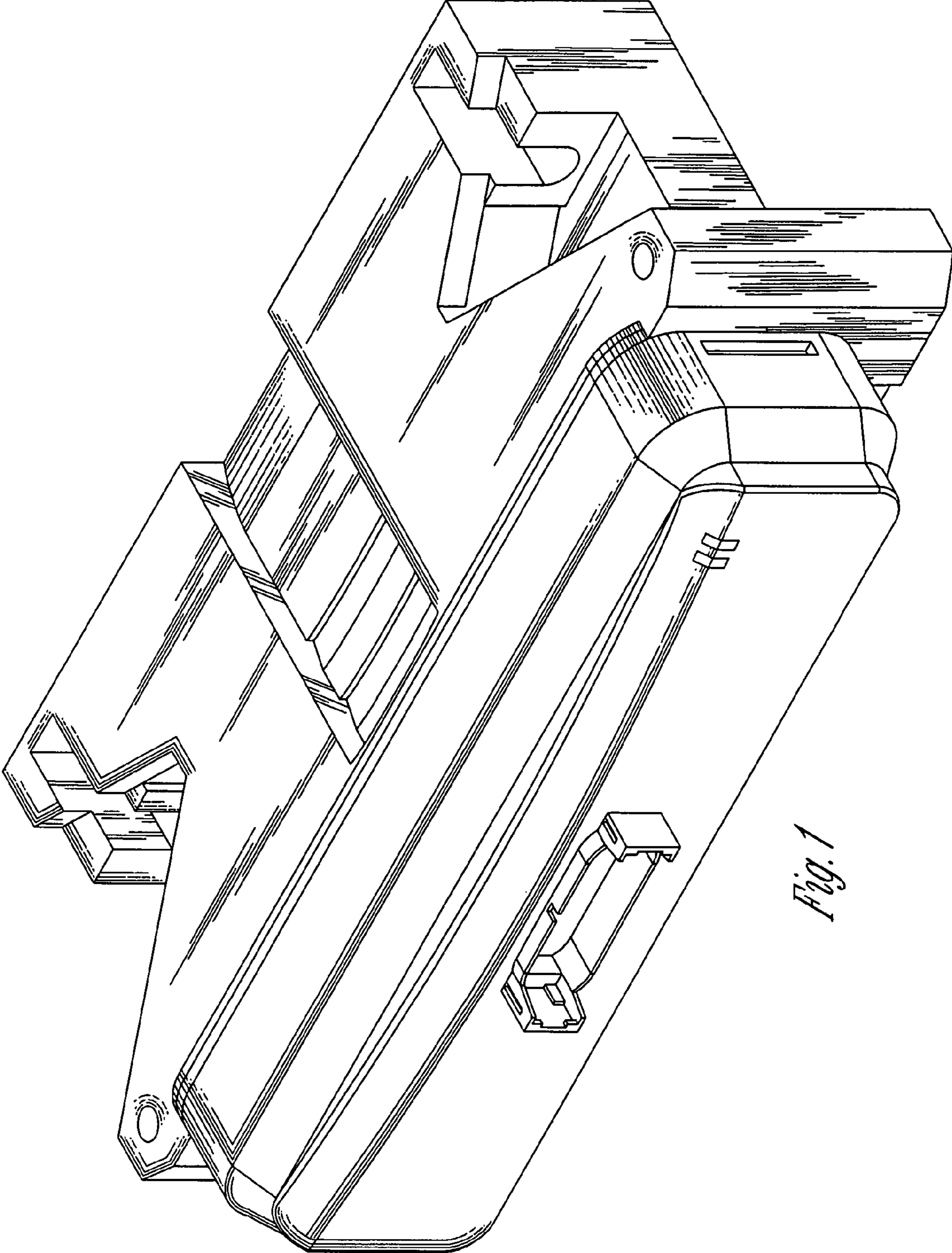


Fig. 1

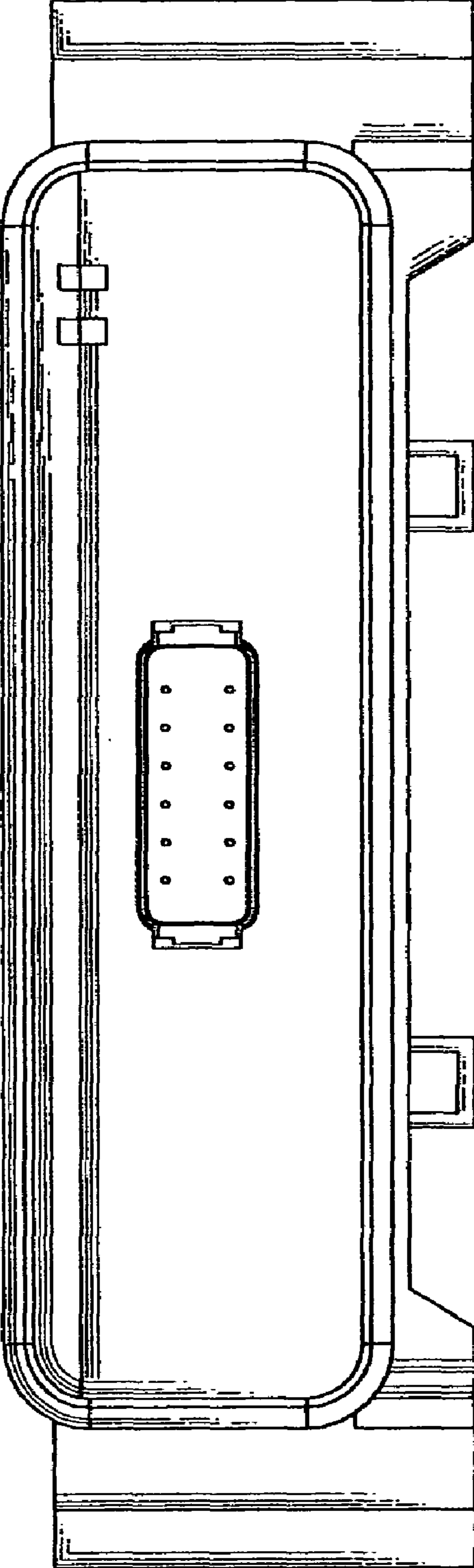


Fig. 2

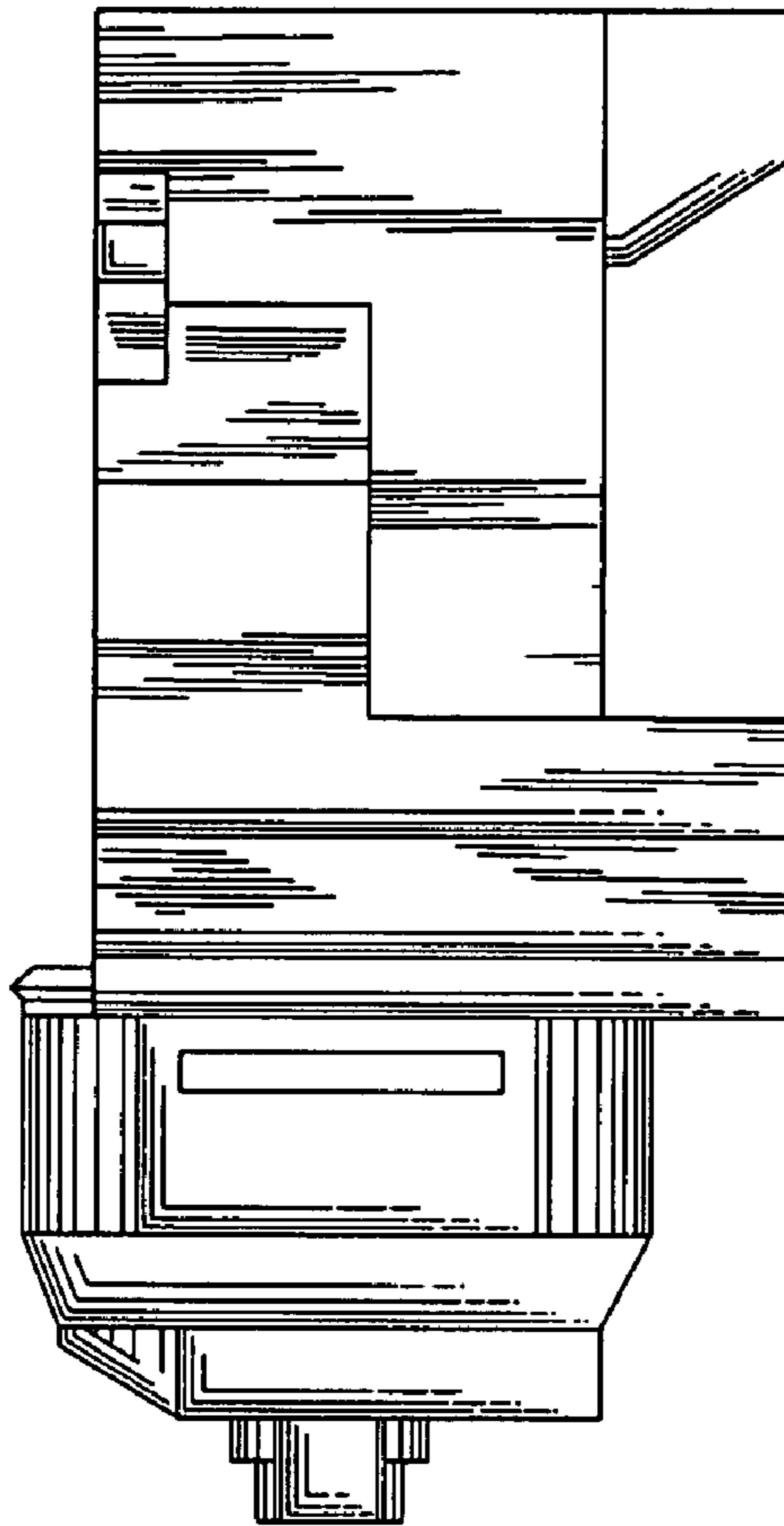


Fig. 3

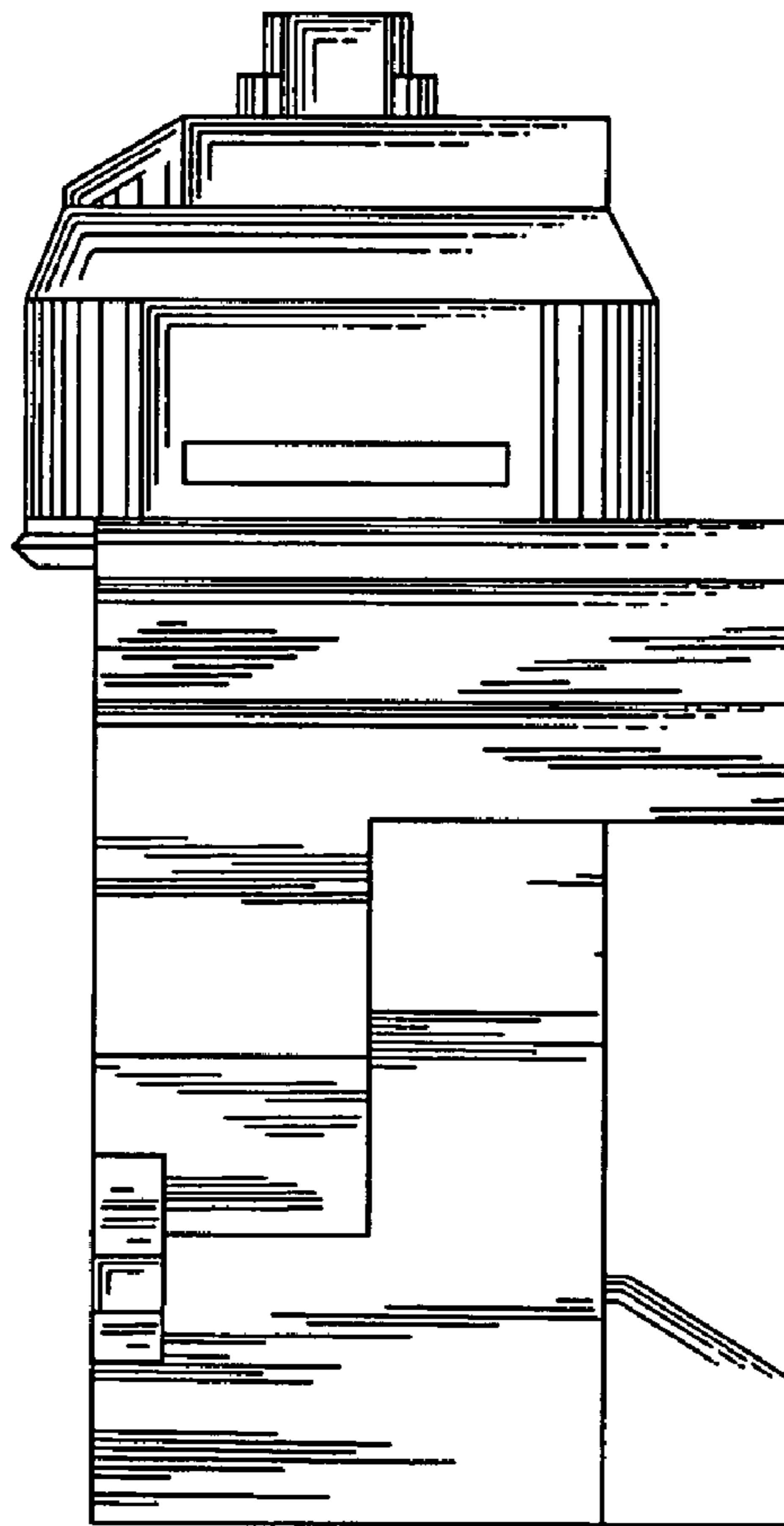


Fig. 4

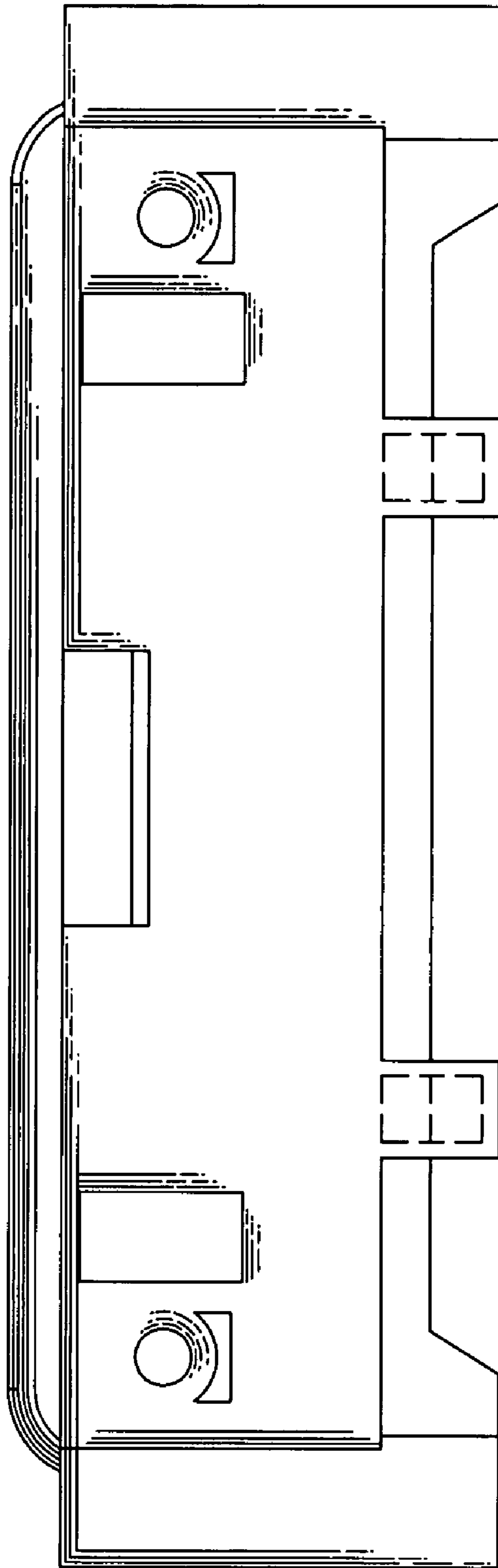


Fig. 5

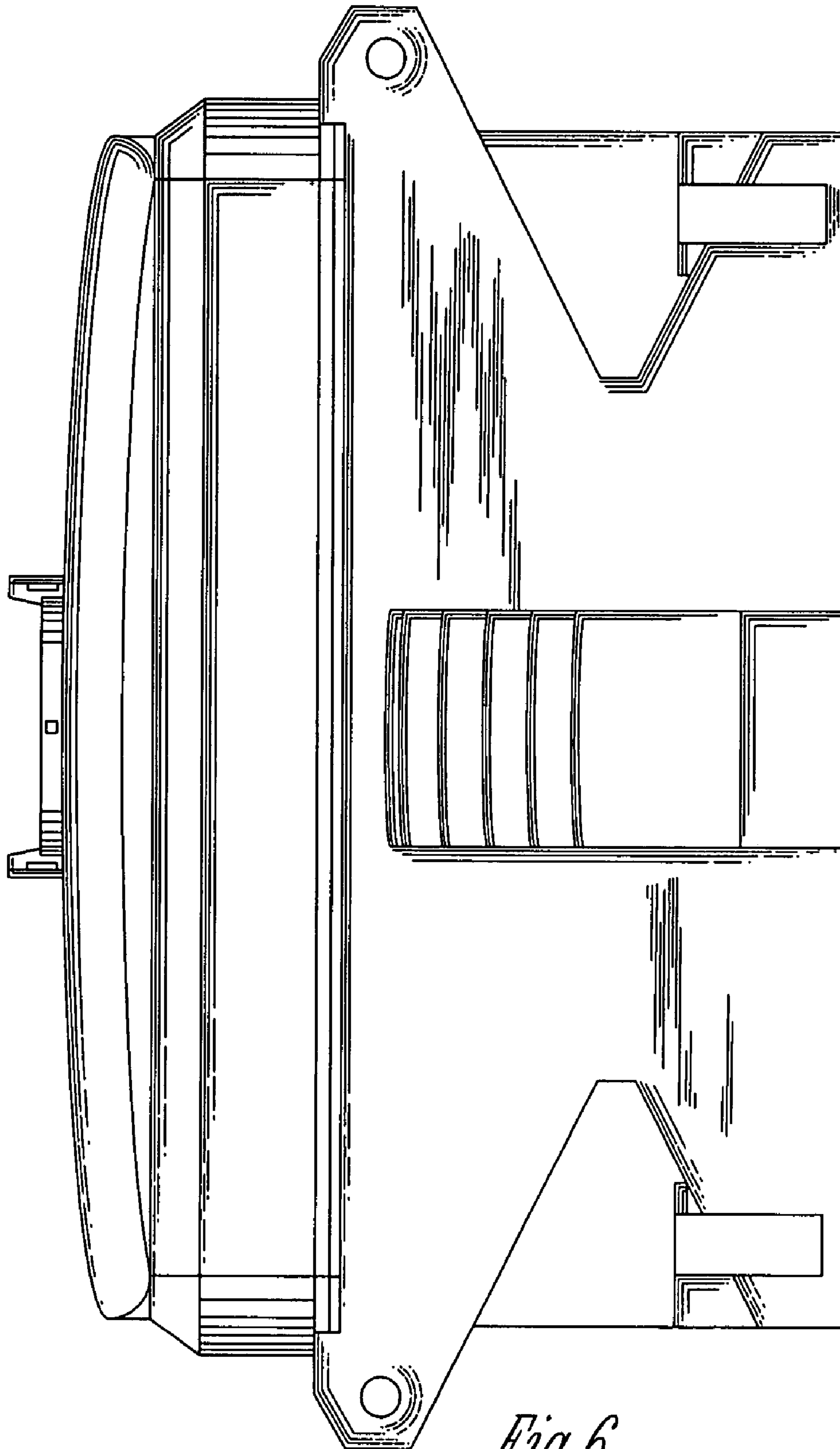


Fig. 6

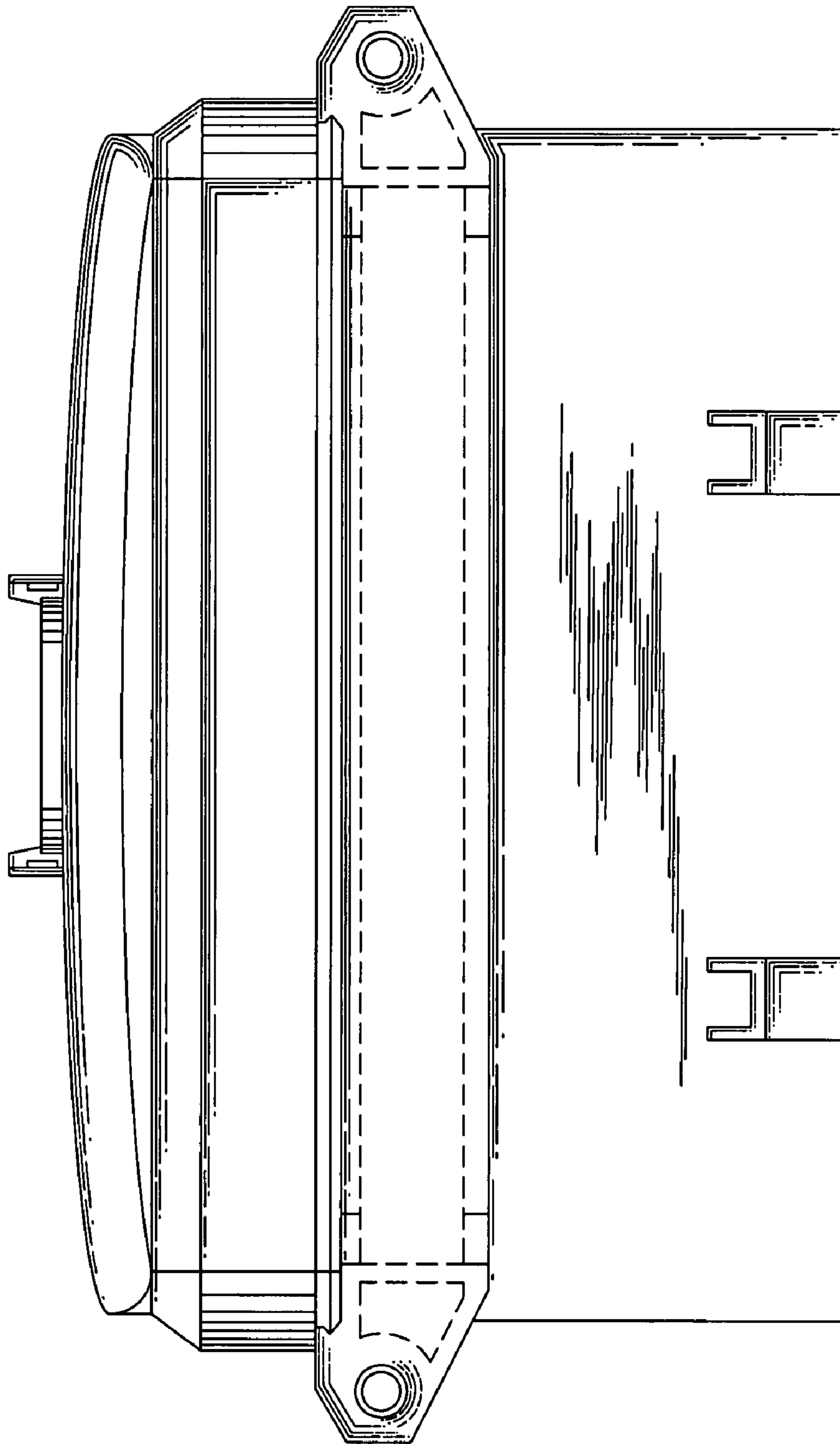


Fig. 7