



US00D553566S

(12) **United States Design Patent**  
**Katoh et al.**

(10) **Patent No.:** **US D553,566 S**

(45) **Date of Patent:** **\*\* Oct. 23, 2007**

(54) **CAPACITOR MODULE**

(75) Inventors: **Hisashi Katoh**, Wako (JP); **Koichi Yamamoto**, Wako (JP); **Makoto Kawahara**, Wako (JP)

(73) Assignee: **Honda Motor Co., Ltd.**, Tokyo (JP)

(\*\*) Term: **14 Years**

(21) Appl. No.: **29/242,432**

(22) Filed: **Nov. 10, 2005**

(30) **Foreign Application Priority Data**

May 12, 2005 (JP) ..... 2005-013604

(51) **LOC (8) Cl.** ..... **13-03**

(52) **U.S. Cl.** ..... **D13/125**

(58) **Field of Classification Search** ..... D13/123,  
D13/125, 133, 154, 184; 361/271, 277, 301.1,  
361/301.2, 301.3, 301.4, 328-329, 763; 438/171,  
438/190, 238-239, 381, 386, 393, 396  
See application file for complete search history.

(56) **References Cited**

**U.S. PATENT DOCUMENTS**

3,377,530 A \* 4/1968 Meyers ..... 361/299.5  
D216,797 S \* 3/1970 Bowen et al. .... D13/125  
D246,453 S \* 11/1977 Chermak et al. .... D13/125

4,633,369 A \* 12/1986 Lapp et al. .... 361/328  
6,922,330 B2 \* 7/2005 Nielsen et al. .... 361/508  
6,936,917 B2 \* 8/2005 Lopata et al. .... 257/704  
2006/0039099 A1 \* 2/2006 Oizumi ..... 361/502  
2006/0262482 A1 \* 11/2006 Yamamoto et al. .... 361/329

\* cited by examiner

*Primary Examiner*—Daniel Bui

(74) *Attorney, Agent, or Firm*—Arent Fox LLP

(57) **CLAIM**

The ornamental design for a capacitor module, as shown and described.

**DESCRIPTION**

FIG. 1 is a front elevation view of a capacitor module, showing our new design;

FIG. 2 is a rear elevation view thereof;

FIG. 3 is a bottom plan view thereof;

FIG. 4 is a top plan view thereof;

FIG. 5 is a left side elevation view thereof;

FIG. 6 is a right side elevation view thereof;

FIG. 7 is a front, top and left side perspective view thereof; and,

FIG. 8 is a rear, bottom and right side perspective view thereof.

**1 Claim, 8 Drawing Sheets**

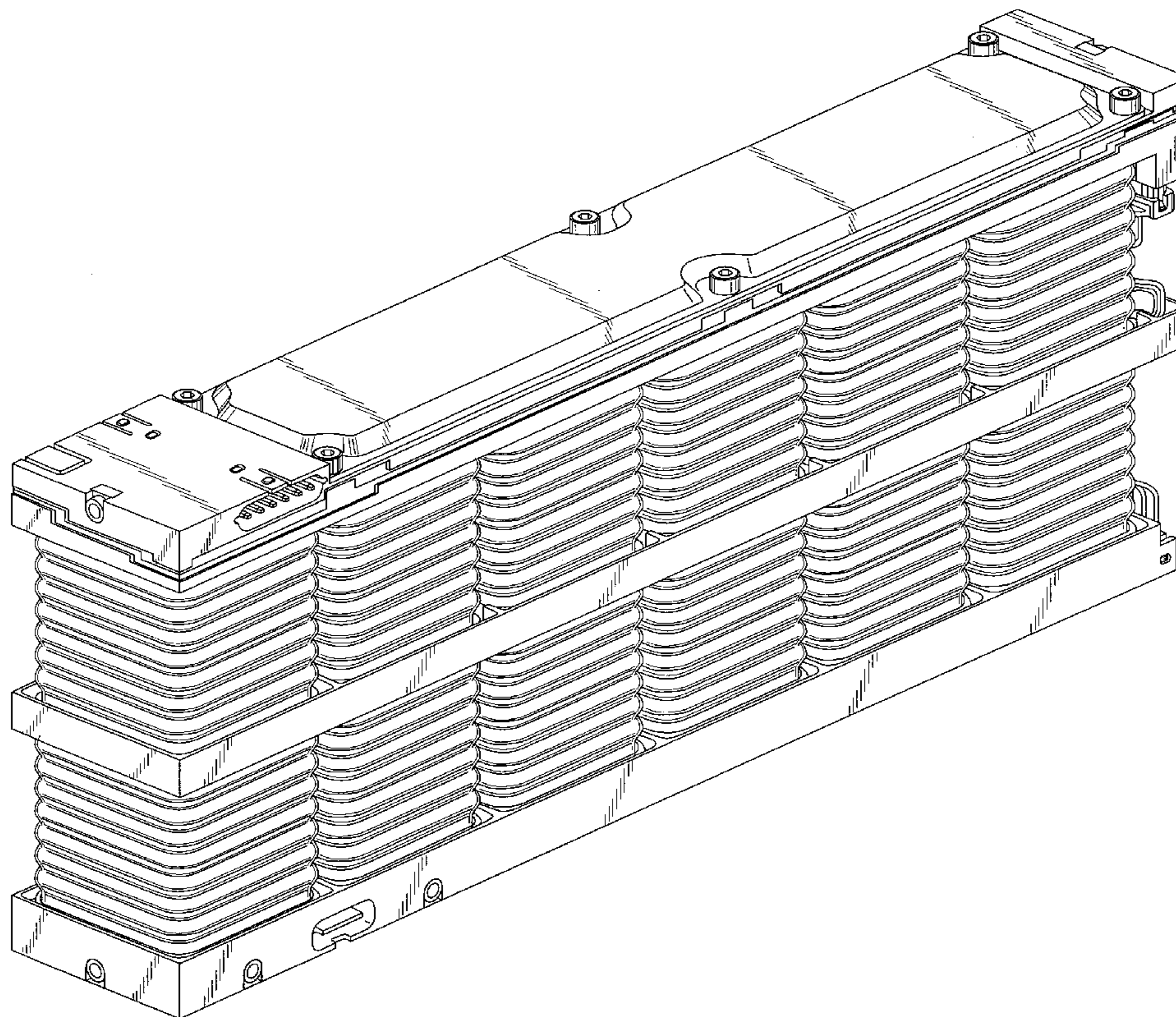


FIG.1

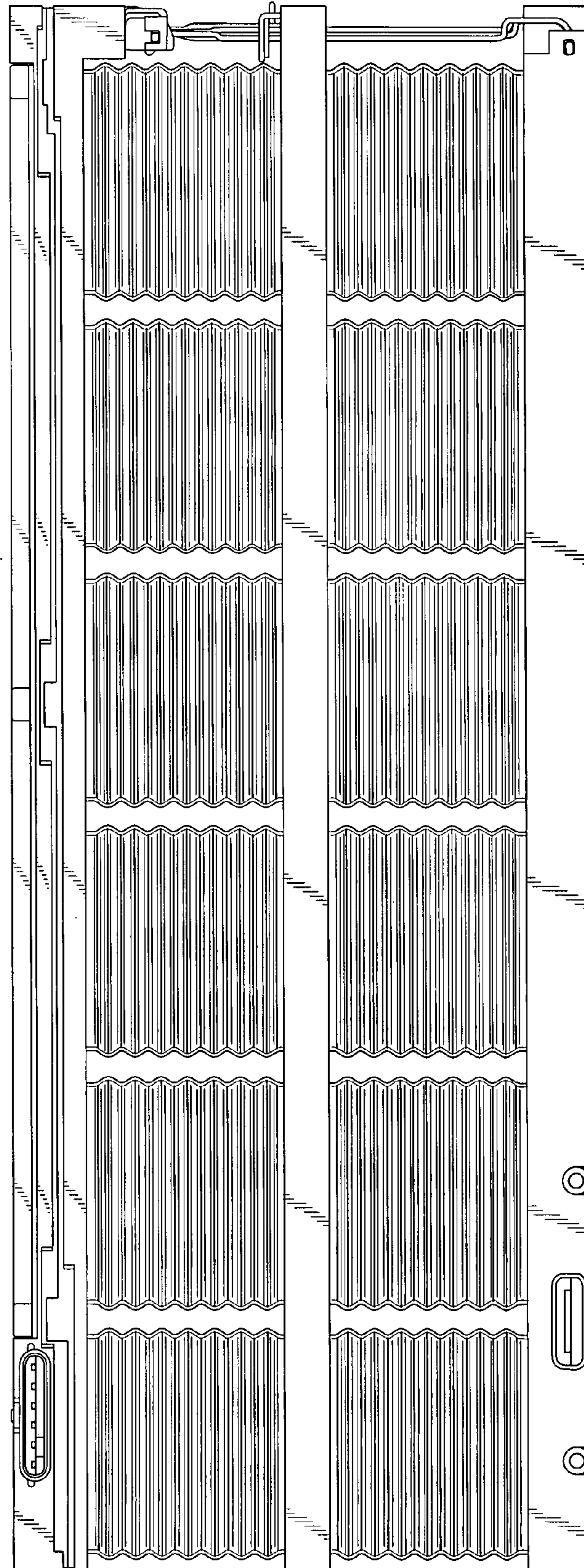


FIG.2

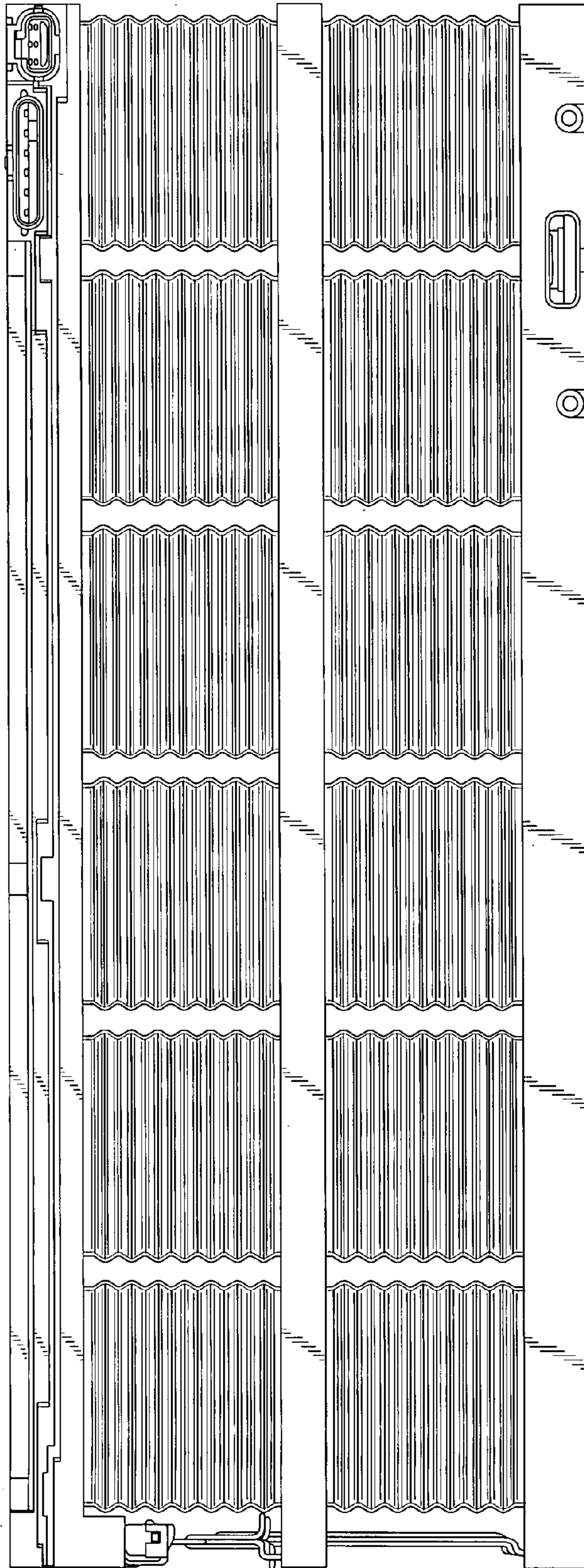


FIG. 3

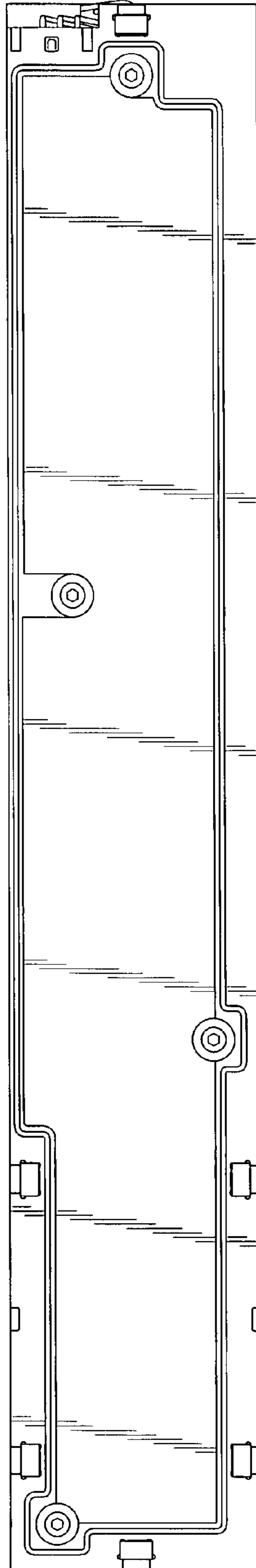


FIG.4

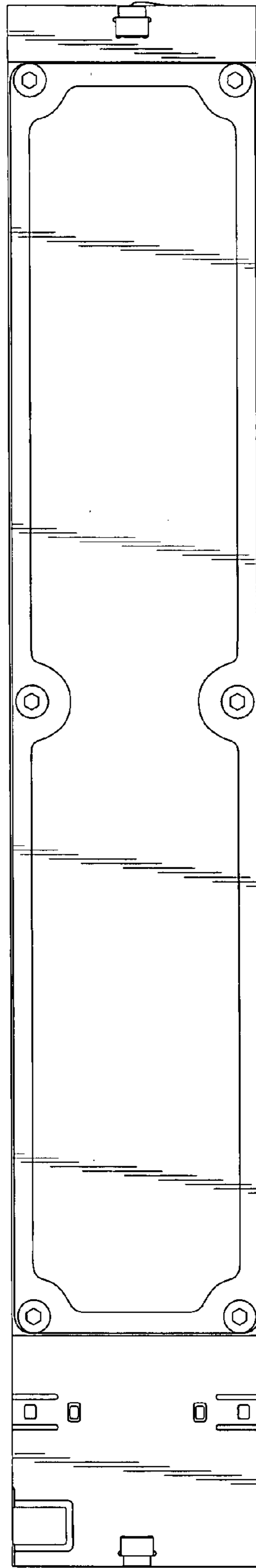


FIG. 5

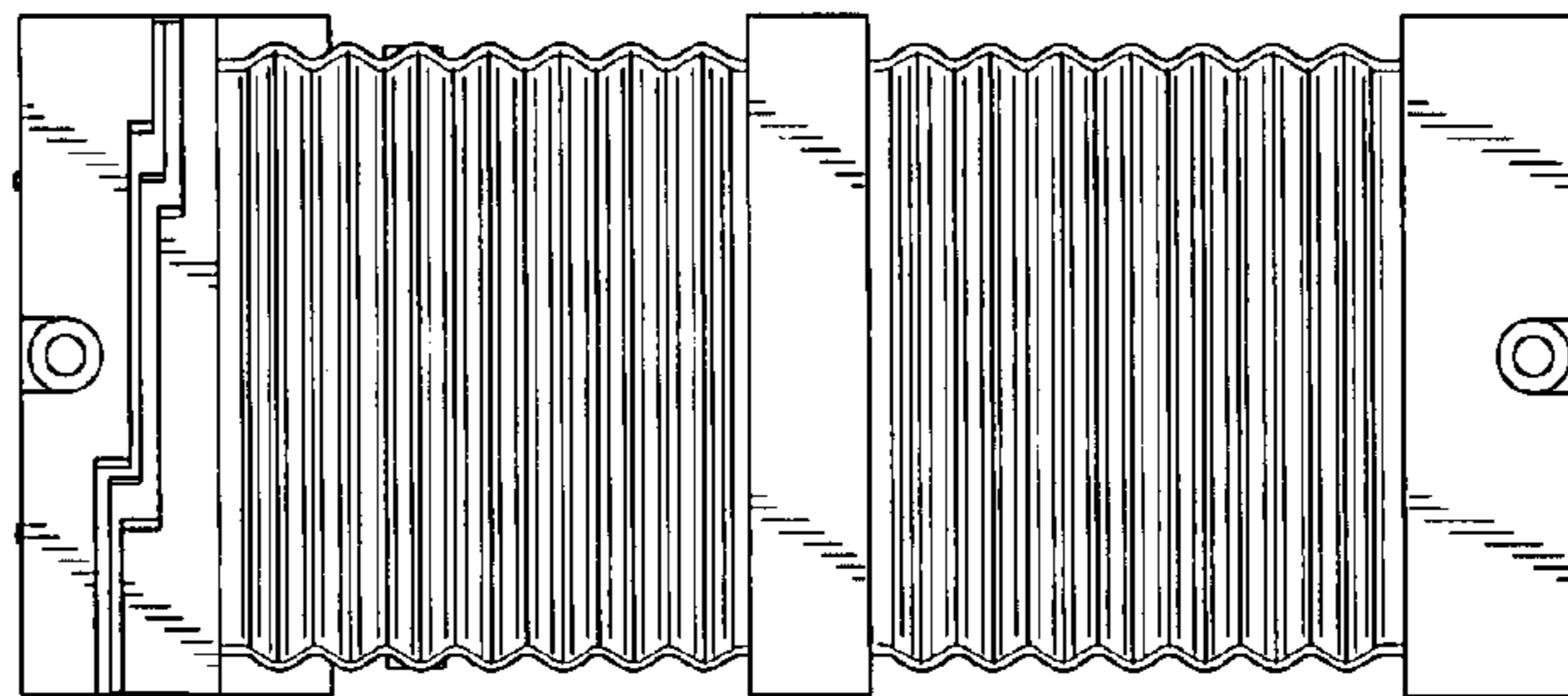
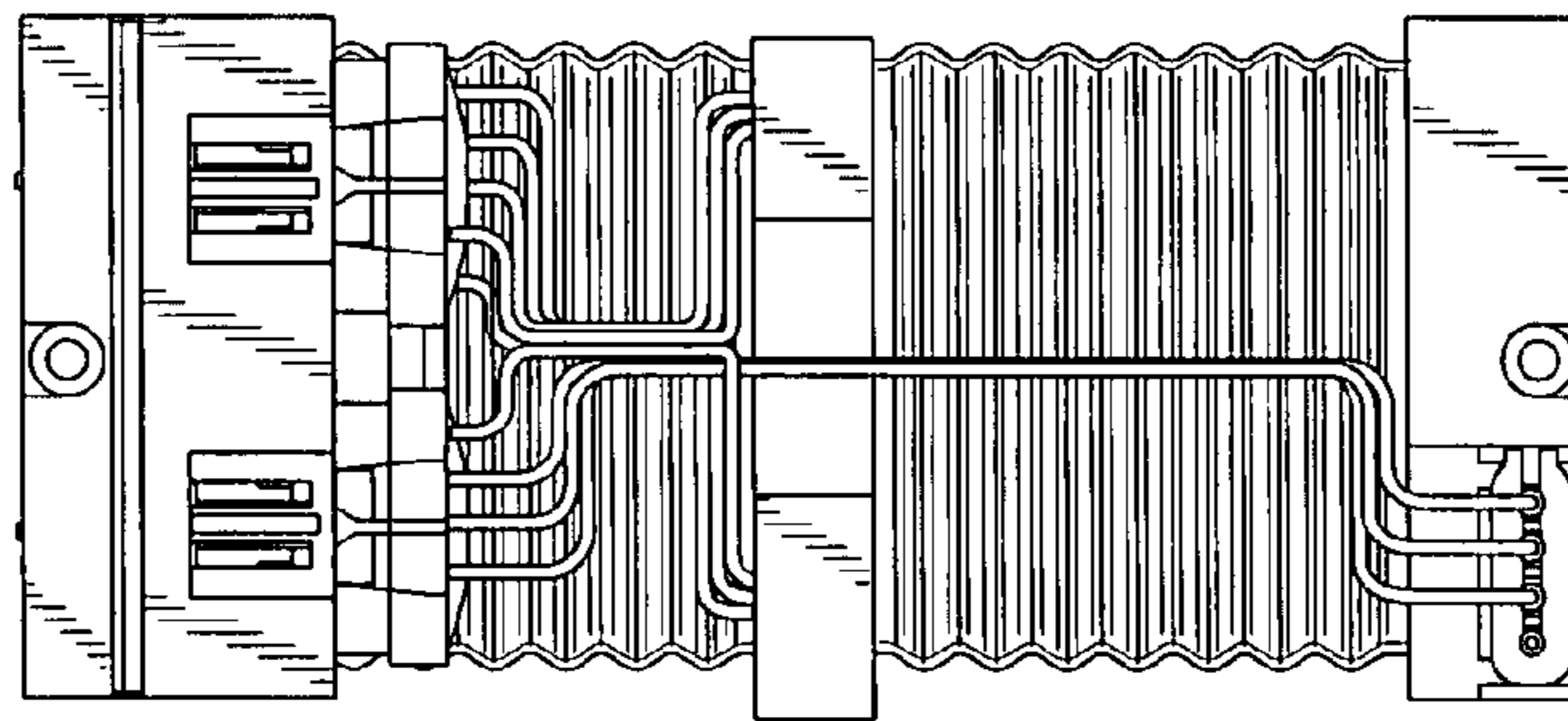


FIG. 6



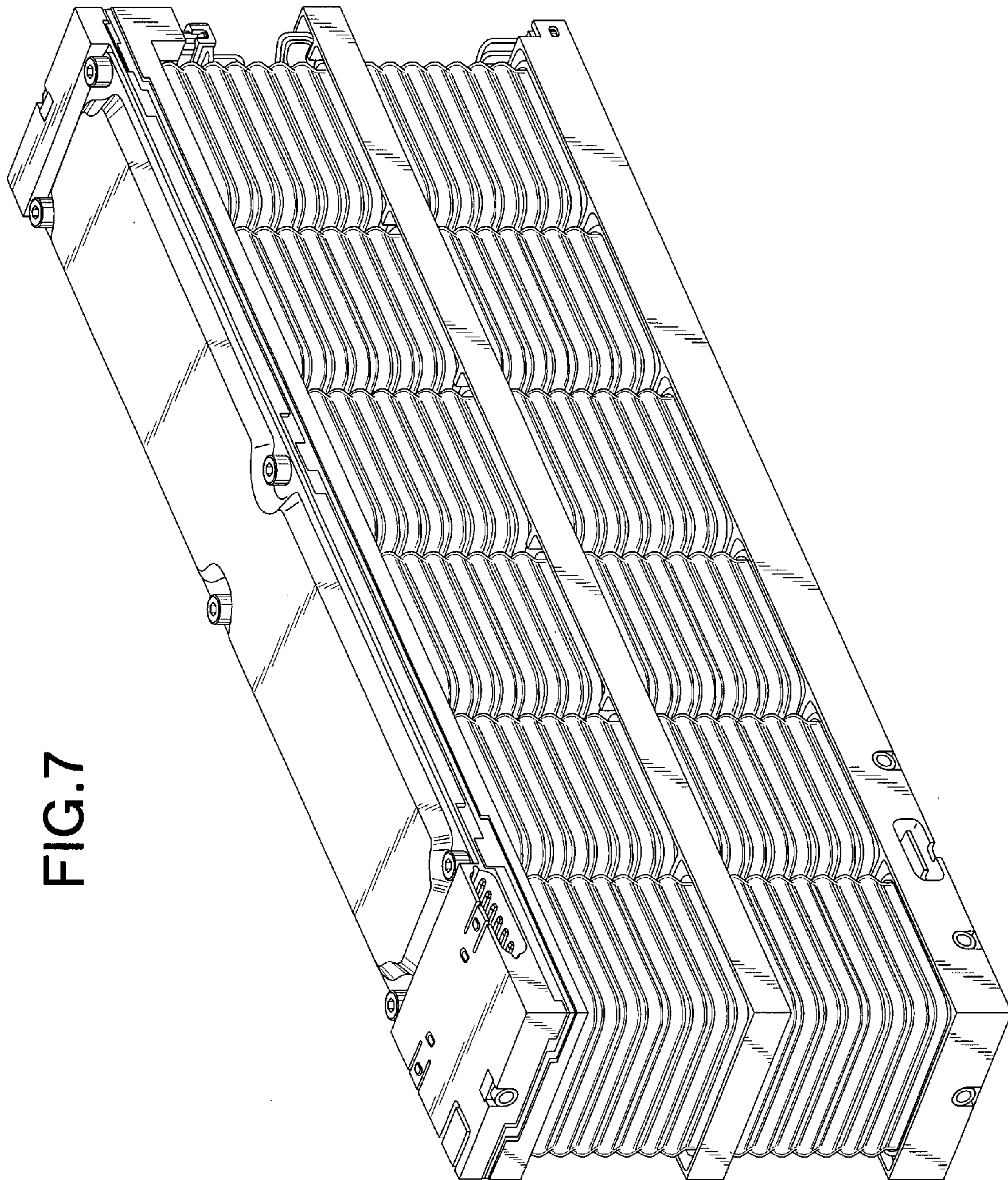


FIG. 7



FIG.8

