



US00D553565S

(12) **United States Design Patent** (10) **Patent No.:** **US D553,565 S**  
**Kawakita et al.** (45) **Date of Patent:** **\*\* Oct. 23, 2007**

(54) **STORAGE BATTERY**

(75) Inventors: **Kenjou Kawakita**, Takatsuki (JP);  
**Yoshiaki Yamaguchi**, Takatsuki (JP);  
**Takashi Akimoto**, Takatsuki (JP);  
**Masamichi Inakura**, Takatsuki (JP);  
**Kenji Yamauchi**, Takatsuki (JP)

(73) Assignee: **GS Yuasa Corporation**, Kyoto (JP)

(\*\*) Term: **14 Years**

(21) Appl. No.: **29/273,767**

(22) Filed: **Mar. 13, 2007**

**Related U.S. Application Data**

(62) Division of application No. 29/264,005, filed on Aug. 2, 2006, which is a division of application No. 29/203,470, filed on Apr. 14, 2004, now Pat. No. Des. 536,301.

(30) **Foreign Application Priority Data**

Oct. 14, 2003	(JP)	.....	2003-030198
Oct. 14, 2003	(JP)	.....	2003-030200
Oct. 14, 2003	(JP)	.....	2003-030201
Oct. 14, 2003	(JP)	.....	2003-030203
Oct. 14, 2003	(JP)	.....	2003-030204
Oct. 14, 2003	(JP)	.....	2003-030205

(51) **LOC (8) Cl.** ..... **13-02**

(52) **U.S. Cl.** ..... **D13/119**

(58) **Field of Classification Search** ..... D13/102,  
D13/106, 110, 118–119, 184; 429/96–100,  
429/163, 176

See application file for complete search history.

(56) **References Cited**

**U.S. PATENT DOCUMENTS**

D81,043 S	*	4/1930 Sweet	.....	D13/104
D175,420 S	*	8/1955 Klotz	.....	D13/104

(Continued)

*Primary Examiner*—Alan P. Douglas  
*Assistant Examiner*—Rosemary K. Tarcza  
(74) *Attorney, Agent, or Firm*—Osha Liang LLP

(57) **CLAIM**

The ornamental design for a storage battery, as shown and described.

**DESCRIPTION**

FIG. 1 shows a front view of the design according to a first embodiment of the invention.

FIG. 2 shows a plan view of the design according to the first embodiment of the invention.

FIG. 3 shows a bottom view of the design according to the first embodiment of the invention.

FIG. 4 shows a right side view of the design according to the first embodiment of the invention. The left side view is a mirror image of the right side view.

FIG. 5 shows a perspective view of the design according to the first embodiment of the invention.

FIG. 6 shows a sectional view of the design according to the first embodiment of the invention taken along the line 6—6 as shown in FIG. 1.

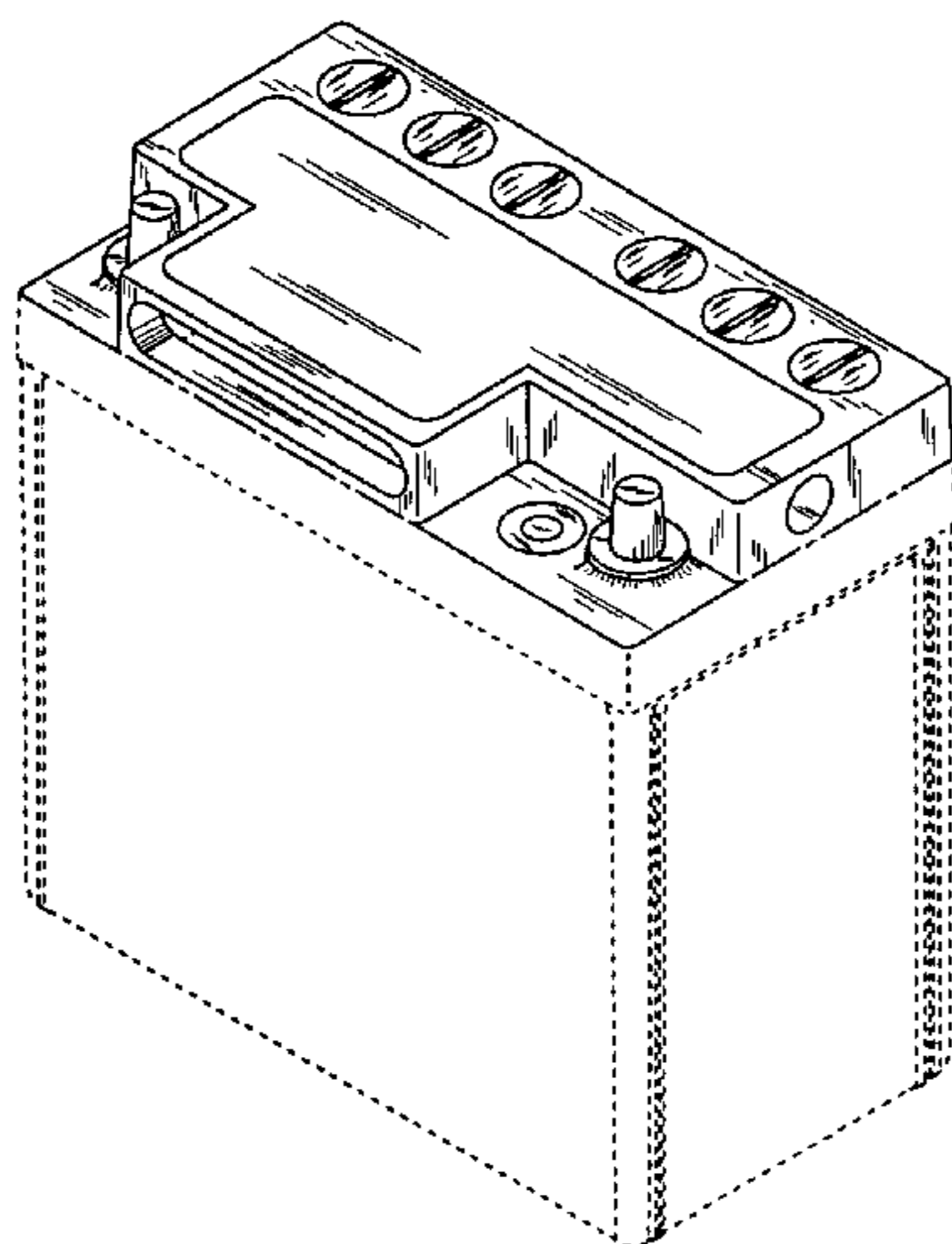
FIG. 7 shows a sectional view of the design according to the first embodiment of the invention taken along the line 7—7 as shown in FIG. 1.

FIG. 8 shows a sectional view of the design according to the first embodiment of the invention taken along the line 8—8 as shown in FIG. 3; and,

FIG. 9 shows a rear view of the design according to the first embodiment of the invention.

The elements shown in even broken lines are for illustrative purposes only and form no part of the claimed design. The dash-dot broken lines define boundaries of the design and do not form part of the claimed design.

**1 Claim, 5 Drawing Sheets**



# US D553,565 S

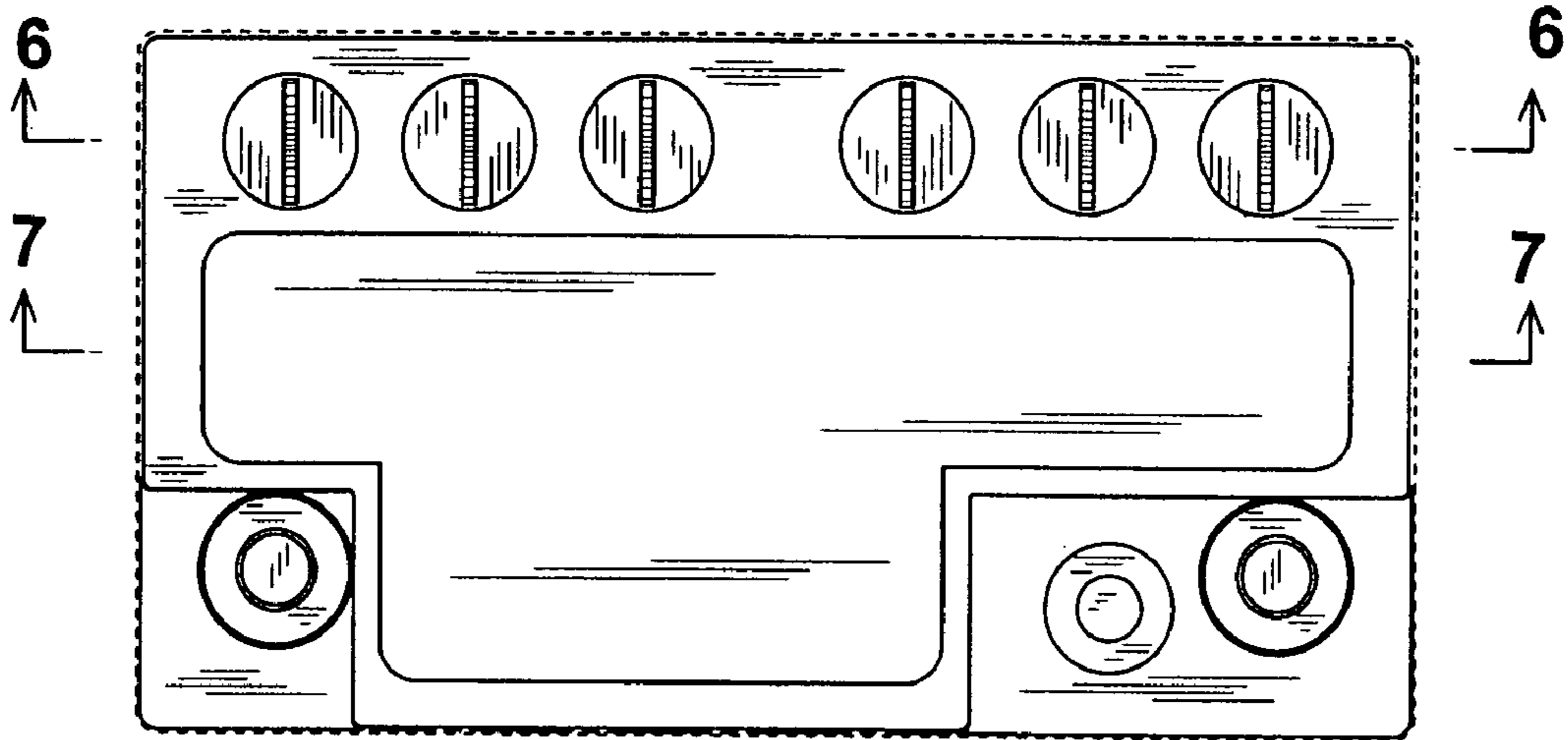
Page 2

---

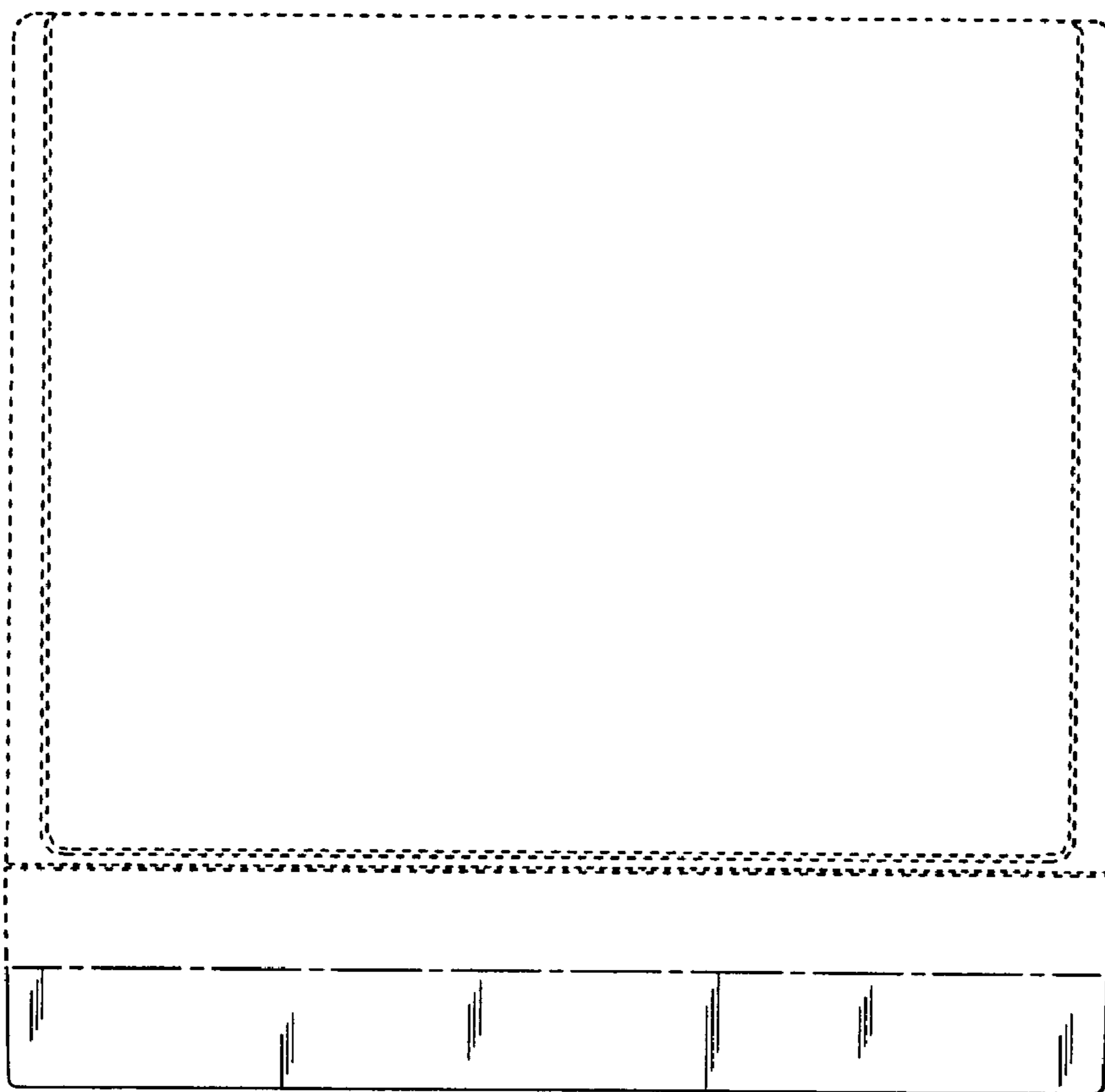
## U.S. PATENT DOCUMENTS

D188,421 S *	7/1960	Slautterback .....	D13/104	D292,576 S *	11/1987	Kump et al. ....	D13/106
D196,798 S *	11/1963	Worrell .....	D13/104	D299,639 S *	1/1989	Anderson et al. ....	D13/119
3,194,687 A *	7/1965	Shannon .....	429/82	D352,498 S *	11/1994	Beidler et al. ....	D13/119
D239,837 S *	5/1976	Hennen .....	D13/119	D401,551 S *	11/1998	Kim .....	D13/106
D264,961 S *	6/1982	Oxenreider .....	D13/119	D428,852 S *	8/2000	Klutt .....	D13/119

\* cited by examiner



**FIG. 1**



**FIG. 2**

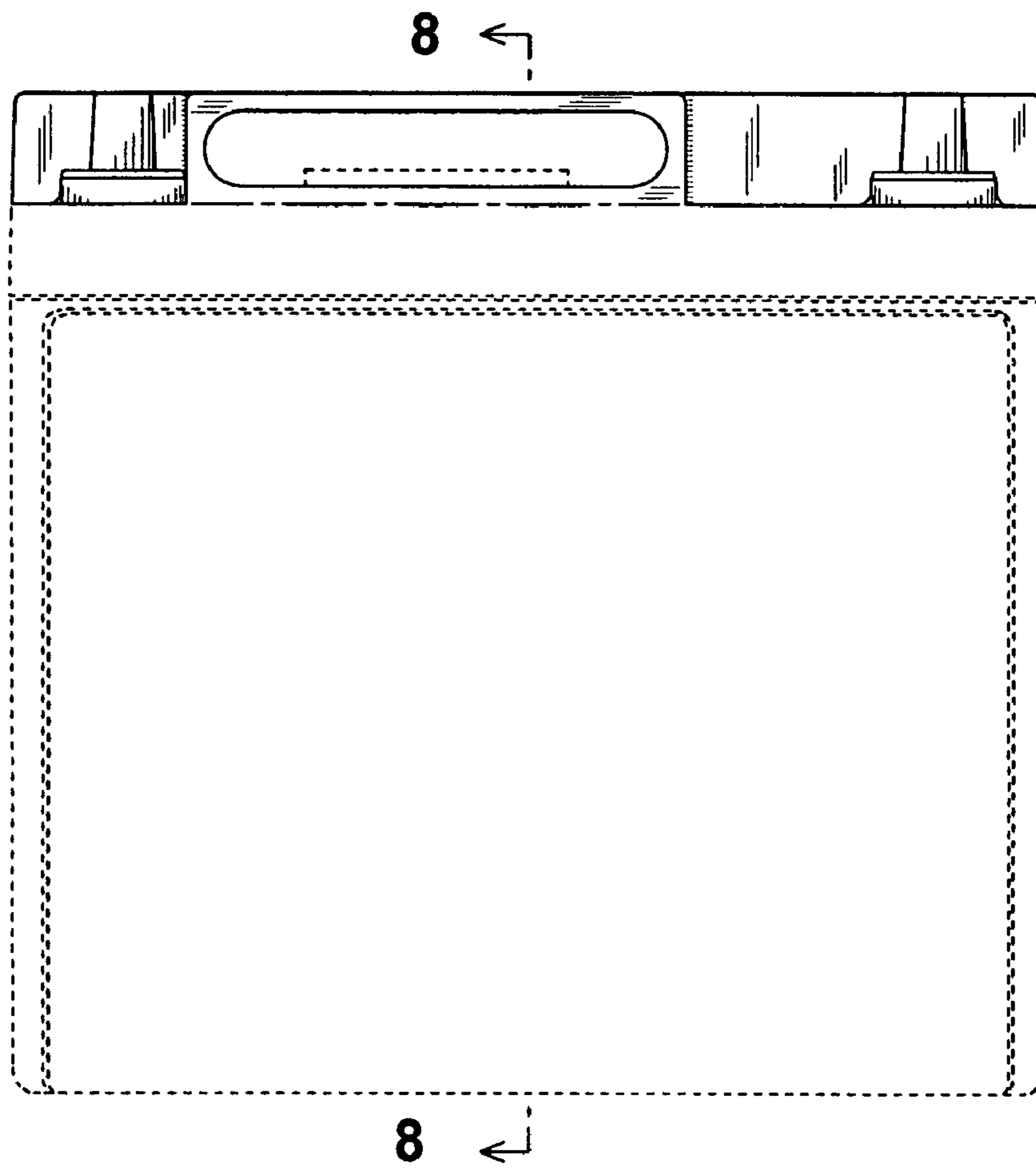


FIG. 3

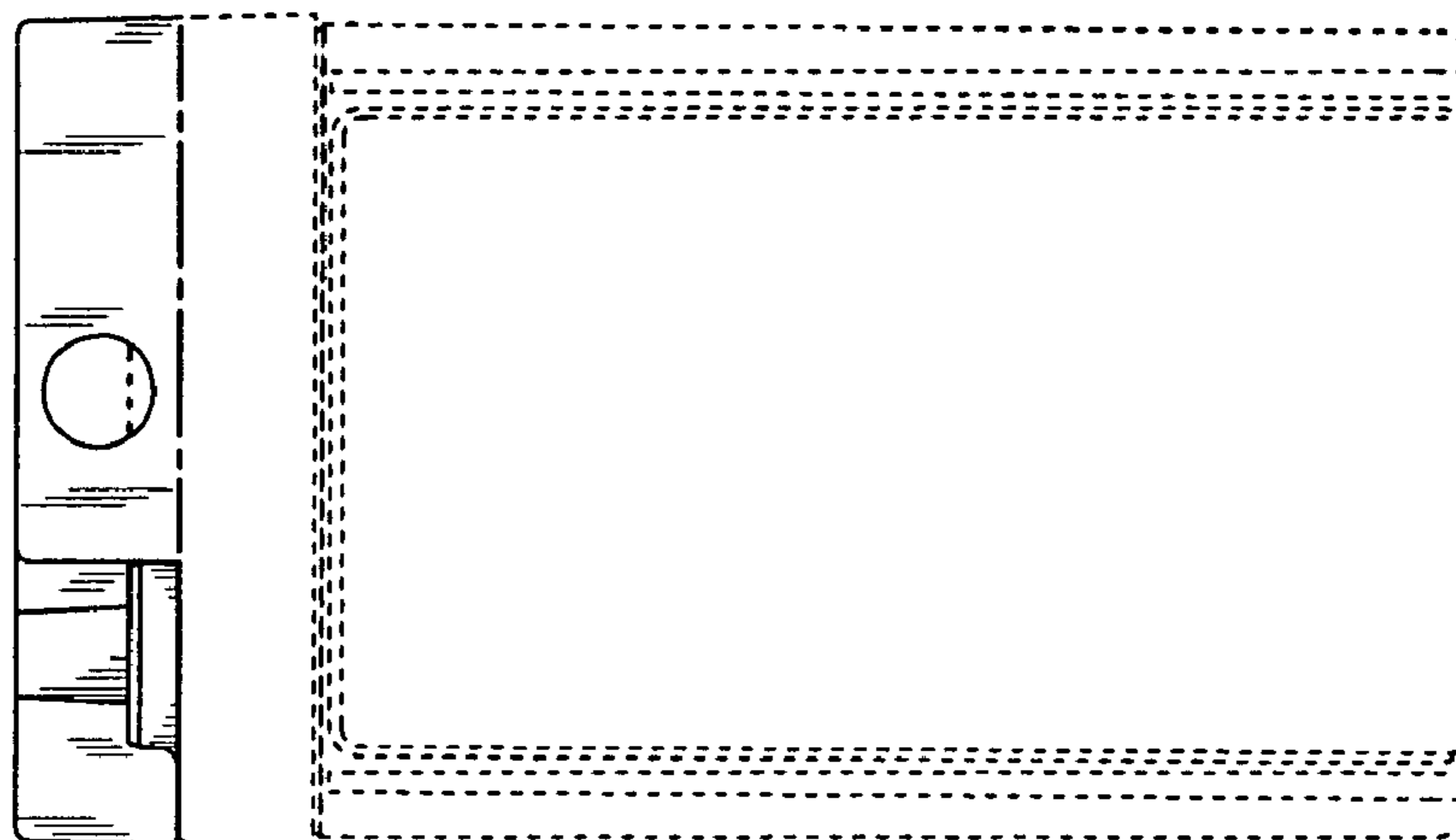
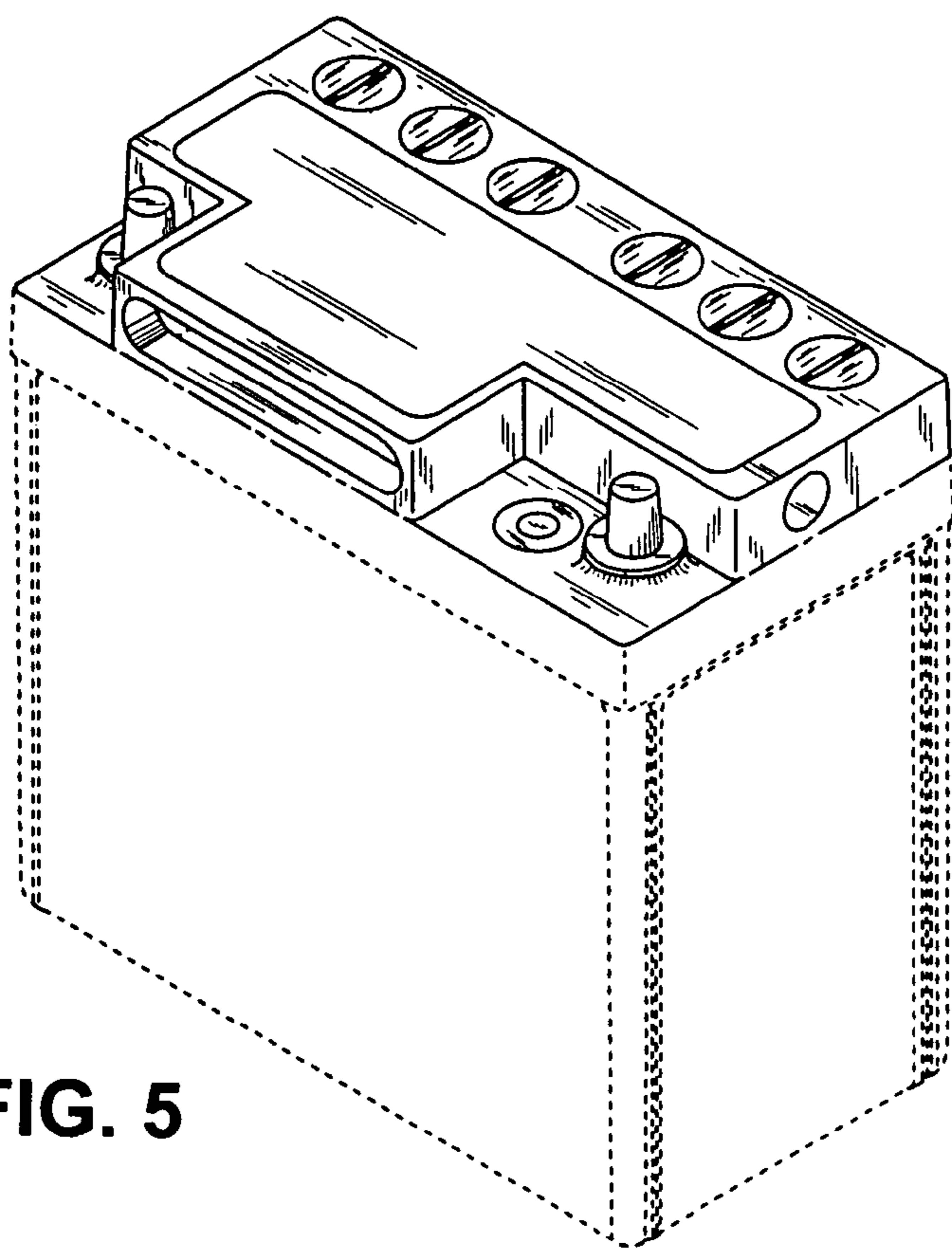
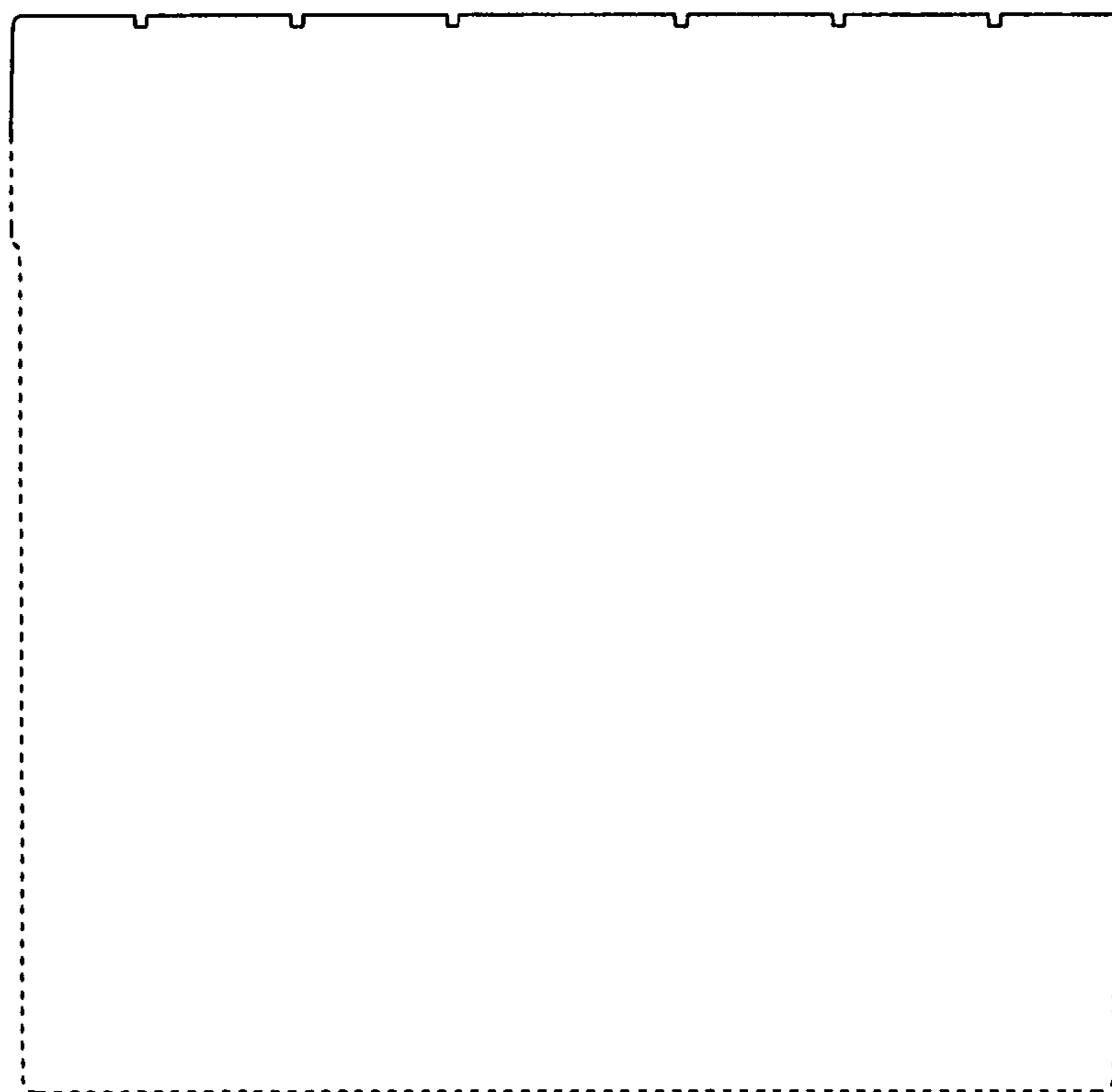


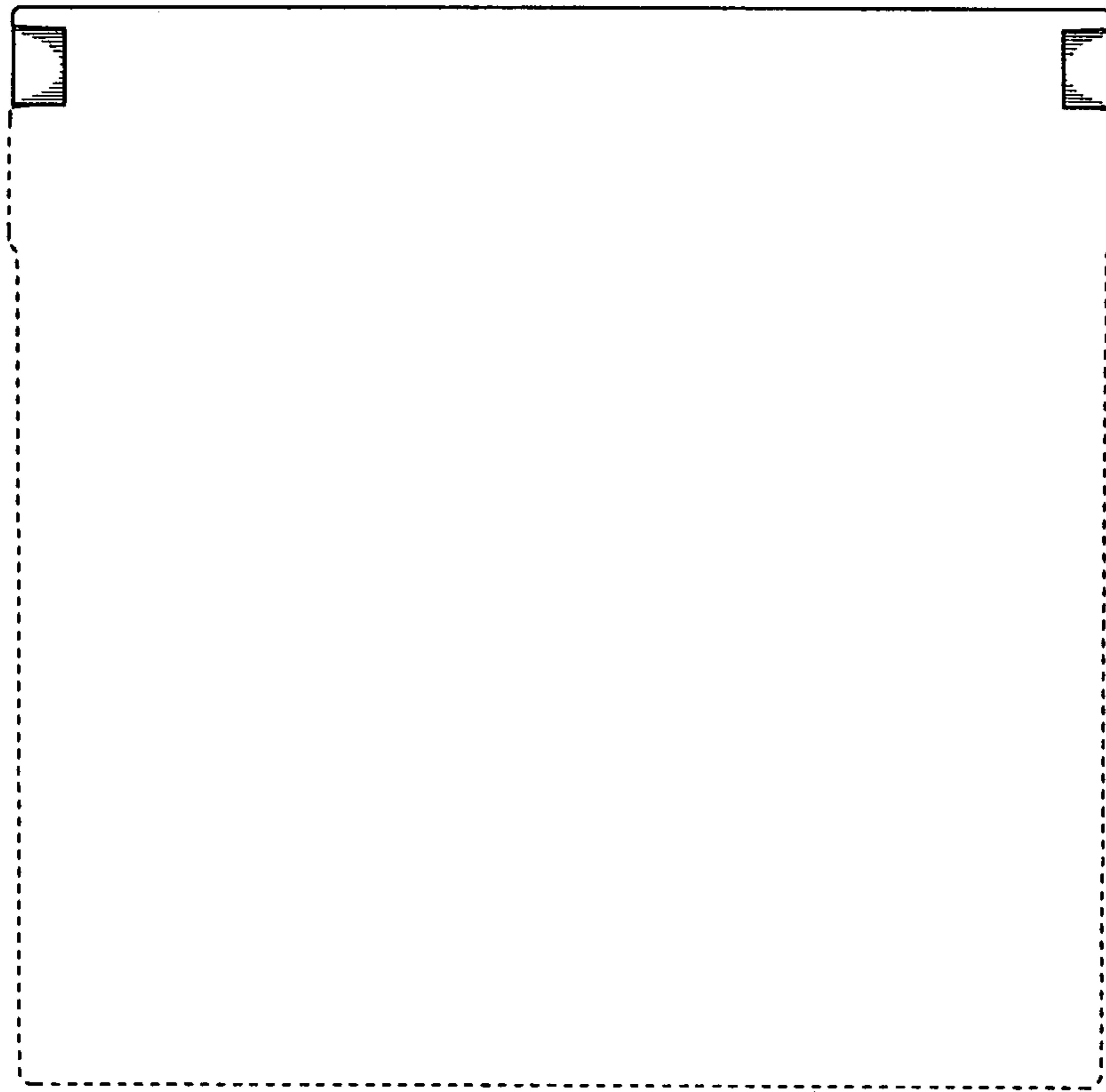
FIG. 4



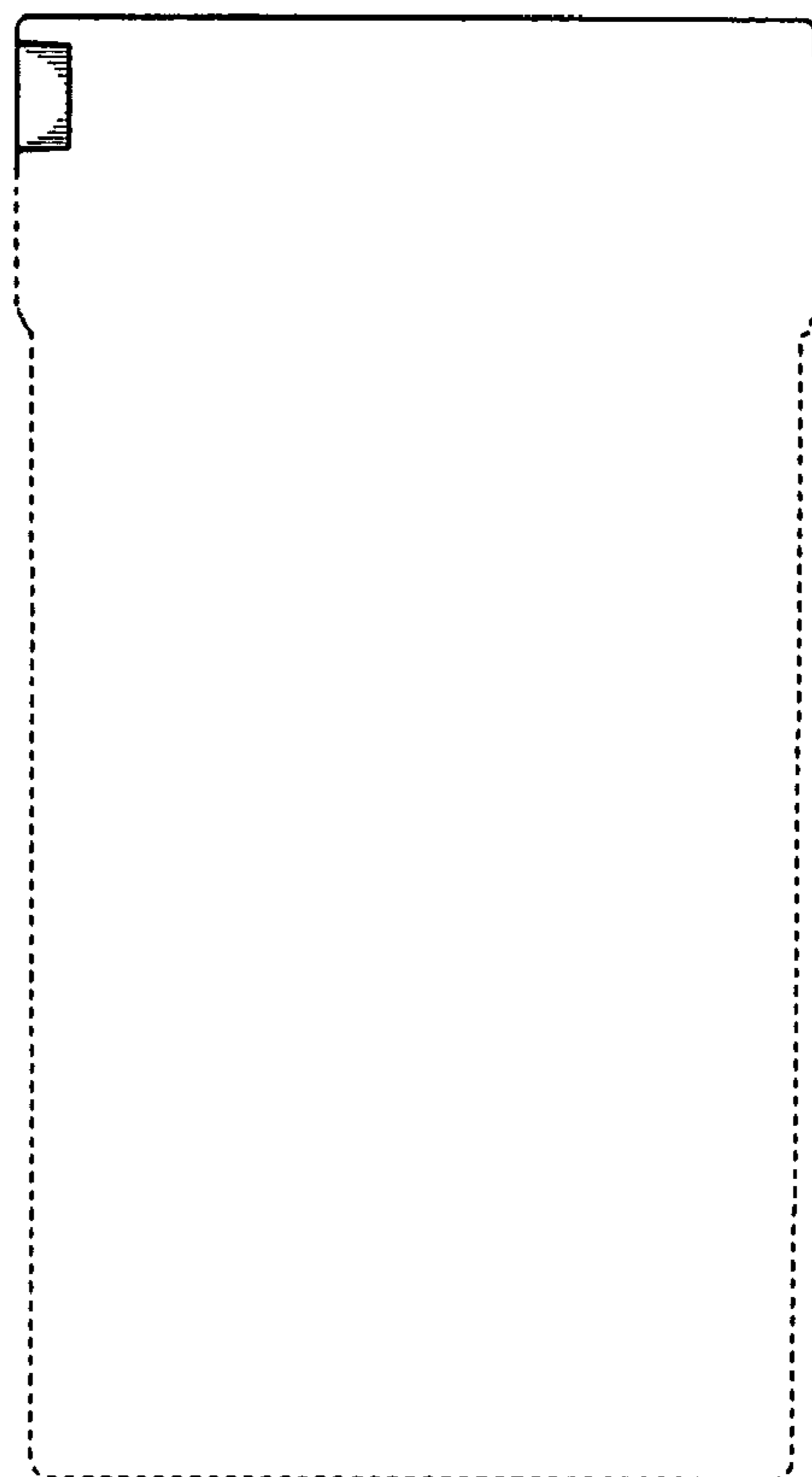
**FIG. 5**



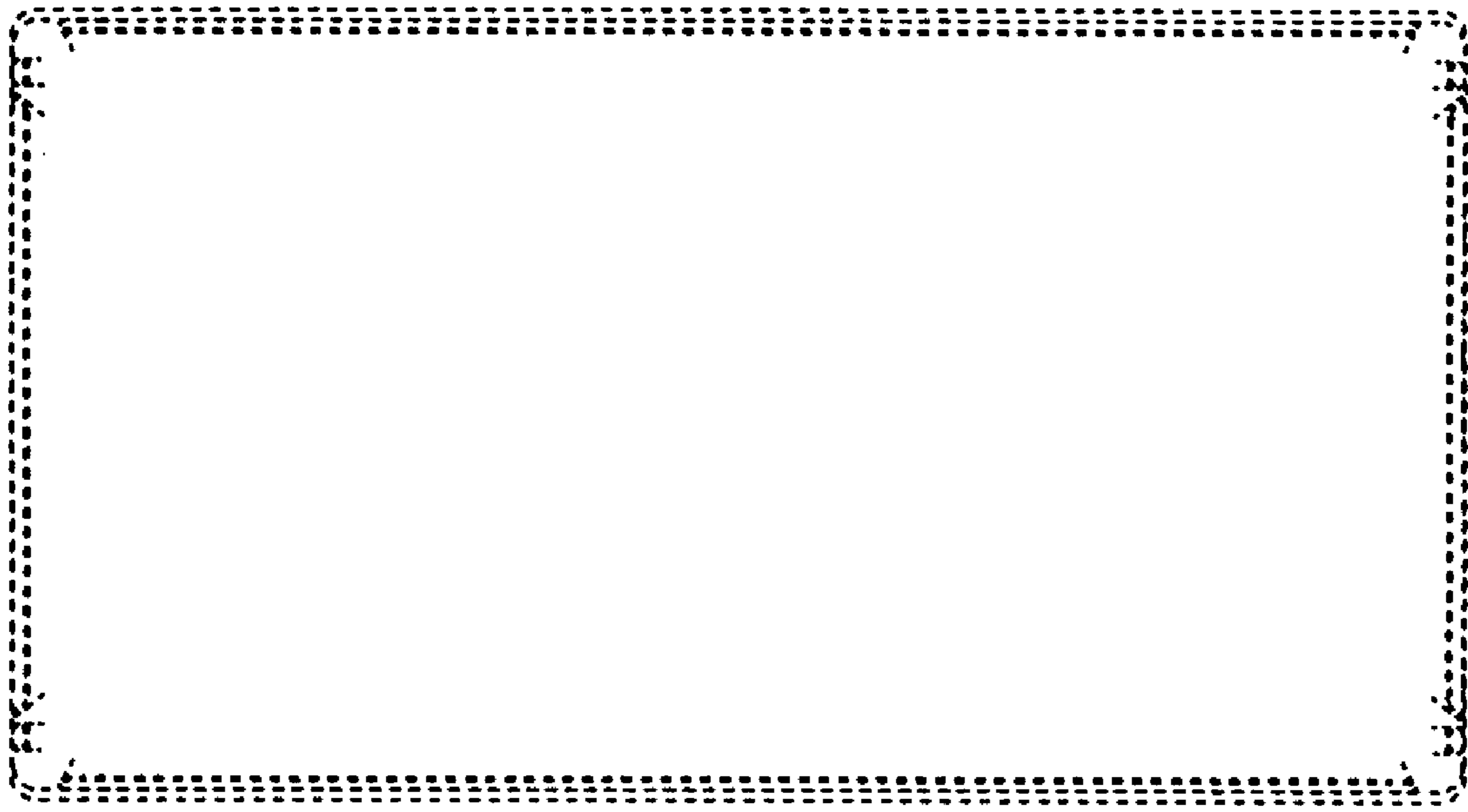
**FIG. 6**



**FIG. 7**



**FIG. 8**



**FIG. 9**