



US00D553564S

(12) **United States Design Patent**  
**Kuo**

(10) **Patent No.:** **US D553,564 S**

(45) **Date of Patent:** **\*\* Oct. 23, 2007**

(54) **COMPACT POWER SUPPLY**

D506,977 S \* 7/2005 Lee ..... D13/110

(75) Inventor: **Wen-Yuan Kuo**, Hsi-Chih (TW)

\* cited by examiner

(73) Assignee: **Chinfa Electronics Inds. Co., Ltd.**,  
Taipei Hsien (TW)

*Primary Examiner*—Prabhakar Deshmukh

*Assistant Examiner*—Derrick Holland

(\*\*) Term: **14 Years**

(74) *Attorney, Agent, or Firm*—William E. Pelton, Esq.;  
Cooper & Dunham LLP

(21) Appl. No.: **29/270,264**

(57) **CLAIM**

(22) Filed: **Dec. 18, 2006**

The ornamental design for a compact power supply, as shown and described.

(51) **LOC (8) Cl.** ..... **13-02**

(52) **U.S. Cl.** ..... **D13/110**

(58) **Field of Classification Search** ..... D13/110,  
D13/123, 162, 184, 199; 307/150, 151; 361/600,  
361/601; 363/13, 15, 16, 19, 141, 132, 146  
See application file for complete search history.

**DESCRIPTION**

FIG. 1 is a perspective view of a compact power supply showing my new design;

FIG. 2 is a front view thereof;

FIG. 3 is a rear view thereof;

FIG. 4 is a left view thereof;

FIG. 5 is a right view thereof;

FIG. 6 is a top view thereof; and,

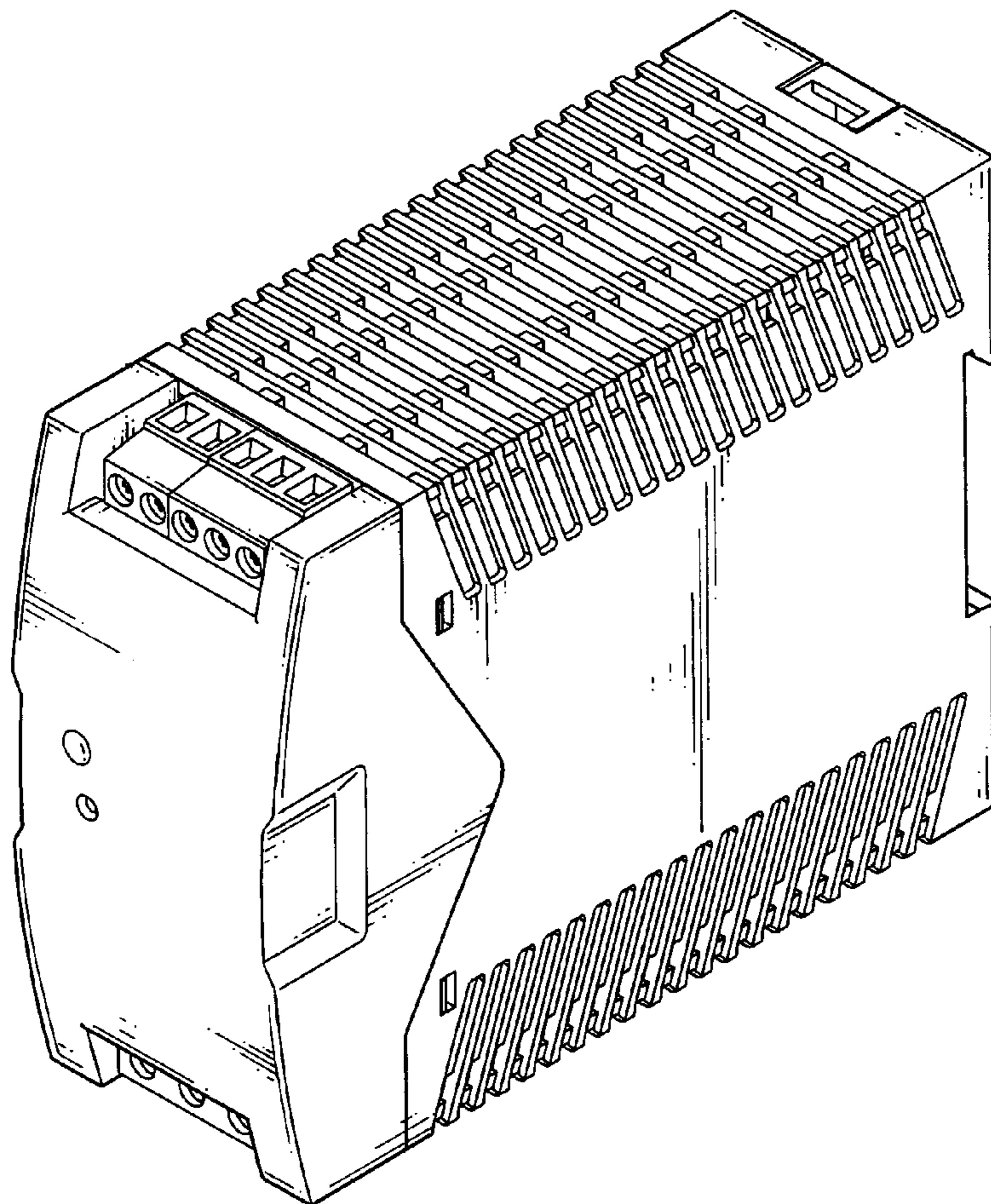
FIG. 7 is a bottom view thereof.

(56) **References Cited**

**U.S. PATENT DOCUMENTS**

D339,101 S *	9/1993	Delamoreaux et al. ....	D13/110
D376,347 S *	12/1996	Mousa .....	D13/110
D390,532 S *	2/1998	Su .....	D13/110
D483,329 S *	12/2003	Kuo .....	D13/110
D488,441 S *	4/2004	Ogawa et al. ....	D13/110

**1 Claim, 6 Drawing Sheets**



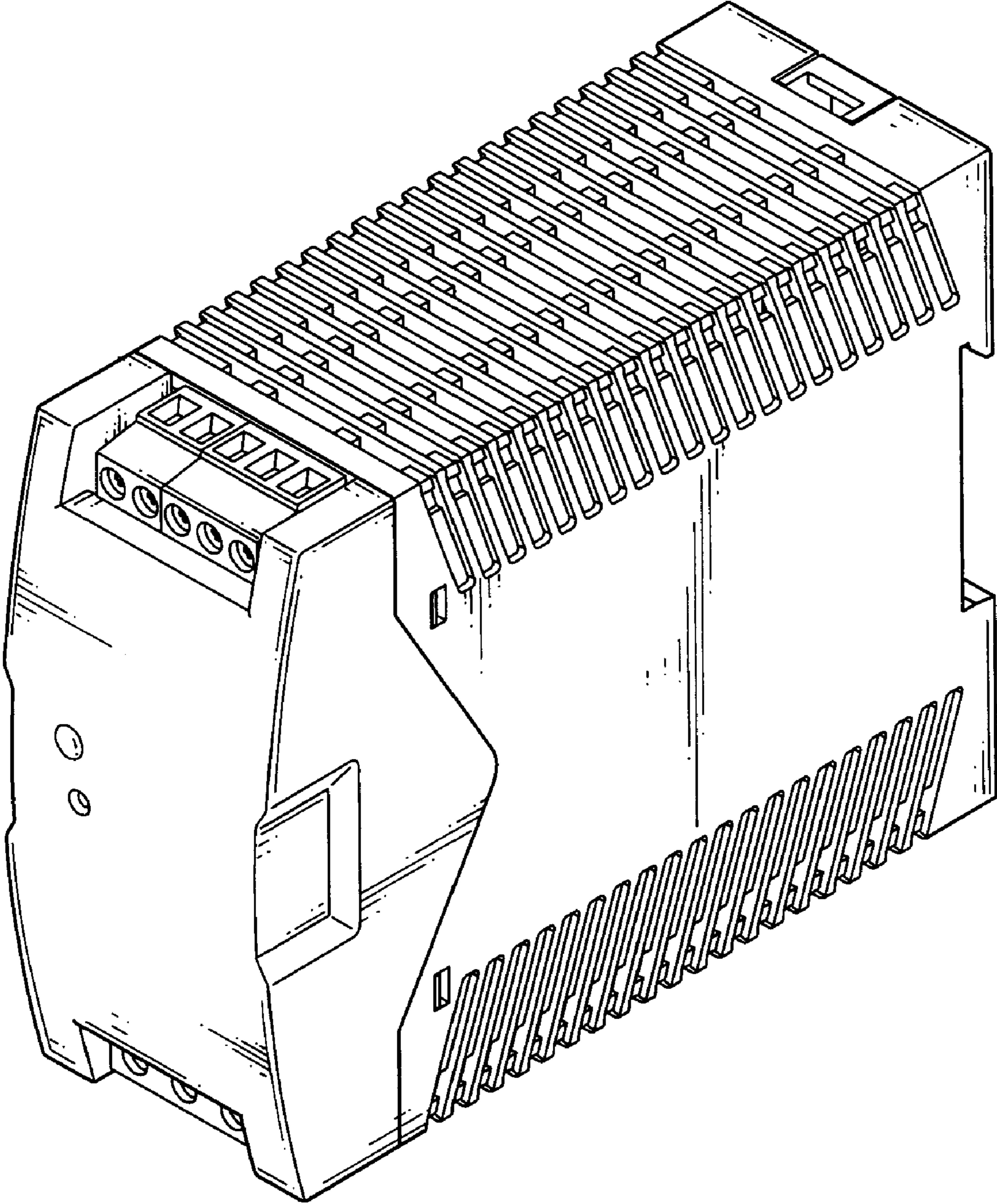


FIG. 1

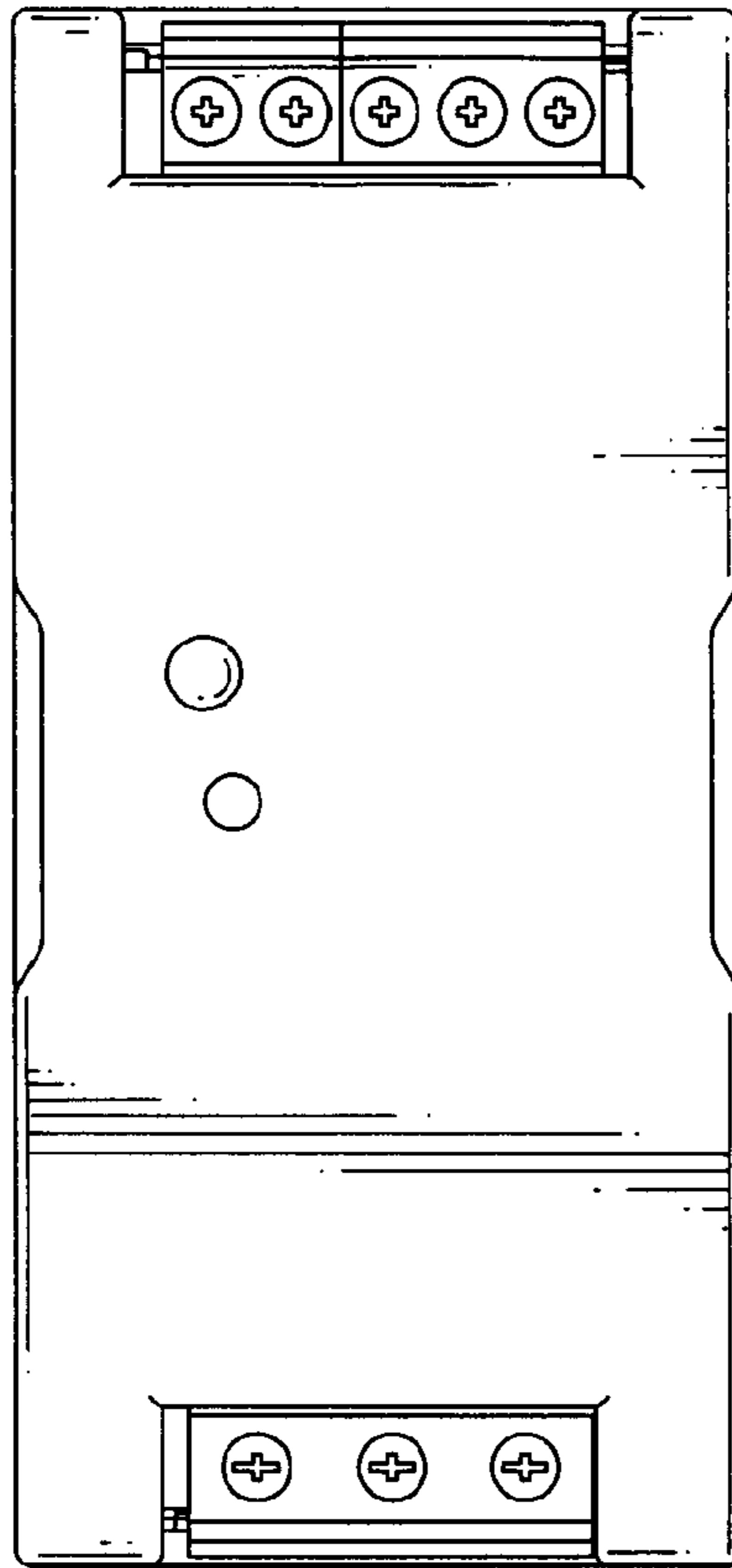


FIG. 2

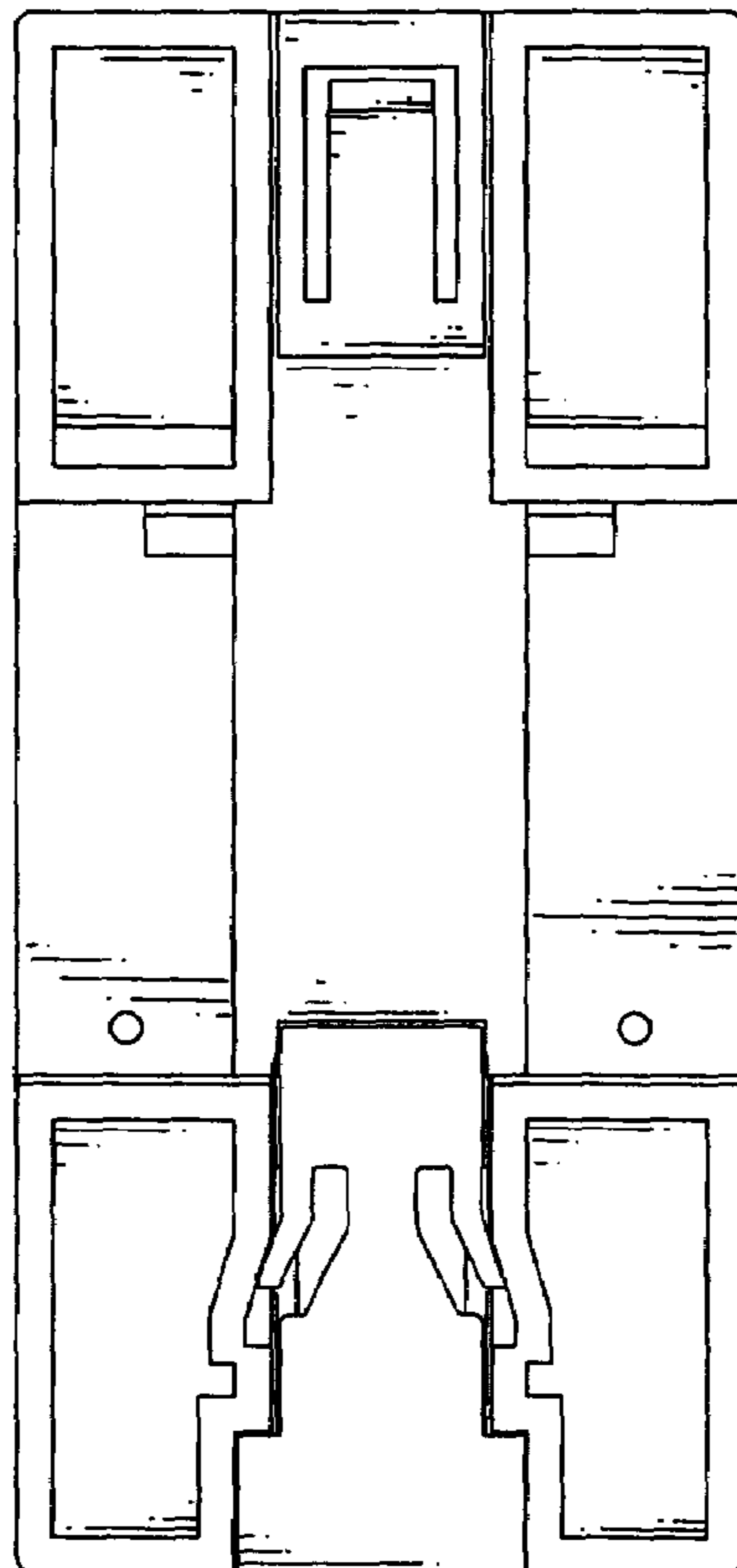


FIG. 3

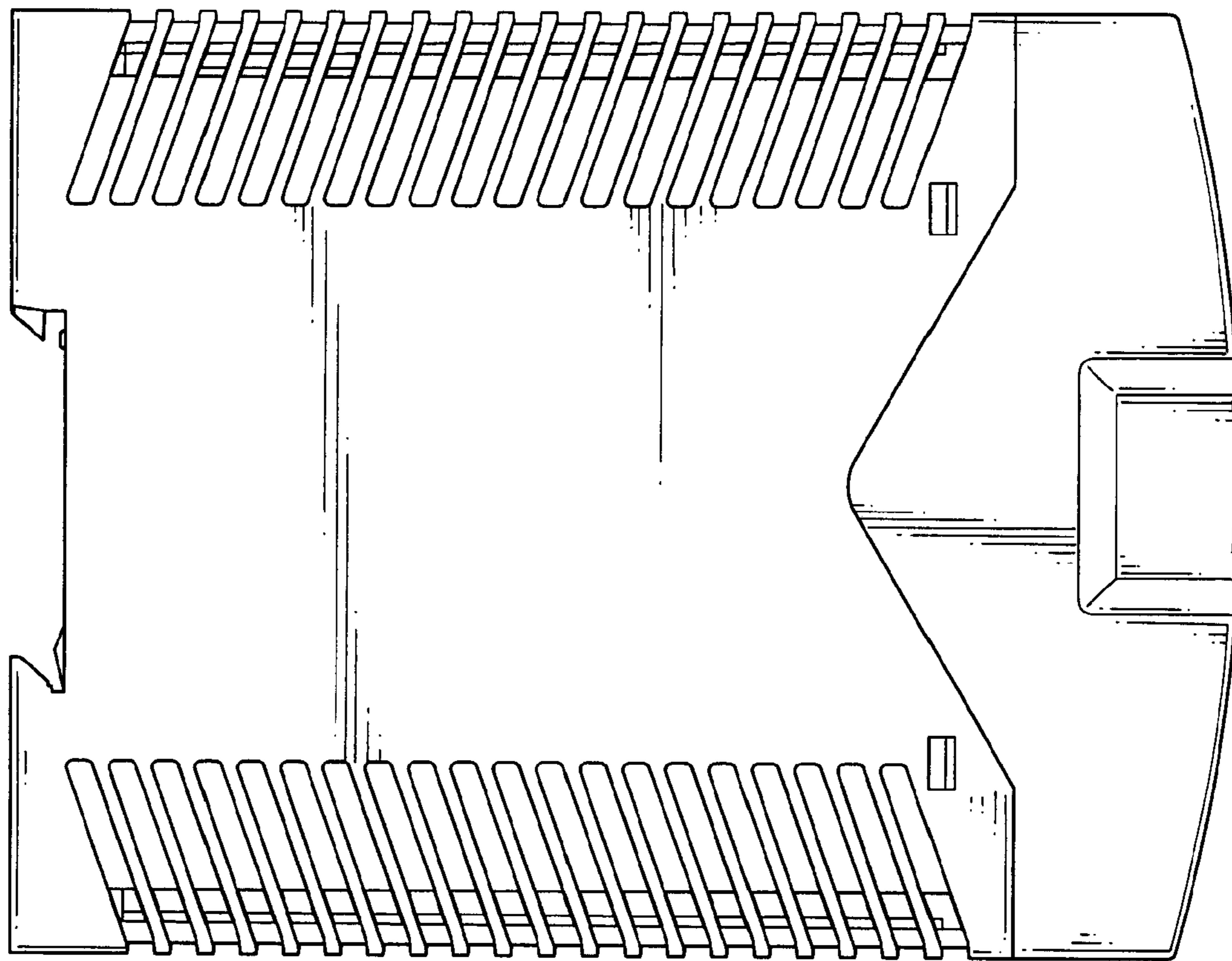


FIG. 4

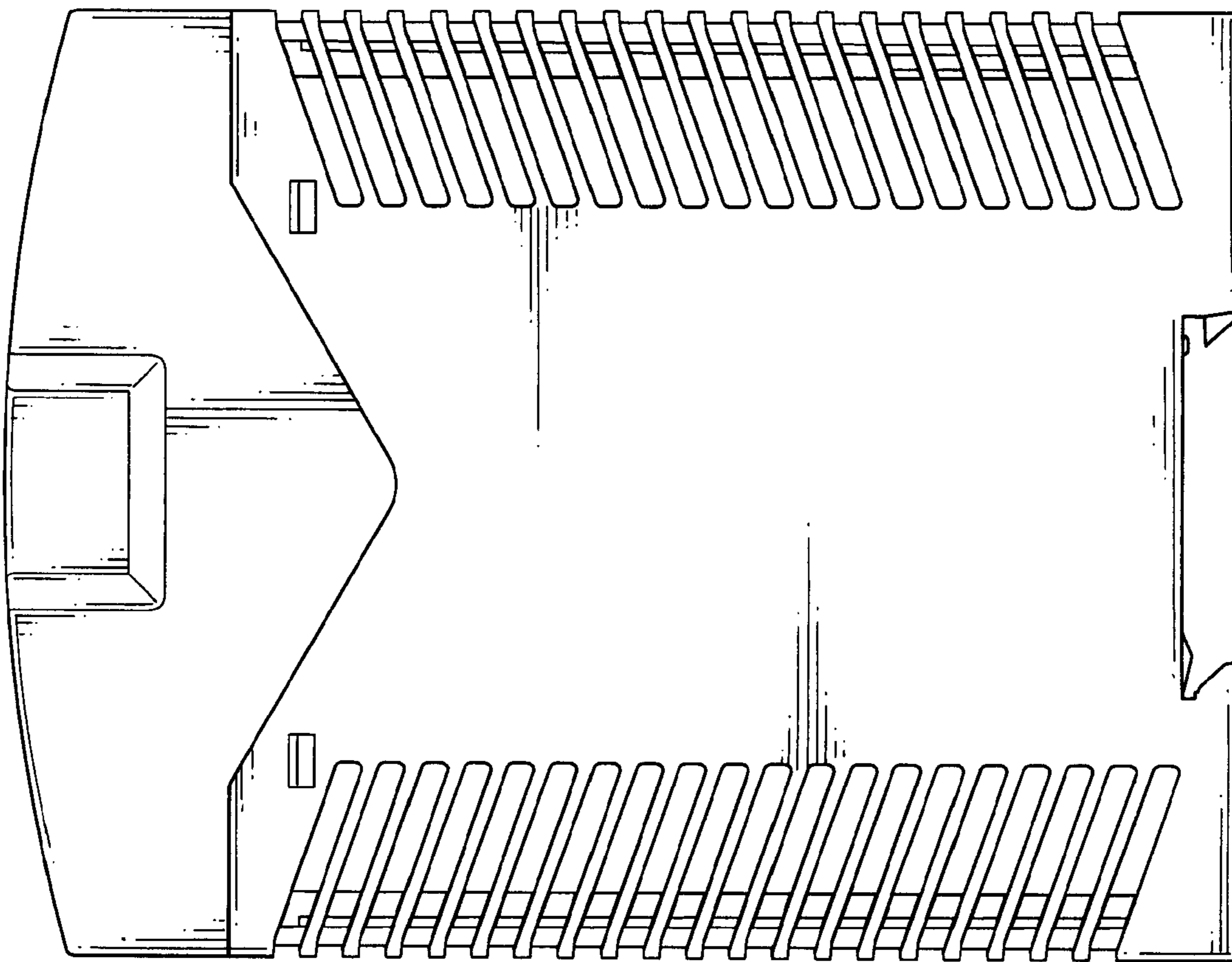


FIG. 5

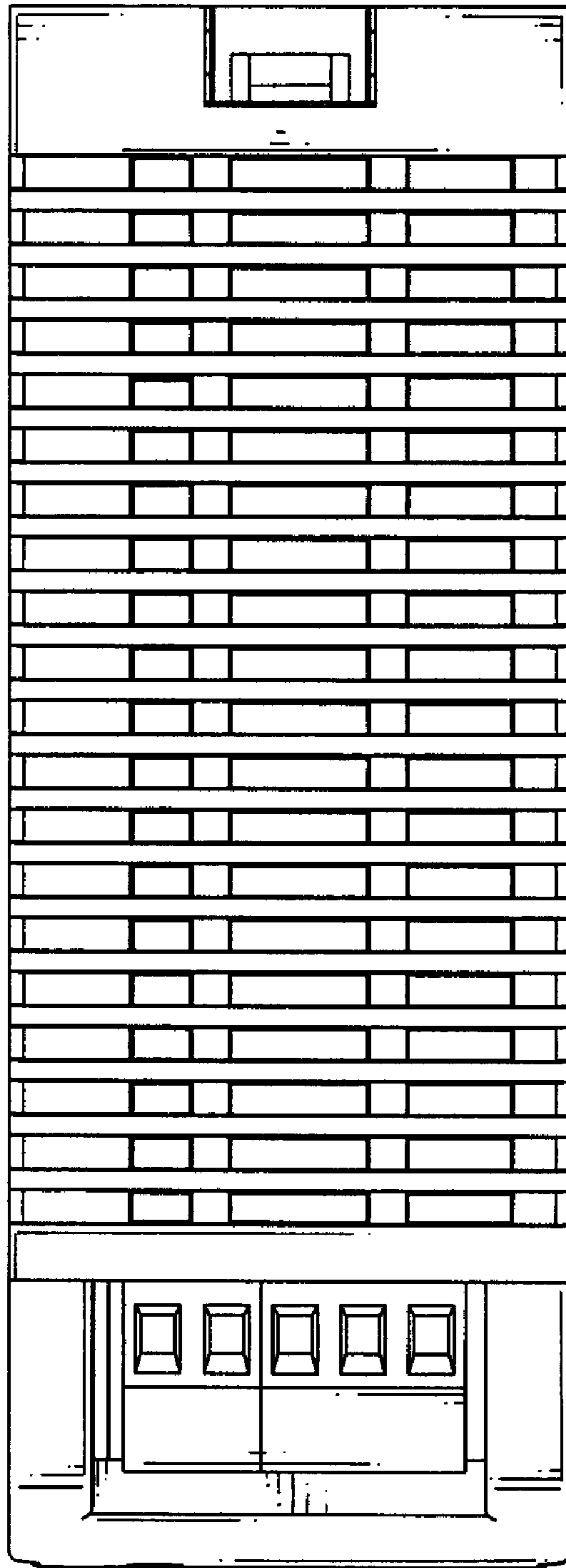


FIG. 6

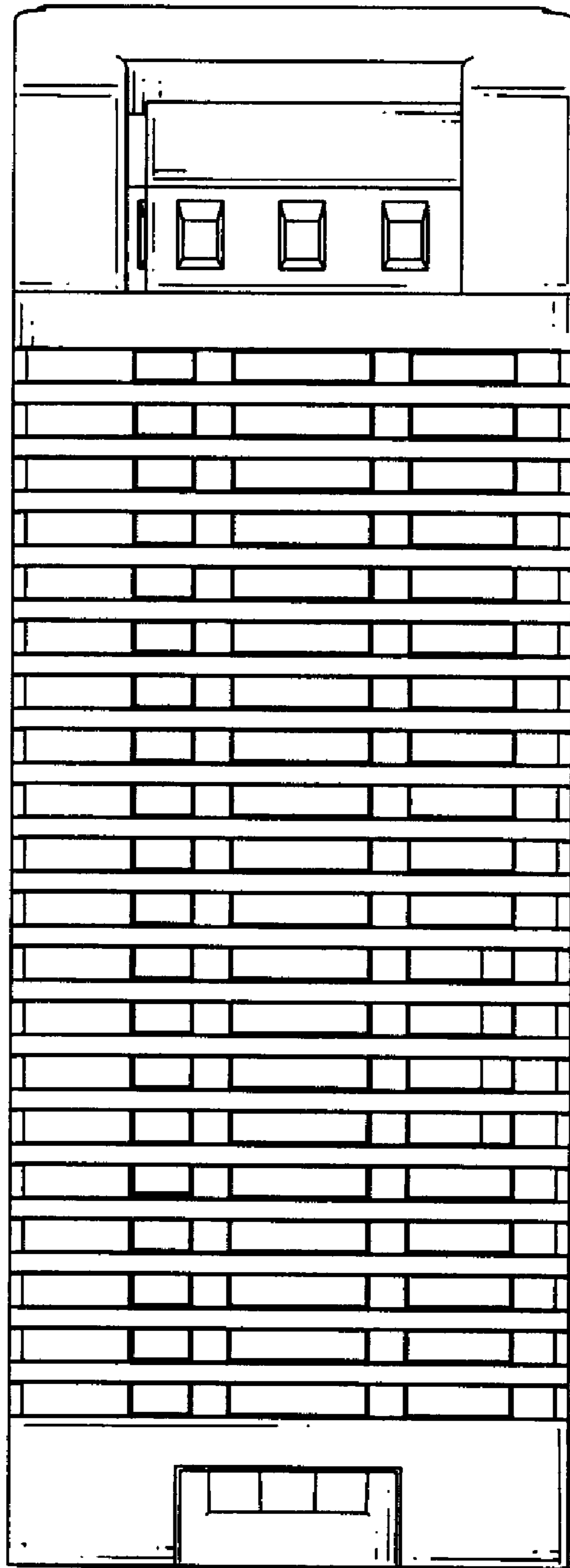


FIG. 7