



US00D553561S

(12) **United States Design Patent**
Maggert

(10) **Patent No.:** **US D553,561 S**

(45) **Date of Patent:** **** Oct. 23, 2007**

(54) **BATTERY HOUSING**

D488,437 S * 4/2004 Ogasawara D13/103

(75) Inventor: **Kevin K. Maggert**, Lawrenceville, GA
(US)

* cited by examiner

(73) Assignee: **Motorola, Inc.**, Schaumburg, IL (US)

Primary Examiner—Alan P. Douglas

Assistant Examiner—Rosemary K. Tarcza

(74) *Attorney, Agent, or Firm*—Valerie M. Davis

(**) Term: **14 Years**

(57) **CLAIM**

(21) Appl. No.: **29/249,845**

The ornamental design for a battery housing, as shown and described.

(22) Filed: **Oct. 24, 2006**

(51) **LOC (8) Cl.** **13-02**

(52) **U.S. Cl.** **D13/103**

(58) **Field of Classification Search** D13/102–106,
D13/110, 118–119, 184; 429/96–100, 163,
429/176

See application file for complete search history.

DESCRIPTION

FIG. 1 is a perspective view of a first embodiment of an ornamental design of a battery housing.

FIG. 2 is a front view of the first embodiment thereof.

FIG. 3 is a rear view of the first embodiment thereof.

FIG. 4 is a first side view of the first embodiment thereof.

FIG. 5 is a second side view of the first embodiment thereof.

FIG. 6 is a top view of the first embodiment thereof; and,

FIG. 7 is a bottom view of the first embodiment thereof.

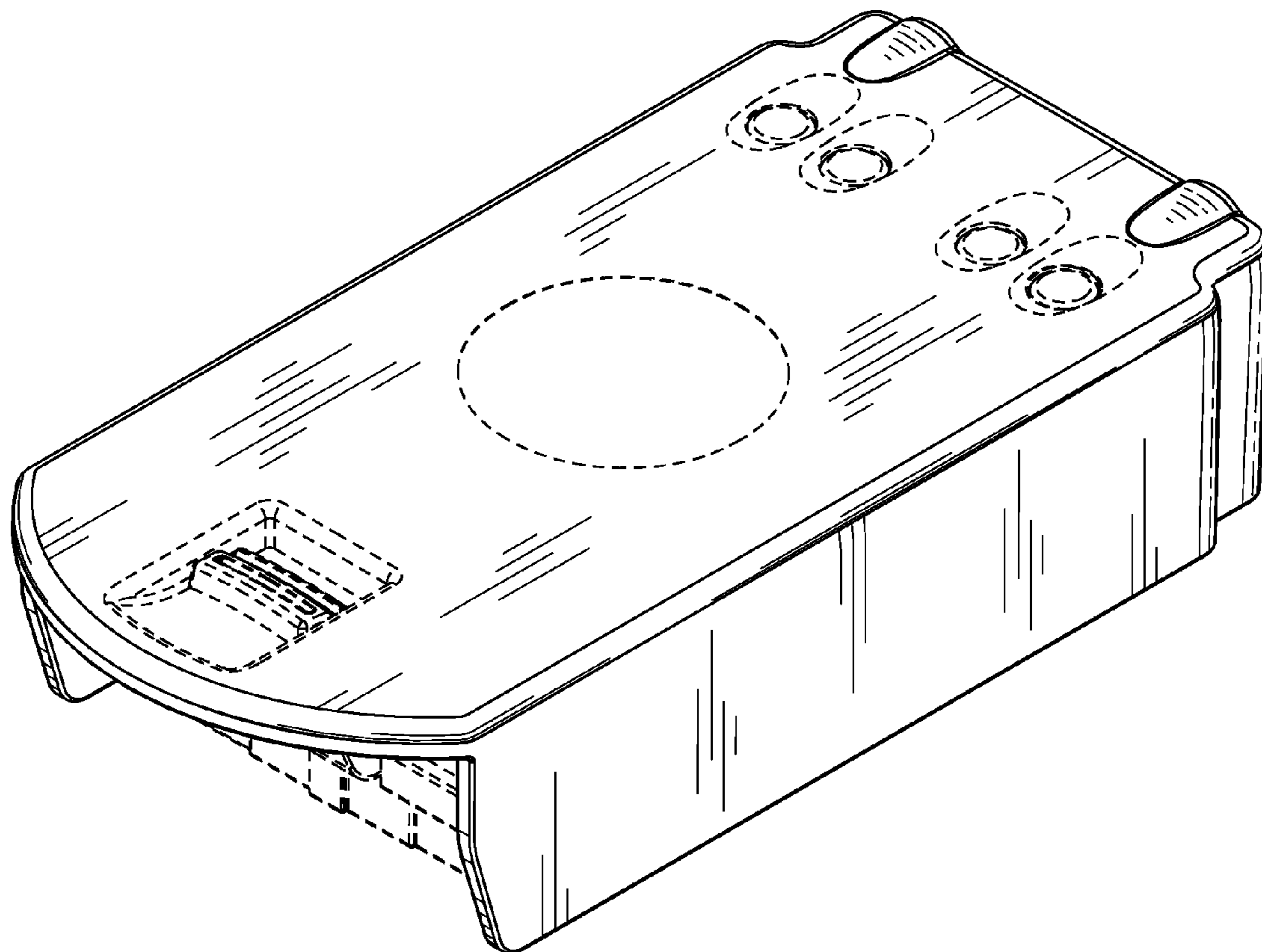
The broken lines shown in FIGS. 1–7 are included for the purpose of illustrating environmental elements only and form no part of the claimed design.

(56) **References Cited**

U.S. PATENT DOCUMENTS

D267,795 S *	2/1983	Mallon	D13/119
D328,733 S *	8/1992	Seymour	D13/103
D345,341 S *	3/1994	Tattari et al.	D13/119
D389,117 S *	1/1998	Nuovo et al.	D13/103
D392,257 S *	3/1998	Lecheler et al.	D13/184
D395,422 S *	6/1998	Sorensen et al.	D13/103
D422,262 S *	4/2000	Peterzell et al.	D13/103

1 Claim, 4 Drawing Sheets



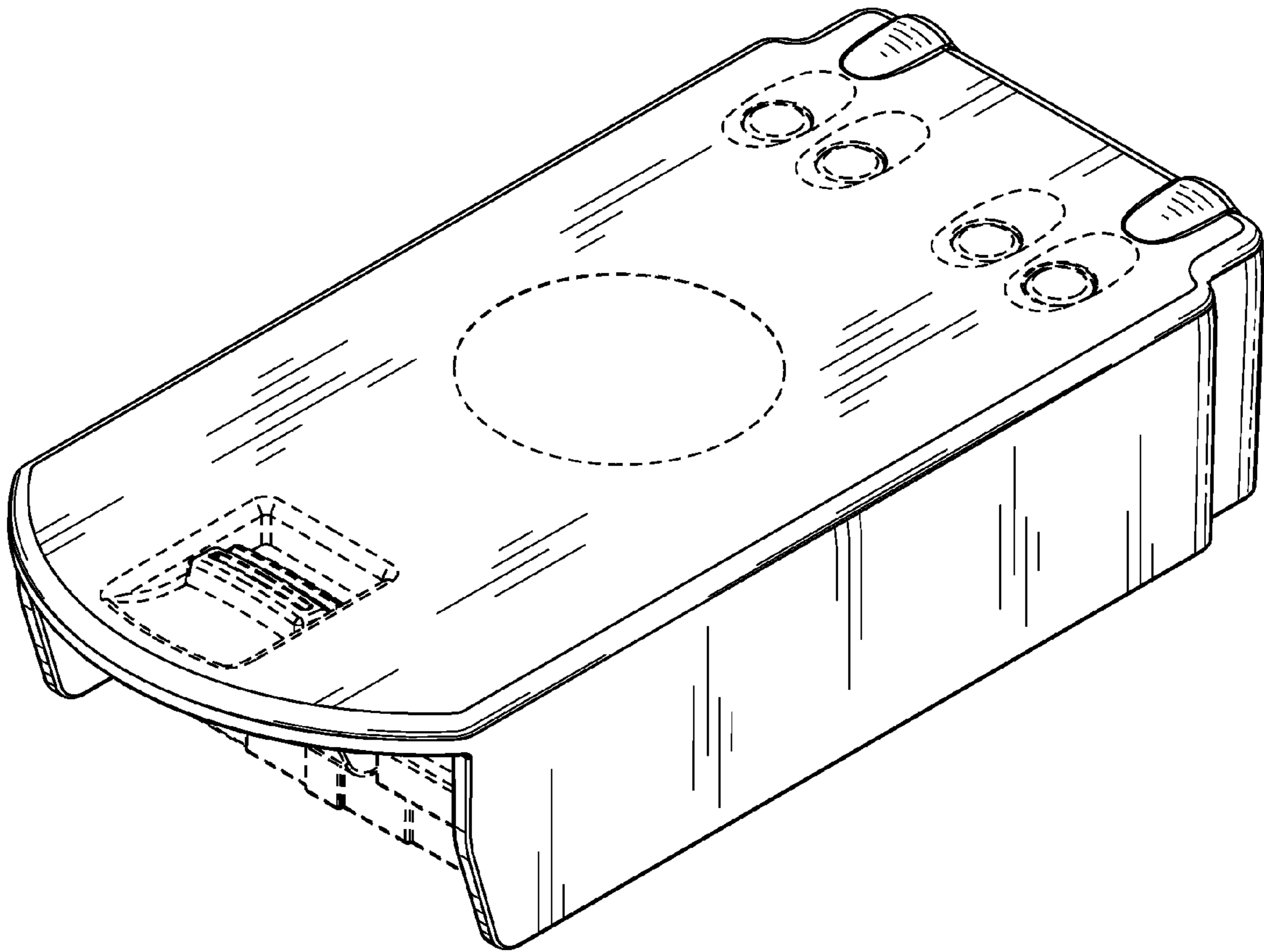


FIG. 1

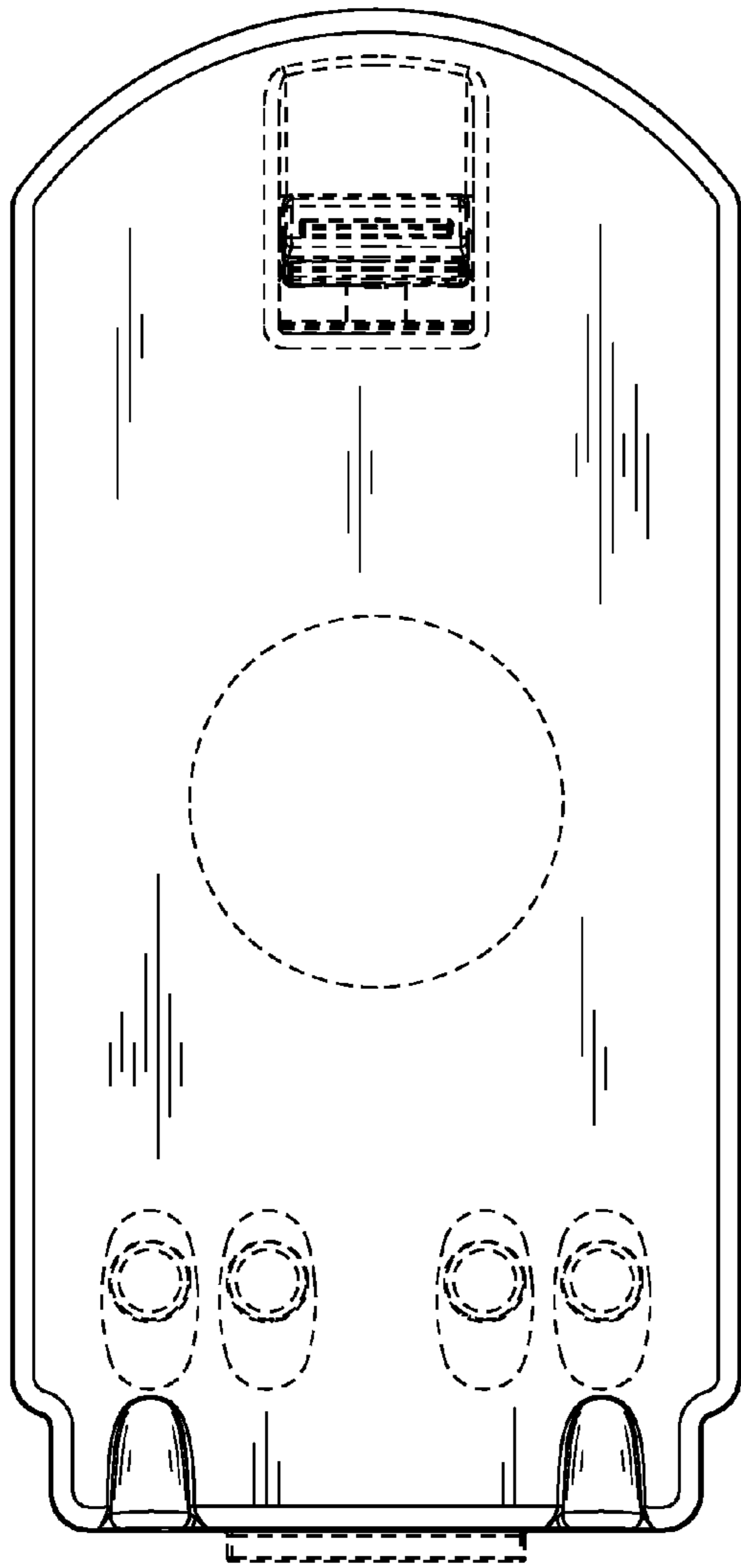


FIG. 2

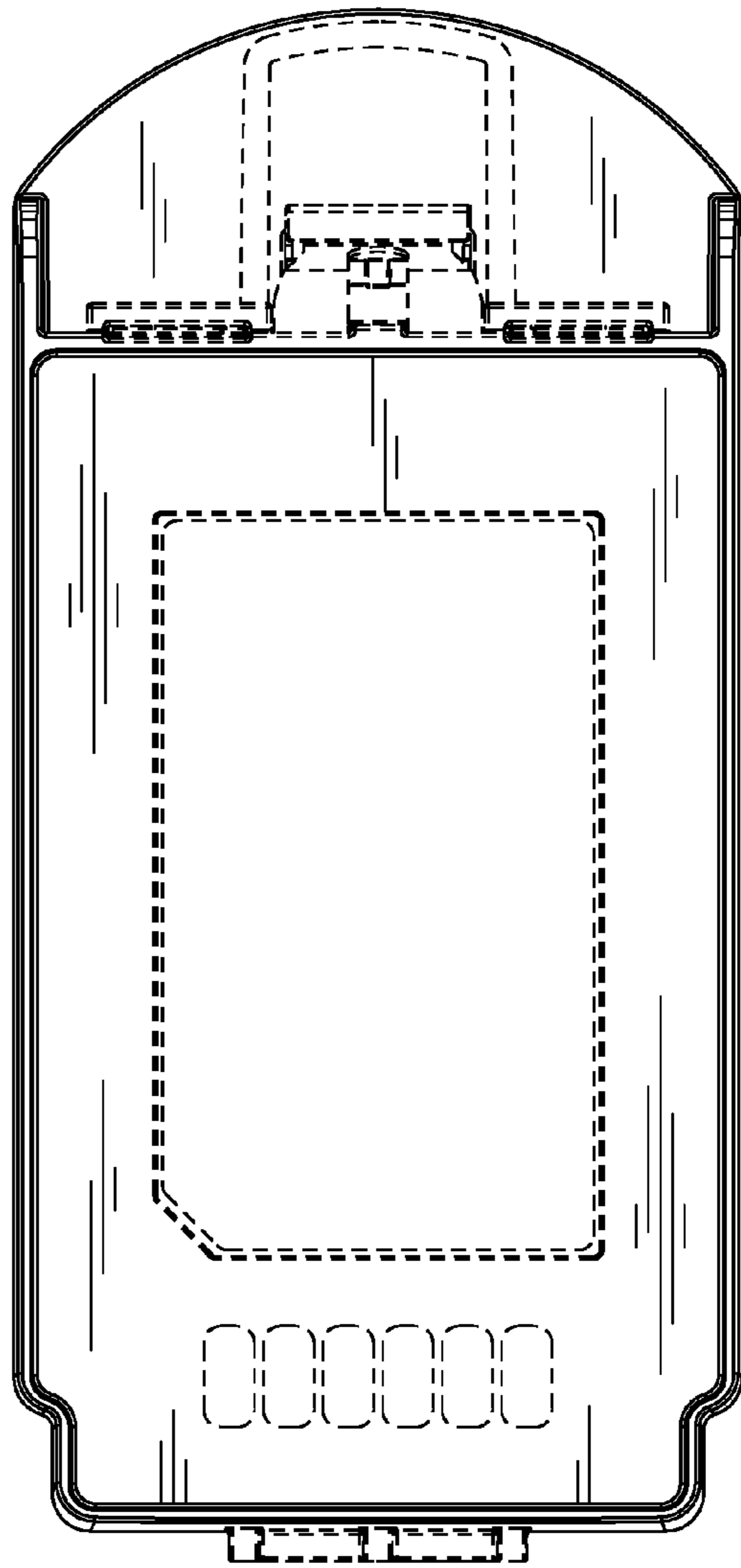


FIG. 3

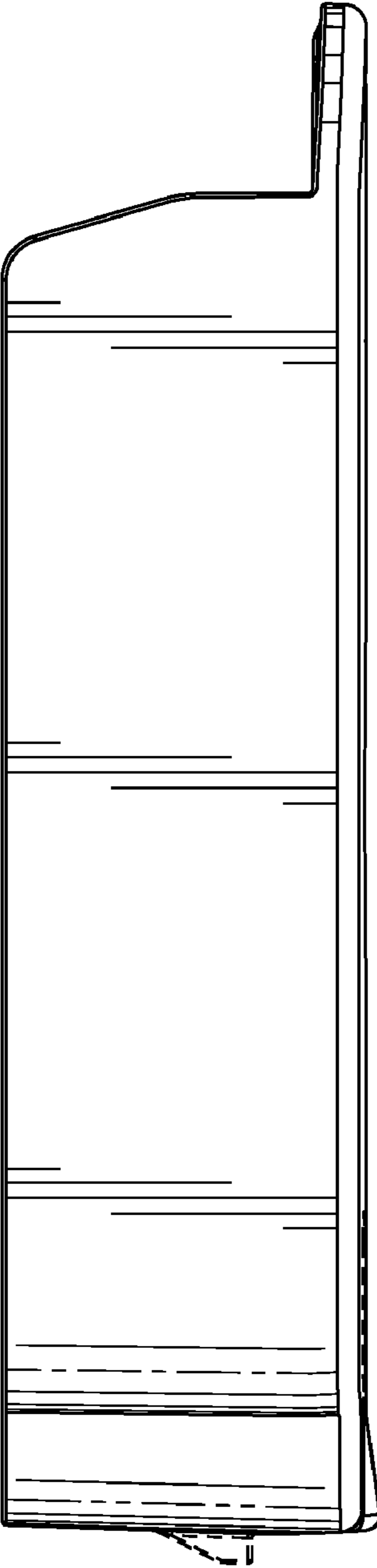


FIG. 4

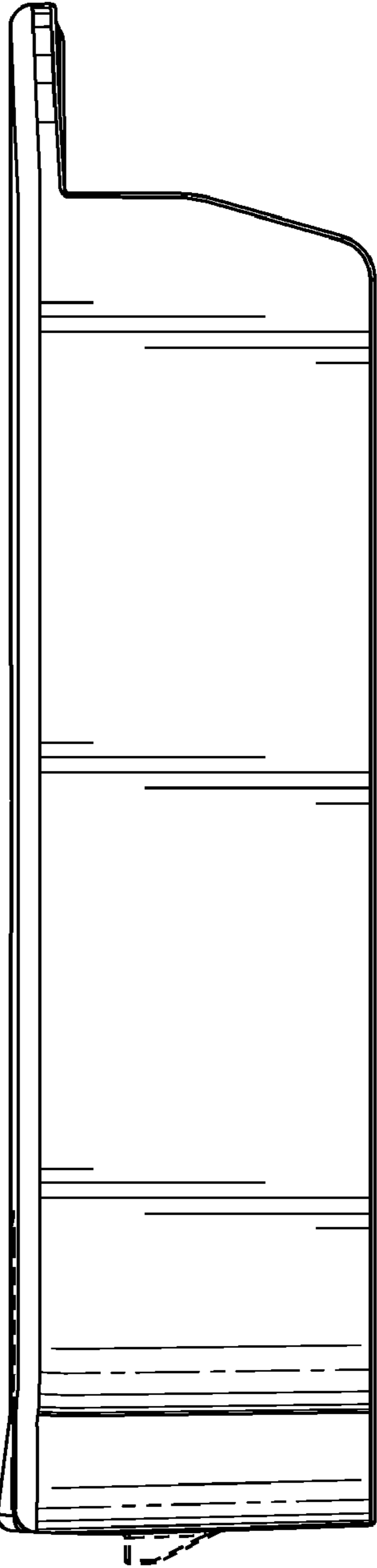


FIG. 5

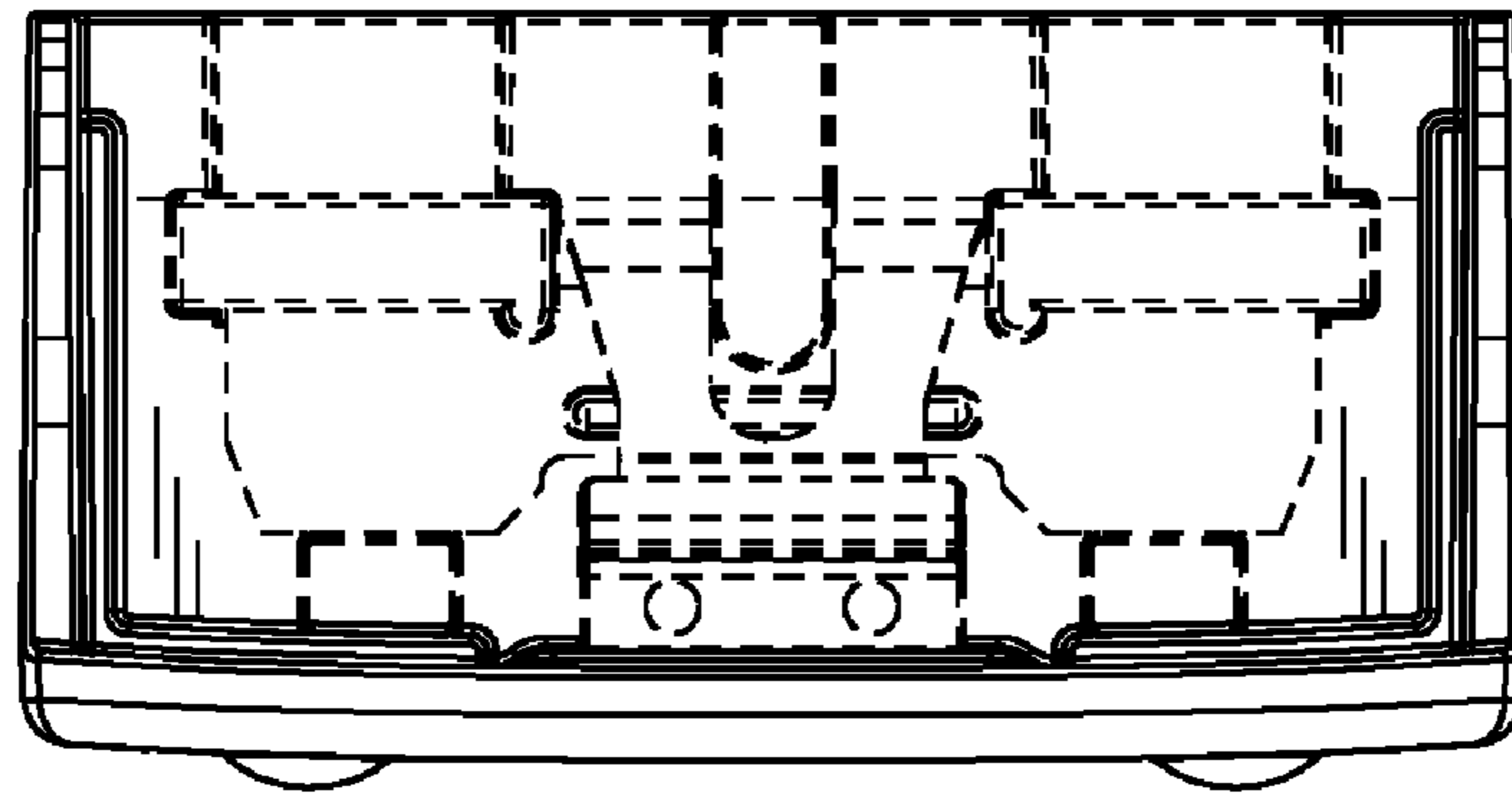


FIG. 6

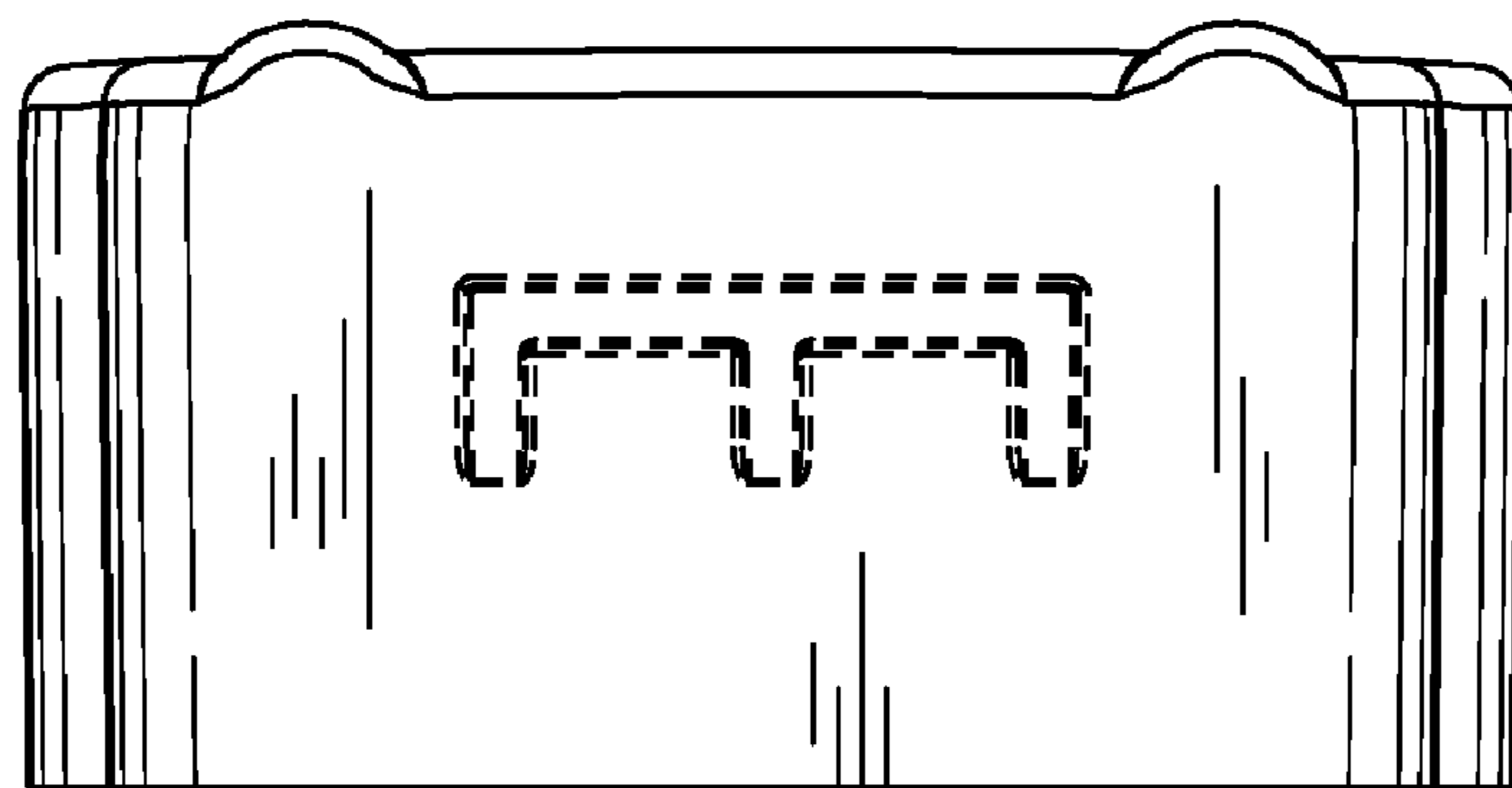


FIG. 7