



US00D553553S

(12) **United States Design Patent**
Taylor

(10) **Patent No.:** **US D553,553 S**

(45) **Date of Patent:** **** Oct. 23, 2007**

(54) **TRUCK BOX RACK FOR CAB PROTECTION AND LONG CARGO**

Primary Examiner—Stacia Cadmus

(74) *Attorney, Agent, or Firm*—Farris Law, P.C.; Robert L. Farris

(76) **Inventor:** **Elwood L. Taylor**, 575 Central Avenue, Thunder Bay, Ontario (CA) P7B 5R5

(57) **CLAIM**

(**) **Term:** **14 Years**

The ornamental design for a truck box rack for cab protection and long cargo, shown and described.

(21) **Appl. No.:** **29/273,407**

(22) **Filed:** **Mar. 5, 2007**

DESCRIPTION

(51) **LOC (8) Cl.** **12-16**

(52) **U.S. Cl.** **D12/414**

(58) **Field of Classification Search** D12/414–414.1, D12/406, 412, 181, 222; 296/3, 7, 26.04, 296/26.05, 180.1, 1.07, 37.6, 37.15; 280/727, 280/756; 224/402–405, 500–501, 551–553
See application file for complete search history.

FIG. 1 is a perspective view of the truck box rack and cab protector;

FIG. 2 is a rear elevational view of the front truck box rack and cab protector;

FIG. 3 is a top plan view of the front truck box rack and cab protector;

FIG. 4 is a bottom plan view of the front truck box rack and cab protector; and,

FIG. 5 is a side elevational view of the front truck box rack and cab protector.

(56) **References Cited**

U.S. PATENT DOCUMENTS

| | | | | |
|--------------|---------|---------------|-------|---------|
| D206,654 S * | 1/1967 | Smith | | D12/414 |
| D394,639 S * | 5/1998 | Carter | | D12/406 |
| D467,862 S * | 12/2002 | Jenkins | | D12/414 |
| D494,921 S * | 8/2004 | Taylor | | D12/414 |
| D528,968 S * | 9/2006 | Storer et al. | | D12/414 |

The truck rack is shown on an enlarged scale in FIGS. 2–5.

The broken line showing of environment is for illustrative purposes only and forms no part of the claimed design.

* cited by examiner

1 Claim, 3 Drawing Sheets

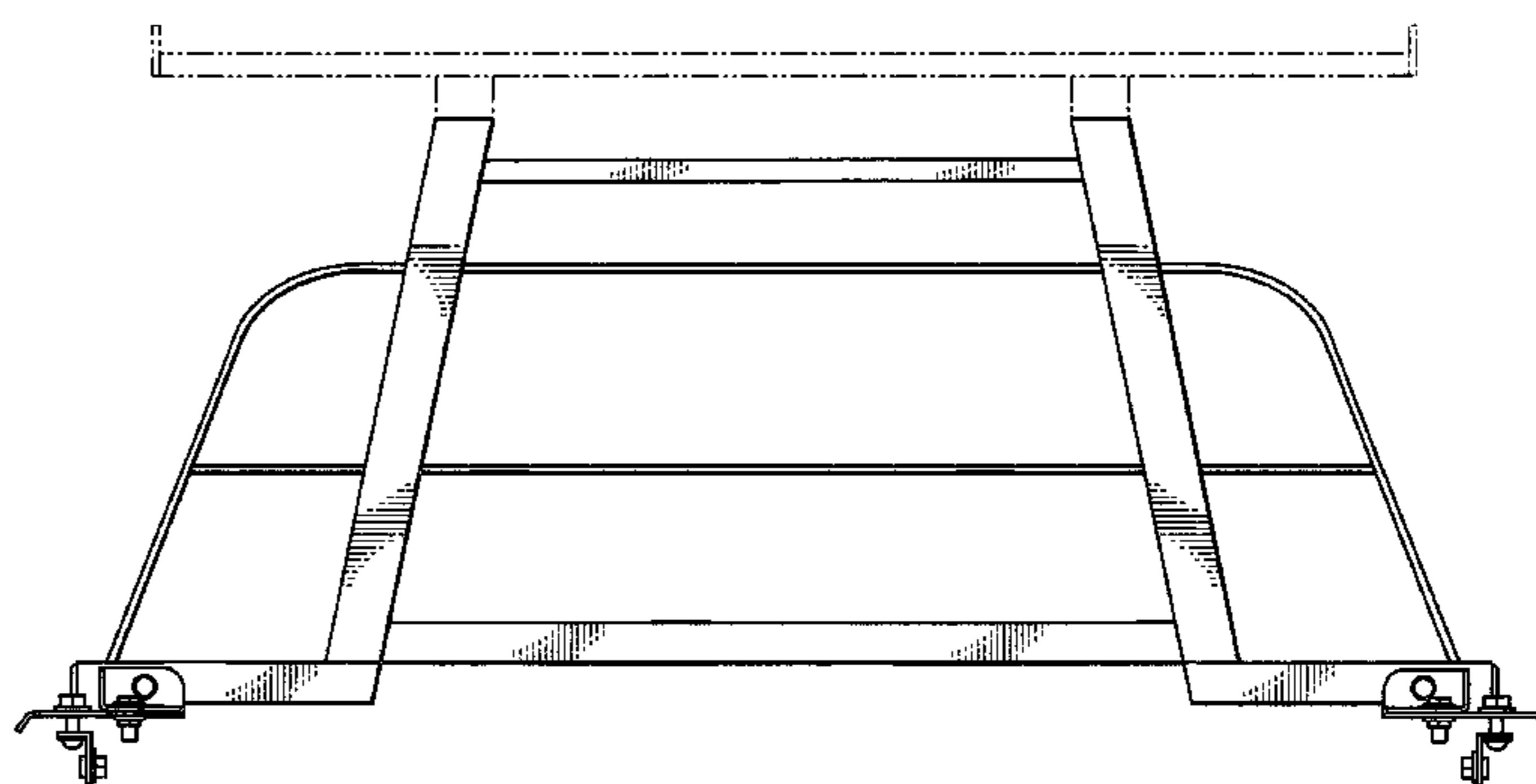
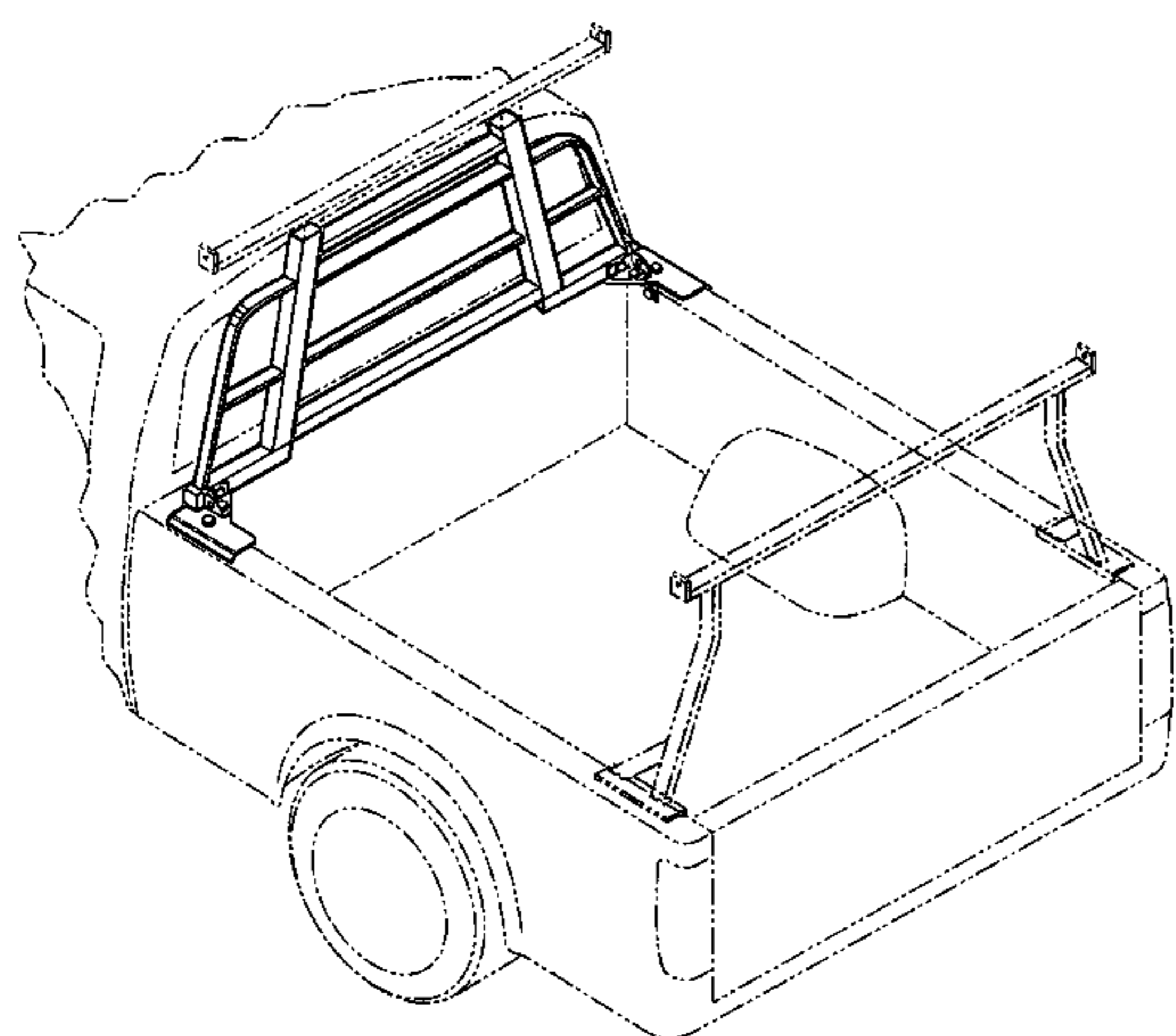


FIG - 5

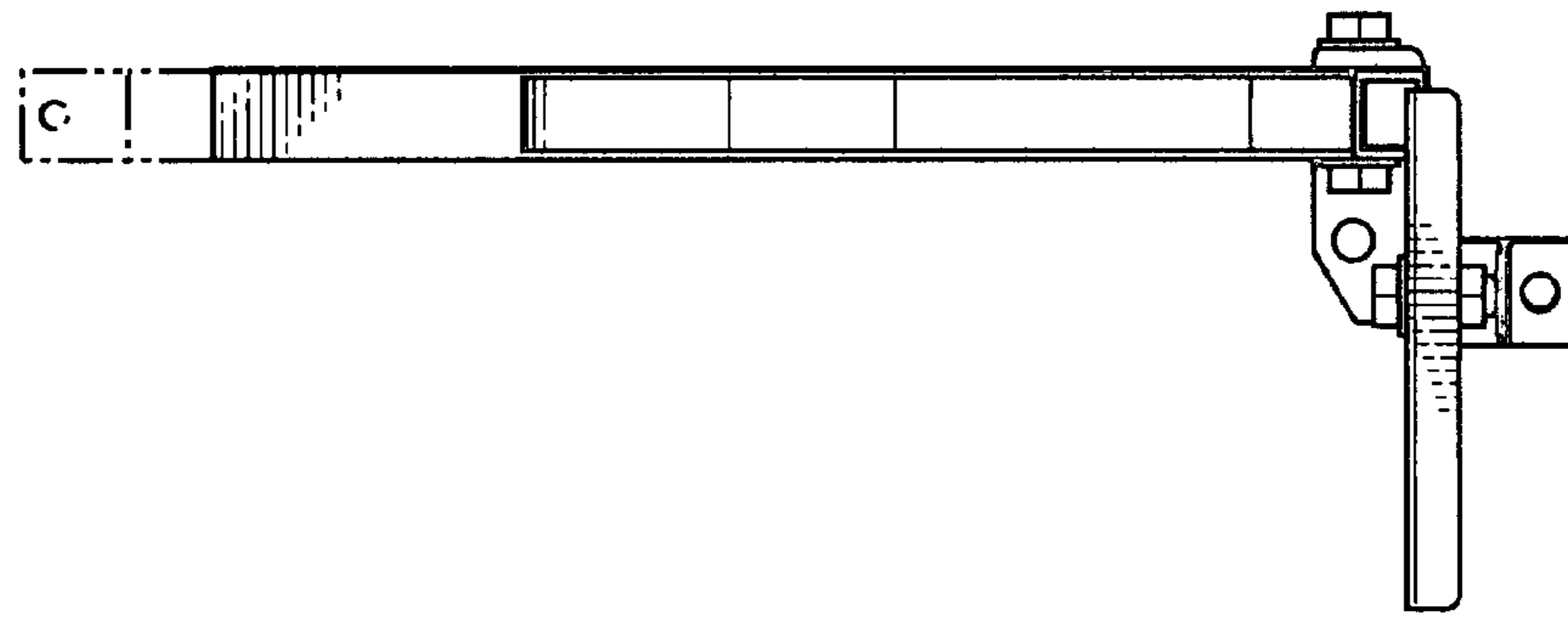
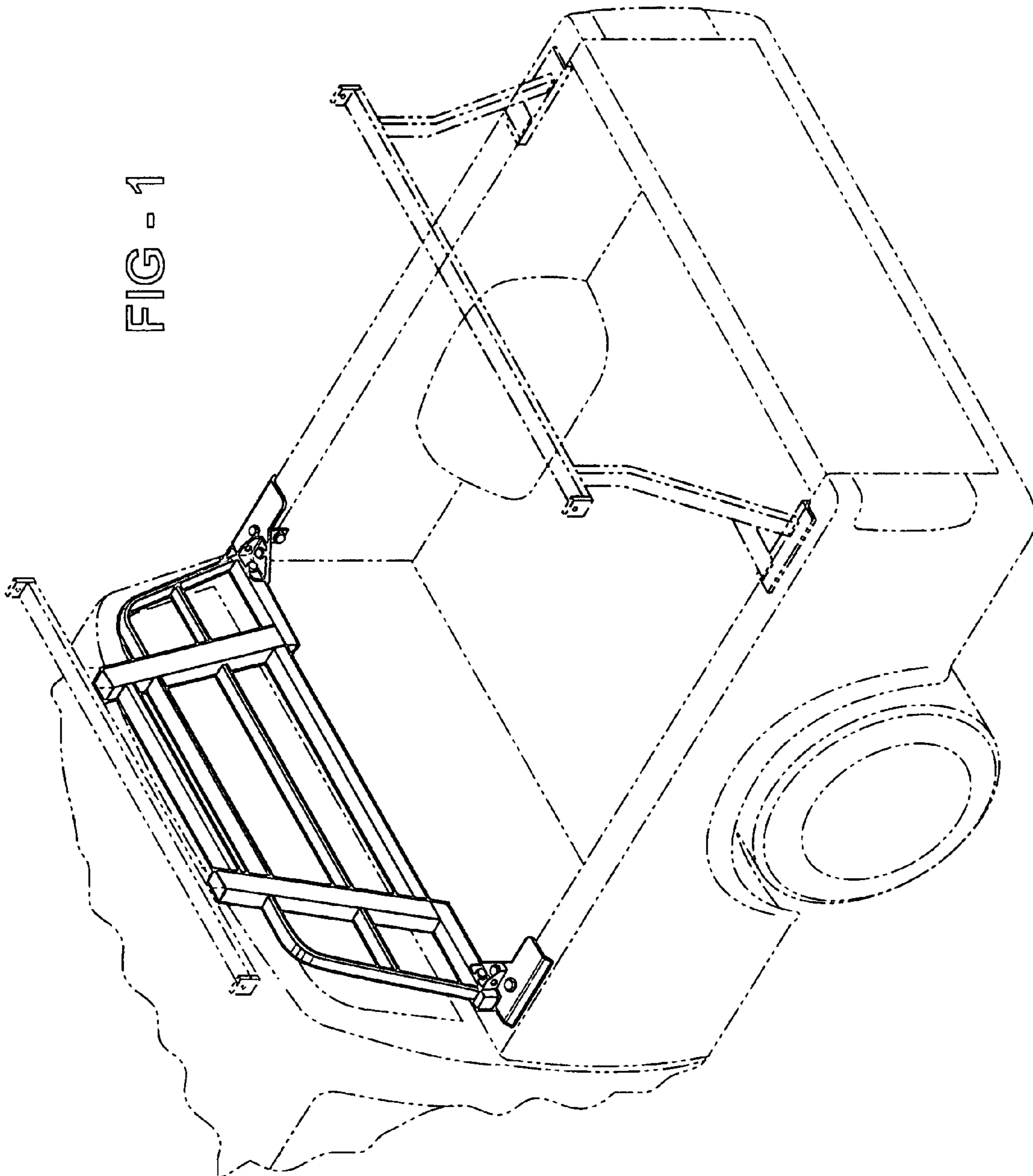


FIG - 1



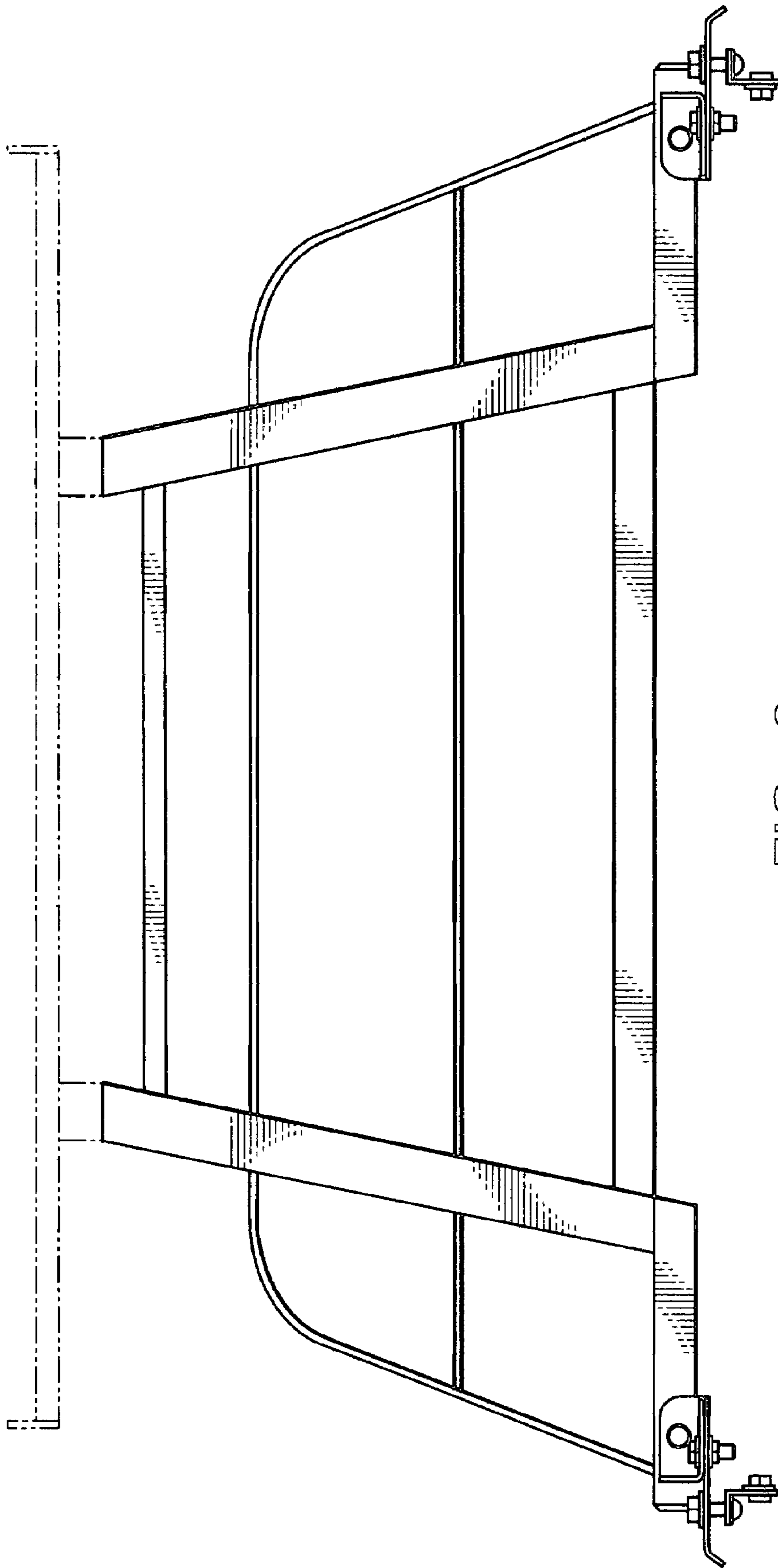


FIG - 2

