



US00D553552S

(12) **United States Design Patent**
Heng

(10) **Patent No.:** **US D553,552 S**

(45) **Date of Patent:** **** Oct. 23, 2007**

(54) **CONNECTOR FOR A WINDSHIELD WIPER**

(75) Inventor: **Chiang Min Heng**, Taipei Hsien (TW)

(73) Assignee: **Fu Gang Co., Ltd.**, Taipei Hsien (TW)

(**) Term: **14 Years**

(21) Appl. No.: **29/279,171**

(22) Filed: **Apr. 23, 2007**

(51) **LOC (8) Cl.** **12-06**

(52) **U.S. Cl.** **D12/220**

(58) **Field of Classification Search** D12/219-220;
403/3-4, 321, 329; 15/250.001, 250.05,
15/250.07, 250.3, 250.32, 250.33, 250.38-44,
15/260.46, 250.351, 250.361
See application file for complete search history.

(56) **References Cited**

U.S. PATENT DOCUMENTS

D395,864 S *	7/1998	Stahlhut et al.	D12/220
D402,254 S *	12/1998	Lee	D12/220
D404,354 S *	1/1999	Witek et al.	D12/220
D410,889 S *	6/1999	Lee	D12/220
D411,503 S *	6/1999	Lee	D12/220
D418,474 S *	1/2000	Witek et al.	D12/220

D473,507 S *	4/2003	Huang	D12/220
D478,308 S *	8/2003	Lee	D12/220
D480,679 S *	10/2003	Lee	D12/220
D540,243 S *	4/2007	Herring et al.	D12/220

* cited by examiner

Primary Examiner—Stacia Cadmus

(74) *Attorney, Agent, or Firm*—Leong C. Lei

(57) **CLAIM**

The ornamental design of a connector for a windshield wiper, as shown and described.

DESCRIPTION

FIG. 1 is a perspective view of a connector for a windshield wiper showing my new design;

FIG. 2 is a front elevational view thereof;

FIG. 3 is a rear elevational view thereof;

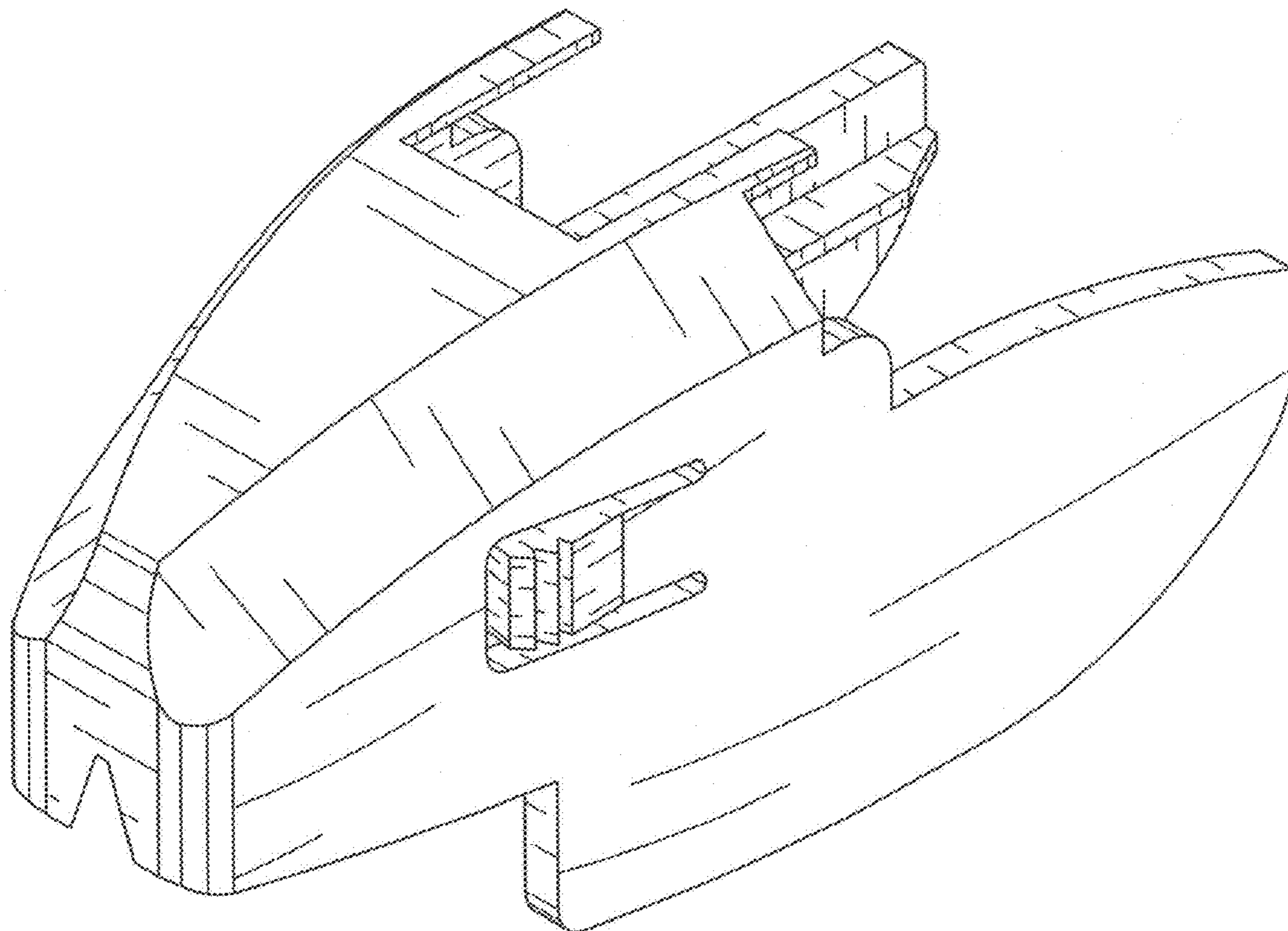
FIG. 4 is a left side elevational view thereof;

FIG. 5 is a right side elevational view thereof;

FIG. 6 is a top plan view thereof; and,

FIG. 7 is a bottom plan view thereof.

1 Claim, 4 Drawing Sheets



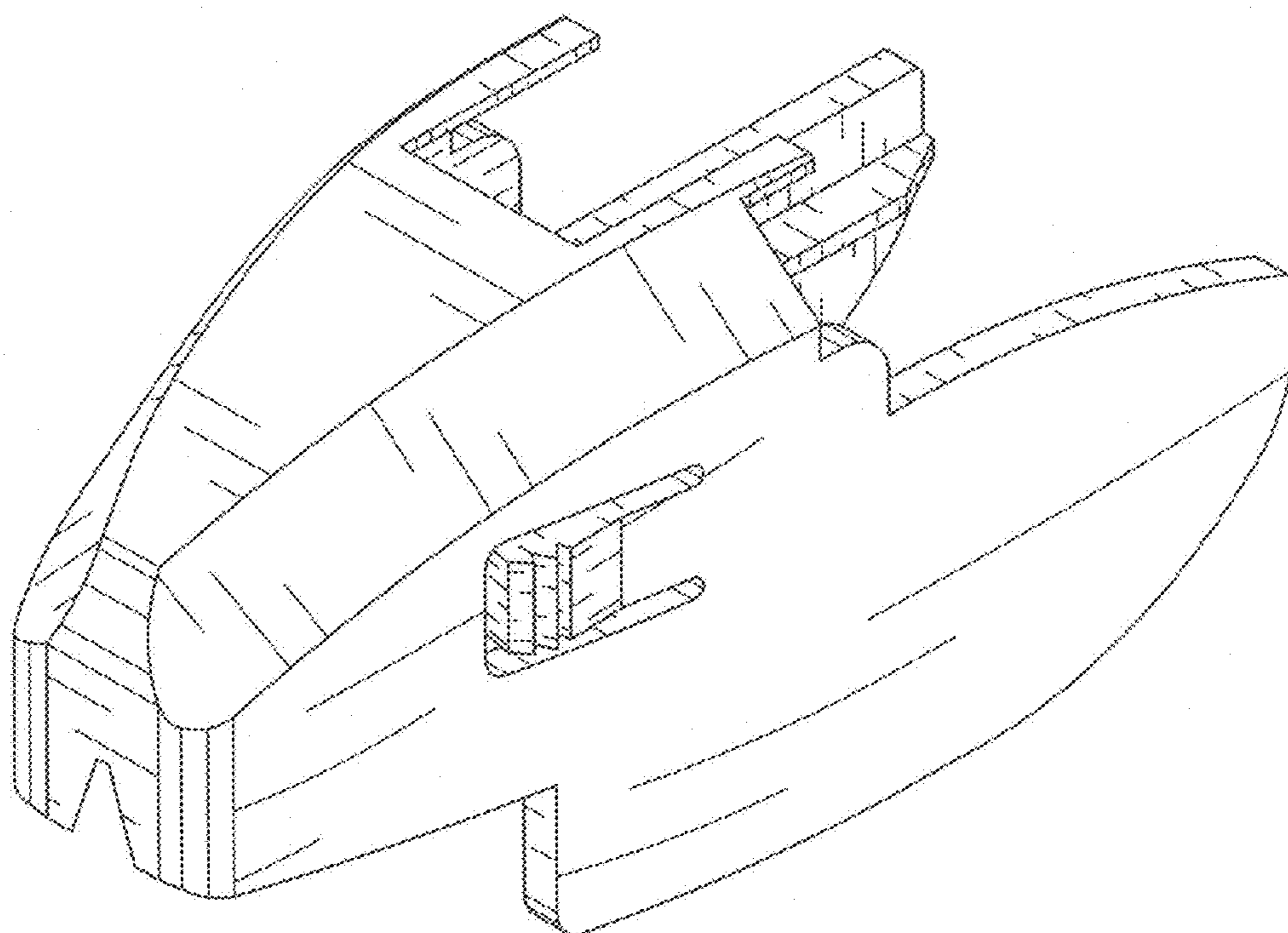


FIG. 1

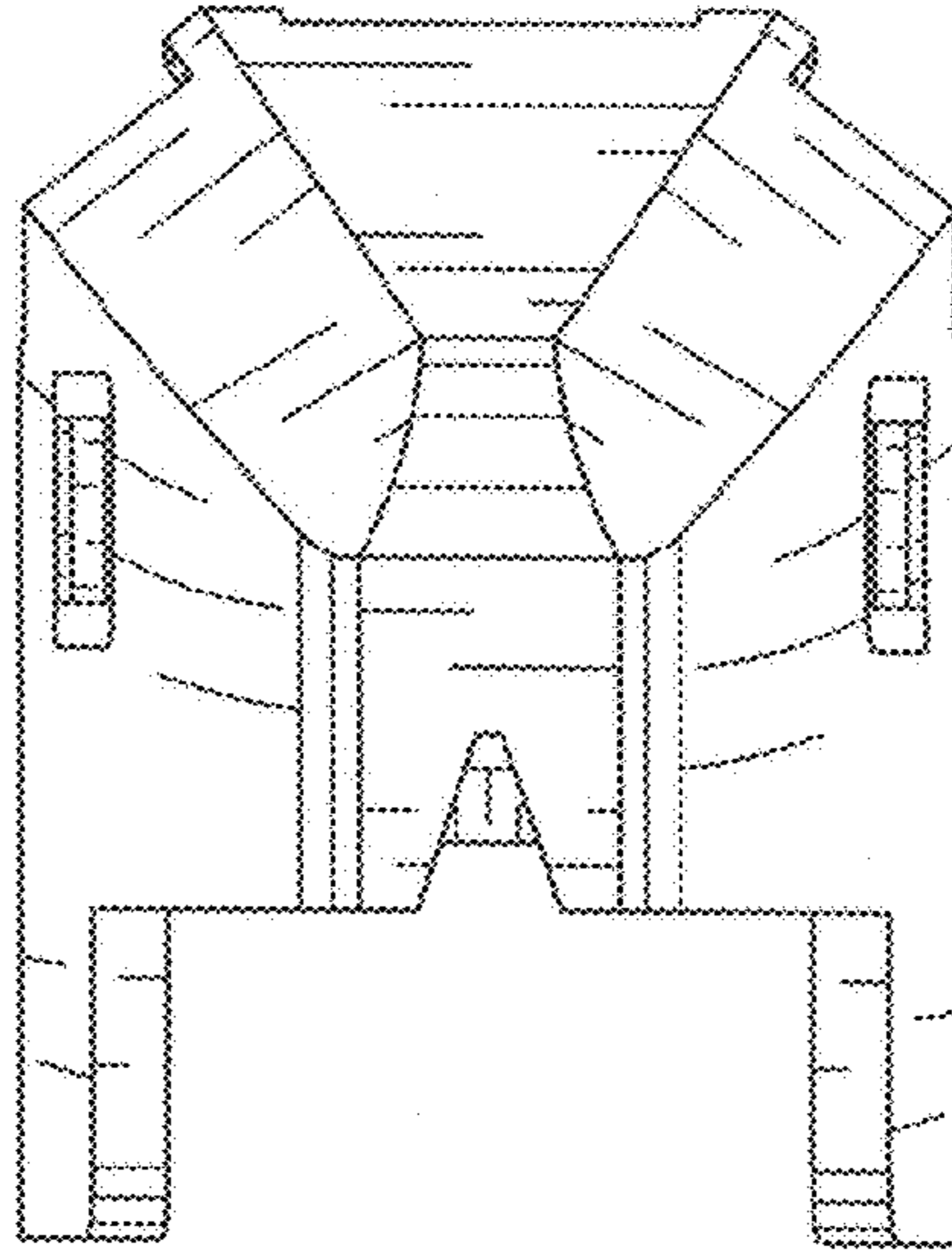


FIG. 2

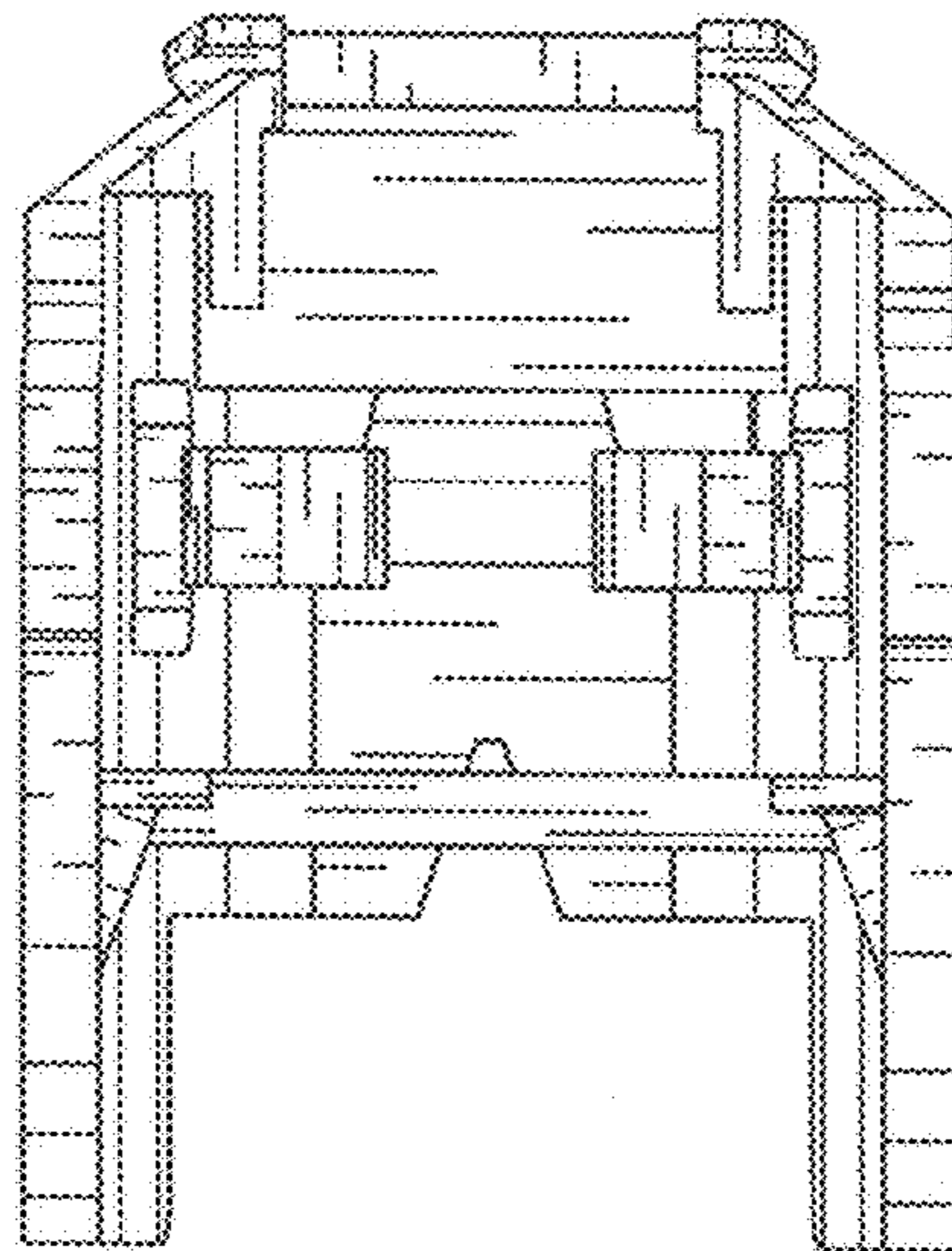


FIG. 3

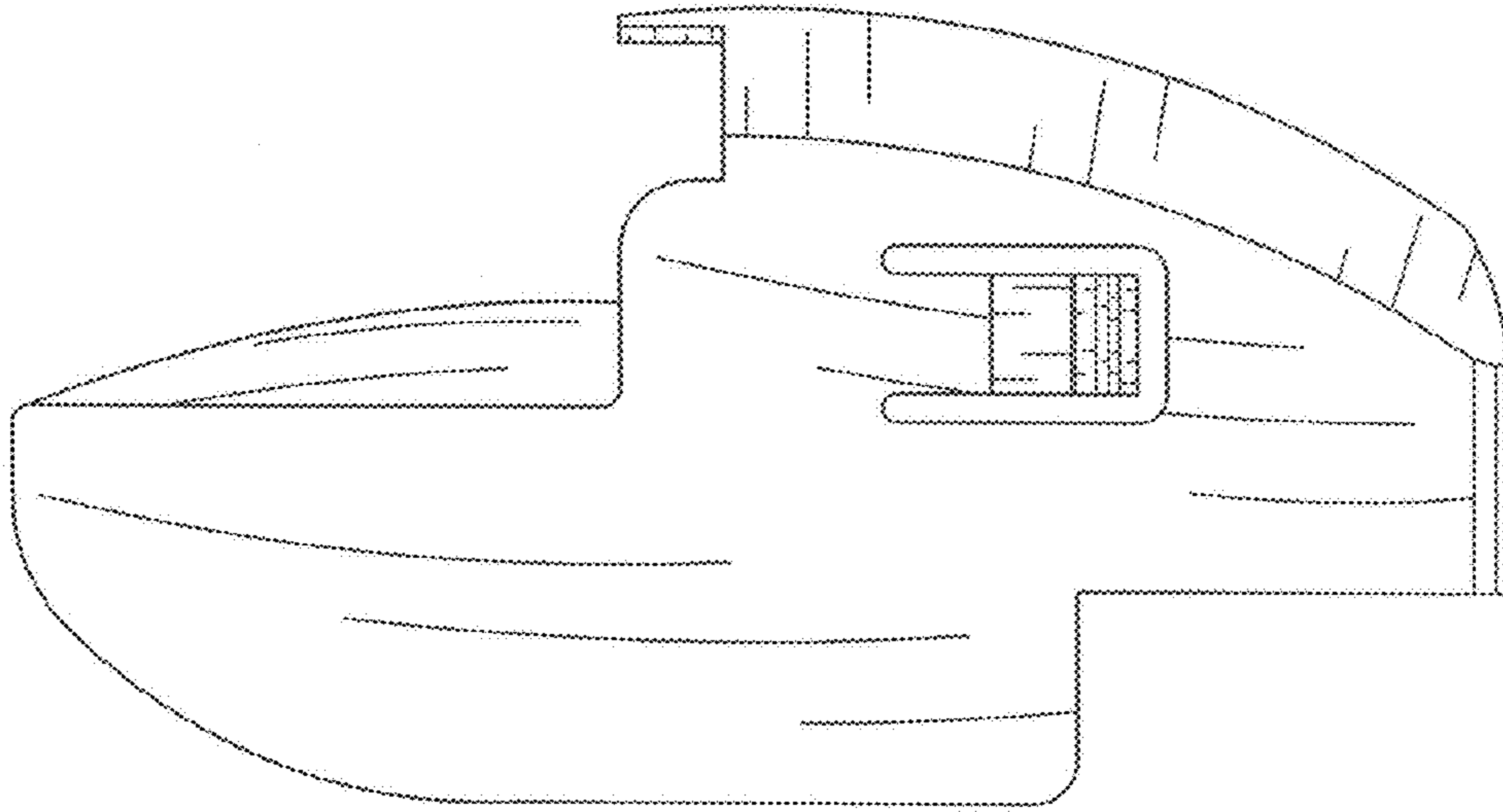


FIG. 4

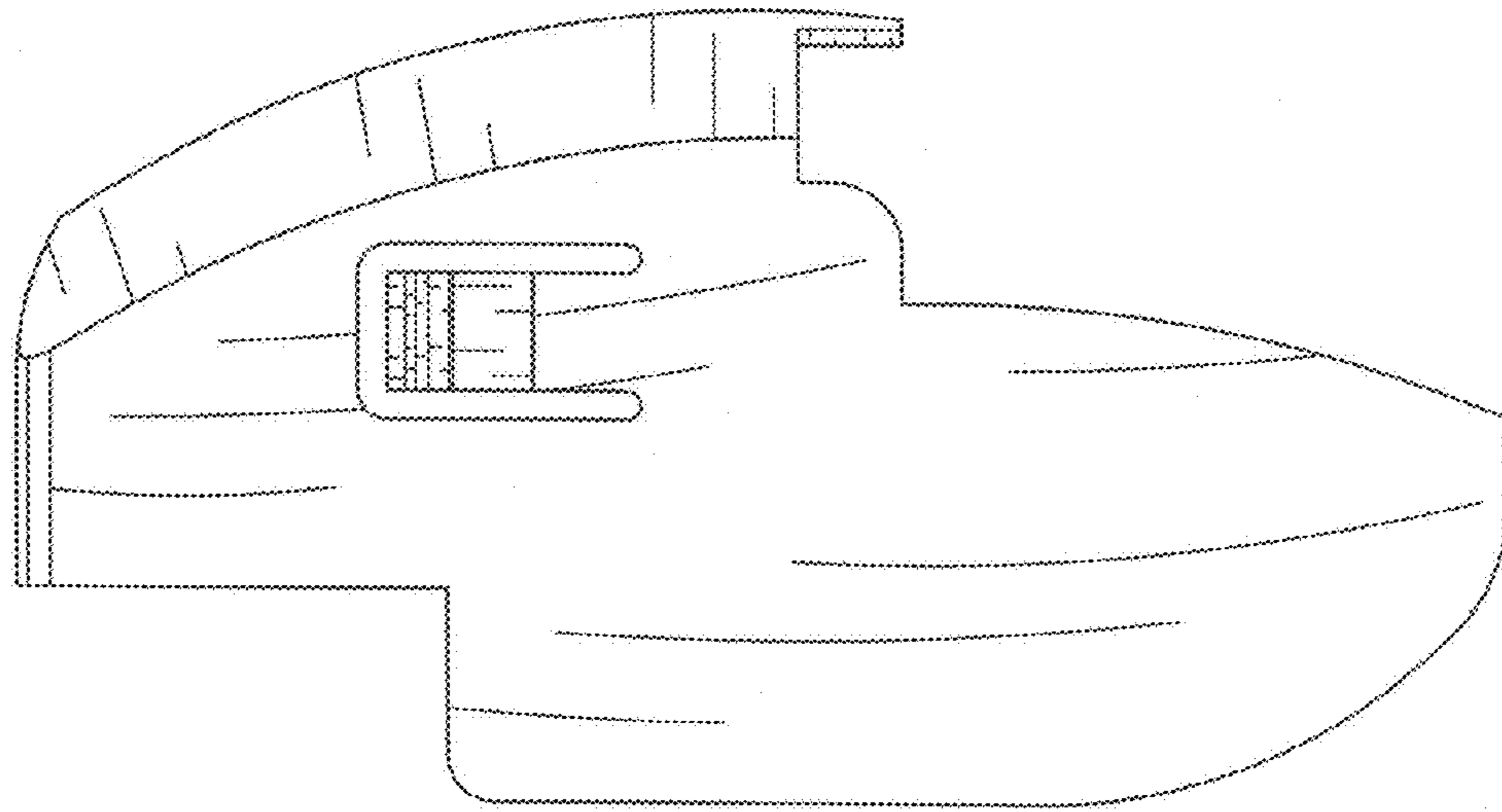


FIG. 5

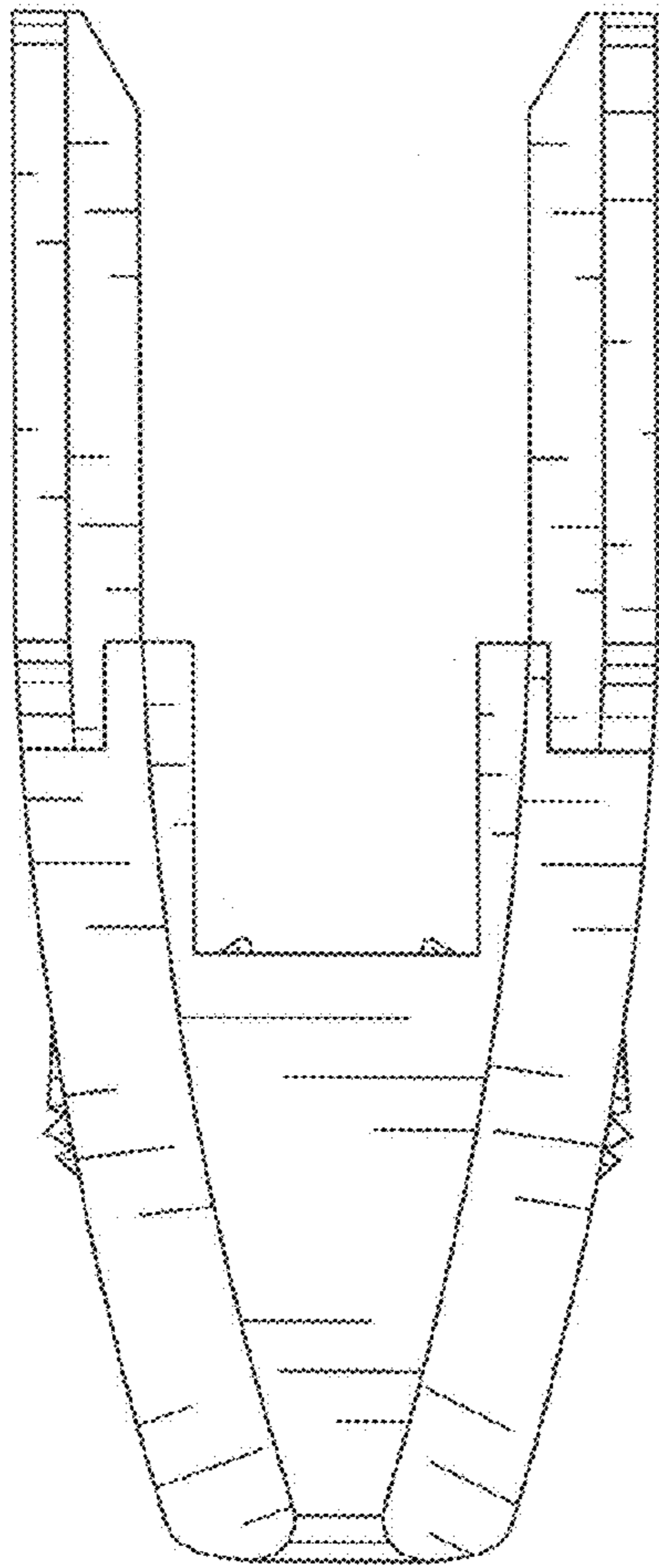


FIG. 6

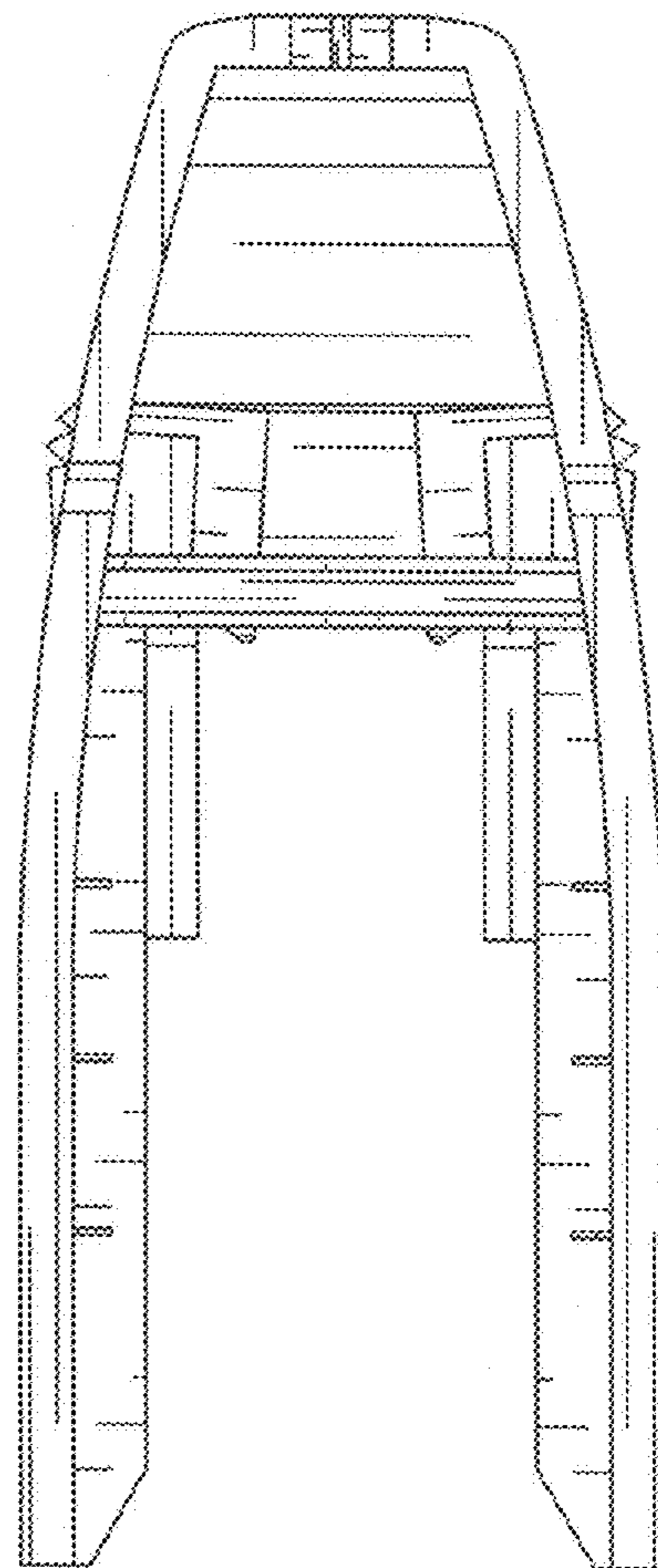


FIG. 7