



US00D553549S

(12) **United States Design Patent**  
**Martin**

(10) **Patent No.:** **US D553,549 S**

(45) **Date of Patent:** **\*\* Oct. 23, 2007**

(54) **VEHICLE WHEEL**

(75) Inventor: **Jeffrey L. Martin**, Duncanville, TX  
(US)

(73) Assignee: **Prestige Autotech Corporation**, Chino,  
CA (US)

(\*\*) Term: **14 Years**

(21) Appl. No.: **29/273,237**

(22) Filed: **Feb. 28, 2007**

(51) **LOC (8) Cl.** ..... **12-16**

(52) **U.S. Cl.** ..... **D12/209**

(58) **Field of Classification Search** ..... D12/204–213;  
301/37.101, 64.101, 65  
See application file for complete search history.

(56) **References Cited**

**U.S. PATENT DOCUMENTS**

D455,700 S *	4/2002	Foose	.....	D12/209
D471,499 S *	3/2003	Cahyono	.....	D12/209
D489,667 S *	5/2004	Kaucher	.....	D12/209
D491,870 S *	6/2004	Kim	.....	D12/209
D497,863 S *	11/2004	Cahyono	.....	D12/209
D498,724 S *	11/2004	Cahyono	.....	D12/209
D501,174 S *	1/2005	Kataoka	.....	D12/209
D522,436 S *	6/2006	Long	.....	D12/209
D523,386 S *	6/2006	Khan	.....	D12/209

D528,494 S *	9/2006	Osborne et al.	.....	D12/209
D533,824 S *	12/2006	Martin	.....	D12/209
D540,730 S *	4/2007	Musser	.....	D12/209

\* cited by examiner

*Primary Examiner*—Stacia Cadmus

(74) *Attorney, Agent, or Firm*—Fulwider Patton LLP

(57) **CLAIM**

The ornamental design for a “vehicle wheel,” as shown and described.

**DESCRIPTION**

FIG. 1 is a perspective view of the vehicle wheel showing one embodiment of my new design;

FIG. 2 is a front elevational view thereof;

FIG. 3 is a cross-sectional view taken along the lines of 3—3 of FIG. 2;

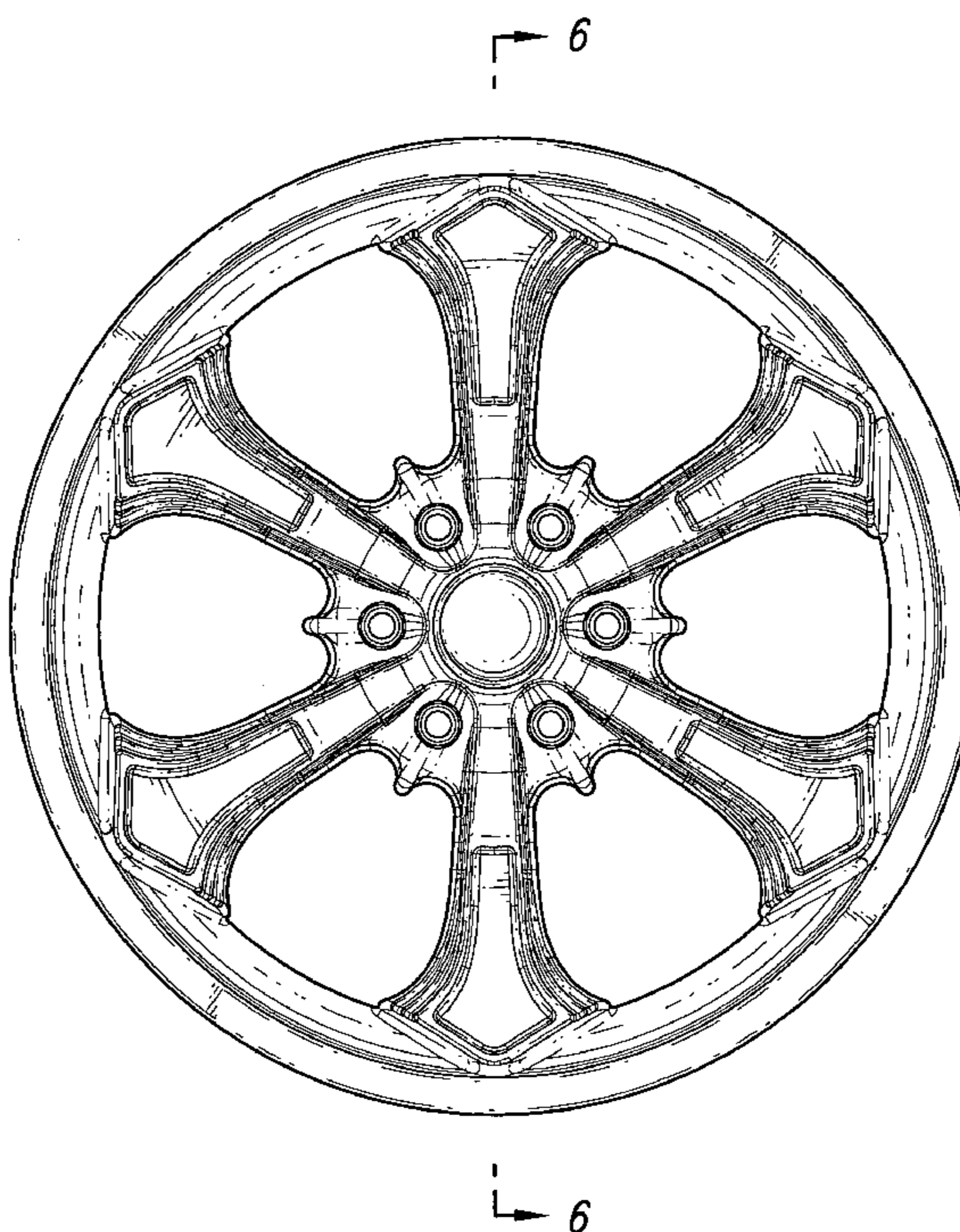
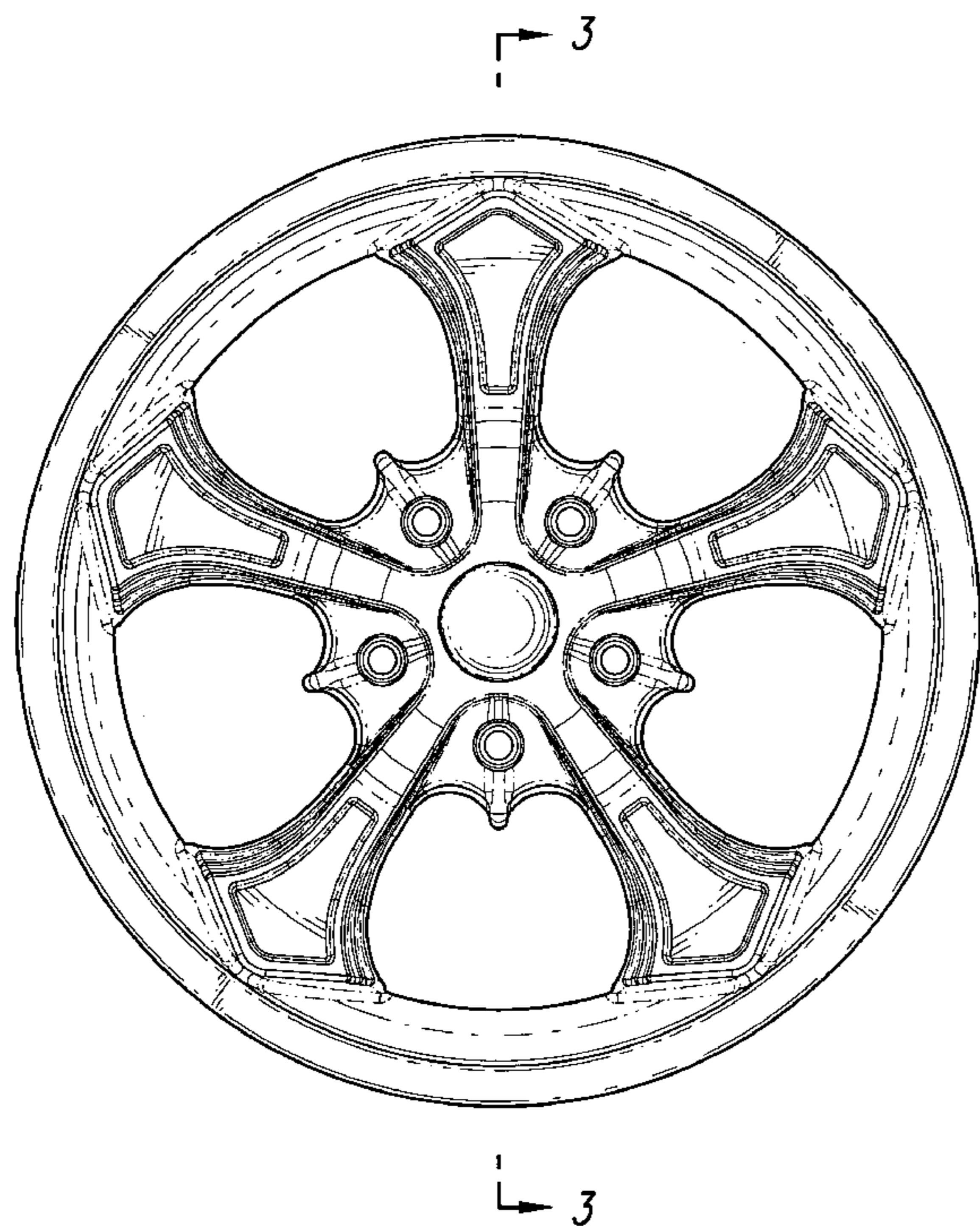
FIG. 4 is a perspective view of the vehicle wheel showing a second embodiment of my new design;

FIG. 5 is a front elevational view thereof; and,

FIG. 6 is a cross-sectional view taken along the lines of 6—6 of FIG. 5.

The broken lines showing the environment is for illustrative purposes only and forms no part of the claimed design.

**1 Claim, 6 Drawing Sheets**



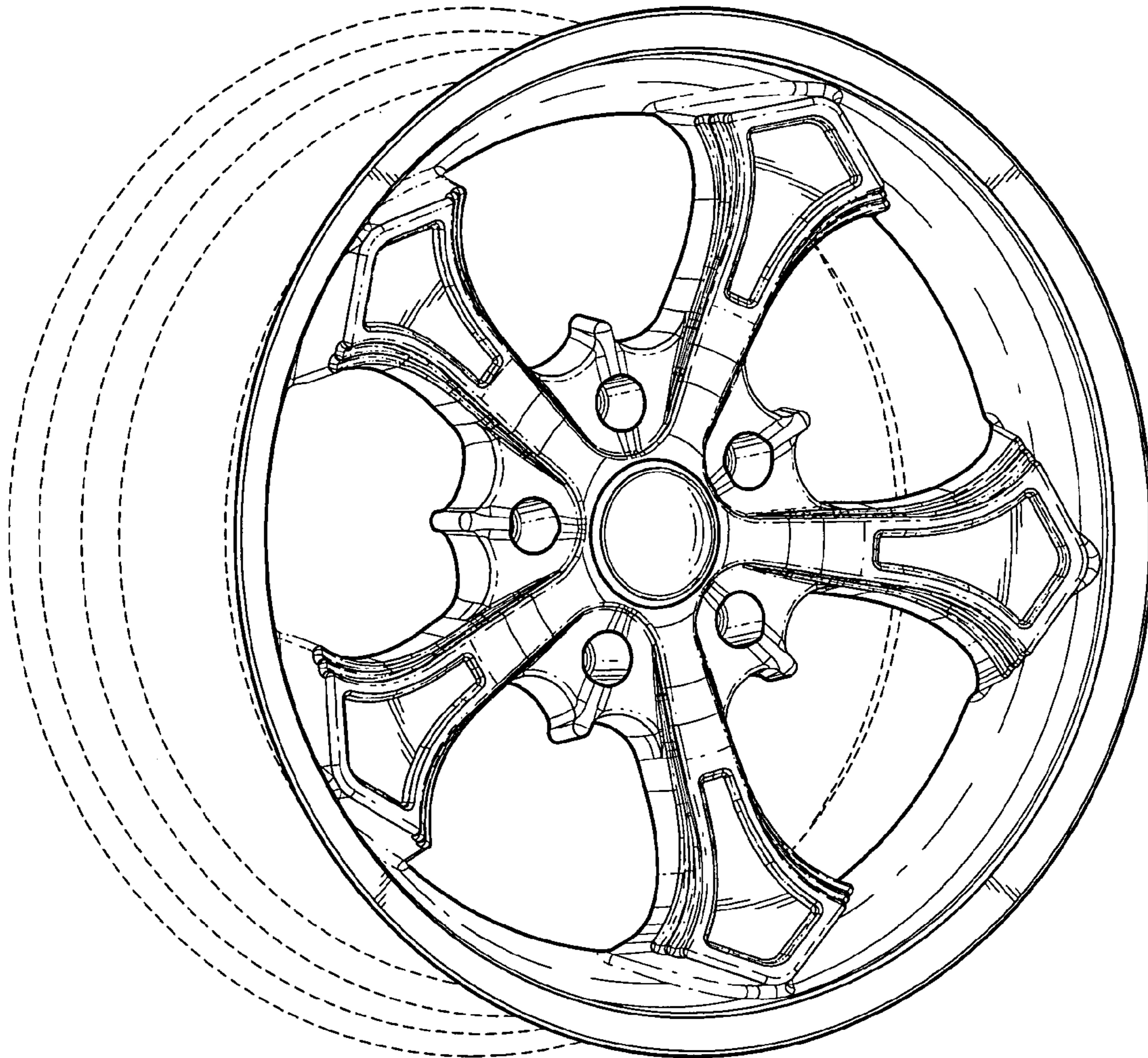


FIG. 1

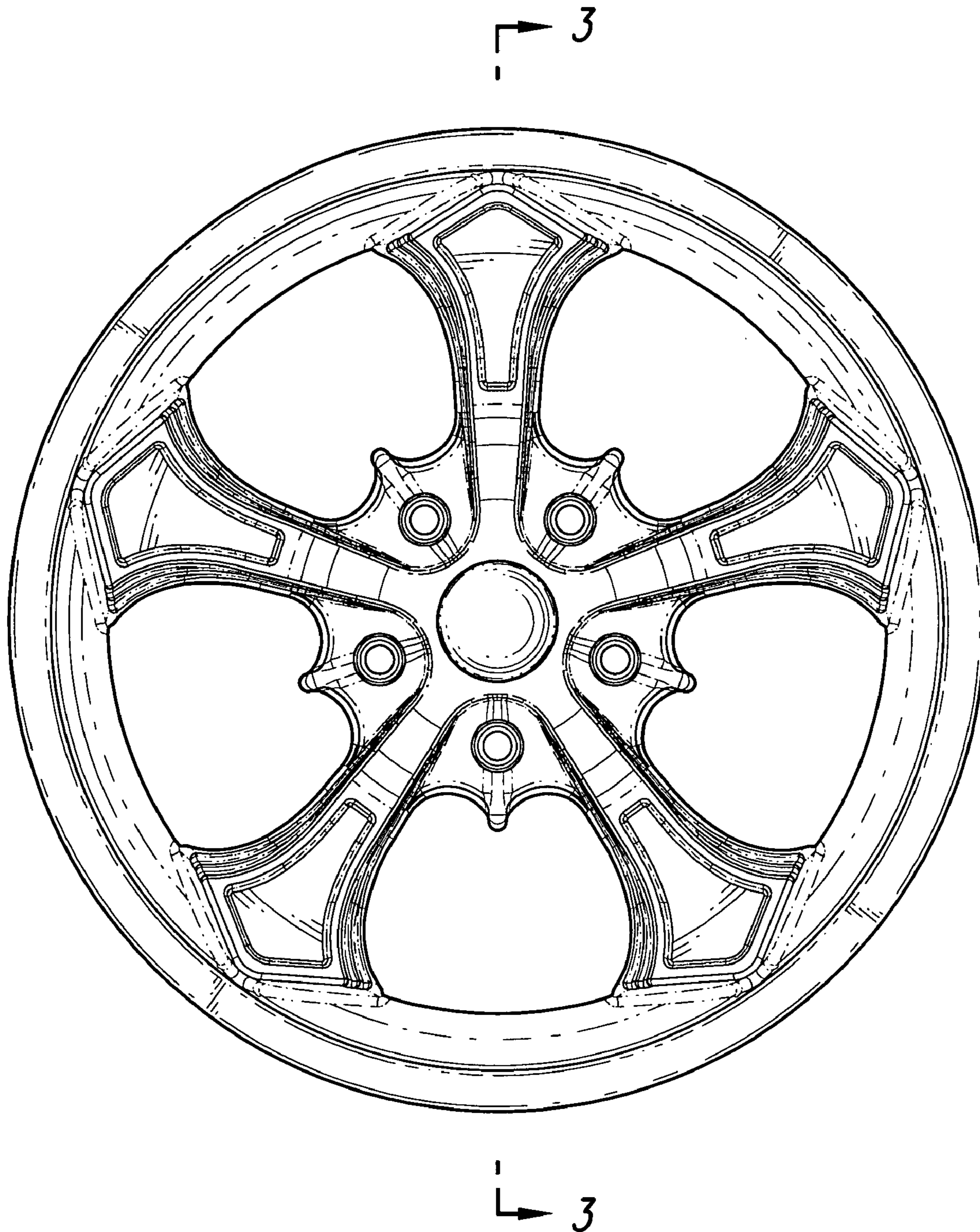


FIG. 2

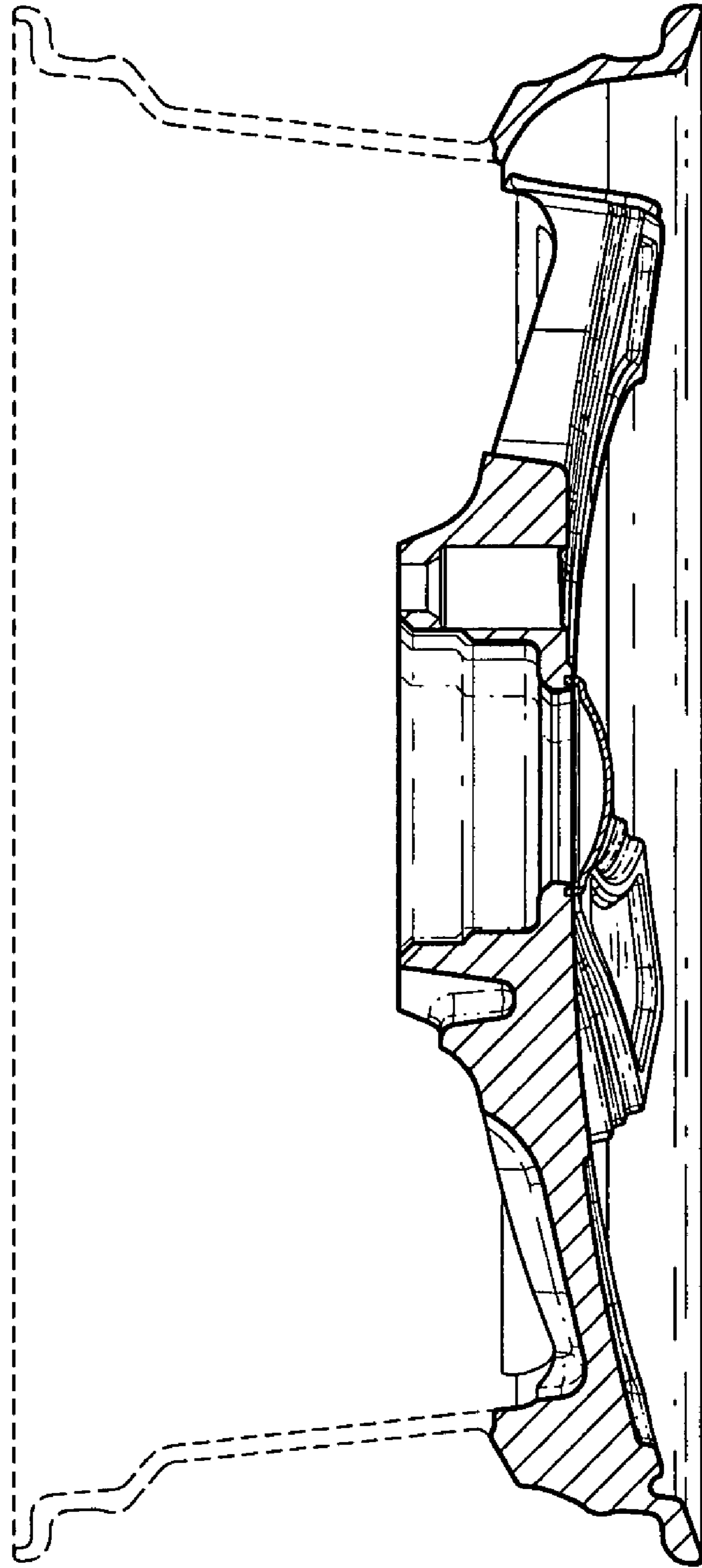


FIG. 3

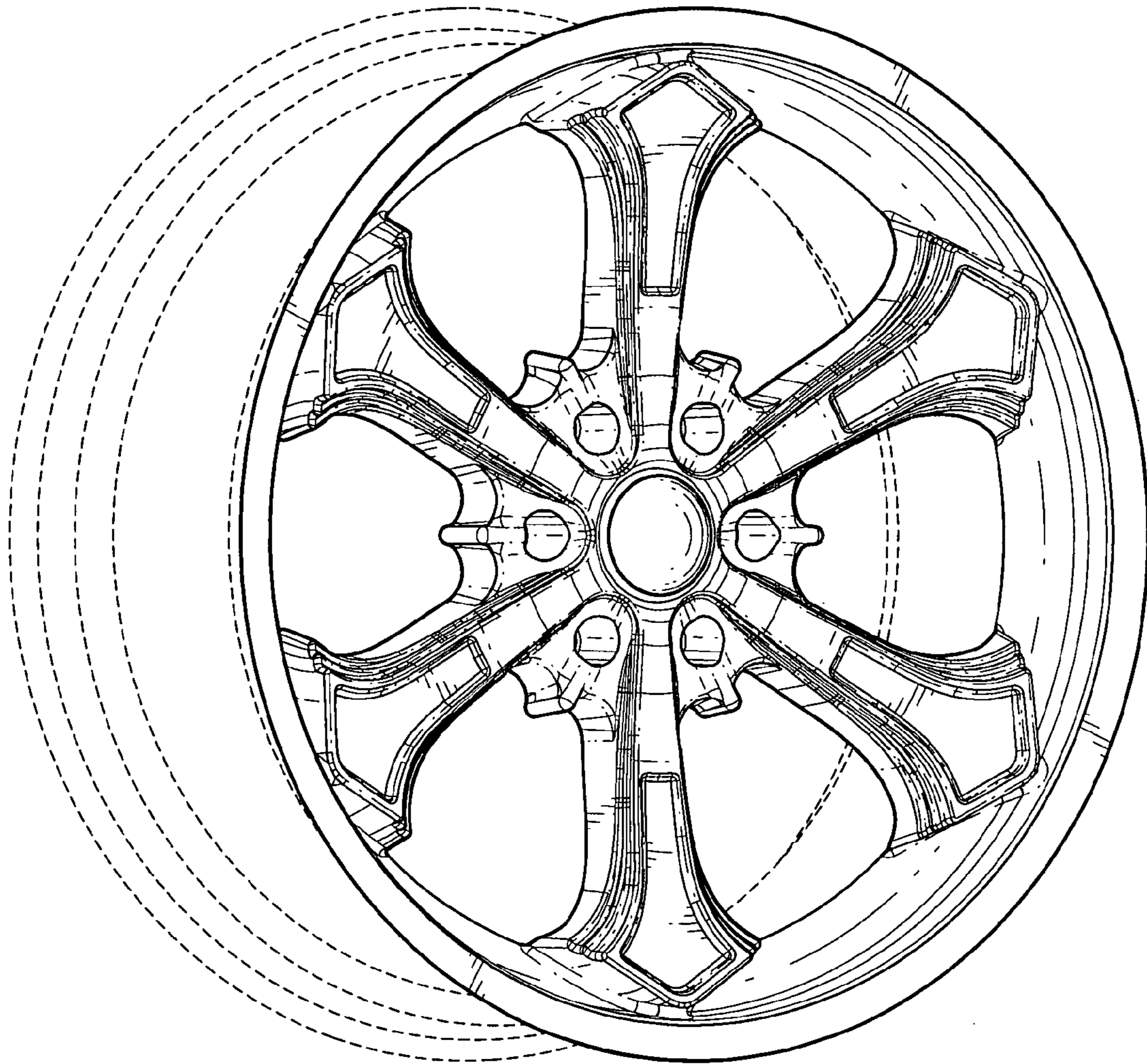


FIG. 4

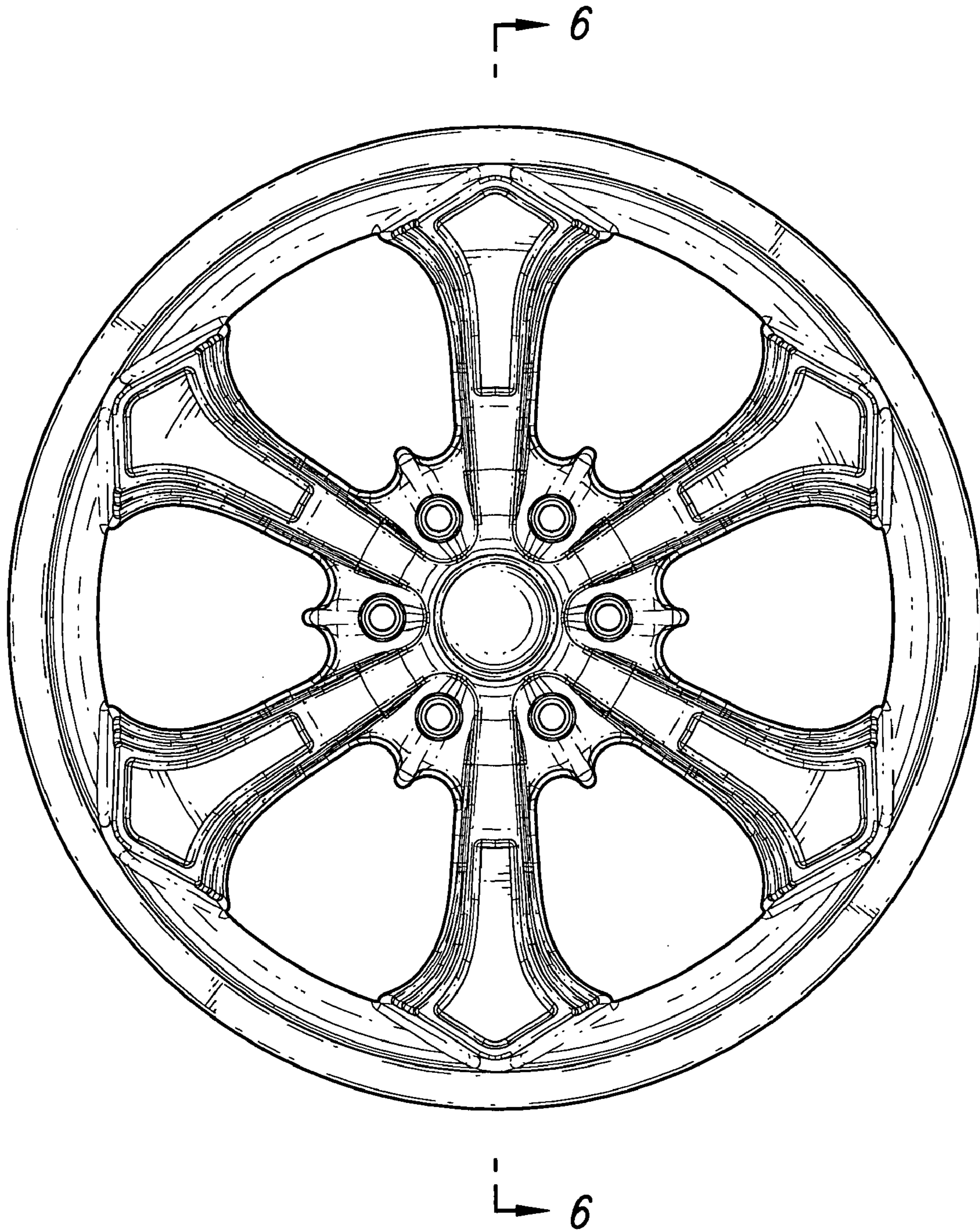


FIG. 5

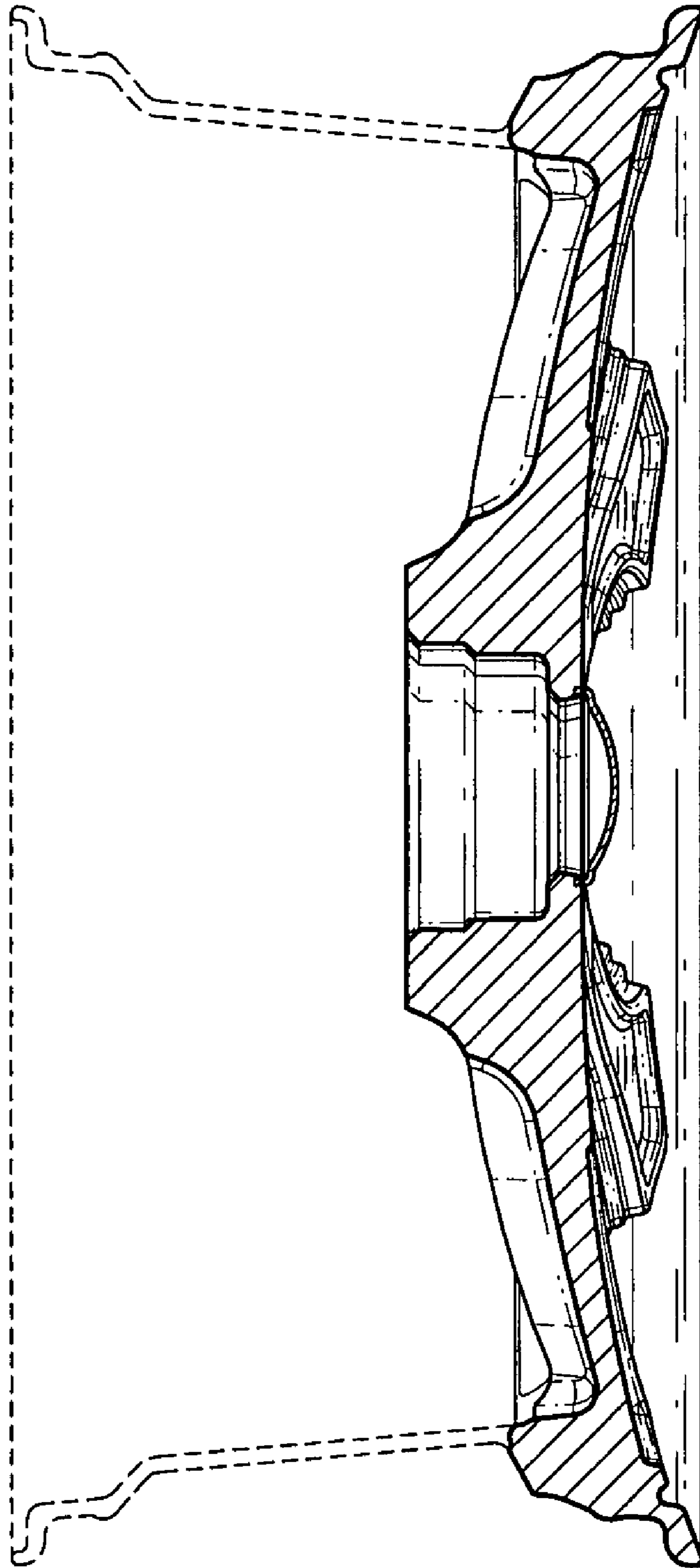


FIG. 6