



US00D553548S

(12) **United States Design Patent**
Douglas

(10) **Patent No.:** **US D553,548 S**

(45) **Date of Patent:** **** Oct. 23, 2007**

(54) **HITCH PLUG**

(76) **Inventor:** **Alfred D. Douglas**, 32726 White Oaks Trail, Beverly Hills, MI (US) 48025

(**) **Term:** **14 Years**

(21) **Appl. No.:** **29/265,392**

(22) **Filed:** **Aug. 30, 2006**

(51) **LOC (8) Cl.** **12-16**

(52) **U.S. Cl.** **D12/194**

(58) **Field of Classification Search** D12/106,
D12/115, 116, 161, 162, 199; 280/402, 403,
280/404, 405.1, 405.2, 407, 407.1, 416.2,
280/455.1, 491.5, 186, 433, 434, 438 R
See application file for complete search history.

(56) **References Cited**

U.S. PATENT DOCUMENTS

D404,349 S *	1/1999	Julian	D12/162
D485,218 S *	1/2004	Bentley	D12/162
D503,663 S *	4/2005	Kolflat	D12/162
D506,711 S *	6/2005	Ruiz et al.	D12/162
D526,603 S *	8/2006	Gates, II	D12/162

OTHER PUBLICATIONS

http://us.st11.yimg.com/us.st.yimg.com/l/trailertoys_1942_125004424/17/2007.*

* cited by examiner

Primary Examiner—Doris Clark

Assistant Examiner—Michael A. Pratt

(74) *Attorney, Agent, or Firm*—Reising, Ethington, Barnes, Kisselle P.C.

(57) **CLAIM**

The ornamental design for a hitch plug, as shown and described.

DESCRIPTION

FIG. 1 is a top perspective view of a hitch plug showing my design;

FIG. 2 is a front plan view thereof;

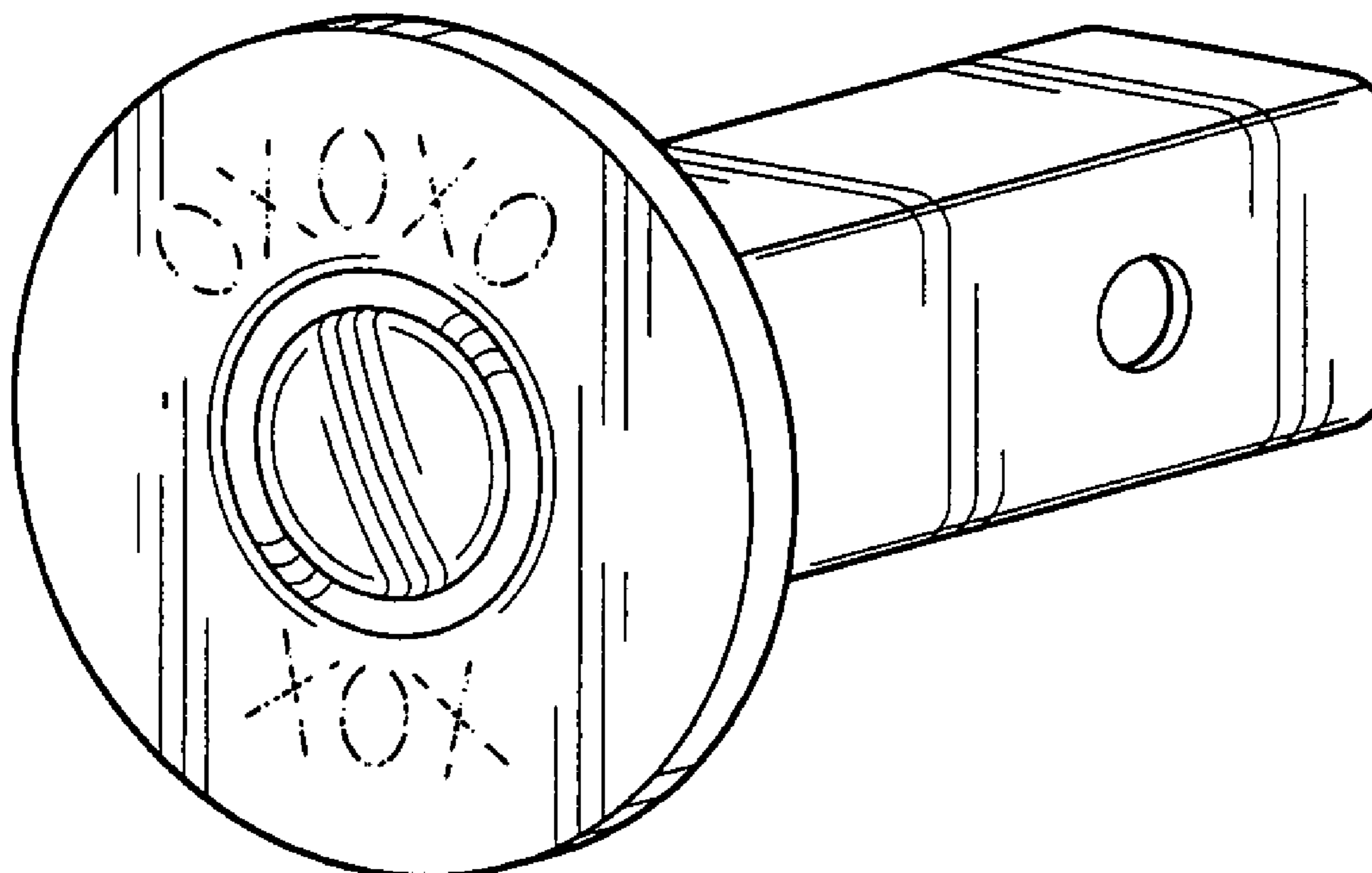
FIG. 3 is a side elevational view thereof; the other sides being the same as the side shown;

FIG. 4 is a rear plan view thereof; and,

FIG. 5 is a cross-sectional side elevational view thereof taken along line 5—5 shown in FIG. 2.

The Os and Xs shown in phantom in FIG. 1 are for illustration purposes only and form no part of the invention.

1 Claim, 1 Drawing Sheet



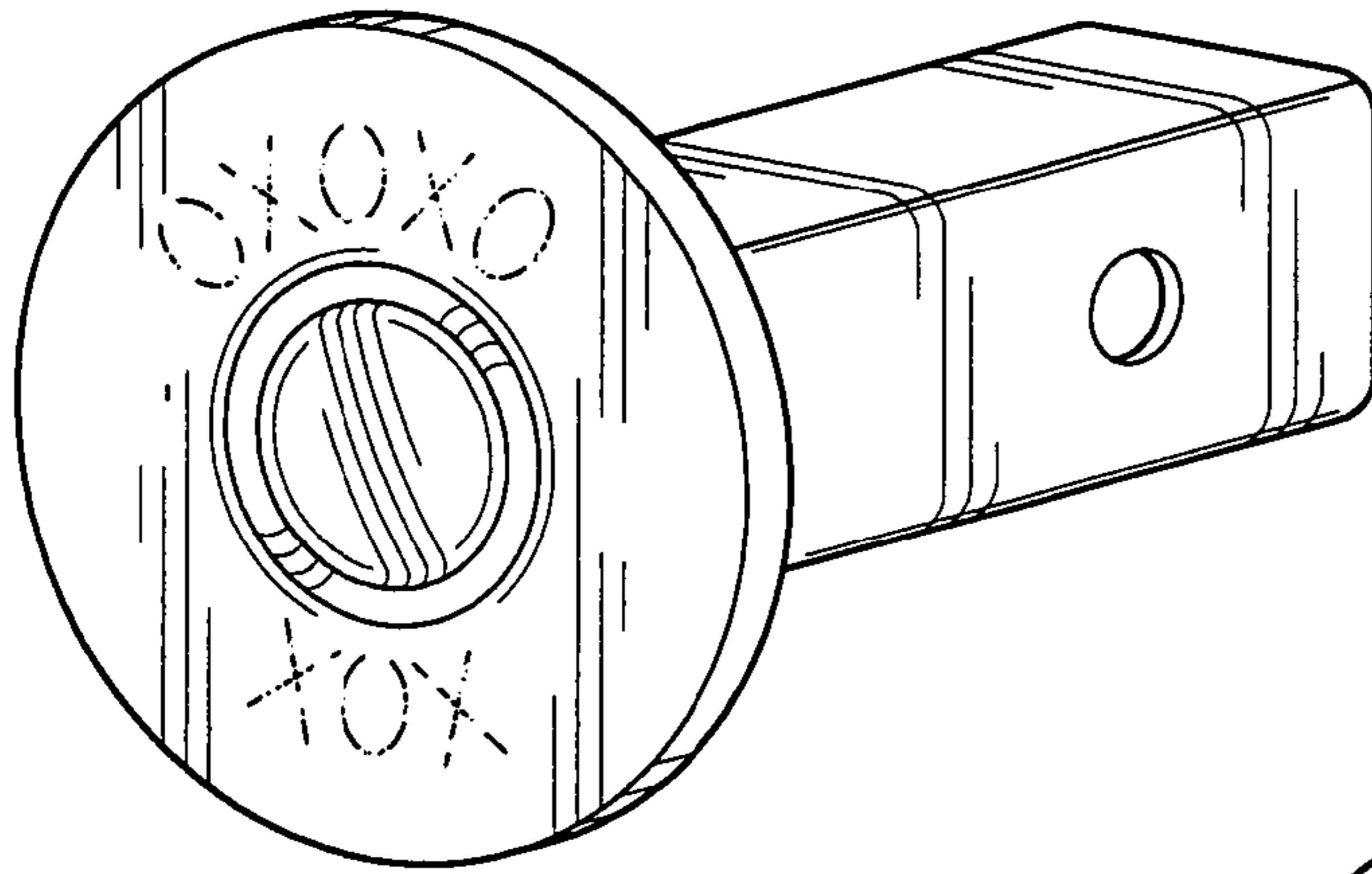


Fig-1

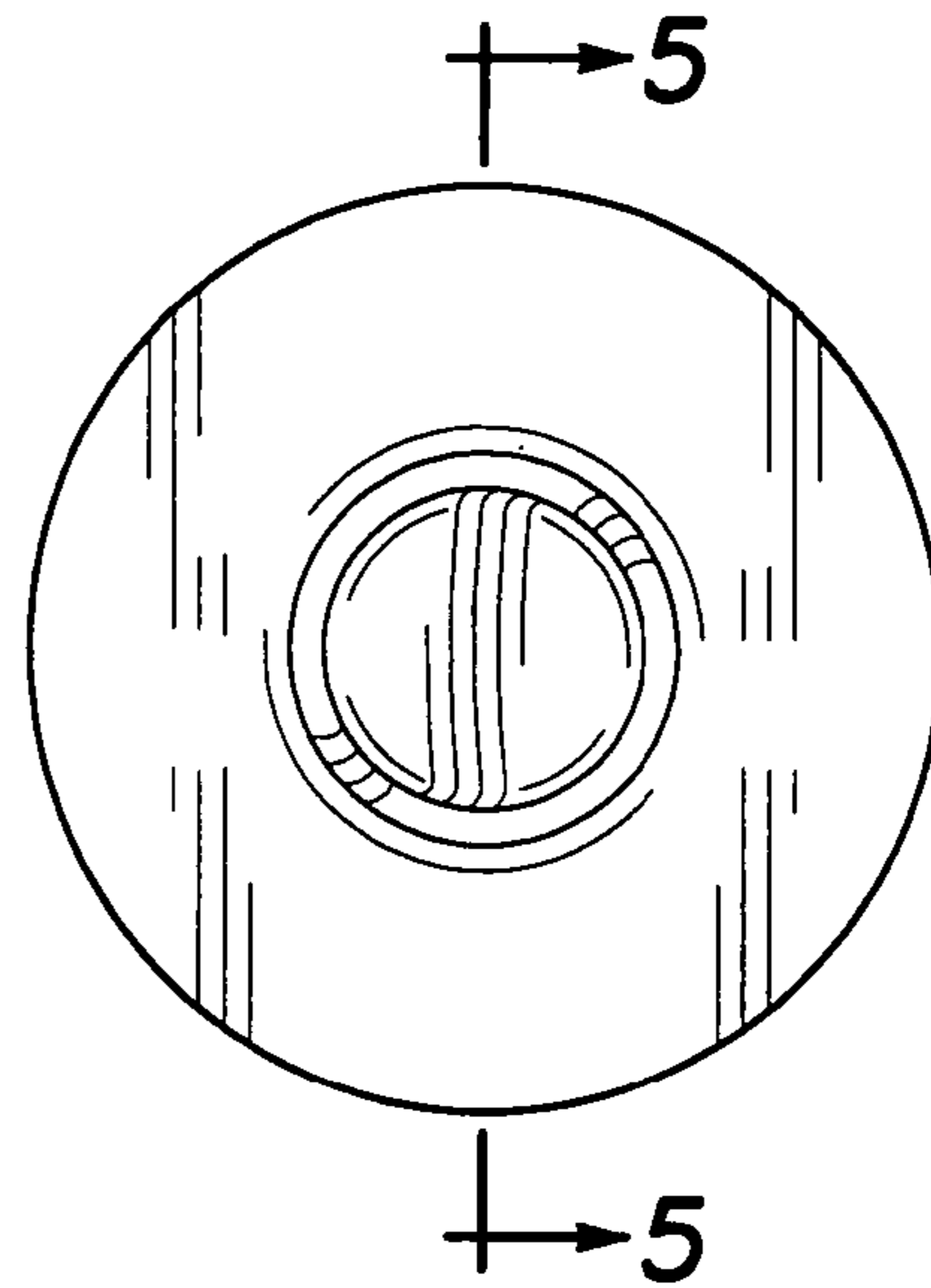


Fig-2

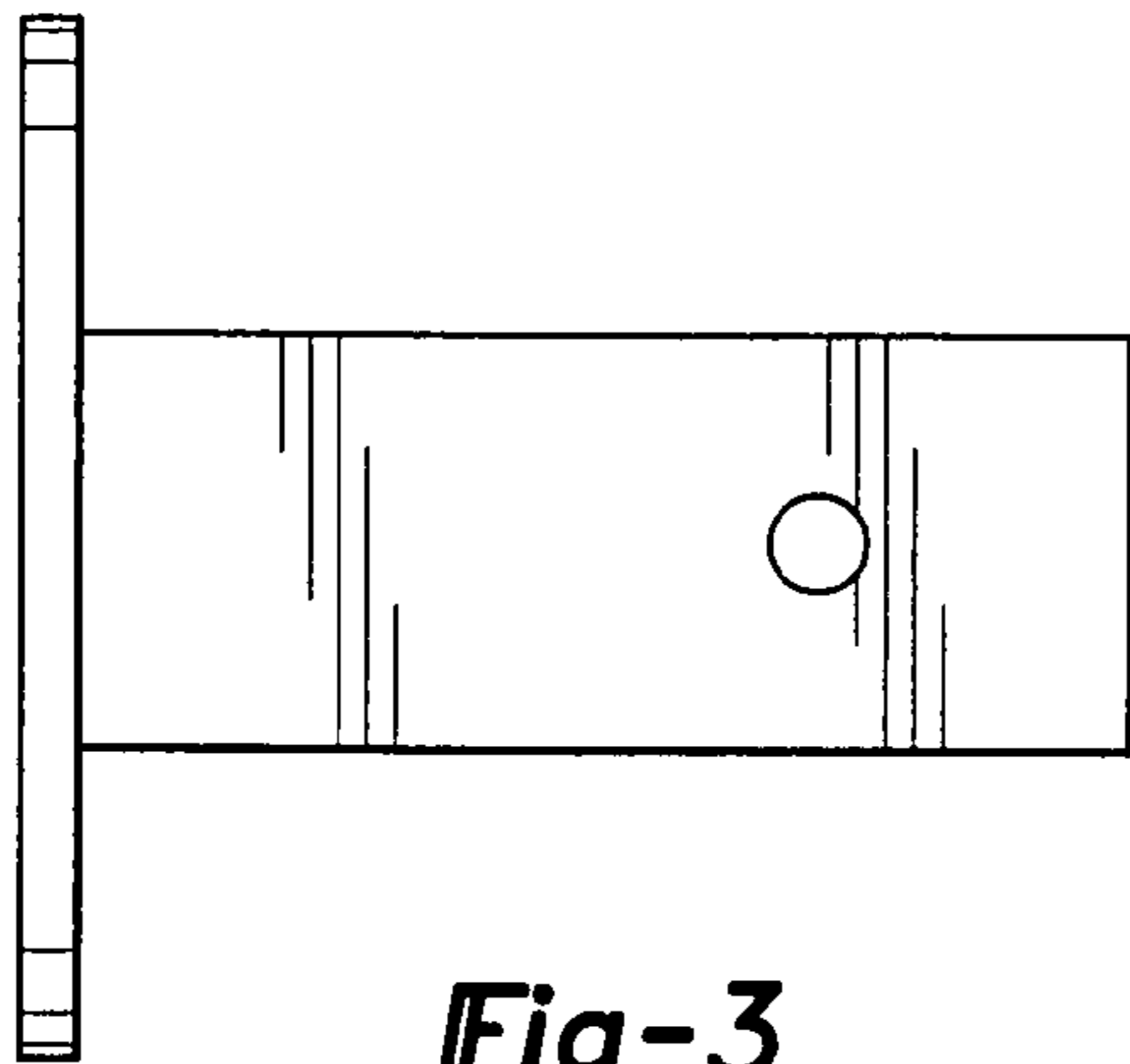


Fig-3

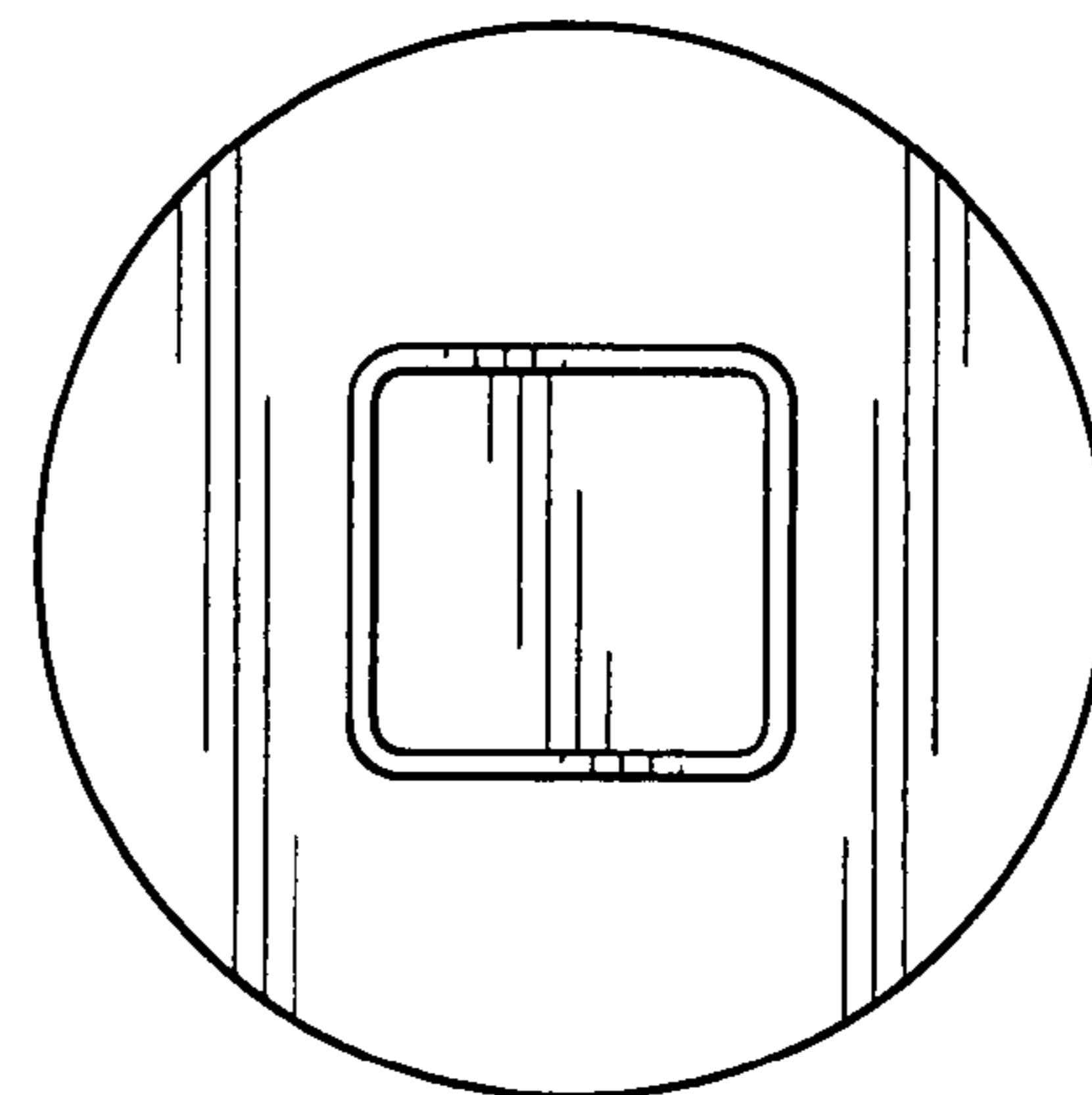


Fig-4

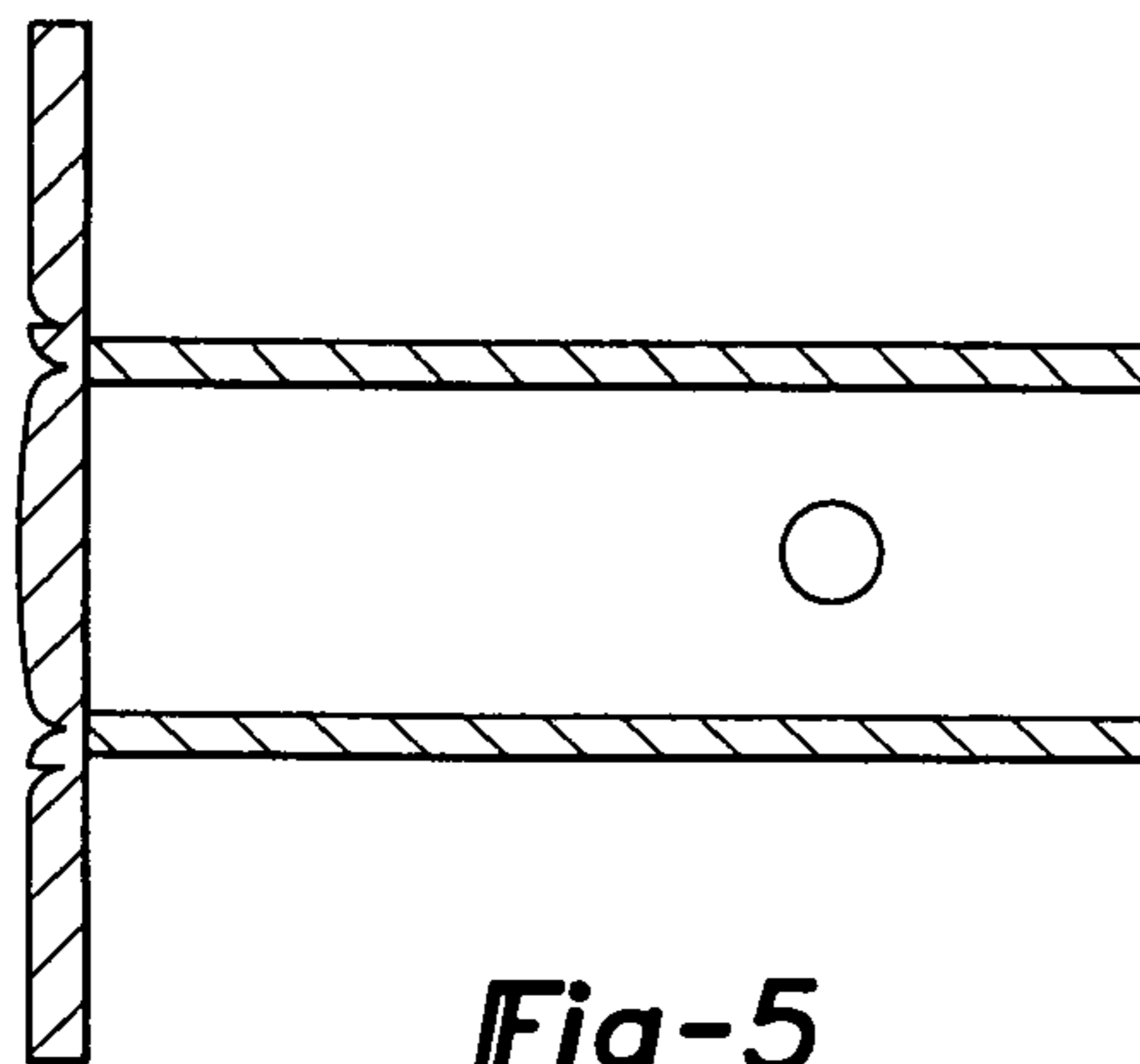


Fig-5