



US00D553547S

(12) **United States Design Patent**
Konaka

(10) **Patent No.:** **US D553,547 S**

(45) **Date of Patent:** **** Oct. 23, 2007**

(54) **DOOR MIRROR FOR AN AUTOMOBILE**

(75) Inventor: **Manabu Konaka**, Wako (JP)

(73) Assignee: **Honda Motor Co., Ltd.**, Tokyo (JP)

(**) Term: **14 Years**

(21) Appl. No.: **29/234,361**

(22) Filed: **Jul. 18, 2005**

(30) **Foreign Application Priority Data**

Jan. 19, 2005 (JP) 2005-001147

(51) **LOC (8) Cl.** **12-16**

(52) **U.S. Cl.** **D12/187**

(58) **Field of Classification Search** D12/187-189;
359/838-851, 855-868, 871-881; 248/475.1,
248/476, 480-481, 485-487; 296/101.1
See application file for complete search history.

(56) **References Cited**

U.S. PATENT DOCUMENTS

D372,450 S * 8/1996 Santo D12/187

D430,839 S * 9/2000 Goplen D12/187

D455,690 S * 4/2002 Lee D12/187

D493,755 S * 8/2004 Kneefel et al. D12/187

D500,273 S * 12/2004 Otto et al. D12/187

* cited by examiner

Primary Examiner—Stacia Cadmus

(74) *Attorney, Agent, or Firm*—Westerman, Hattori, Daniels & Adrian, LLP.

(57) **CLAIM**

The ornamental design for, a door mirror for an automobile, as shown and described.

DESCRIPTION

FIG. 1 is a front elevation view of a door mirror for an automobile, showing our new design;

FIG. 2 is a top plan view thereof;

FIG. 3 is a right side elevation view thereof;

FIG. 4 is a rear elevation view thereof; and,

FIG. 5 is a perspective view thereof.

The broken lines in the drawings are illustrative purposes only and form no part of the claimed design.

1 Claim, 5 Drawing Sheets

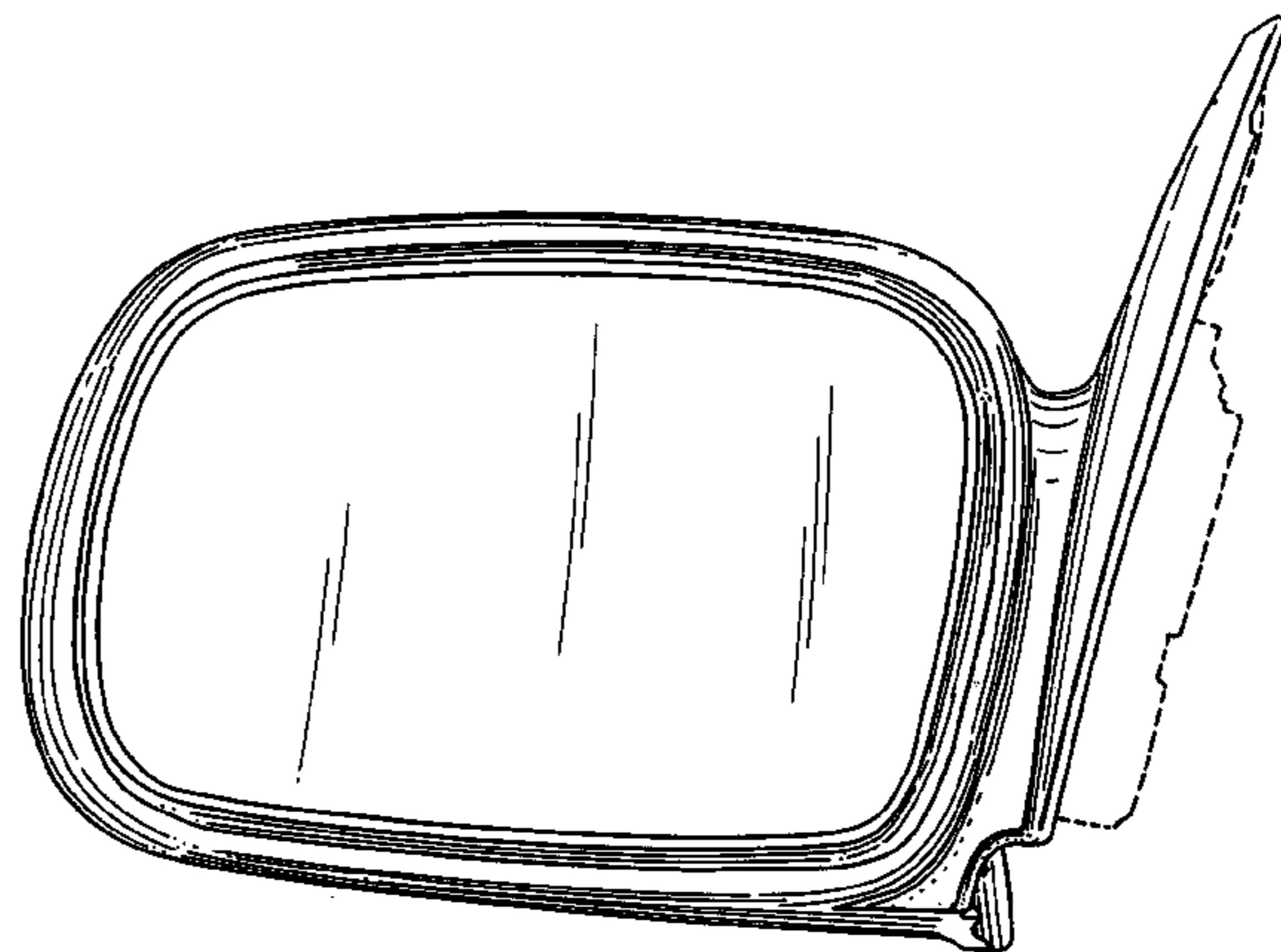
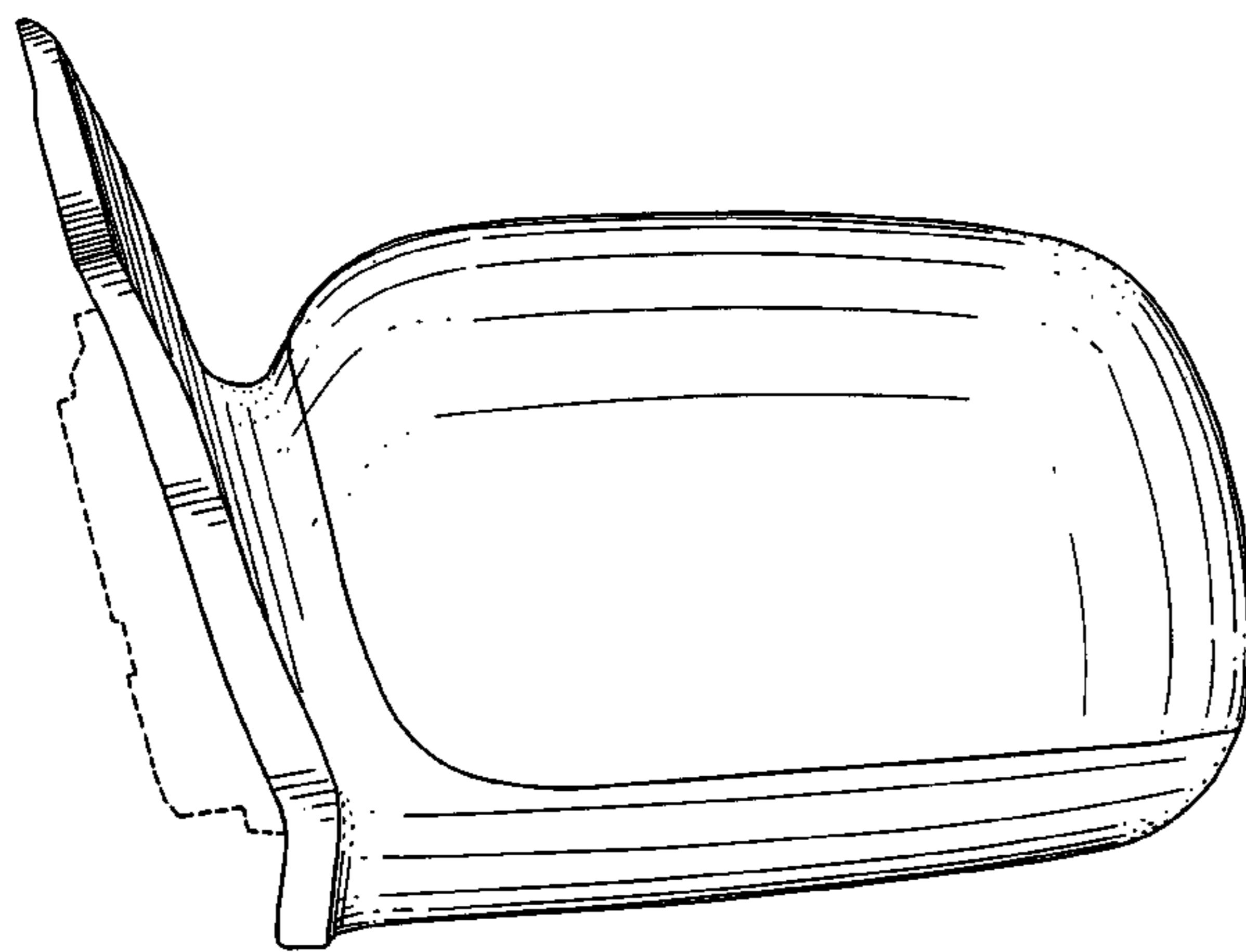


FIG. 1

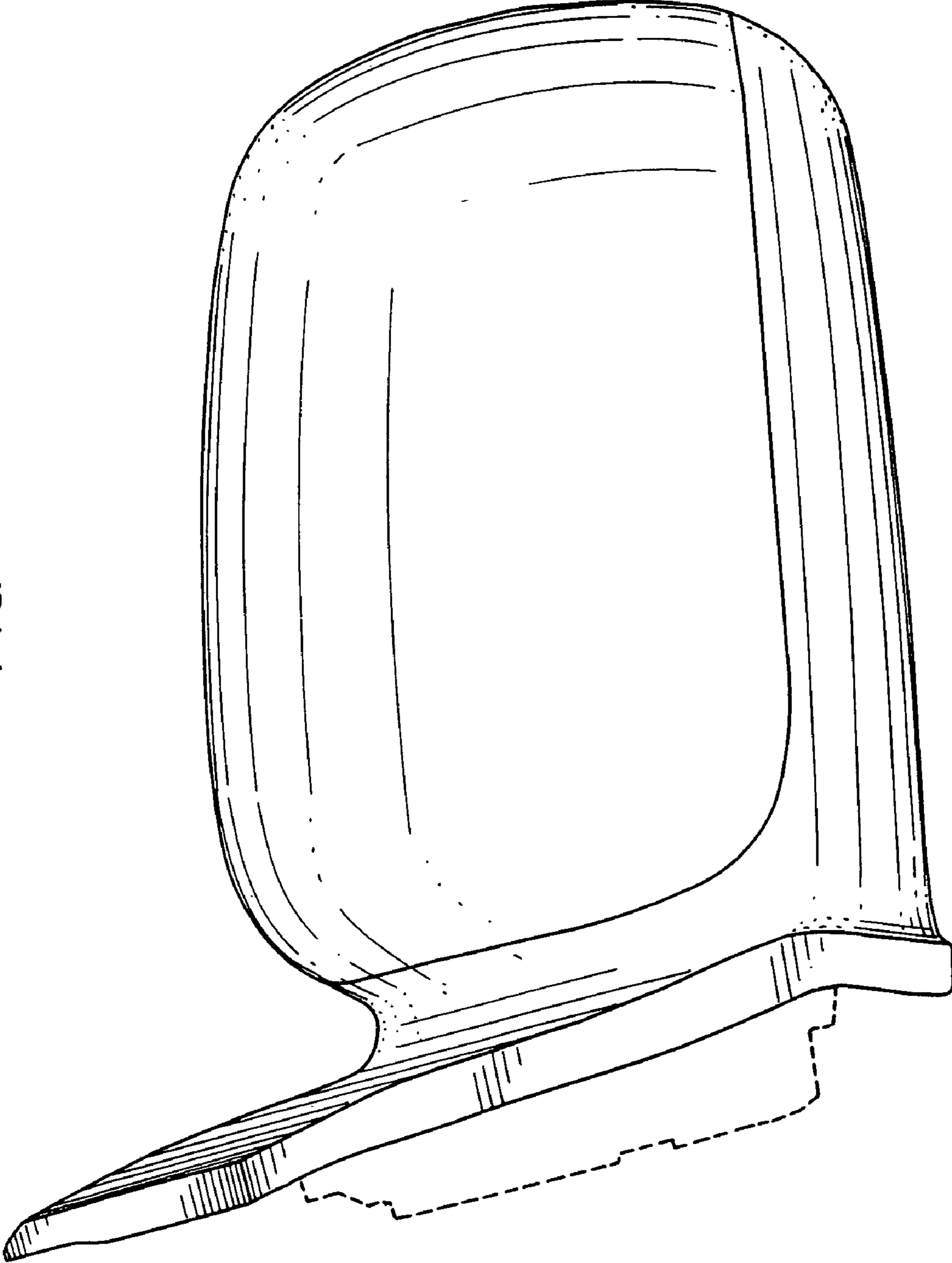


FIG. 2

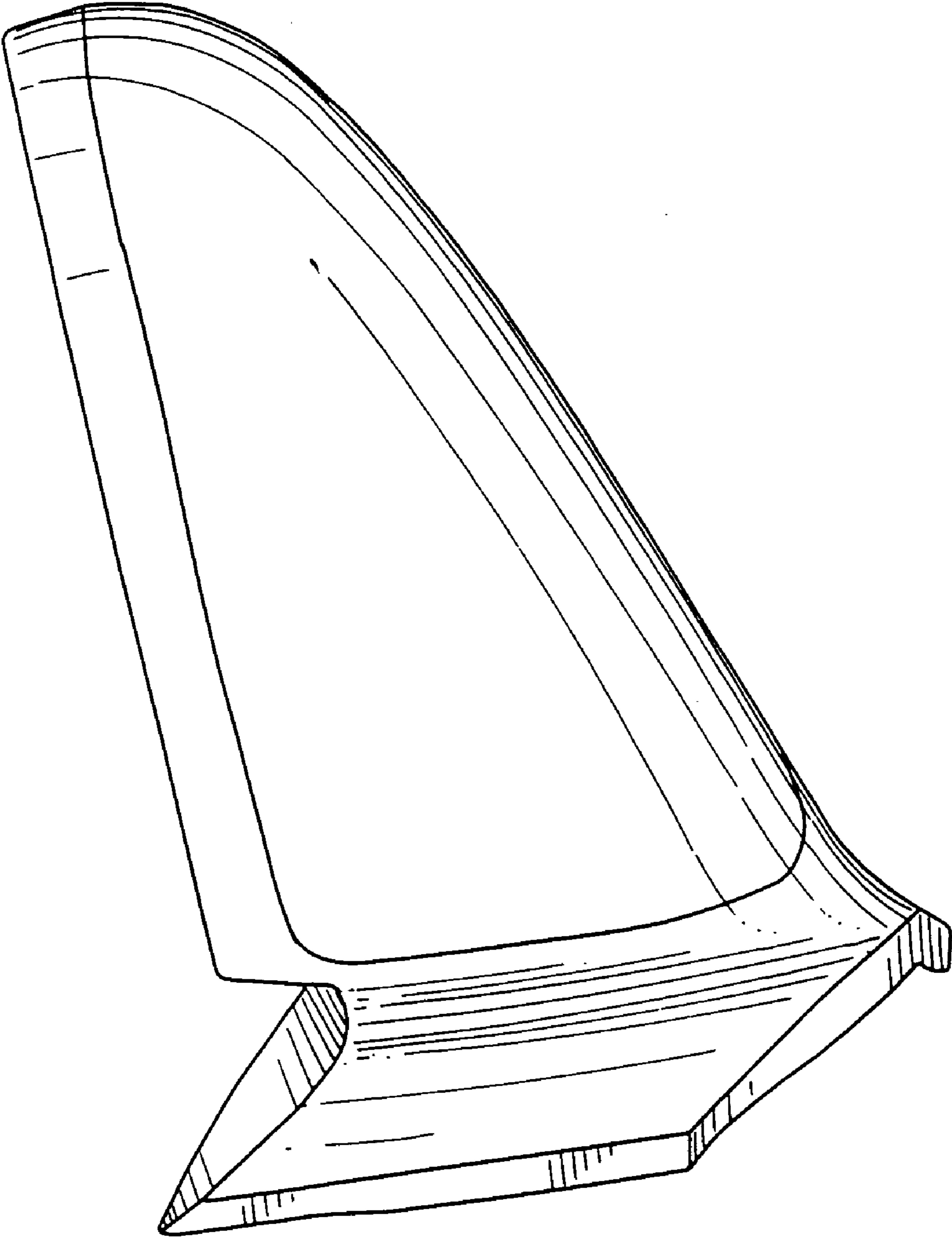


FIG. 3

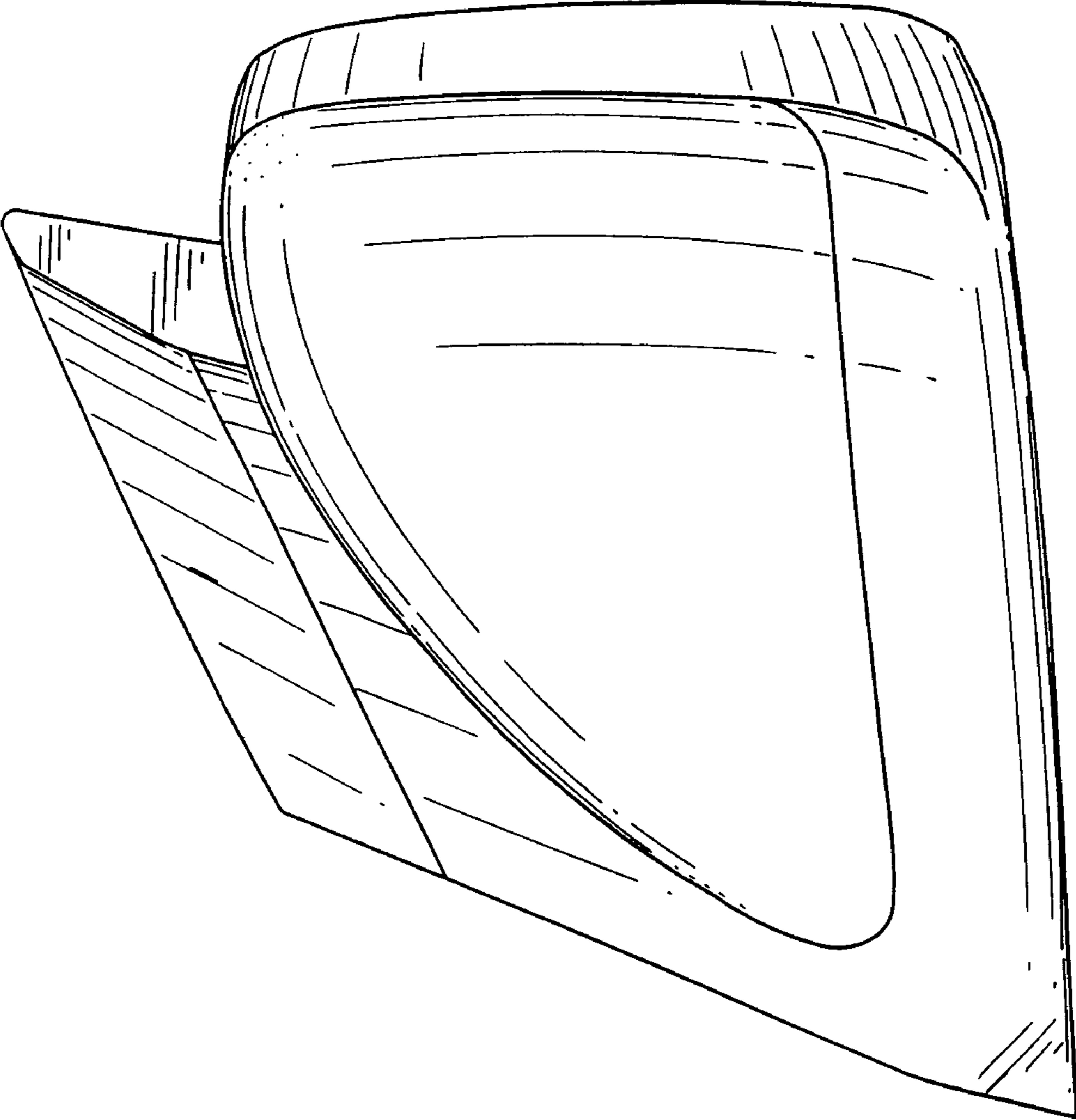


FIG. 4

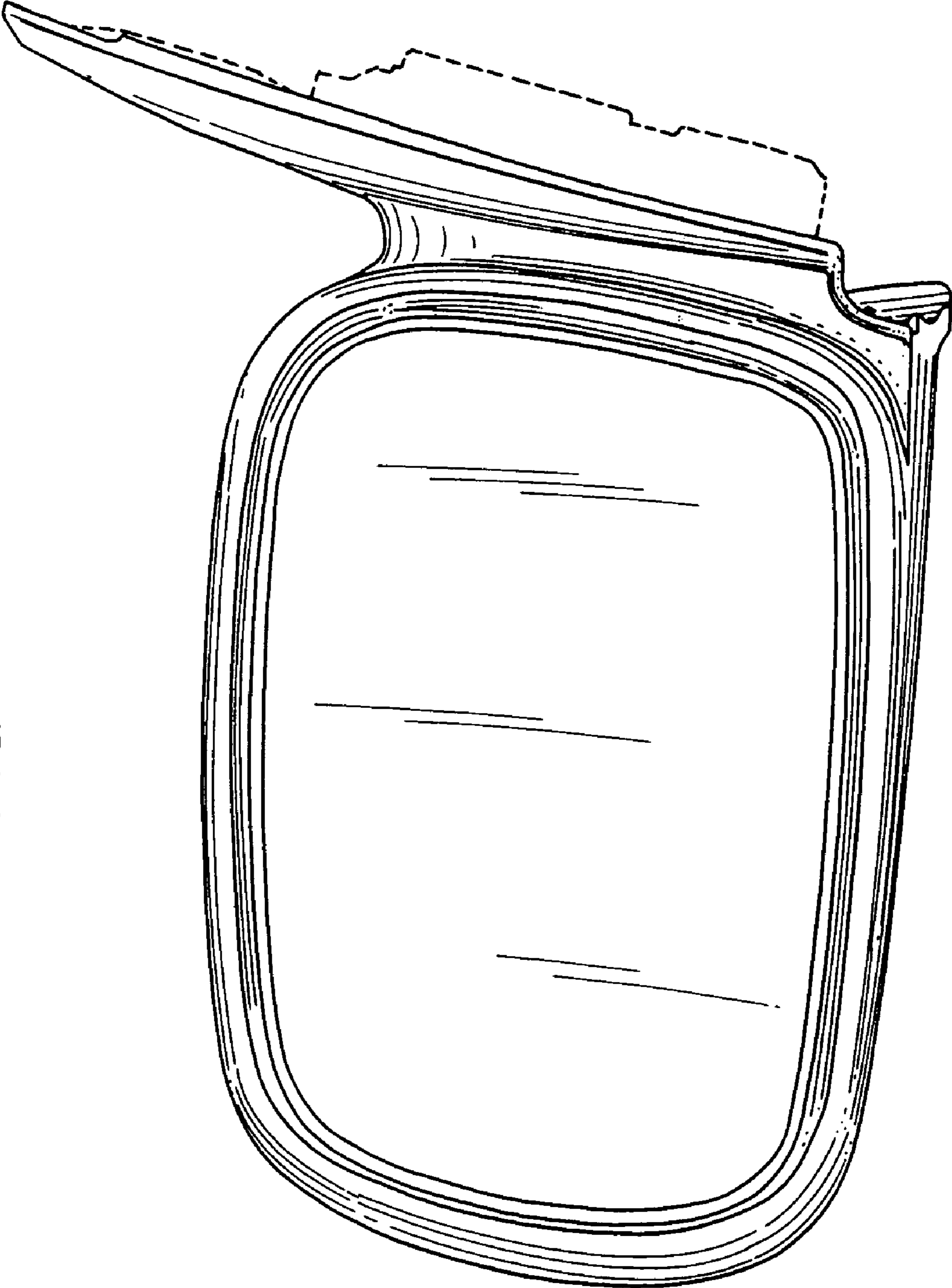


FIG. 5

