



US00D553546S

(12) **United States Design Patent**  
**Tseng**

(10) **Patent No.:** **US D553,546 S**

(45) **Date of Patent:** **\*\* Oct. 23, 2007**

(54) **PROTECTIVE COVER FOR REARVIEW MIRROR**

(76) Inventor: **Milo Tseng**, No. 12, Hwangong Rd., Yungkang City, Tainan Hsien (TW)

(\*\*) Term: **14 Years**

(21) Appl. No.: **29/224,739**

(22) Filed: **Mar. 7, 2005**

(51) **LOC (8) Cl.** ..... **12-16**

(52) **U.S. Cl.** ..... **D12/187**

(58) **Field of Classification Search** ..... D12/187-189, D12/223; 359/838-851, 855, 868, 871, 881; 248/475.1, 479, 476, 478, 480-481, 485-487; D3/299-300; D26/138, 113

See application file for complete search history.

(56) **References Cited**

**U.S. PATENT DOCUMENTS**

D266,602 S *	10/1982	Suzuki	.....	D26/113
4,485,430 A *	11/1984	Achiaga Fustel	.....	362/505
4,907,871 A *	3/1990	Hou	.....	359/841
D314,636 S *	2/1991	Iacovelli	.....	D26/138
4,998,812 A *	3/1991	Hou	.....	359/841
D343,820 S *	2/1994	Borello	.....	D12/187
D375,711 S *	11/1996	Thompson et al.	.....	D12/187

\* cited by examiner

*Primary Examiner*—Stacia Cadmus

(74) *Attorney, Agent, or Firm*—Alan Kamrath; Kamrath & Associates PA

(57) **CLAIM**

The ornamental design for a protective cover for a rearview mirror, as shown and described.

**DESCRIPTION**

FIG. 1 is a perspective view of a protective cover for a rearview mirror showing my design;

FIG. 2 is a front elevational view thereof;

FIG. 3 is a rear elevational view thereof;

FIG. 4 is a left elevational view thereof;

FIG. 5 is a right elevational view thereof;

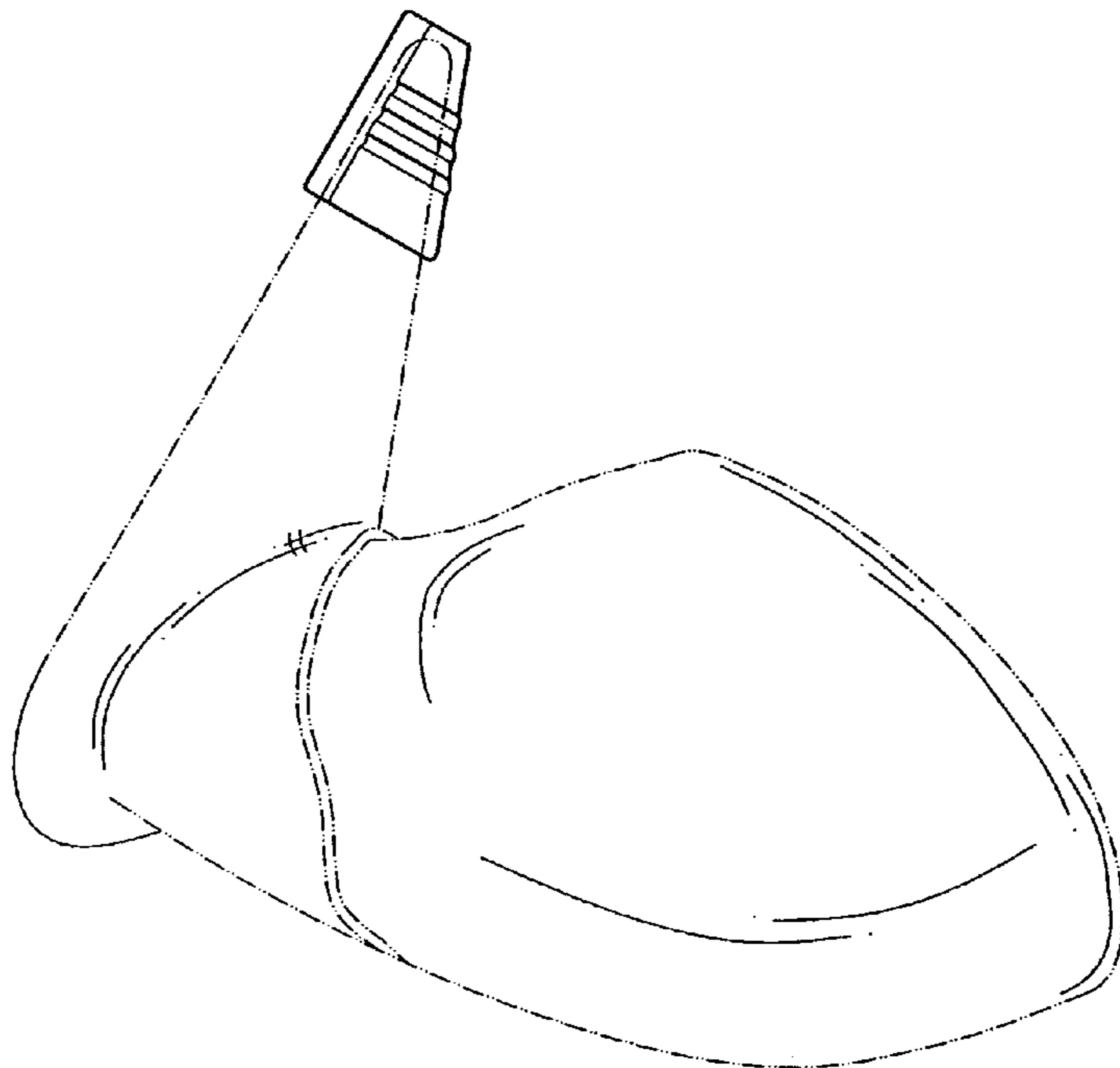
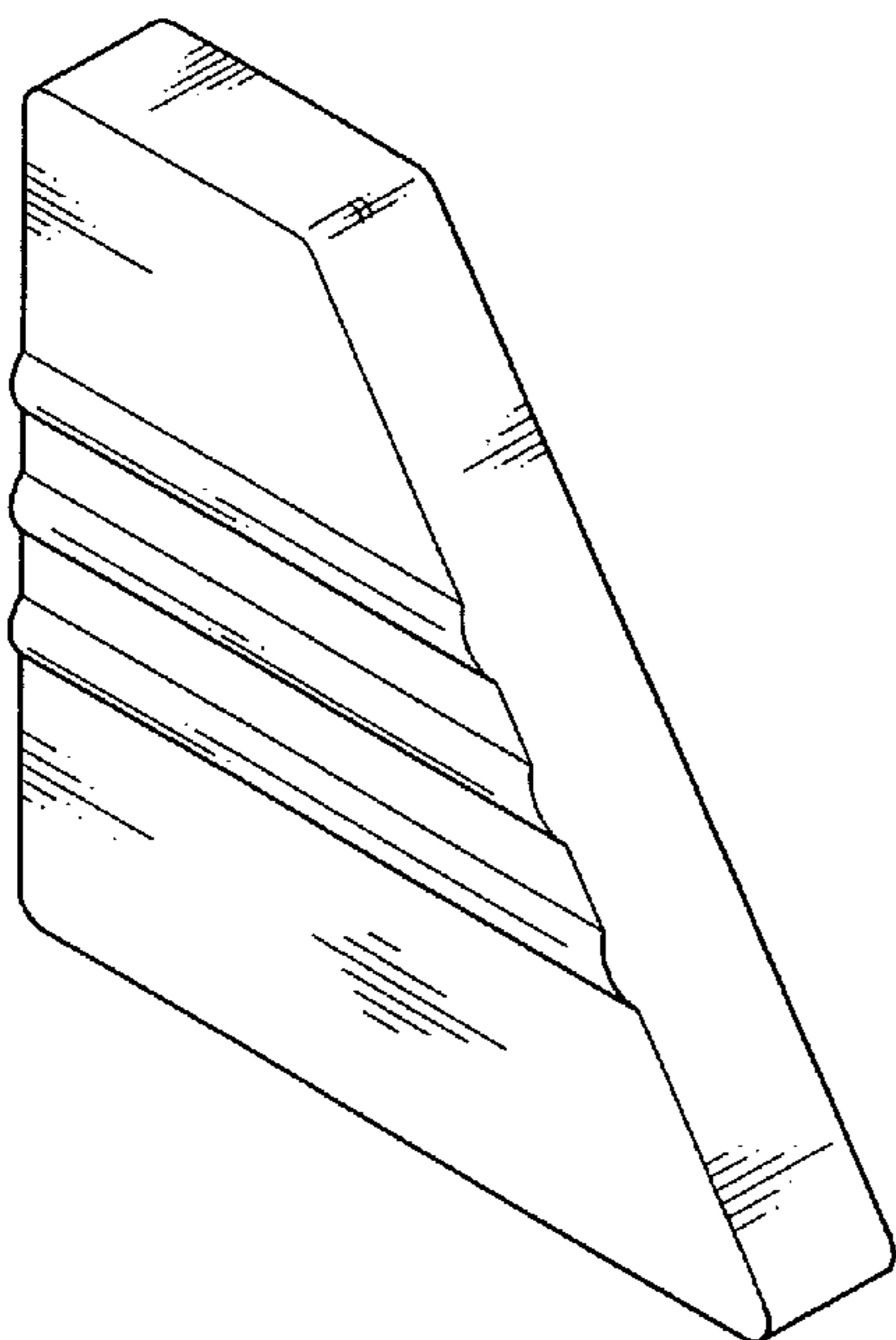
FIG. 6 is a top plan view thereof;

FIG. 7 is a bottom plan view thereof; and,

FIG. 8 is a perspective view illustrating use of the protective cover for a rearview mirror, the phantom lines being for illustrative purposes only and forming no part of the claimed design.

The protective cover for rearview mirror is shown on a reduced scale in FIG. 8.

**1 Claim, 8 Drawing Sheets**



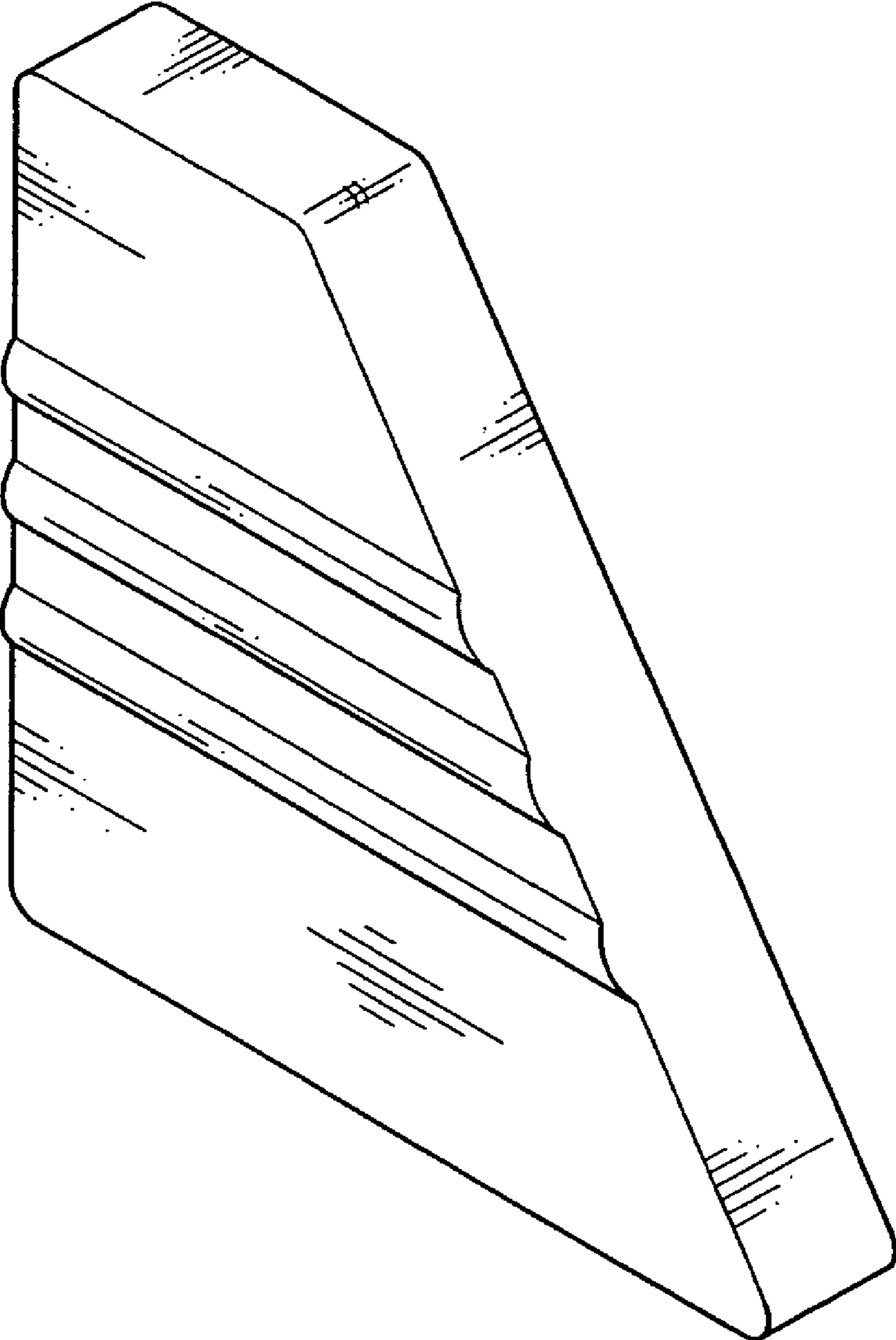


FIG . 1

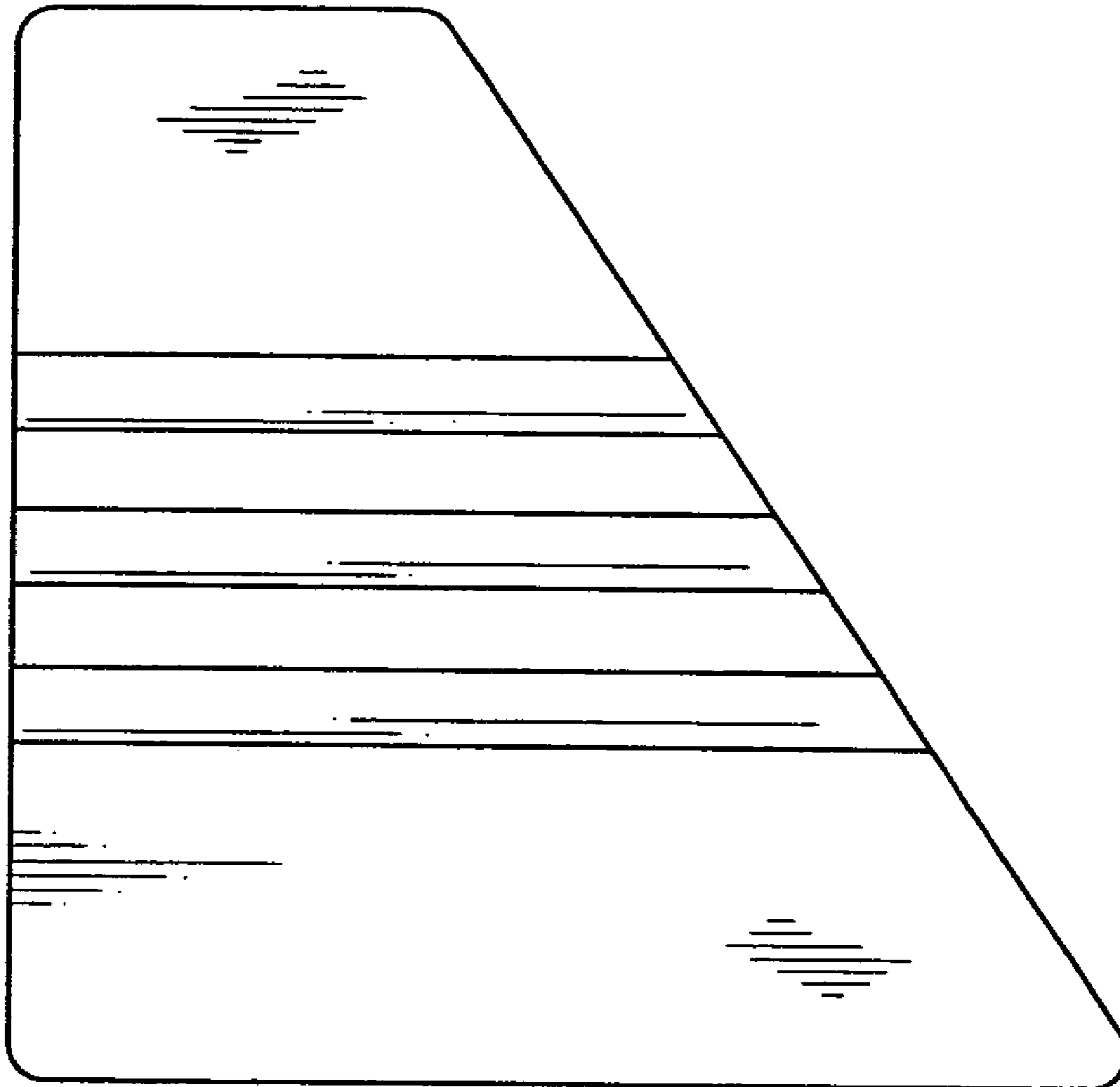


FIG . 2

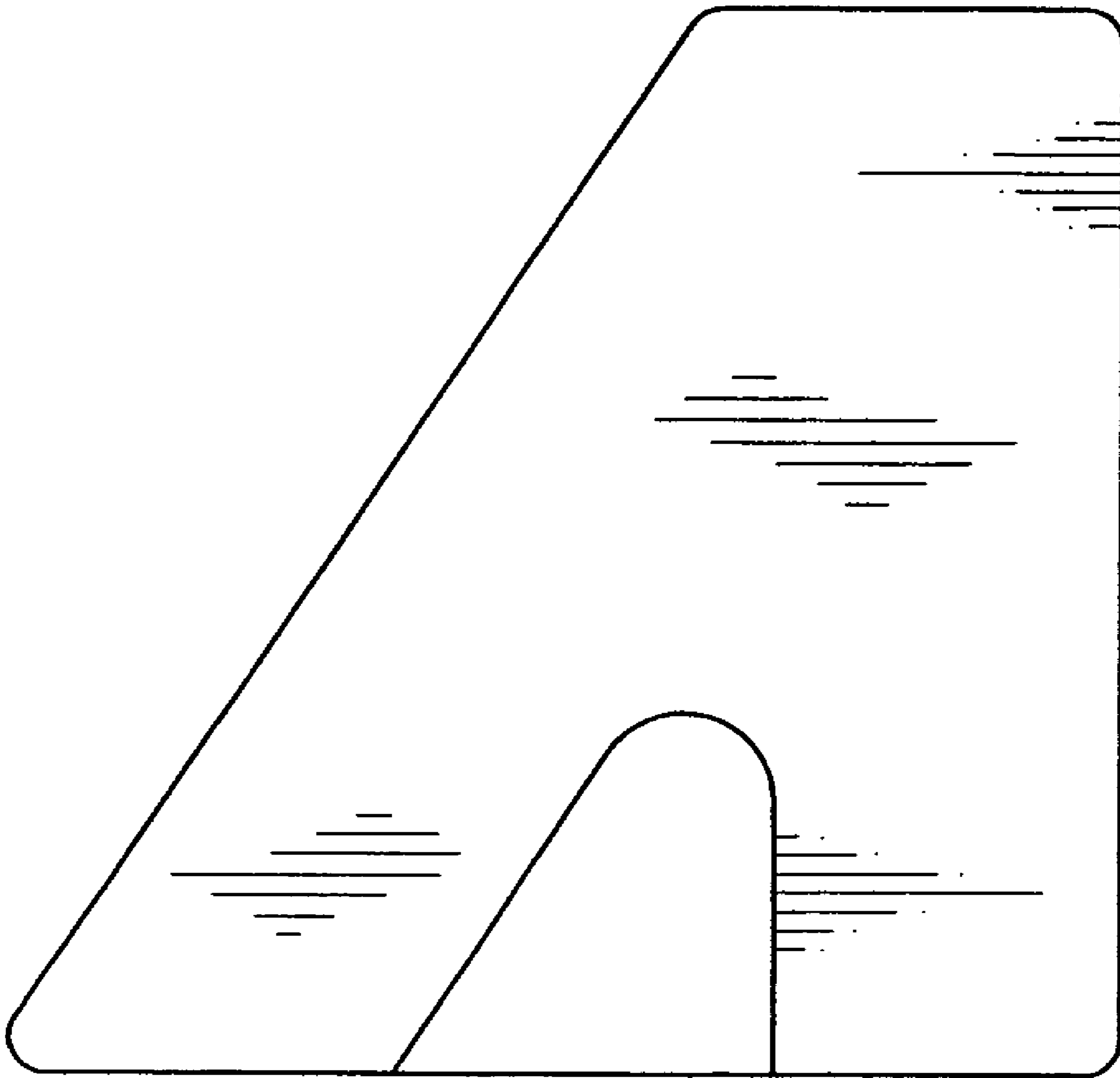
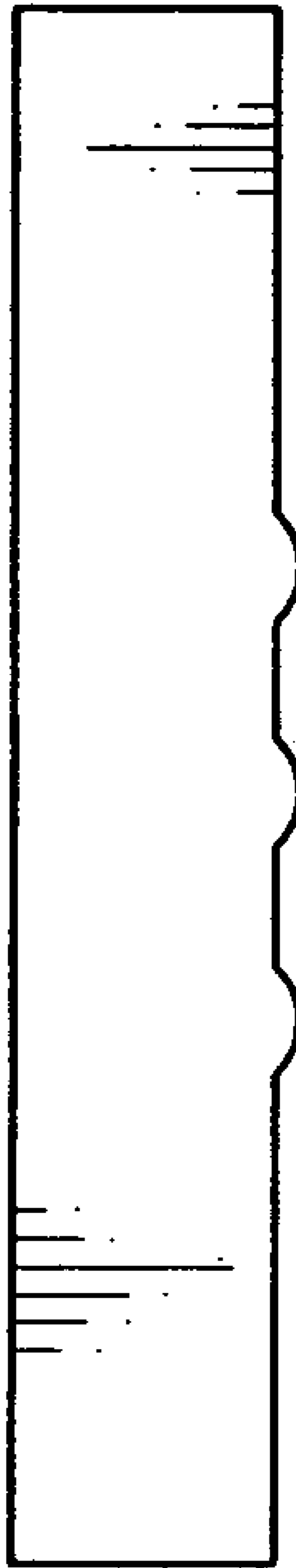
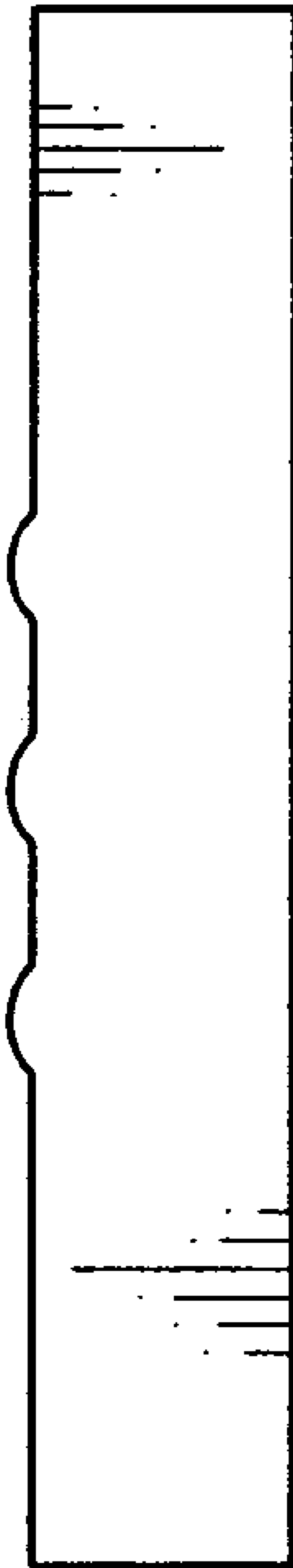


FIG . 3



**FIG . 4**



**FIG . 5**



**FIG . 6**

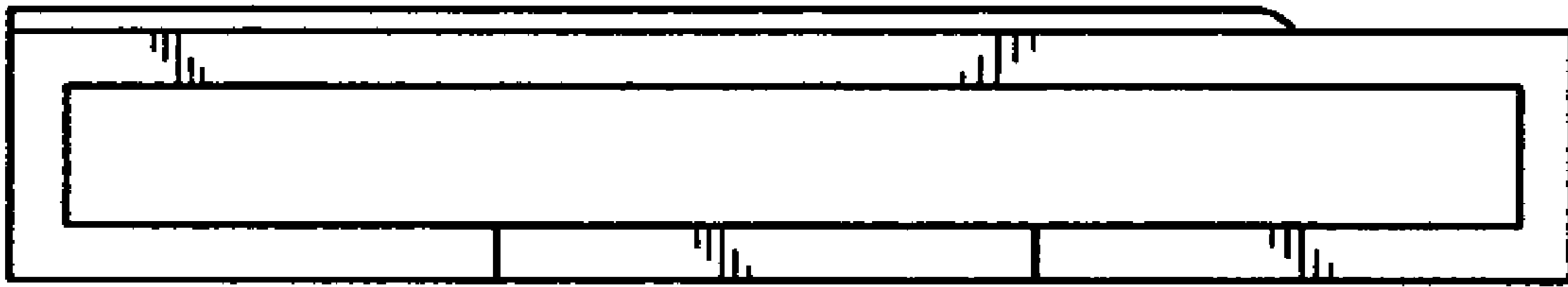


FIG . 7



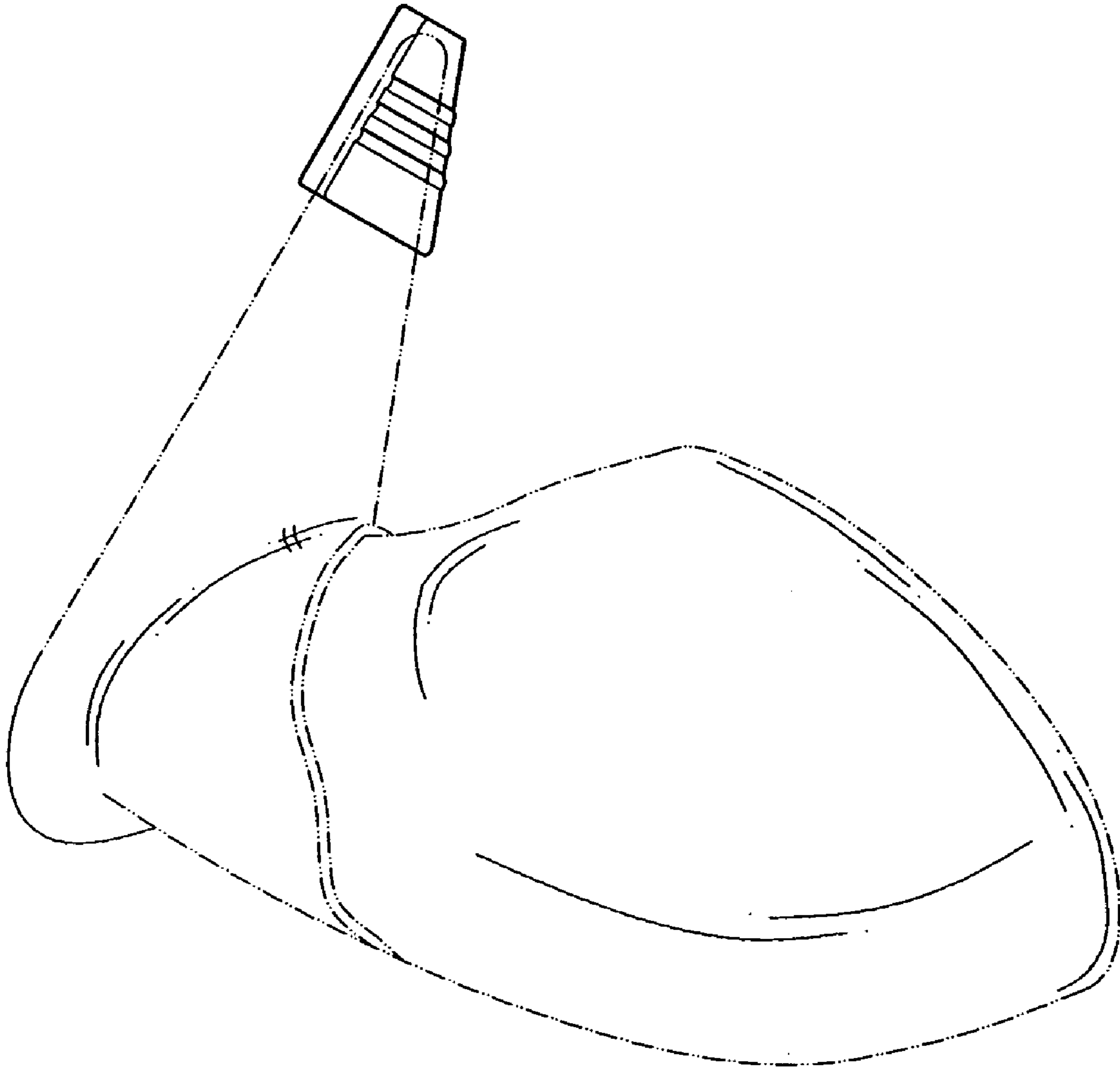


FIG . 8