



US00D553531S

(12) **United States Design Patent**
Enersen

(10) **Patent No.:** **US D553,531 S**

(45) **Date of Patent:** **** Oct. 23, 2007**

(54) **ESCAPE ROUTE MARKER**

(75) Inventor: **Rolf Enersen**, Eidvangveien 6, 2080
Eldsvoll (NO)

(73) Assignee: **Rolf Enersen**, Eldsvoll (NO)

(**) Term: **14 Years**

(21) Appl. No.: **29/232,393**

(22) Filed: **Jun. 17, 2005**

(51) **LOC (8) Cl.** **10-05**

(52) **U.S. Cl.** **D10/113**

(58) **Field of Classification Search** D10/104-121;
D25/125, 121, 164, 119; 404/12-16; 340/908
See application file for complete search history.

(56) **References Cited**

U.S. PATENT DOCUMENTS

D259,143 S *	5/1981	Aktinson	D25/119
D289,202 S *	4/1987	Hardy	D25/119
D301,623 S *	6/1989	Grosjean	D25/119
D304,086 S *	10/1989	Eads	D8/1
D331,631 S *	12/1992	Leith	D25/119
D338,536 S *	8/1993	Gifford, Sr.	D25/119
5,327,850 A *	7/1994	Sly et al.	116/63 P
D355,264 S *	2/1995	Stoler	D25/125
5,392,728 A *	2/1995	Speer et al.	116/63 R
D360,601 S *	7/1995	Weid	D10/113
5,515,807 A *	5/1996	Speer et al.	116/63 R
D382,826 S *	8/1997	Sakko	D10/113

D385,809 S *	11/1997	Chen	D10/113
D386,706 S *	11/1997	Khieu	D10/113
D392,822 S *	3/1998	Gilmore	D6/513
5,769,563 A *	6/1998	Flynn	404/15
D447,579 S *	9/2001	Lehrkamp	D25/164
D202,720 S *	4/2002	Enersen	D10/113
D462,601 S *	9/2002	Chaney	D8/354
D463,581 S *	9/2002	Mann	D25/164
D479,007 S *	8/2003	Biro	D25/125
D482,980 S *	12/2003	Enersen	D10/113
D524,953 S *	7/2006	Richmond et al.	D25/164

* cited by examiner

Primary Examiner—Robert M. Spear

Assistant Examiner—George D Kirschbaum

(74) *Attorney, Agent, or Firm*—Patterson & Sheridan, LLP

(57) **CLAIM**

The ornamental design for an escape route marker, as shown and described.

DESCRIPTION

FIG. 1 is a top perspective view of the invention.

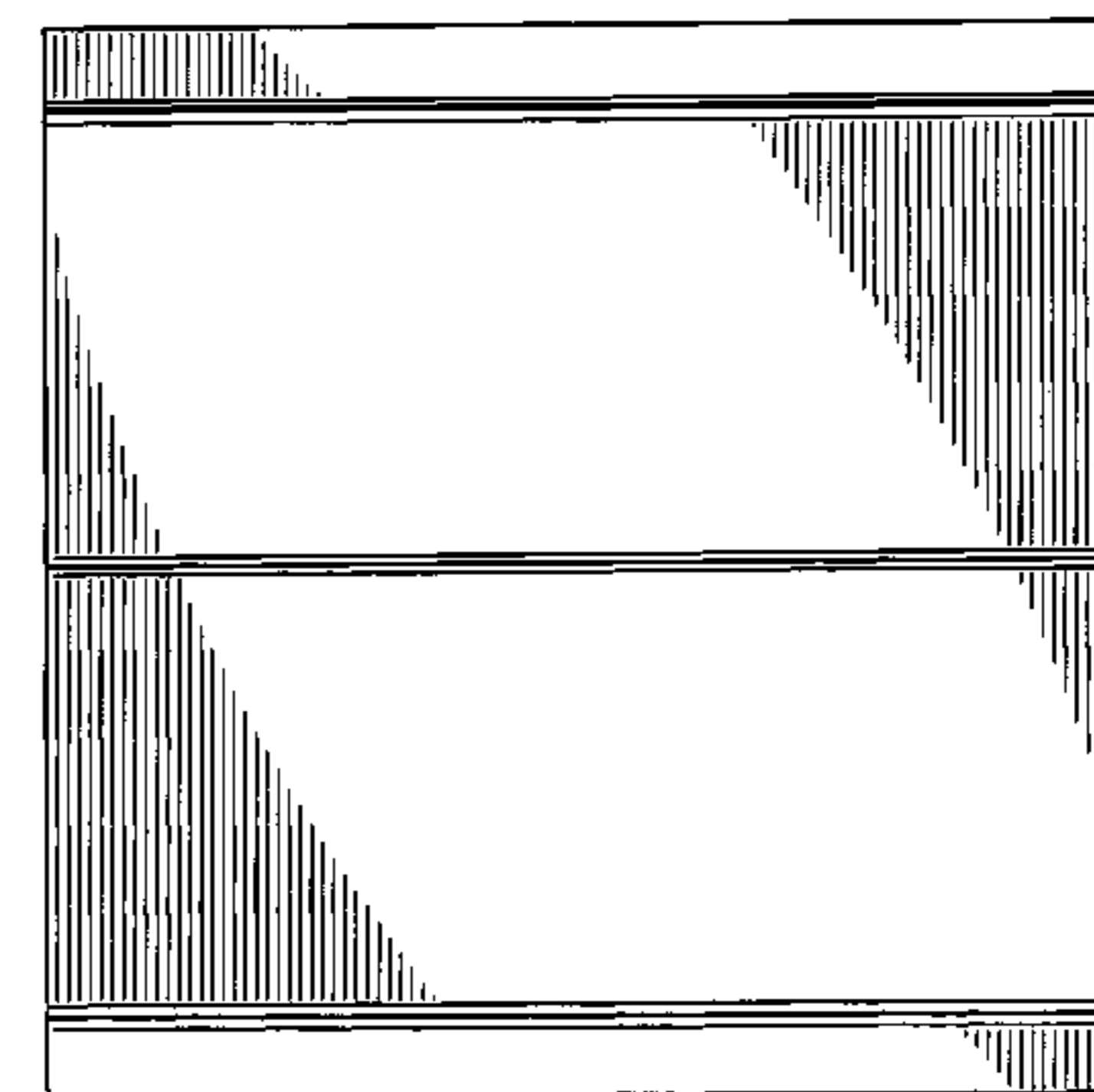
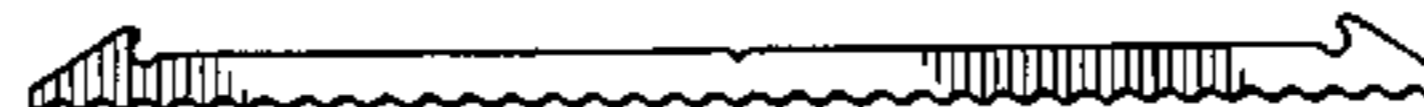
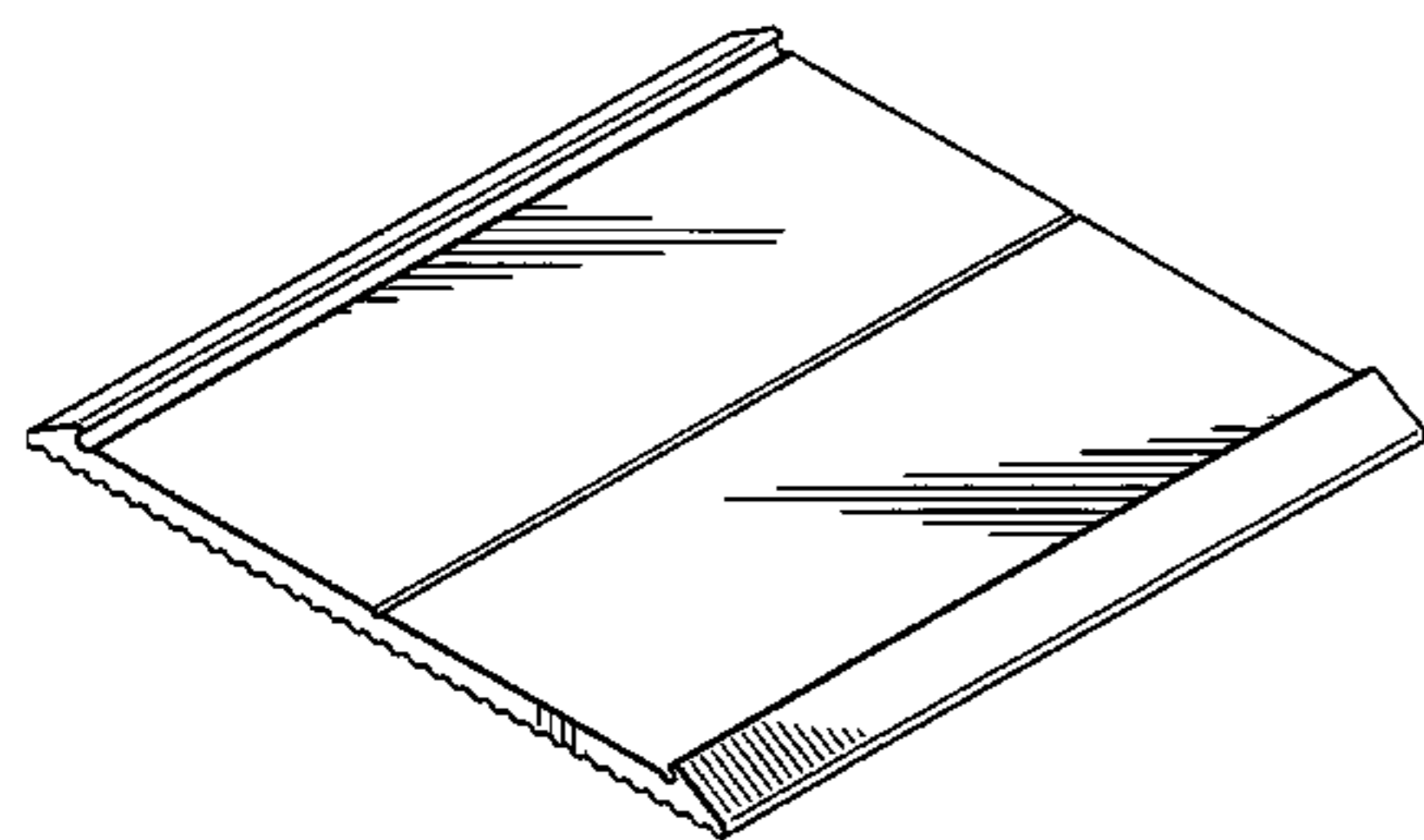
FIG. 2 is a left side view of the invention, the right side view being a mirror image thereof.

FIG. 3 is a top view of the invention.

FIG. 4 is a bottom view of the invention; and,

FIG. 5 is a front view of the invention, the back view being a mirror image thereof.

1 Claim, 3 Drawing Sheets



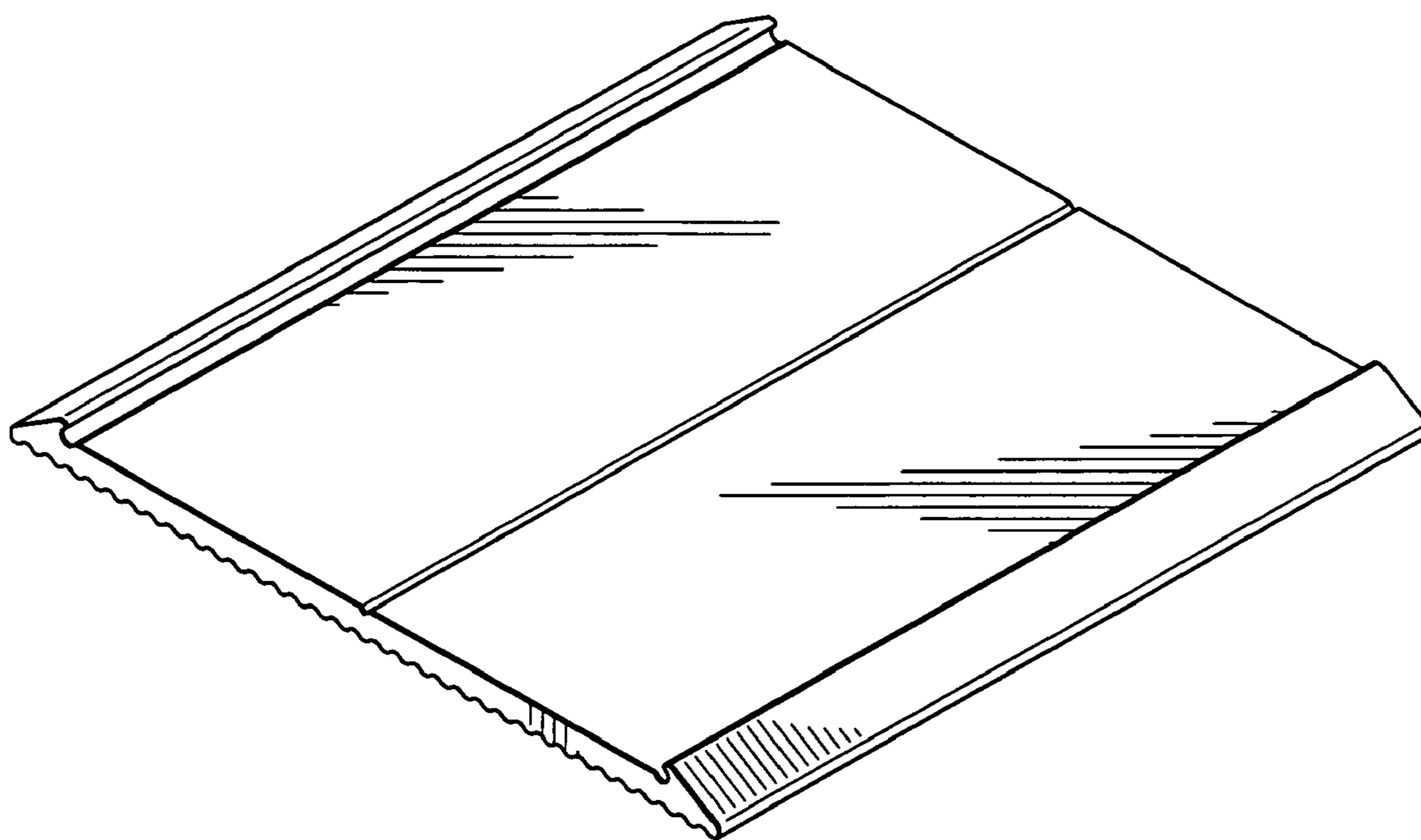


Fig. 1

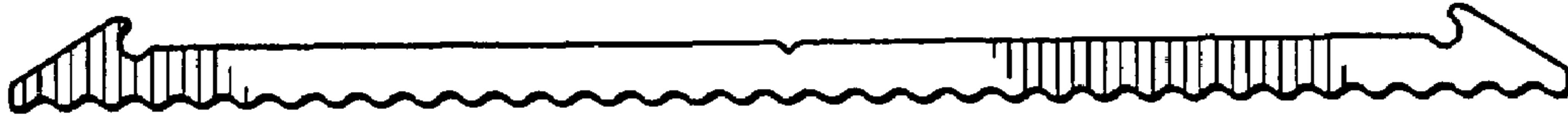


Fig. 2

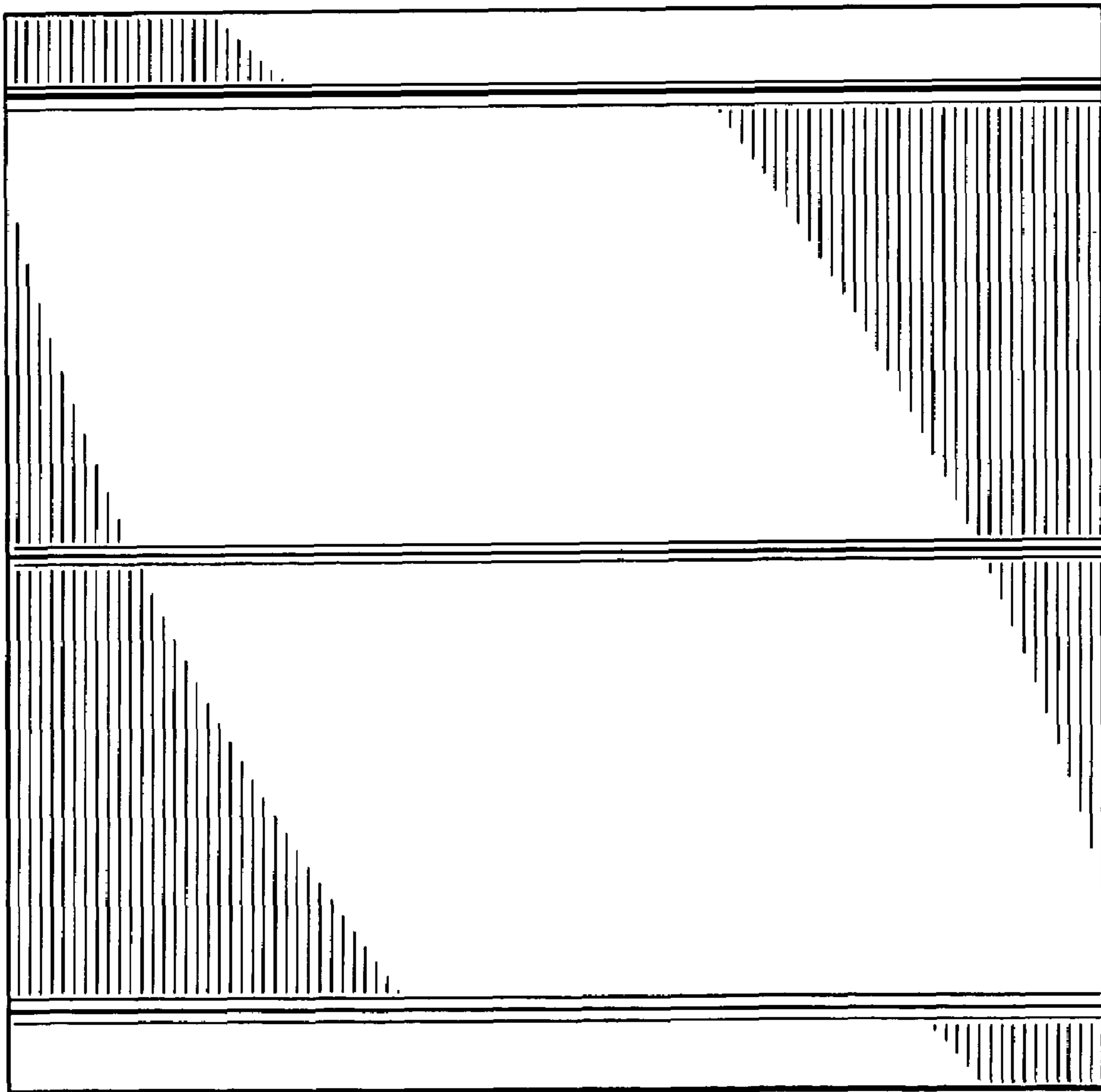


Fig. 3

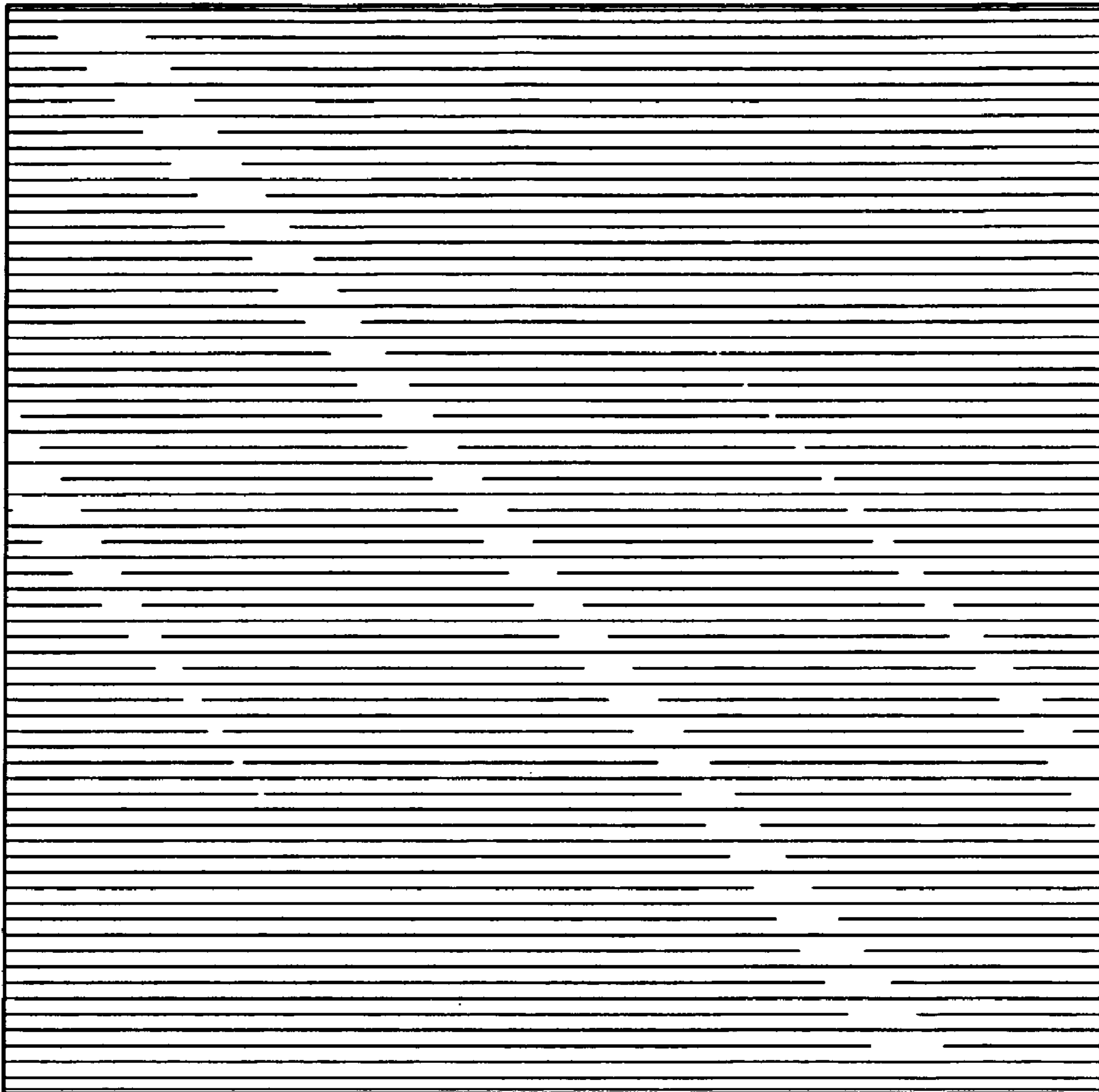


Fig. 4



Fig. 5