



US00D553529S

(12) **United States Design Patent**
Sahibzada et al.

(10) **Patent No.:** **US D553,529 S**

(45) **Date of Patent:** **** Oct. 23, 2007**

(54) **DETECTOR FOR DUCT CHANNEL**

(75) Inventors: **Jörgen Sahibzada**, Göteborg (SE); **Stig Redgert**, Göteborg (SE)

(73) Assignee: **Calectro AB**, Vastra Frolunda (SE)

(**) Term: **14 Years**

(21) Appl. No.: **29/234,614**

(22) Filed: **Jul. 21, 2005**

(30) **Foreign Application Priority Data**

Jan. 24, 2005 (EM) 000284450

(51) **LOC (8) Cl.** **10-05**

(52) **U.S. Cl.** **D10/106**

(58) **Field of Classification Search** D10/104-121;
D21/444; 116/5; 340/287, 577, 630, 629,
340/628, 571, 545, 541, 540; 240/577

See application file for complete search history.

(56) **References Cited**

U.S. PATENT DOCUMENTS

D253,400 S	*	11/1979	Vander Wilt	D10/106
D253,525 S	*	11/1979	Wilson	D10/106
D275,187 S	*	8/1984	Skarman	D10/106
D279,769 S	*	7/1985	Thornton et al.	D10/106
D283,407 S	*	4/1986	Fenne	D10/106
D314,719 S	*	2/1991	Gardner	D10/106
D368,041 S	*	3/1996	Skog	D10/106

OTHER PUBLICATIONS

“Uniguard UG-2-A2 Stand-Alone-Unit. Smoke detector for duct installation.” Calectro, Sweden.

“A-Sense and UG-A-Sense. Carbon dioxide and temperature sensor. Duct or room installation.” Calectro, Sweden.

Screenshot from <http://www.calectro.com>, showing Applicants previous UNIGUARD® models.

* cited by examiner

Primary Examiner—Robert M. Spear

Assistant Examiner—George D Kirschbaum

(74) *Attorney, Agent, or Firm*—Birch, Stewart, Kolasch & Birch, LLP

(57) **CLAIM**

The ornamental design for detector for duct channel, as shown and described.

DESCRIPTION

FIG. 1 is a perspective view of a detector for duct channel showing our new design;

FIG. 2 is a front plan view thereof;

FIG. 3 is a top plan view thereof;

FIG. 4 is a rear elevation view thereof;

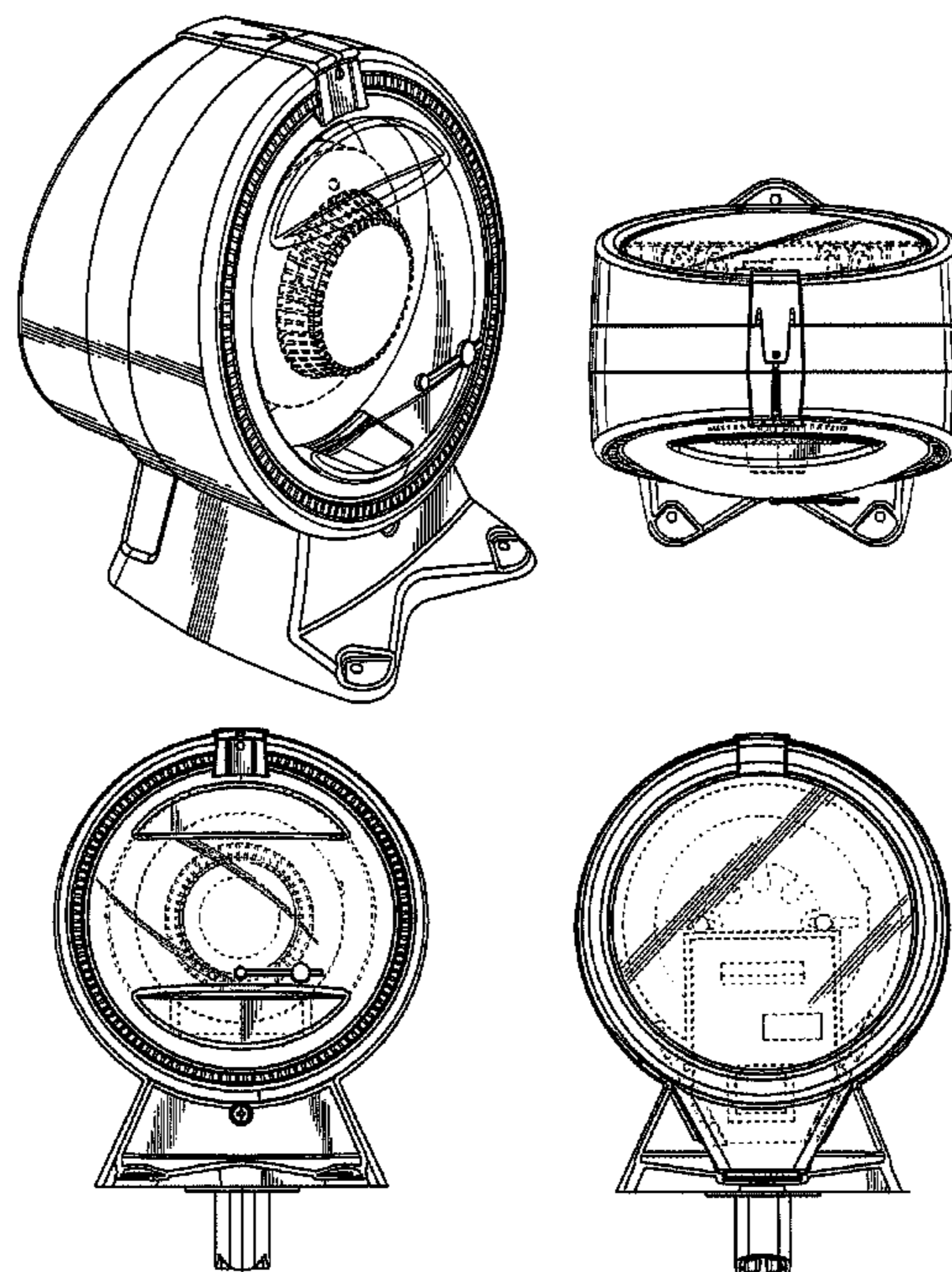
FIG. 5 is a bottom plan view thereof;

FIG. 6 is a right side elevation view thereof; and,

FIG. 7 is a left side elevation view thereof.

The broken lines depict unclaimed environmental subject matter.

1 Claim, 4 Drawing Sheets



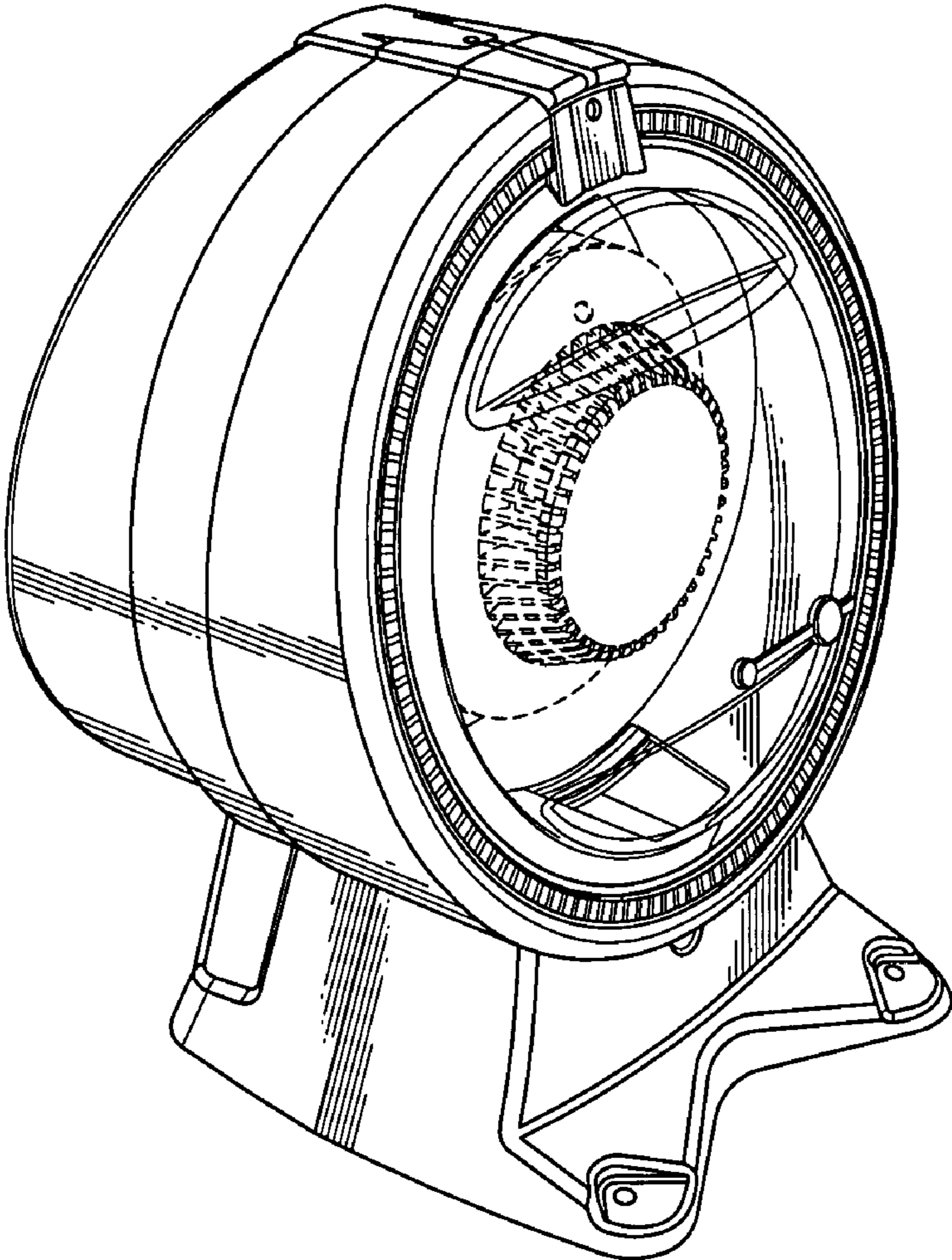


Fig. 1

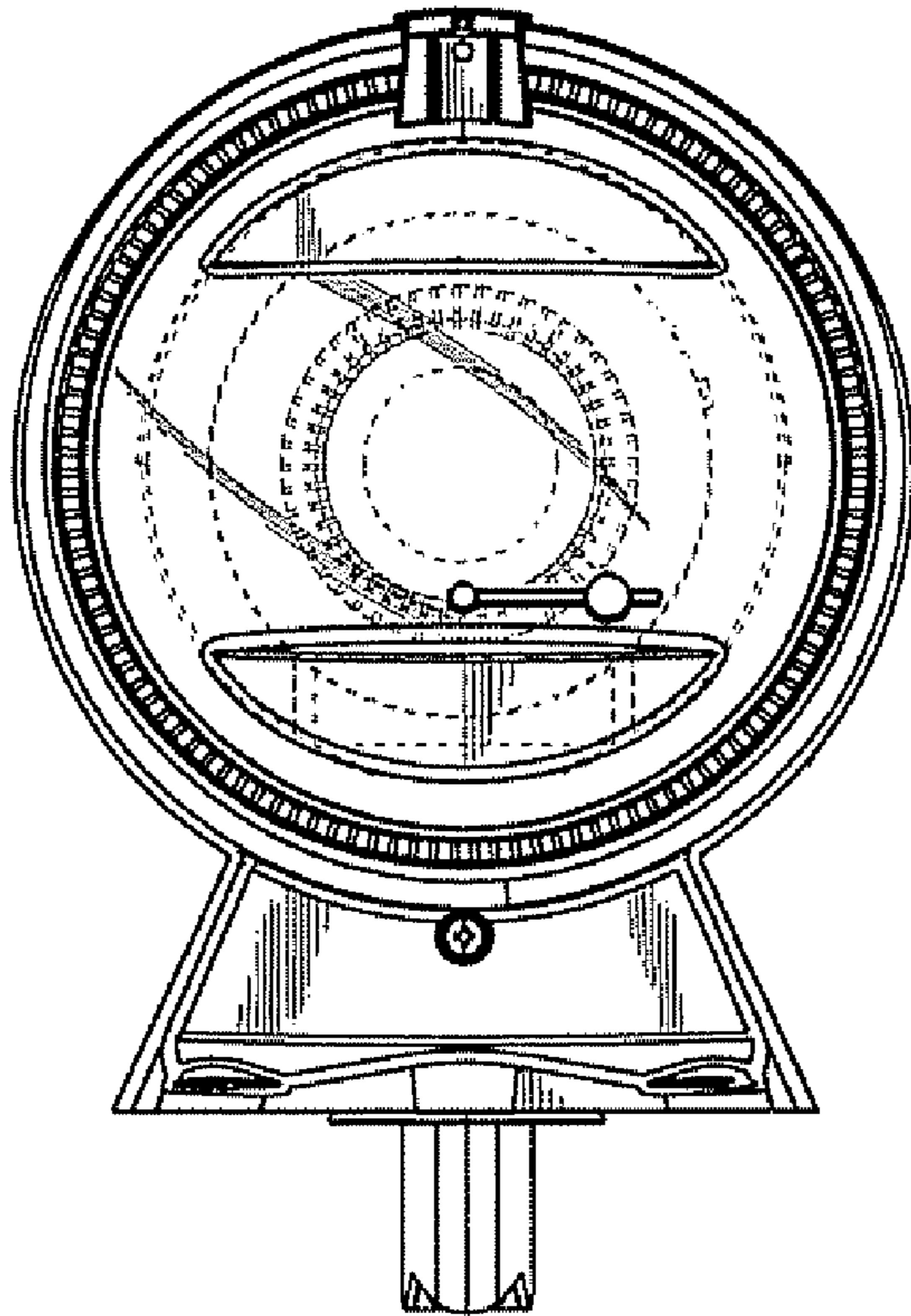


Fig. 2

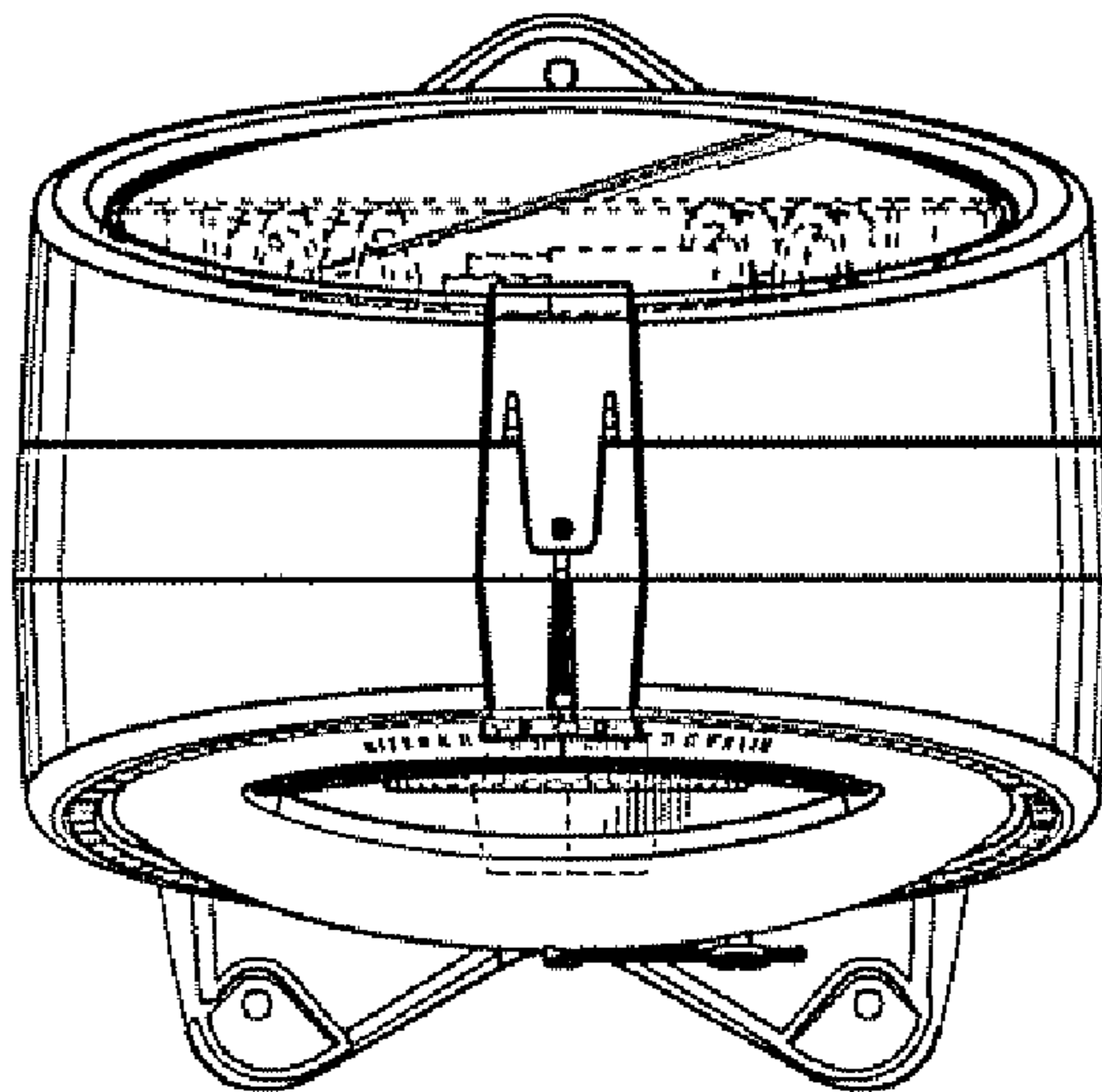


Fig. 3

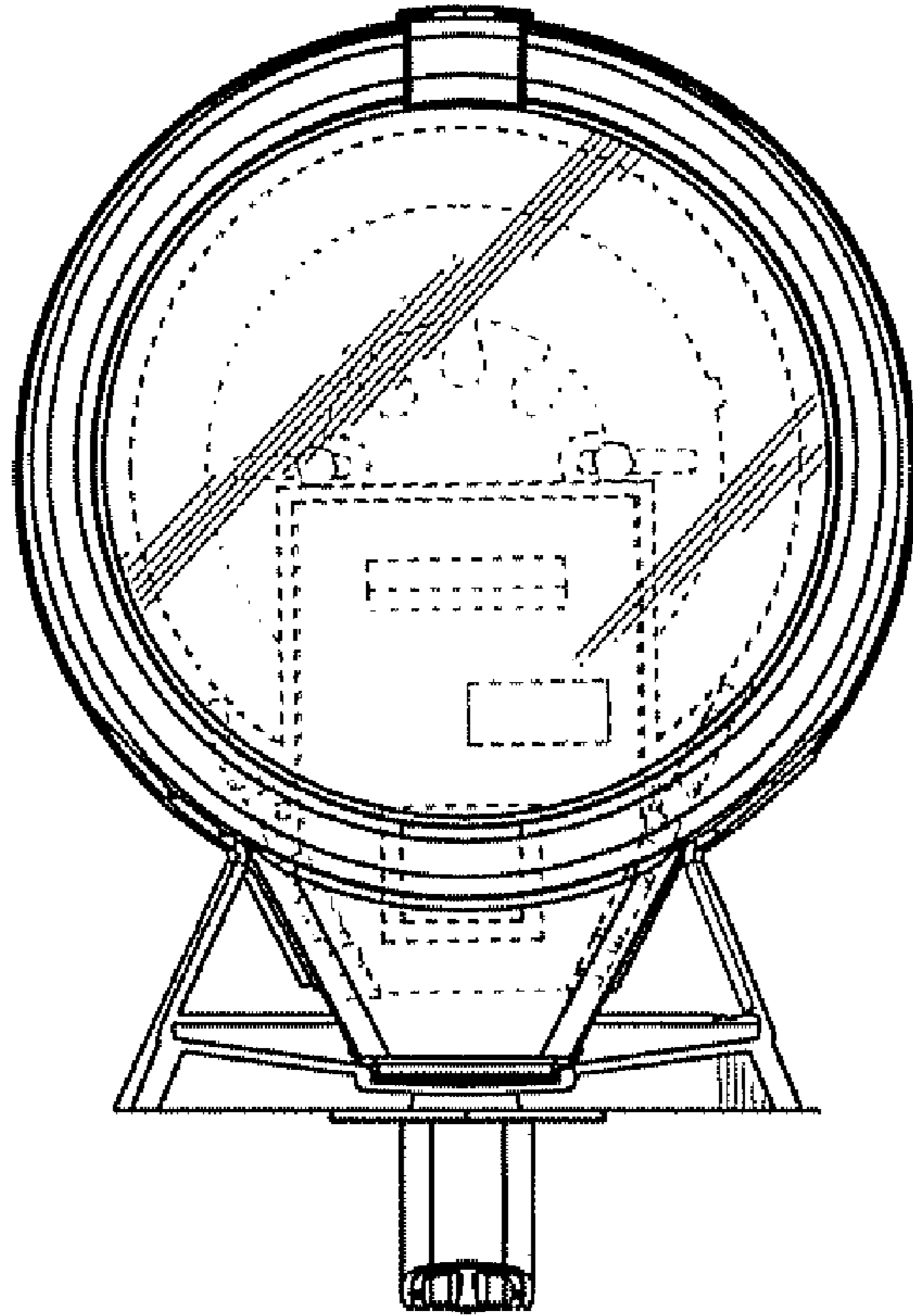


Fig. 4

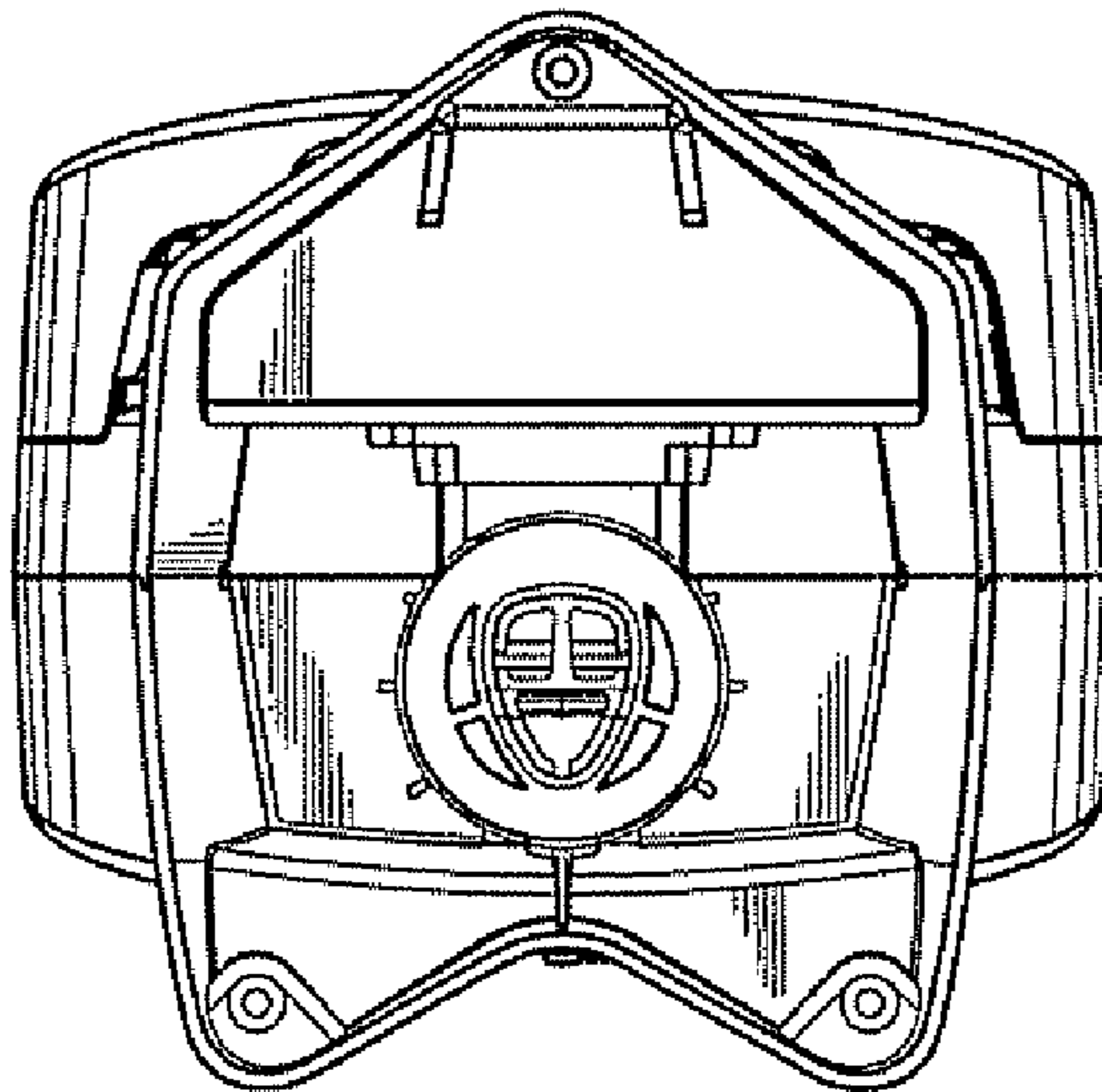


Fig. 5

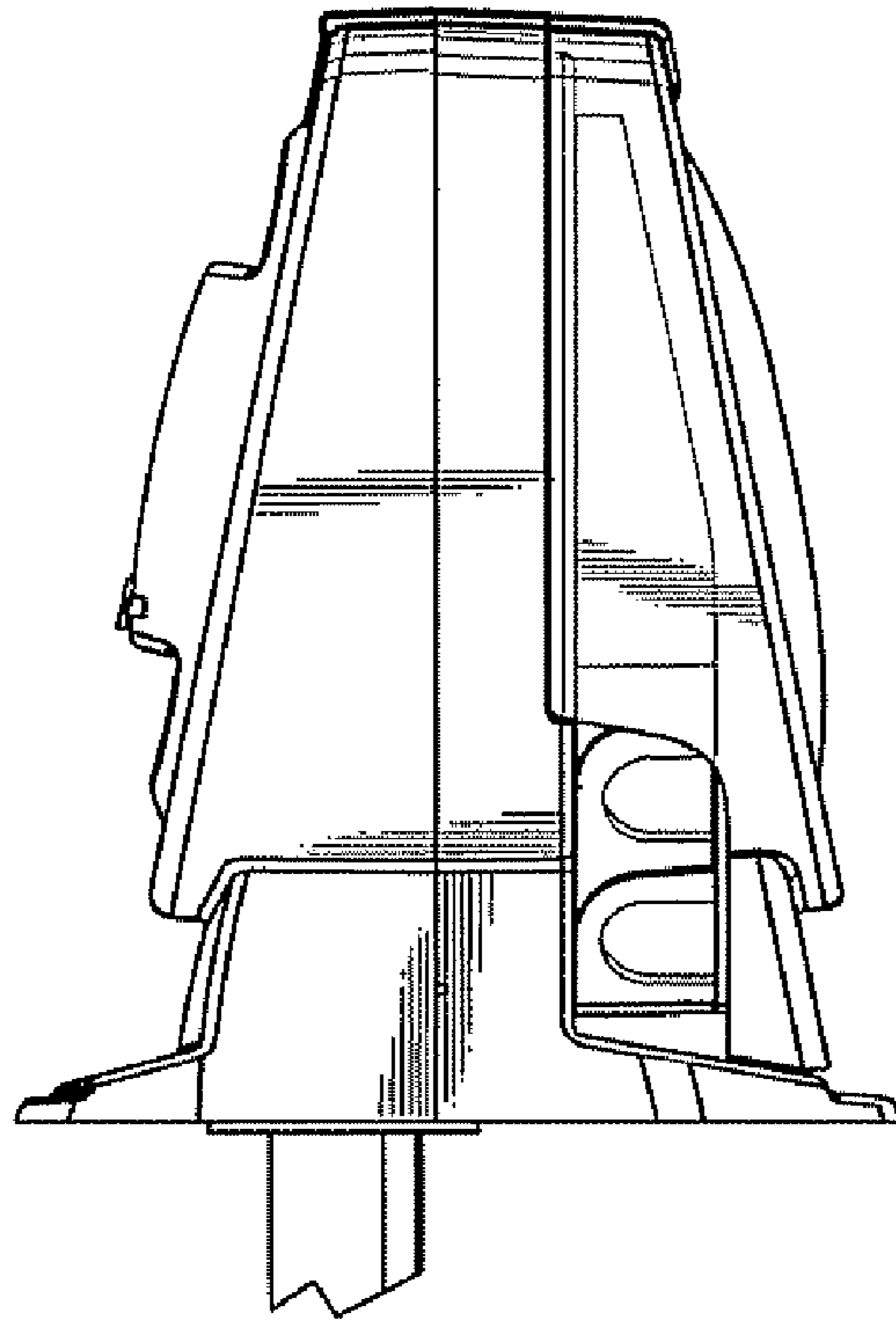


Fig. 6

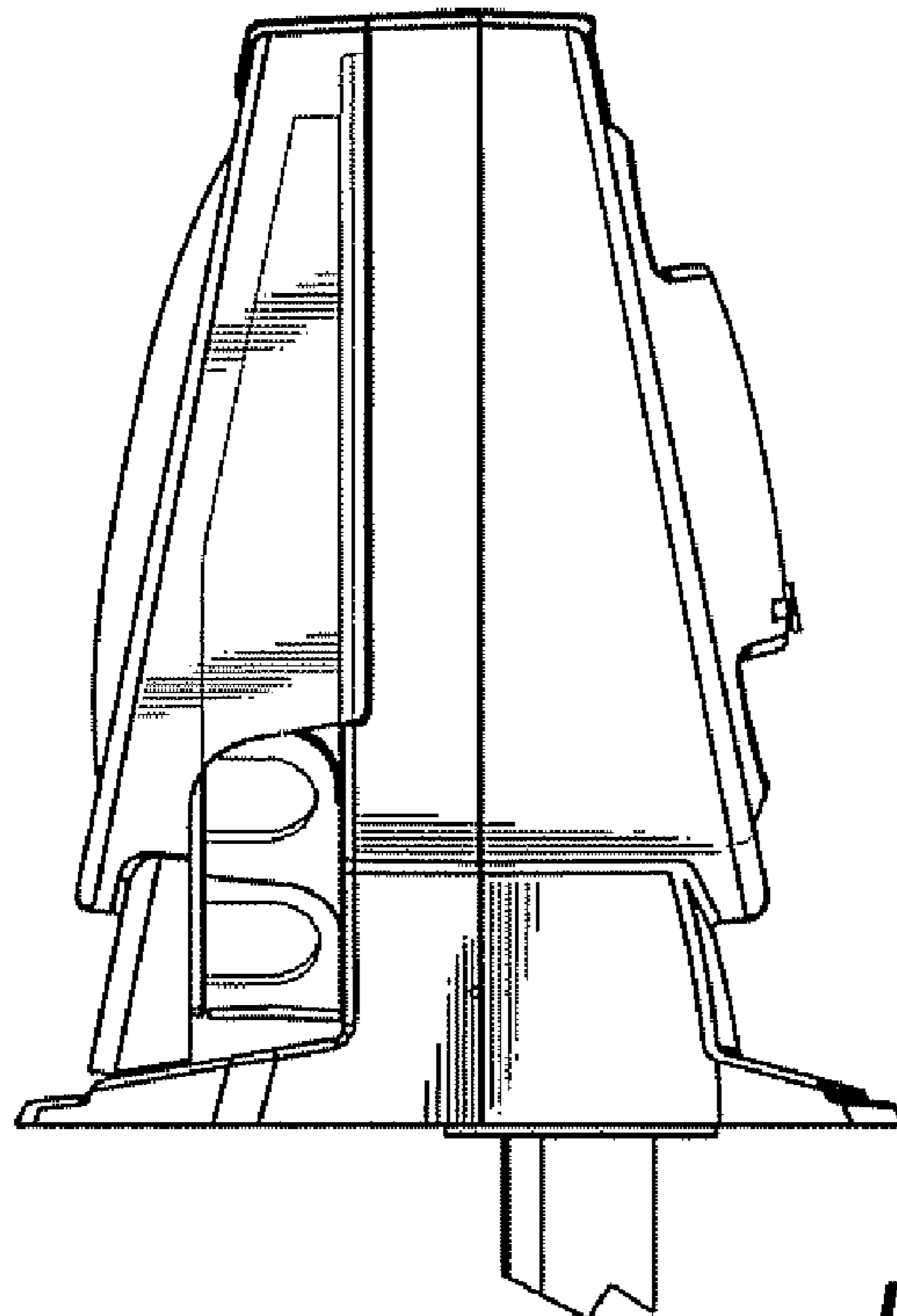


Fig. 7