



US00D553527S

(12) **United States Design Patent**
Bochmann et al.

(10) **Patent No.:** **US D553,527 S**

(45) **Date of Patent:** **** Oct. 23, 2007**

(54) **TACHOMETER**

D381,614 S * 7/1997 Ma D12/192
D515,446 S * 2/2006 Viscosi et al. D10/96
D525,548 S * 7/2006 Viscosi et al. D10/96

(75) Inventors: **Cherry Bochmann**, Bay Village, OH (US); **Joe Young**, North Royalton, OH (US); **Bart Ivic**, Columbia Station, OH (US); **Alex Shaland**, Lyndhurst, OH (US); **Robyn Merchant**, Richmond Heights, OH (US)

* cited by examiner

Primary Examiner—Antoine D. Davis
(74) *Attorney, Agent, or Firm*—Baker & Hostetler LLP

(73) Assignee: **SPX Corporation**, Charlotte, NC (US)

(57) **CLAIM**

(**) Term: **14 Years**

The ornamental design for the tachometer, as shown and described.

(21) Appl. No.: **29/245,379**

DESCRIPTION

(22) Filed: **Dec. 23, 2005**

FIG. 1 is a perspective view of the tachometer, particularly showing the inventive design thereof;

(51) **LOC (8) Cl.** **10-04**

FIG. 2 is a front view thereof;

(52) **U.S. Cl.** **D10/98**

FIG. 3 is a back view thereof;

(58) **Field of Classification Search** D10/98;
16/334; 324/160, 161, 169, 174, 262; 340/439,
340/441, 456, 461

FIG. 4 is a left side view thereof;

FIG. 5 is a right side view thereof;

See application file for complete search history.

FIG. 6 is a top view thereof, and,

FIG. 7 is a bottom view thereof.

(56) **References Cited**

The broken line showings are for illustrative purposes only and form no part of the claimed design.

U.S. PATENT DOCUMENTS

D249,938 S * 10/1978 Shaffer et al. D10/98
5,495,758 A * 3/1996 Griffen et al. 73/493

1 Claim, 7 Drawing Sheets

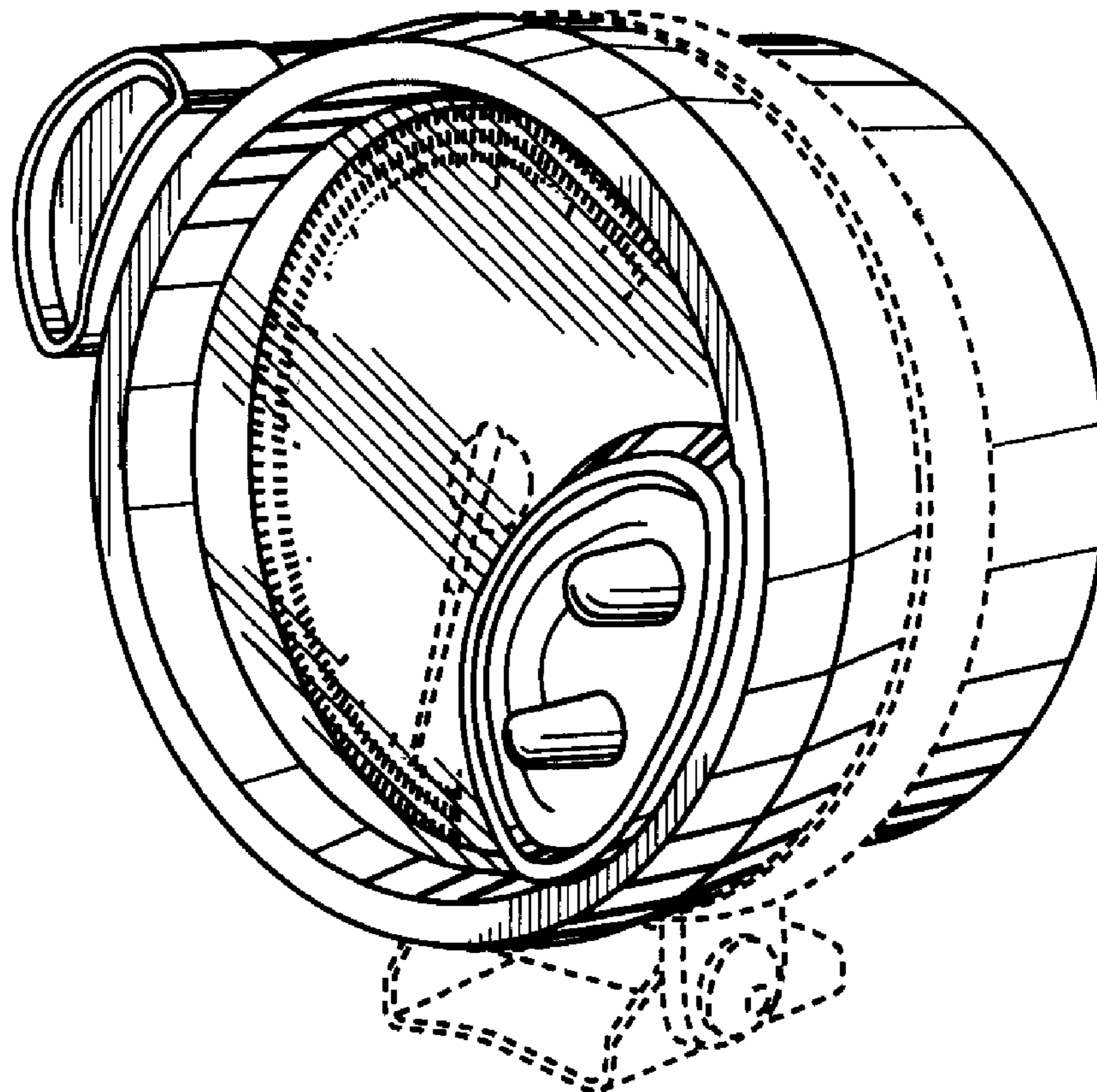


FIG. 1

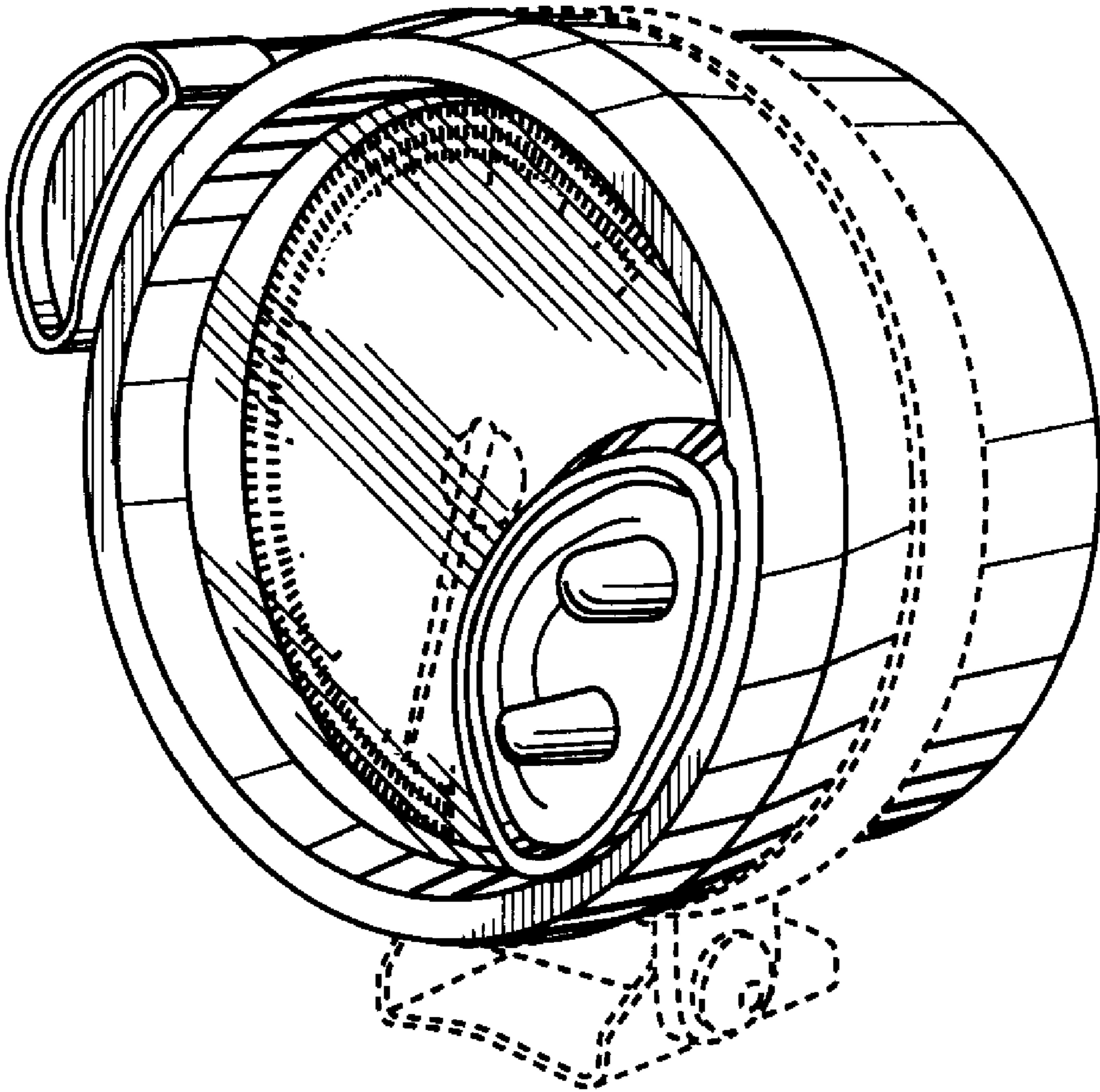


FIG. 2

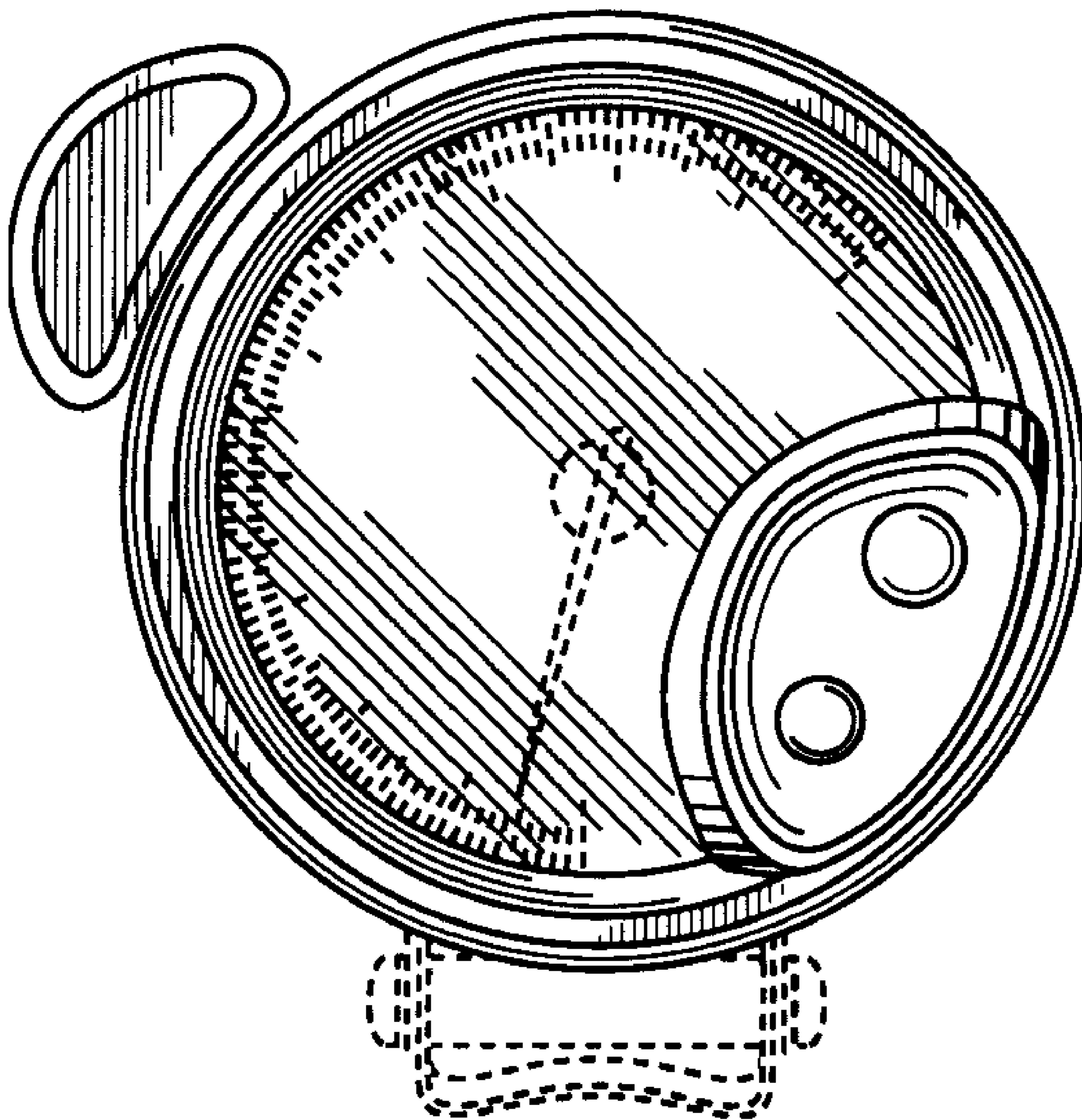


FIG. 3

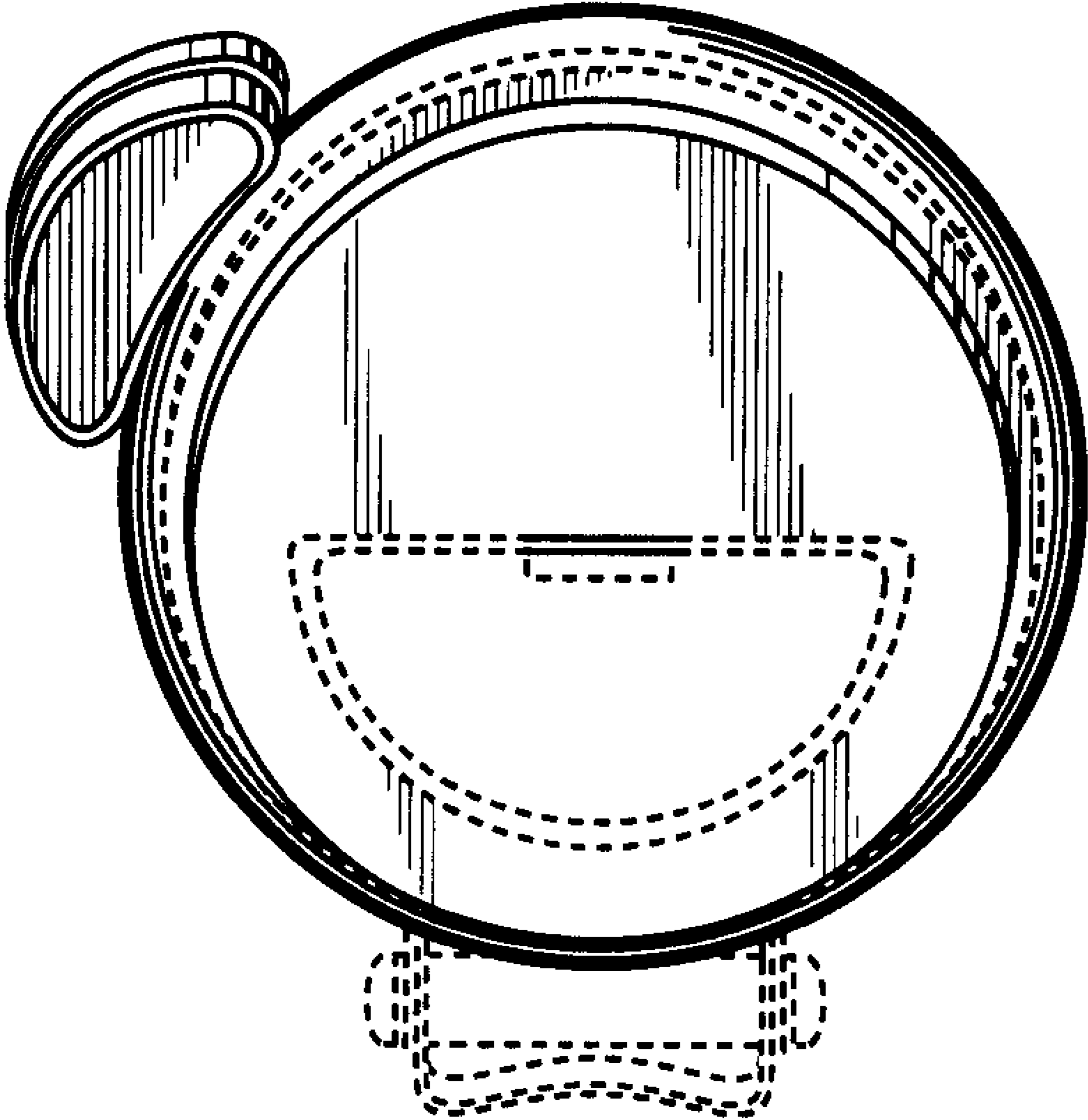


FIG. 4

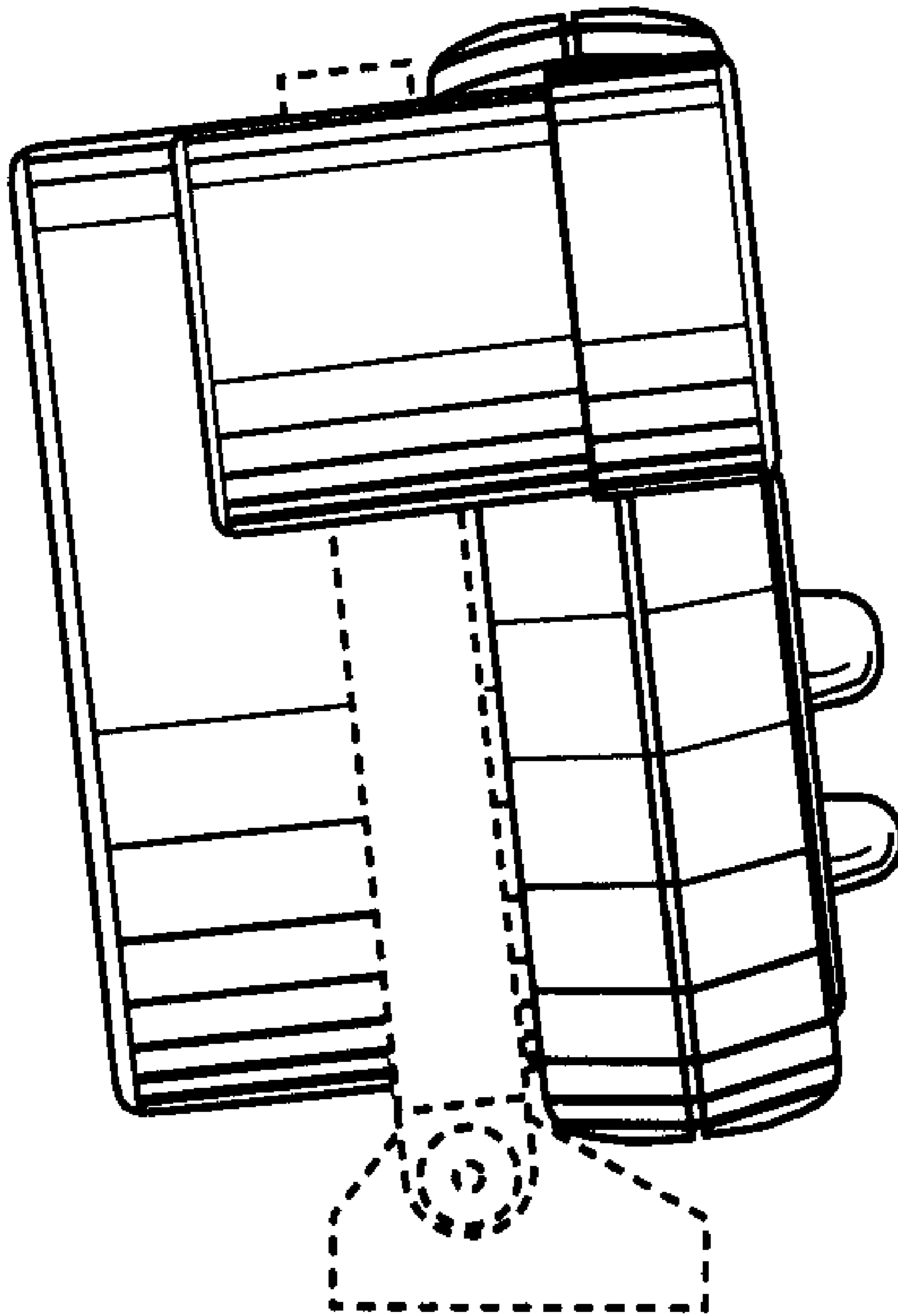


FIG. 5

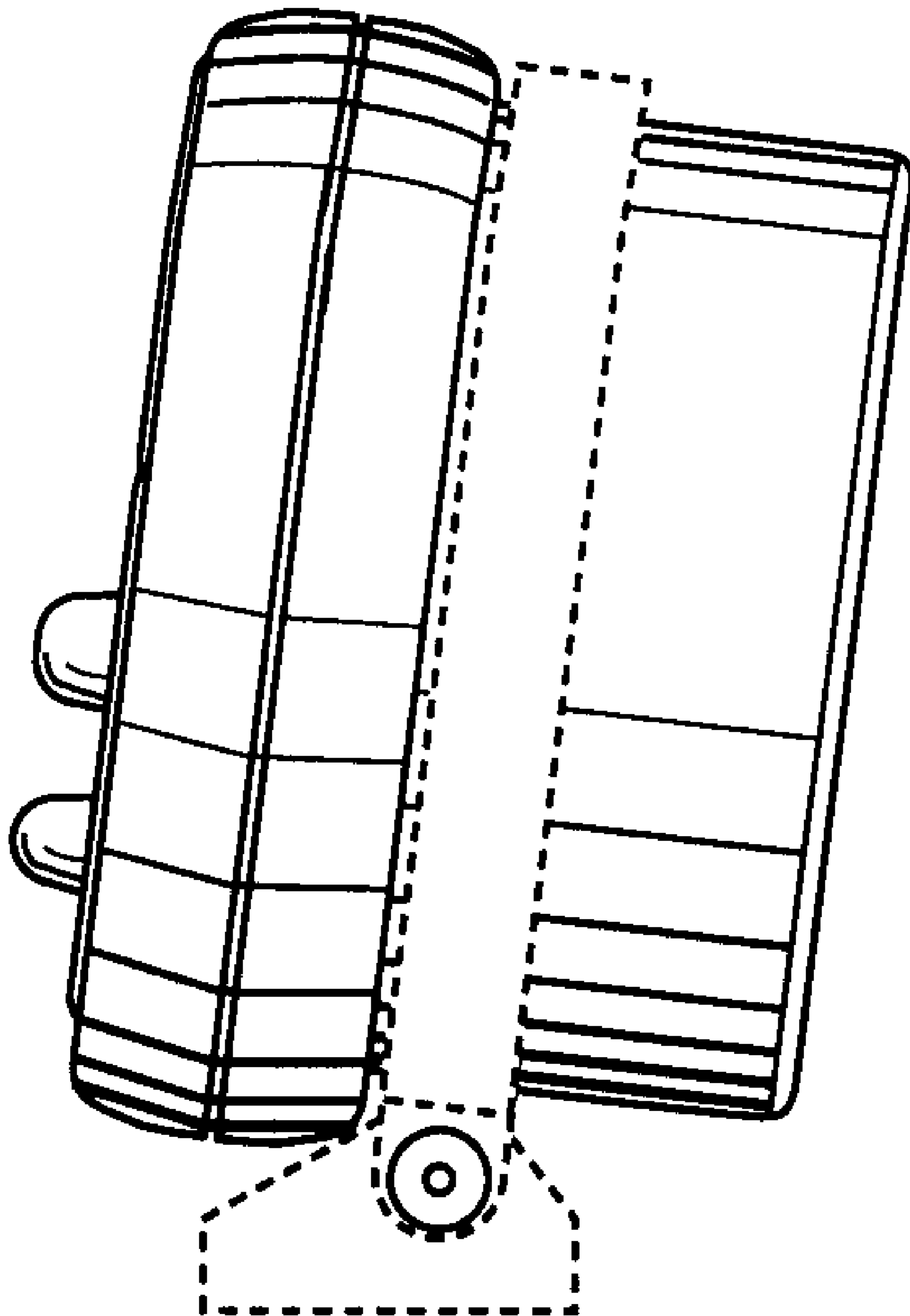


FIG. 6

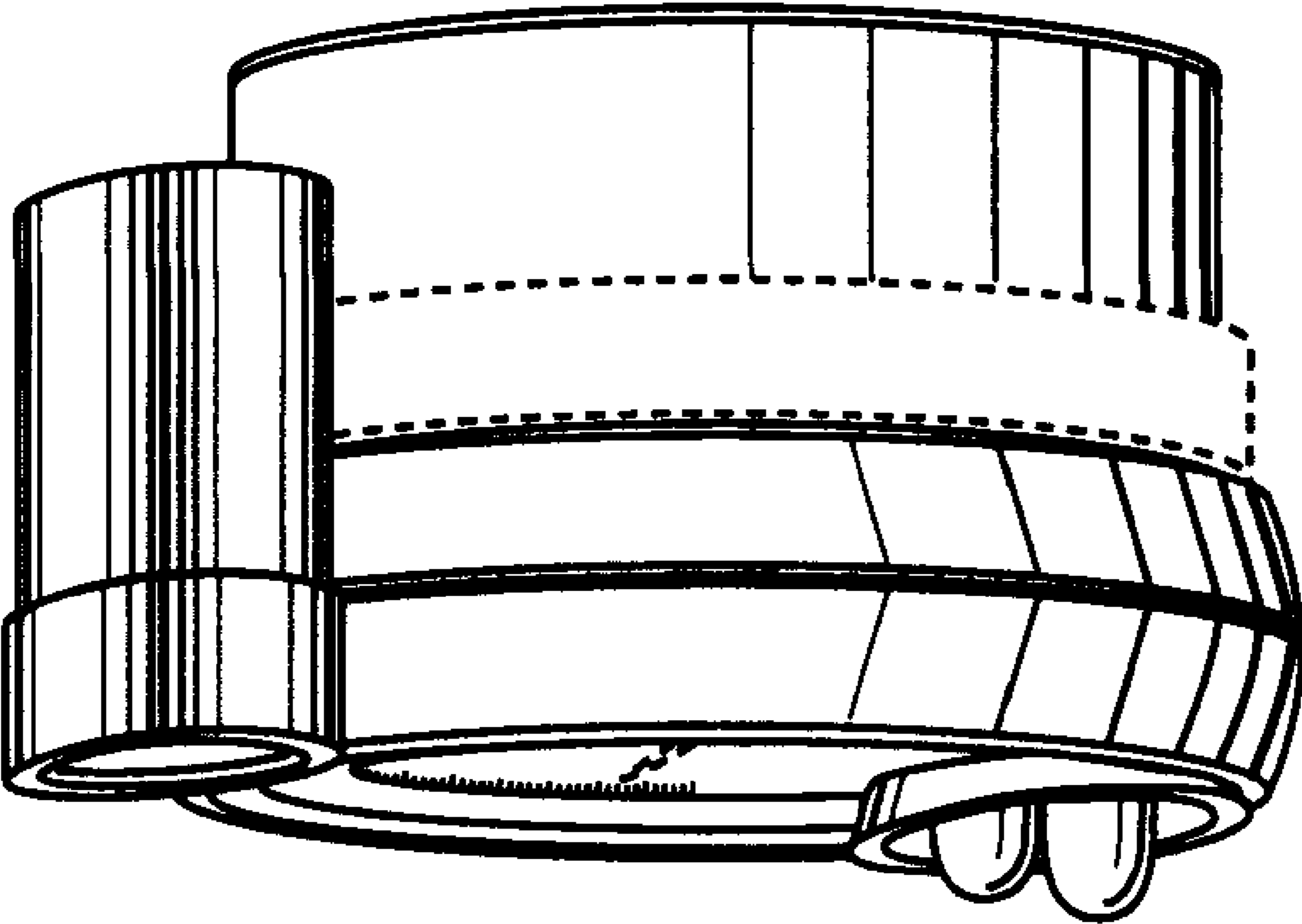


FIG. 7

