



US00D553521S

(12) **United States Design Patent**
Morgan

(10) **Patent No.:** **US D553,521 S**

(45) **Date of Patent:** **** Oct. 23, 2007**

(54) **CARBON MONOXIDE MONITOR**

Primary Examiner—Antoine D. Davis

(76) Inventor: **Scott M. Morgan**, 11244 N. Shoreline Dr., Highland, UT (US) 84003

(57) **CLAIM**

(**) Term: **14 Years**

I claim, the ornamental designs for the carbon monoxide monitor, as shown.

(21) Appl. No.: **29/242,283**

(22) Filed: **Nov. 7, 2005**

DESCRIPTION

(51) **LOC (8) Cl.** **10-04**

(52) **U.S. Cl.** **D10/81**

(58) **Field of Classification Search** D10/81;
340/628, 629, 630, 632, 633, 634, 527; 454/239,
454/256, 343

See application file for complete search history.

FIG. 1 is a front view of the carbon monoxide monitor;
FIG. 2 is a back view of the carbon monoxide monitor;
FIG. 3 is a left side view of the carbon monoxide monitor;
FIG. 4 is a right side view of the carbon monoxide monitor;
FIG. 5 is a top view of the carbon monoxide monitor;
FIG. 6 is a bottom view of the carbon monoxide monitor;
and,
FIG. 7 is a perspective view of the carbon monoxide monitor.

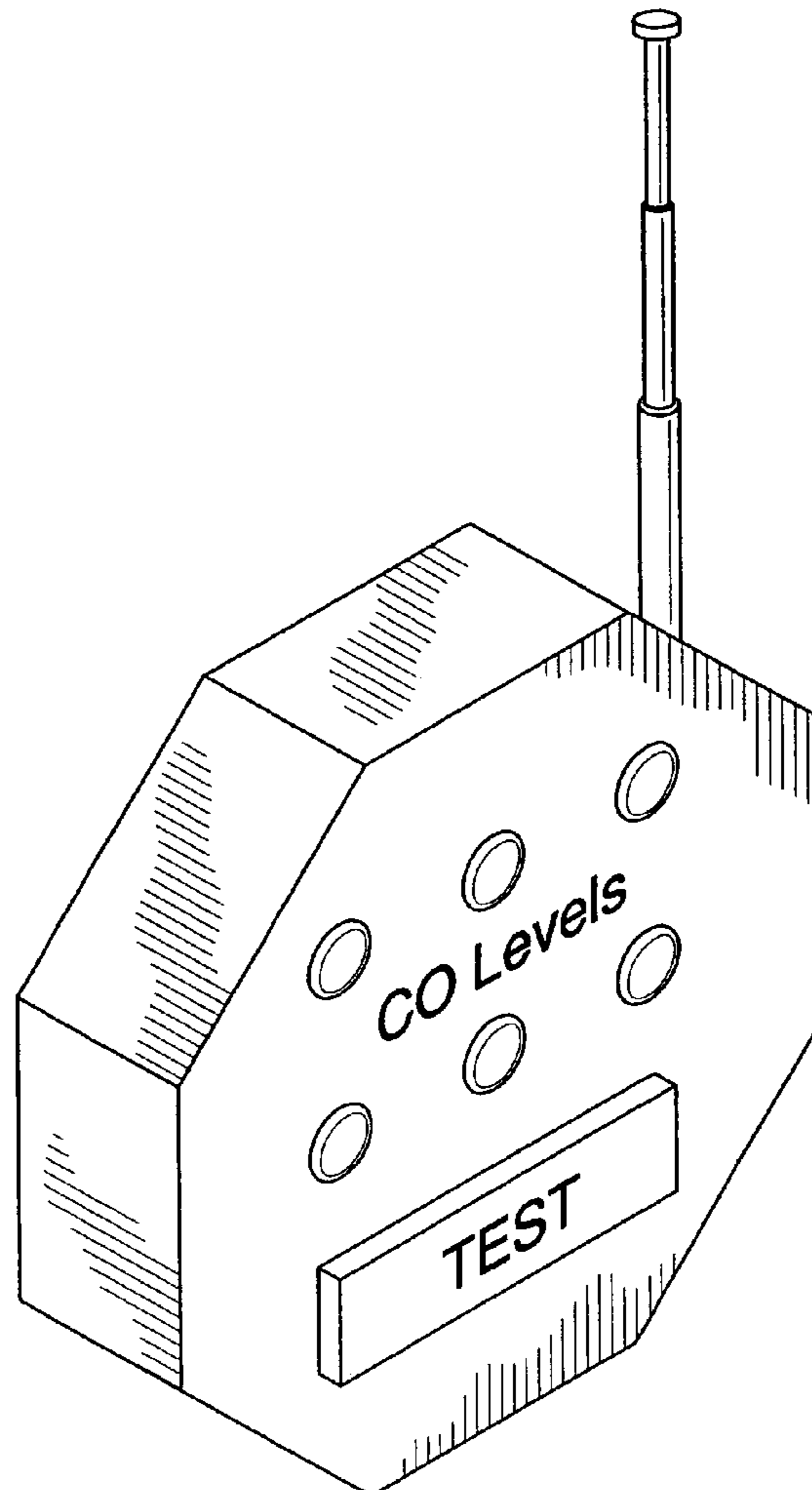
(56) **References Cited**

U.S. PATENT DOCUMENTS

D308,646 S * 6/1990 Grilk D10/81
D369,566 S * 5/1996 Poon D10/81

* cited by examiner

1 Claim, 5 Drawing Sheets



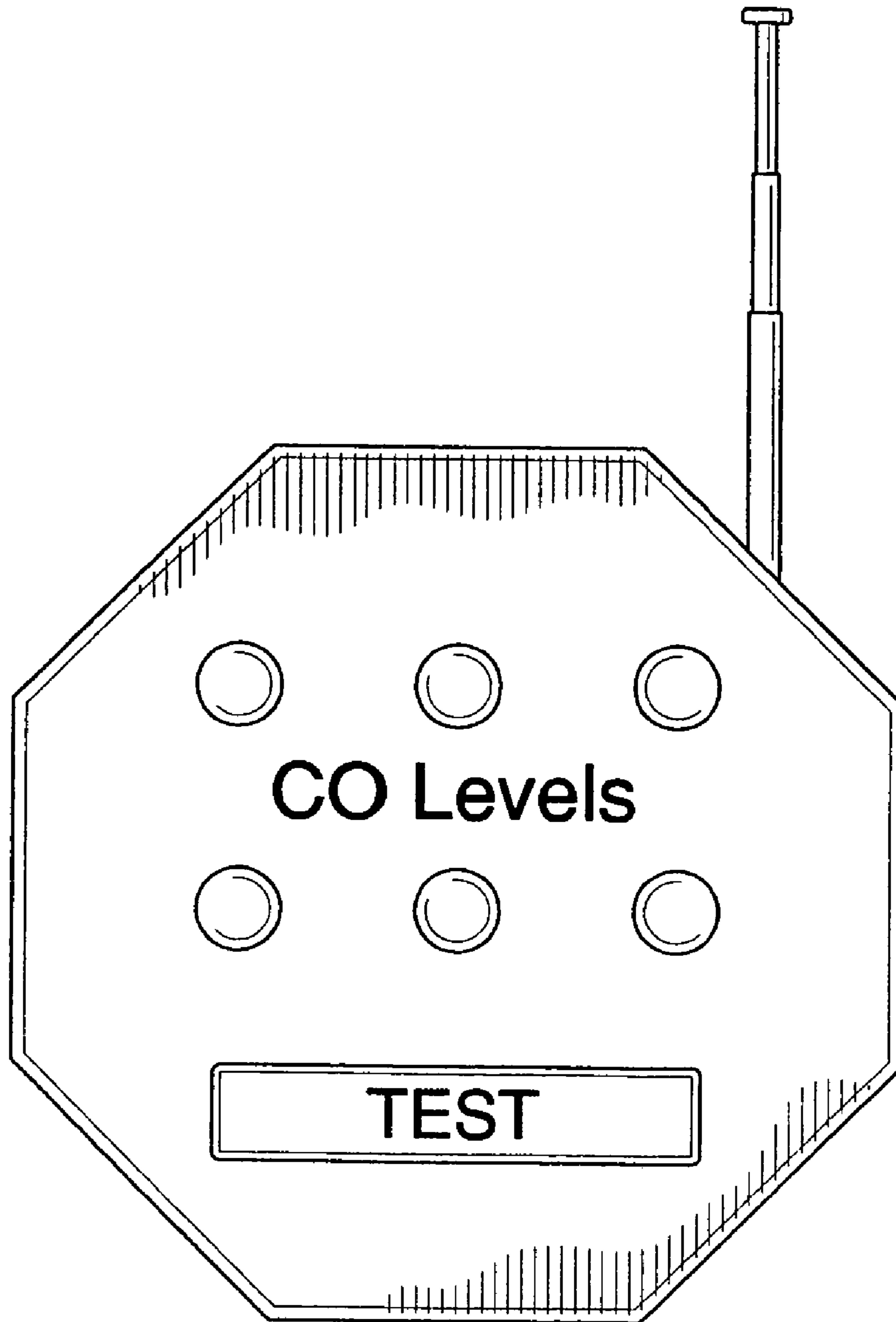


FIG.1

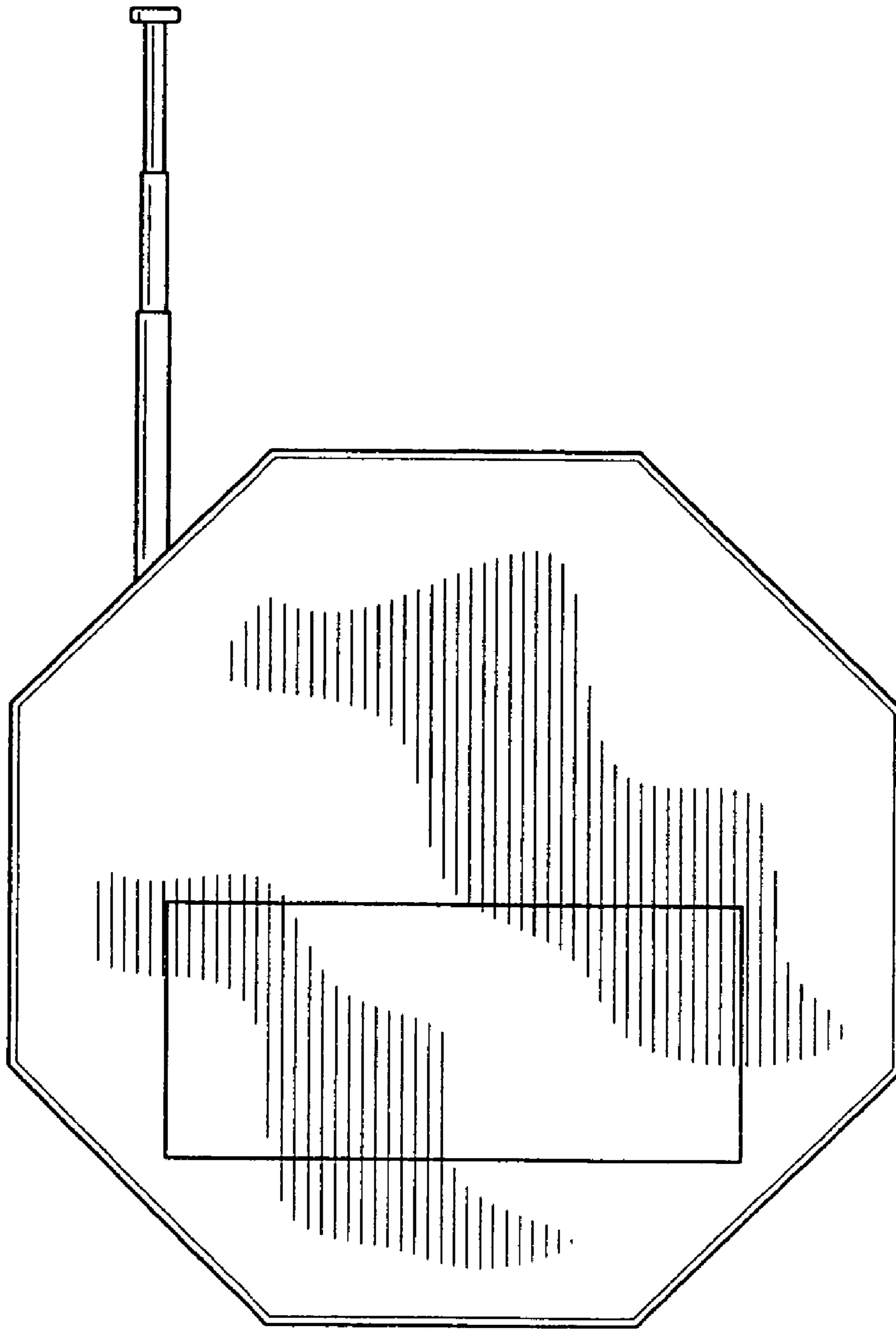


FIG.2

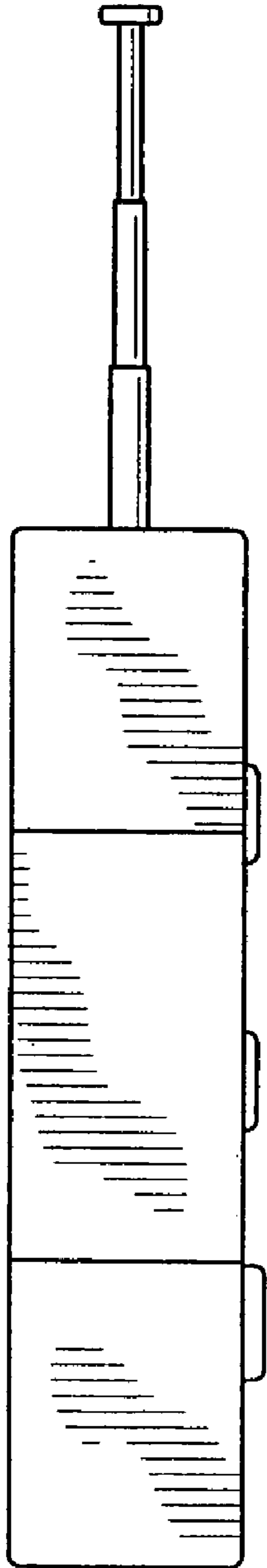


FIG. 3

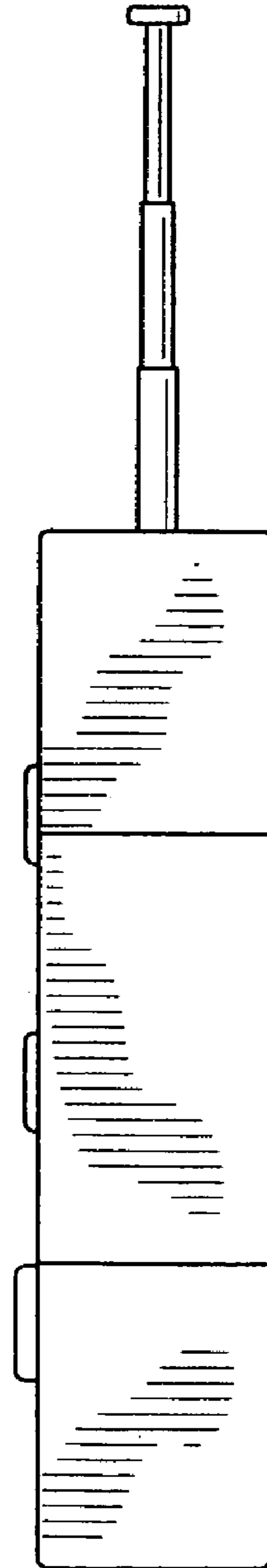


FIG. 4

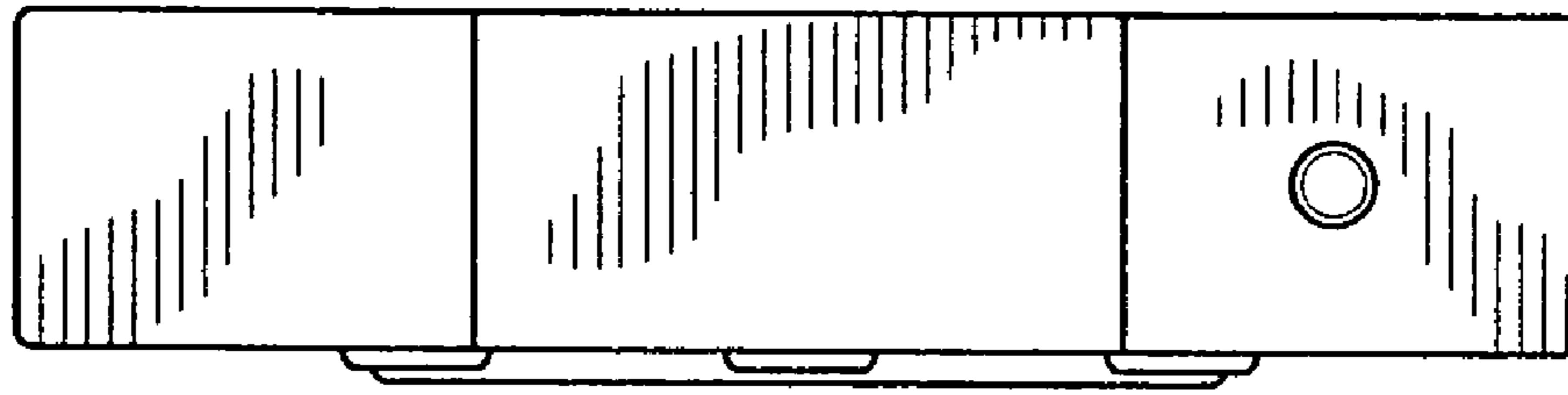


FIG. 5

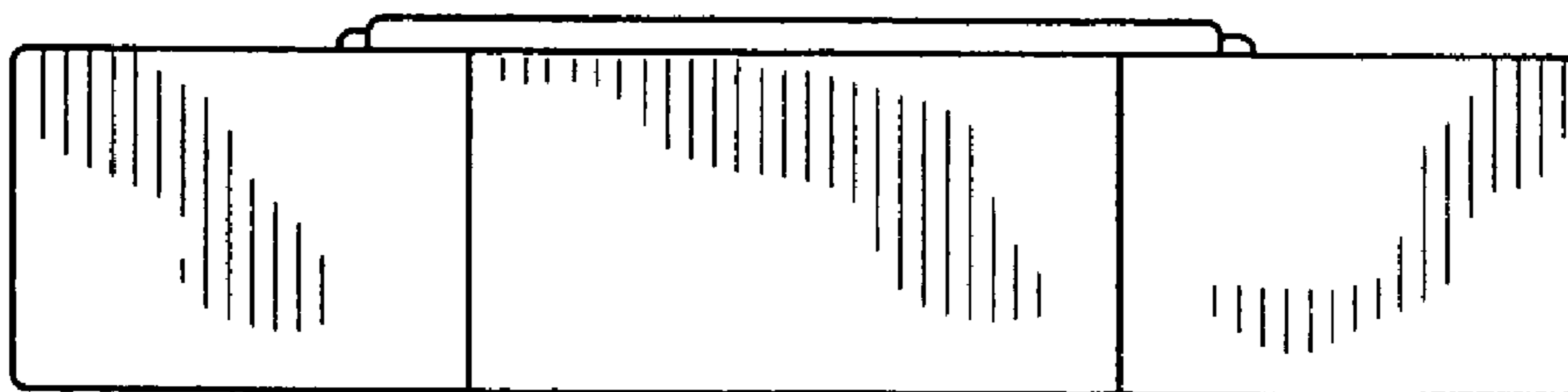


FIG. 6

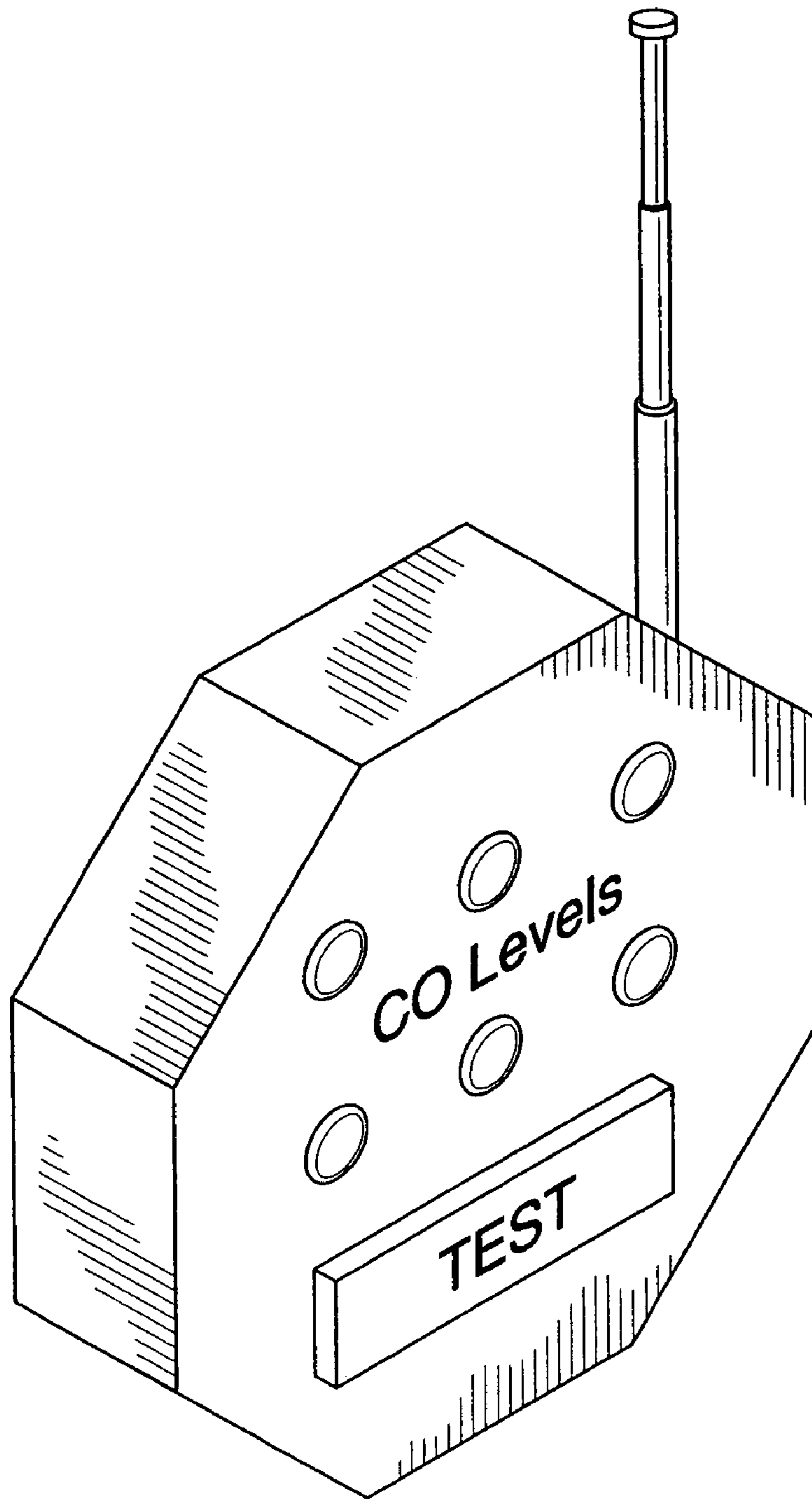


FIG.7