



US00D553519S

(12) **United States Design Patent**
Crumley

(10) **Patent No.:** **US D553,519 S**

(45) **Date of Patent:** **** Oct. 23, 2007**

(54) **SPIRIT LEVEL**

(76) **Inventor:** **Larry Crumley**, P.O. Box 481865,
Charlotte, NC (US) 28269

(**) **Term:** **14 Years**

(21) **Appl. No.:** **29/248,667**

(22) **Filed:** **Aug. 28, 2006**

(51) **LOC (8) Cl.** **10-04**

(52) **U.S. Cl.** **D10/69**

(58) **Field of Classification Search** D10/69;
33/369, 377-396; 473/241, 242, 341; D21/219
See application file for complete search history.

(56) **References Cited**

U.S. PATENT DOCUMENTS

D34,017 S *	1/1901	Farwell	D10/69
1,101,319 A *	6/1914	Neff	33/385
D139,402 S *	11/1944	Chaney	D10/69
3,383,772 A *	5/1968	Gardner et al.	33/373

5,403,001 A *	4/1995	Skorpinski	33/389
D368,666 S *	4/1996	Fonte	D10/69
D407,335 S *	3/1999	Bowen	D10/69

* cited by examiner

Primary Examiner—Antoine D. Davis

(74) *Attorney, Agent, or Firm*—Paul H. Demchick

(57) **CLAIM**

The ornamental design for a spirit level, as shown.

DESCRIPTION

FIG. 1 is a front view of the spirit level.

FIG. 2 is a top view of the spirit level.

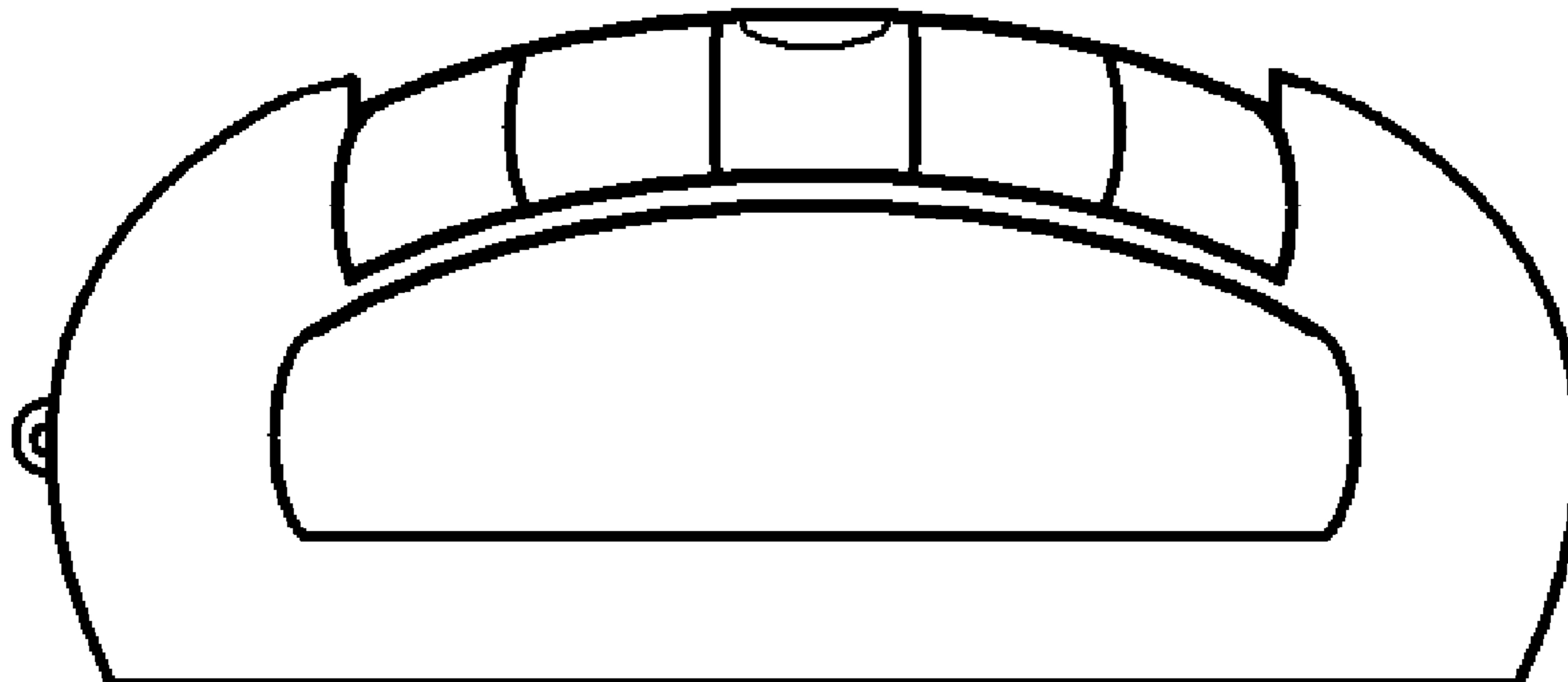
FIG. 3 is a bottom view of the spirit level.

FIG. 4 is a left side view of the spirit level.

FIG. 5 is a right side view of the spirit level; and,

FIG. 6 is an isometric view of the spirit level.

1 Claim, 1 Drawing Sheet



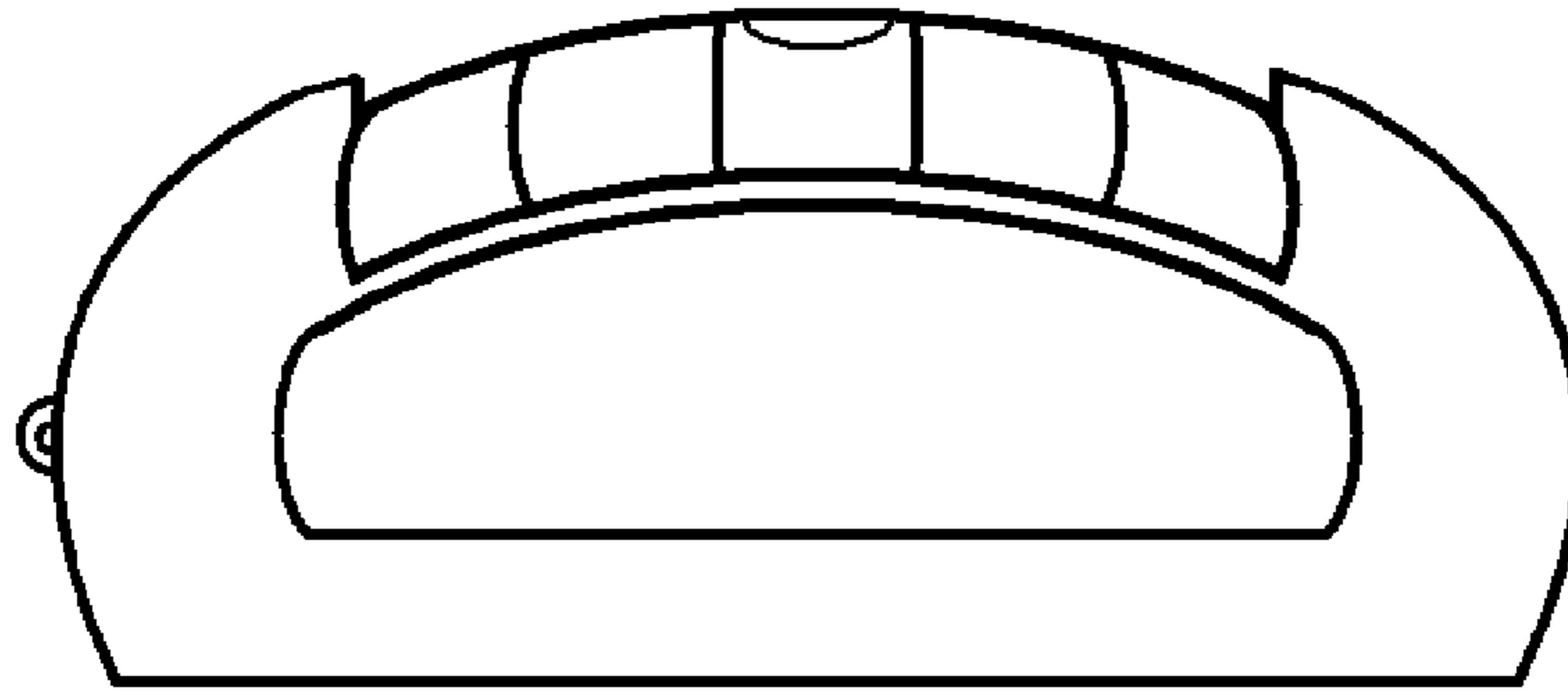


Fig. 1

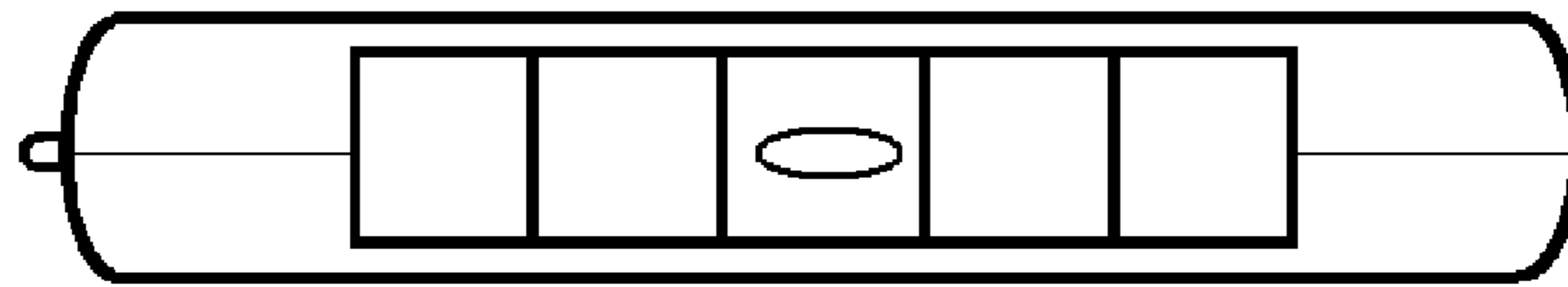


Fig. 2

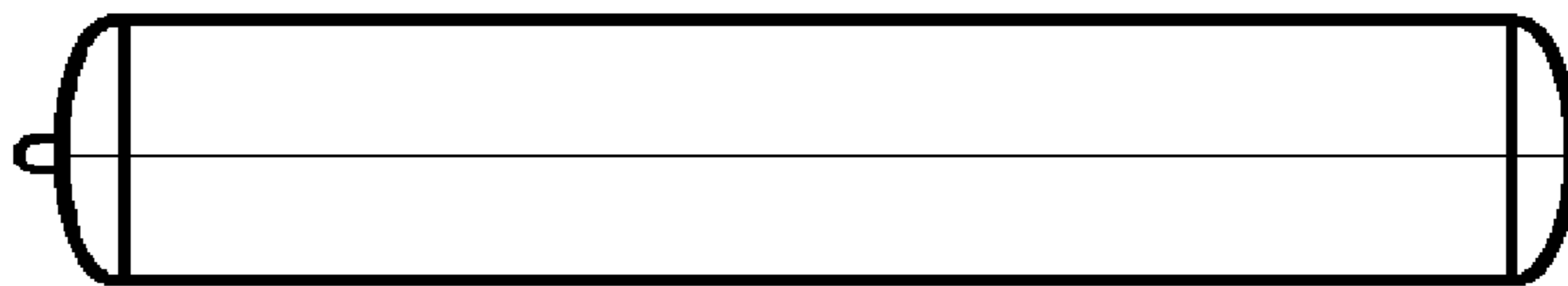


Fig. 3

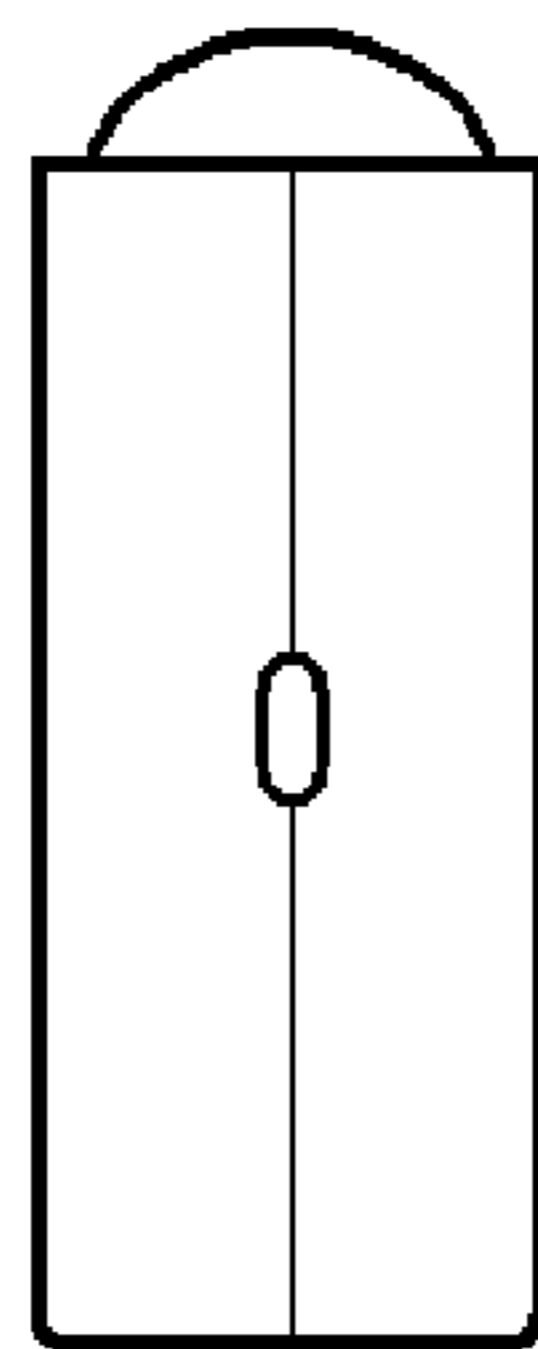


Fig. 4



Fig. 5

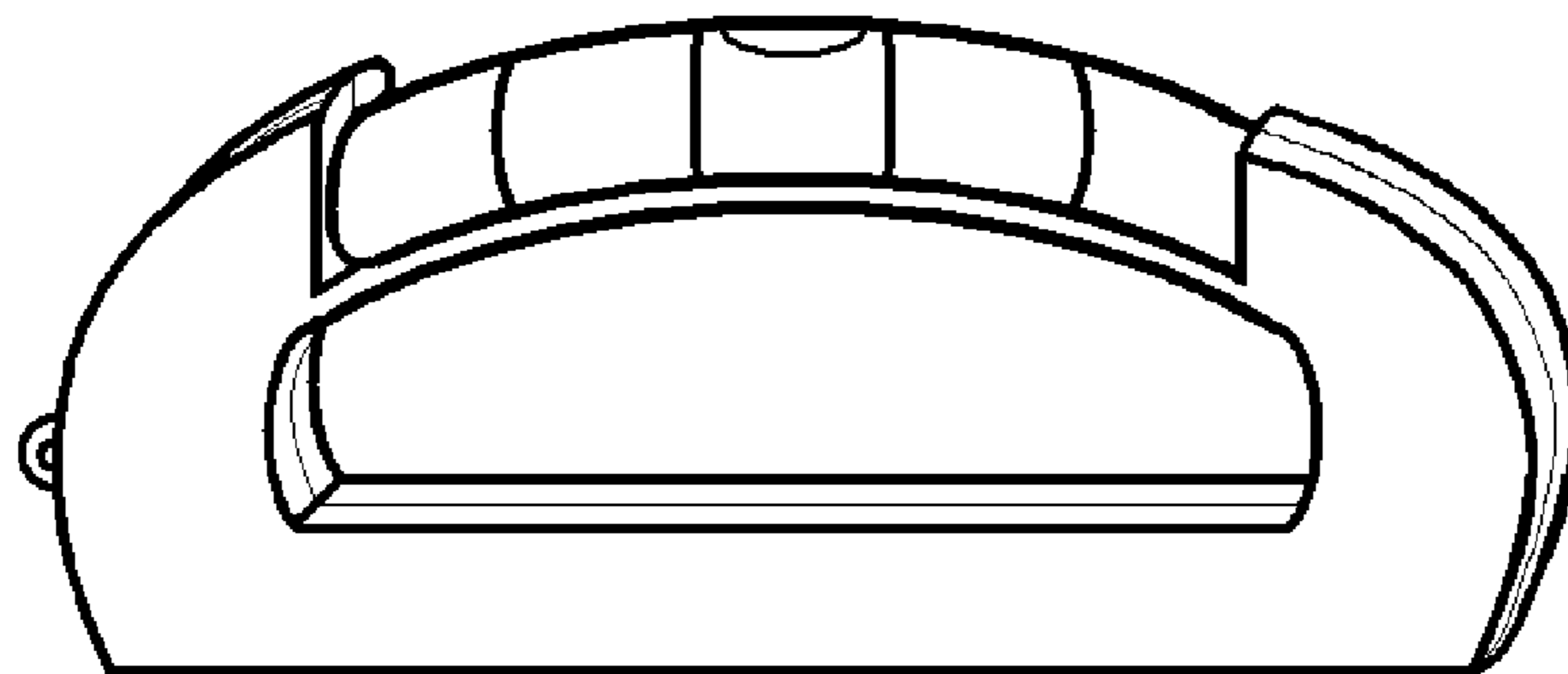


Fig. 6