



US00D553518S

(12) **United States Design Patent**
Thompson

(10) **Patent No.:** **US D553,518 S**

(45) **Date of Patent:** **** Oct. 23, 2007**

(54) **FLOATING THERMOMETER**
(75) Inventor: **Aaron Thompson**, Cooper City, FL
(US)

D518,142 S 3/2006 Thompson
D518,554 S 4/2006 Thompson
D518,870 S 4/2006 Thompson
D526,043 S 8/2006 Thompson
D526,382 S 8/2006 Thompson

(73) Assignee: **Swimways Corporation**, Virginia
Beach, VA (US)

* cited by examiner

(**) Term: **14 Years**

Primary Examiner—Antoine D. Davis
(74) *Attorney, Agent, or Firm*—Cooley Godward Kronish
LLP

(21) Appl. No.: **29/248,060**

(22) Filed: **Jul. 27, 2006**

(57) **CLAIM**

(51) **LOC (8) Cl.** **10-04**

The ornamental design for a floating thermometer, as shown
and described.

(52) **U.S. Cl.** **D10/57**

(58) **Field of Classification Search** D10/57;
4/496, 541, 542, 543, 544; 204/400, 420,
204/433, 153.1, 153.21; 374/156, 194, 208,
374/109, 136, 170, 142, 102, 141

DESCRIPTION

See application file for complete search history.

FIG. 1 is a perspective view of a new design for a floating
thermometer;

(56) **References Cited**

FIG. 2 is a front view of the floating thermometer illustrated
in FIG. 1;

U.S. PATENT DOCUMENTS

FIG. 3 is a top view of the floating thermometer illustrated
in FIG. 1;

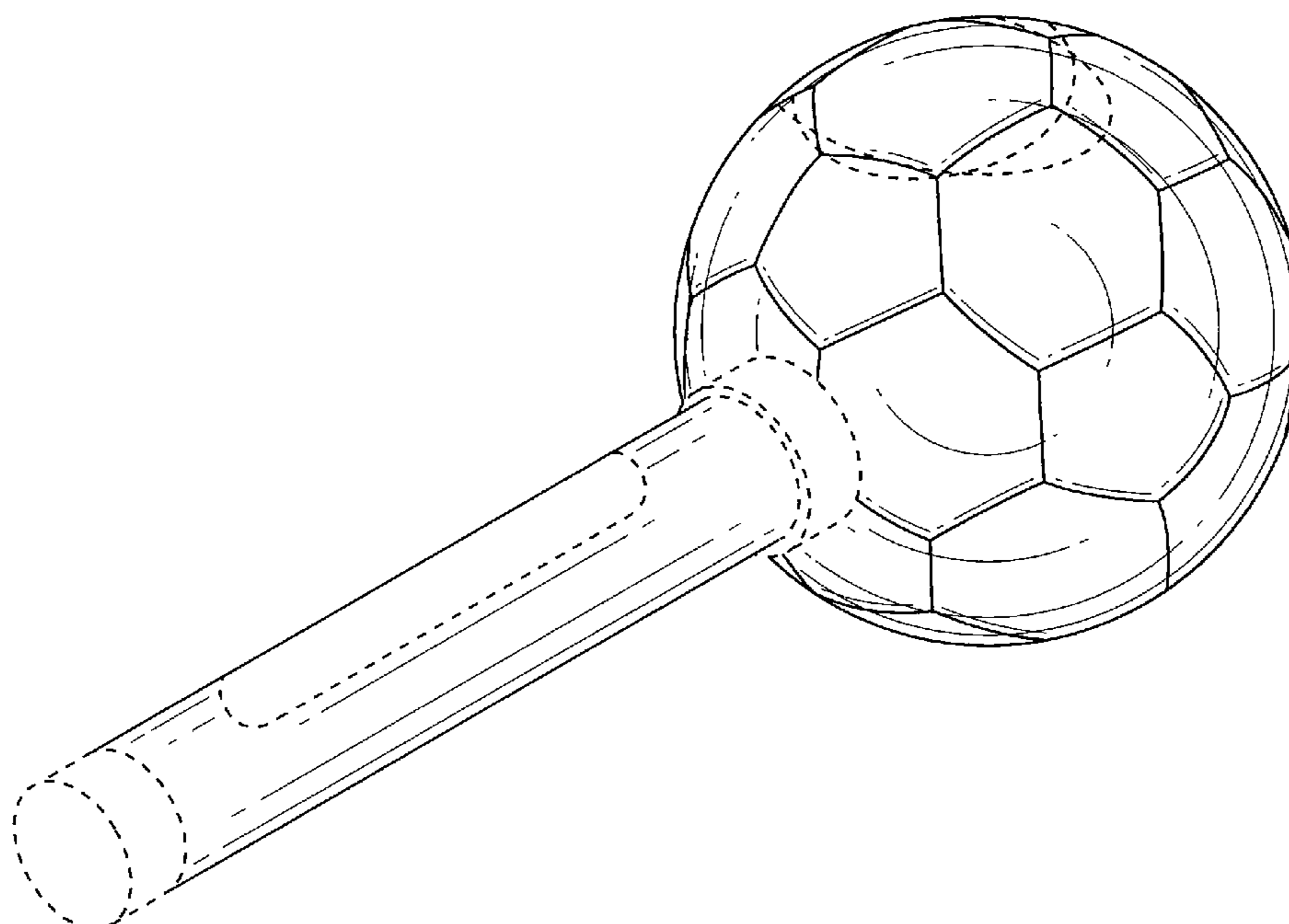
- 3,873,446 A * 3/1975 Campbell 374/141
- D300,908 S * 5/1989 Chan D10/57
- D312,216 S * 11/1990 Nadzak et al. D10/57
- D312,975 S * 12/1990 Scheurer D10/57
- 5,152,610 A * 10/1992 Hallett 374/156
- 5,577,724 A 11/1996 Gandolfo
- D477,237 S * 7/2003 Heath D10/57
- D498,802 S 11/2004 Chang
- D510,404 S 10/2005 Thompson
- D512,481 S 12/2005 Thompson
- D517,643 S 3/2006 Thompson

FIG. 4 is a left side view of the floating thermometer
illustrated in FIG. 1; and,

FIG. 5 is a right side view of the floating thermometer
illustrated in FIG. 1.

The portion of the article depicted in broken lines is for
illustrative purposes only and forms no part of the claimed
design.

1 Claim, 5 Drawing Sheets



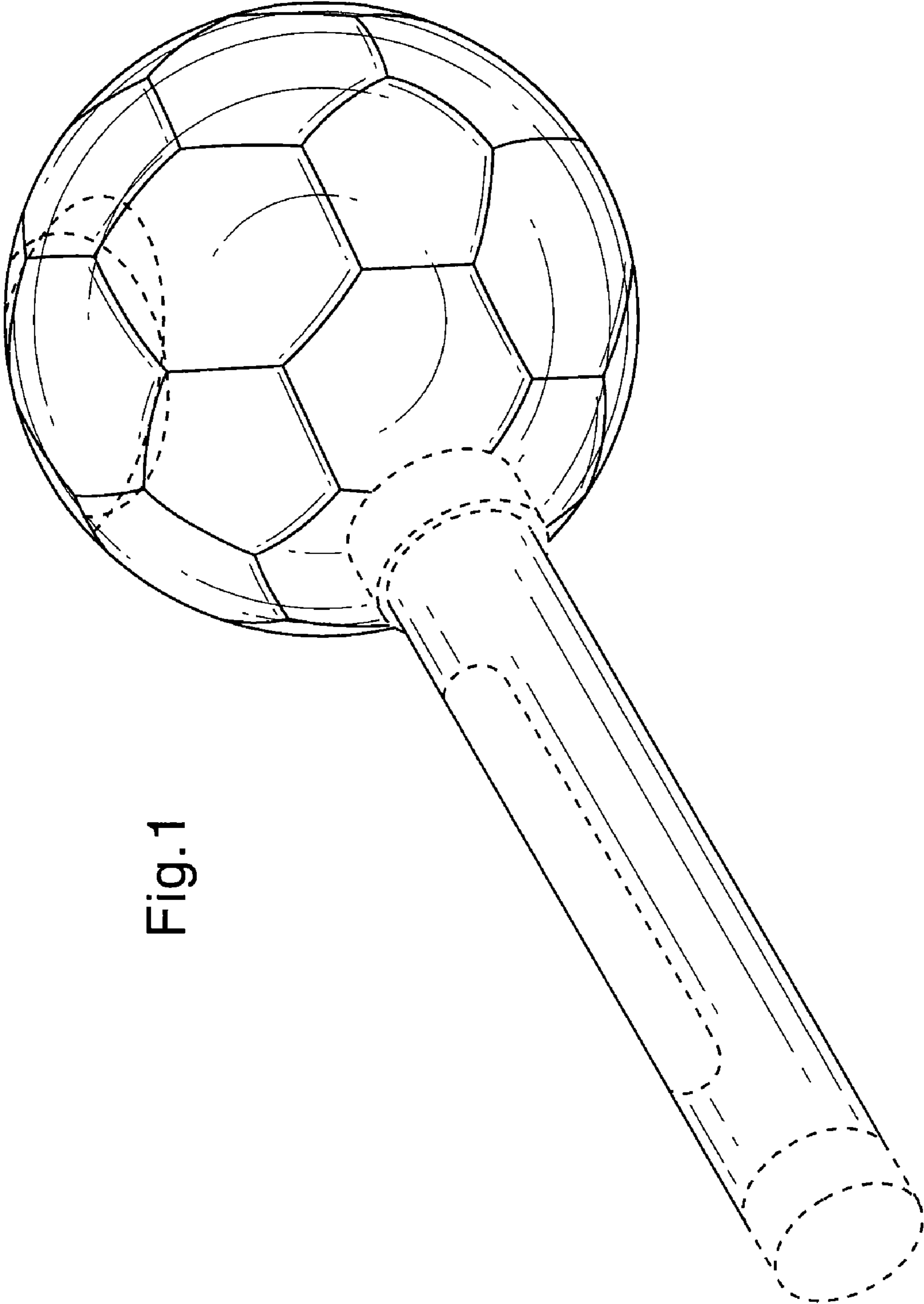


Fig. 1

Fig.2

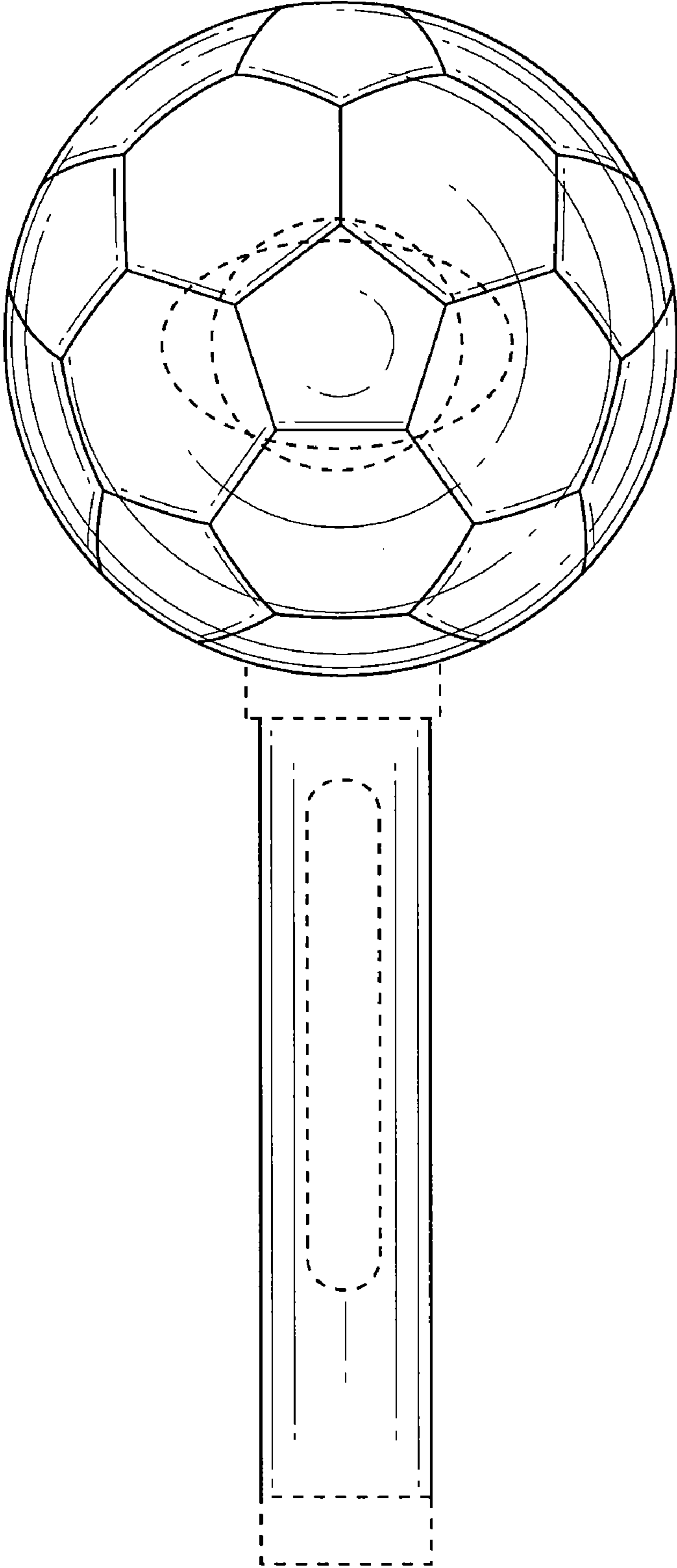


Fig.3



Fig.4

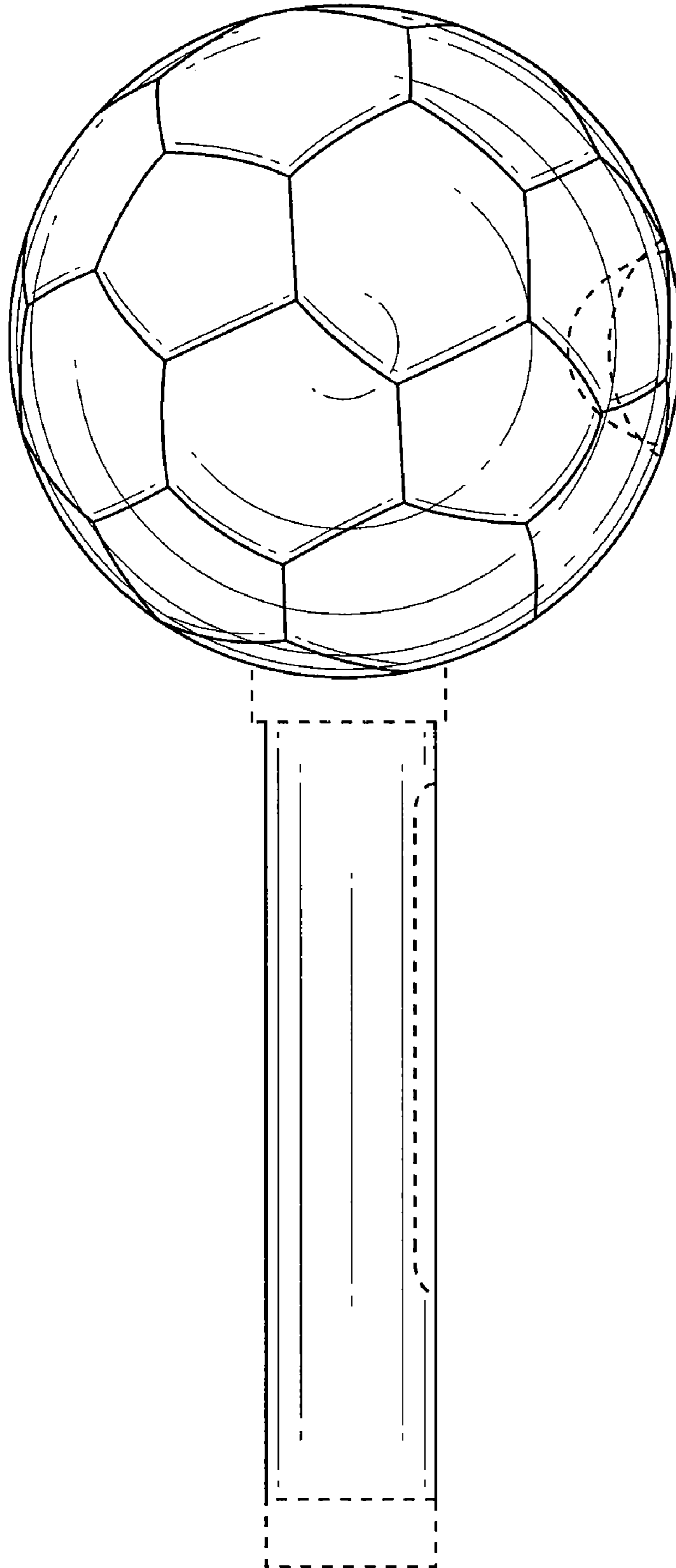


Fig.5

