



US00D553517S

(12) **United States Design Patent**  
**Thompson**

(10) **Patent No.:** **US D553,517 S**

(45) **Date of Patent:** **\*\* Oct. 23, 2007**

(54) **FLOATING THERMOMETER**  
(75) Inventor: **Aaron Thompson**, Cooper City, FL  
(US)

D518,142 S 3/2006 Thompson  
D518,554 S 4/2006 Thompson  
D518,870 S 4/2006 Thompson  
D526,043 S 8/2006 Thompson  
D526,382 S 8/2006 Thompson

(73) Assignee: **Swimways Corporation**, Virginia  
Beach, VA (US)

\* cited by examiner

(\*\*) Term: **14 Years**

*Primary Examiner*—Antoine D. Davis  
(74) *Attorney, Agent, or Firm*—Cooley Godward Kronish  
LLP

(21) Appl. No.: **29/248,057**

(22) Filed: **Jul. 27, 2006**

(57) **CLAIM**

(51) **LOC (8) Cl.** ..... **10-04**

The ornamental design for a floating thermometer, as shown  
and described.

(52) **U.S. Cl.** ..... **D10/57**

(58) **Field of Classification Search** ..... D10/57;  
4/496, 541, 542, 543, 544; 204/400, 420,  
204/433, 153.1, 153.21; 374/156, 194, 208,  
374/109, 136, 170, 142, 102, 141

**DESCRIPTION**

See application file for complete search history.

FIG. 1 is a perspective view of a new design for a floating  
thermometer;

(56) **References Cited**

FIG. 2 is a front view of the floating thermometer illustrated  
in FIG. 1;

U.S. PATENT DOCUMENTS

FIG. 3 is a top view of the floating thermometer illustrated  
in FIG. 1;

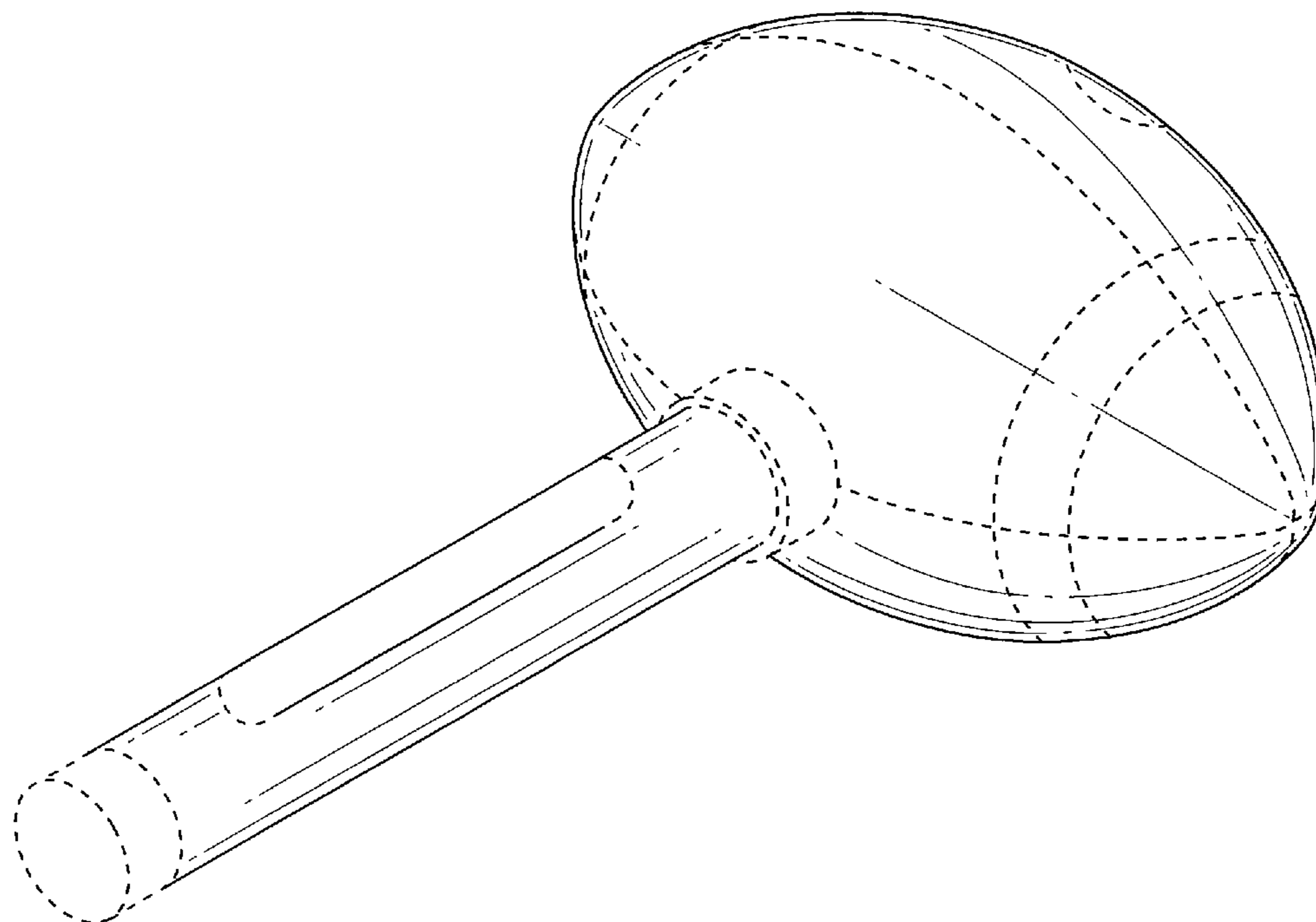
- 3,873,446 A \* 3/1975 Campbell ..... 374/141
- D300,908 S \* 5/1989 Chan ..... D10/57
- D312,216 S \* 11/1990 Nadzak et al. .... D10/57
- D312,975 S \* 12/1990 Scheurer ..... D10/57
- 5,152,610 A \* 10/1992 Hallett ..... 374/156
- 5,577,724 A 11/1996 Gandolfo
- D477,237 S \* 7/2003 Heath ..... D10/57
- D498,802 S 11/2004 Chang
- D510,404 S 10/2005 Thompson
- D512,481 S 12/2005 Thompson
- D517,643 S 3/2006 Thompson

FIG. 4 is a left side view of the floating thermometer  
illustrated in FIG. 1; and,

FIG. 5 is a right side view of the floating thermometer  
illustrated in FIG. 1.

The portion of the article depicted in broken lines is for  
illustrative purposes only and forms no part of the claimed  
design.

**1 Claim, 5 Drawing Sheets**



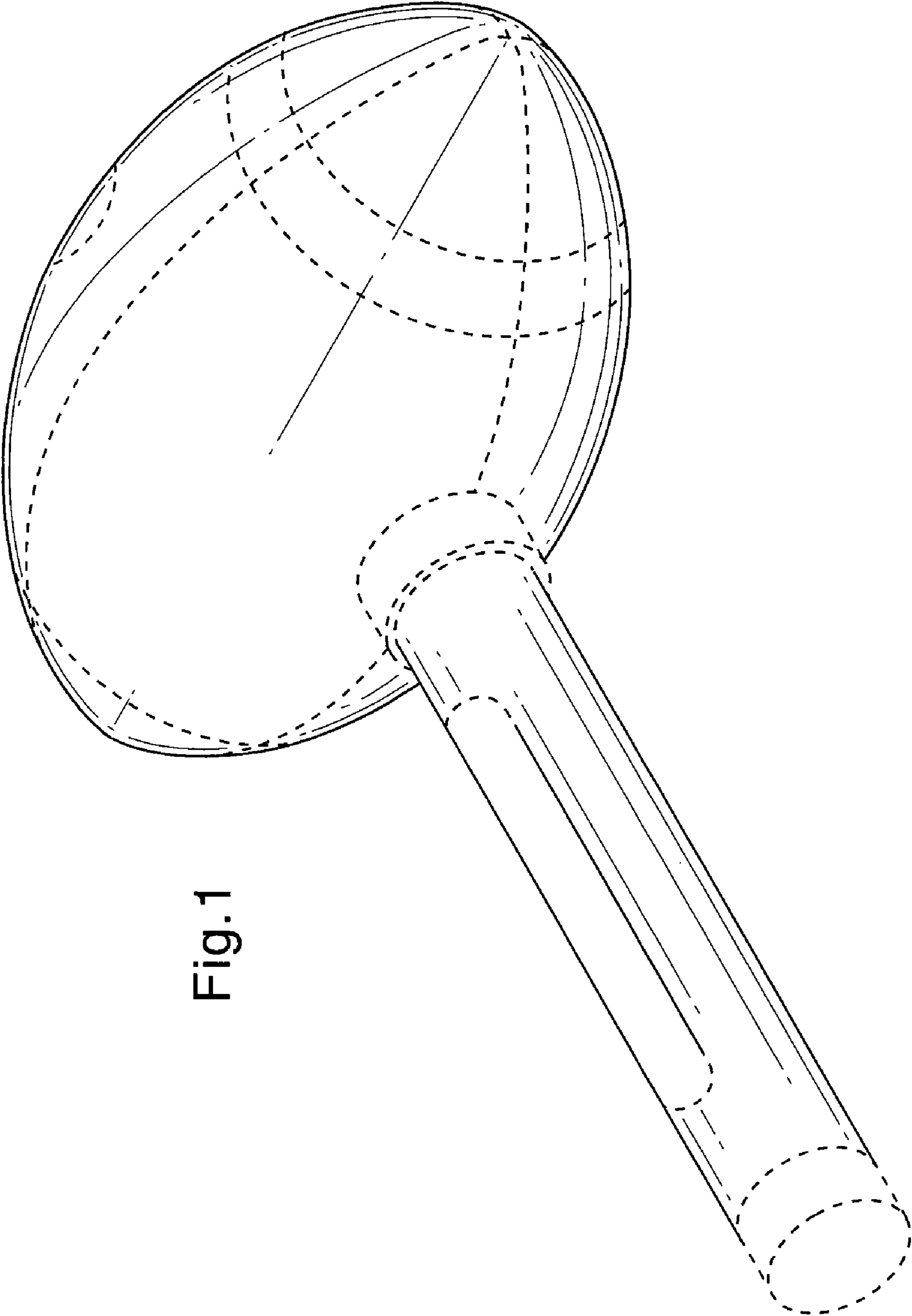


Fig.1

Fig.2

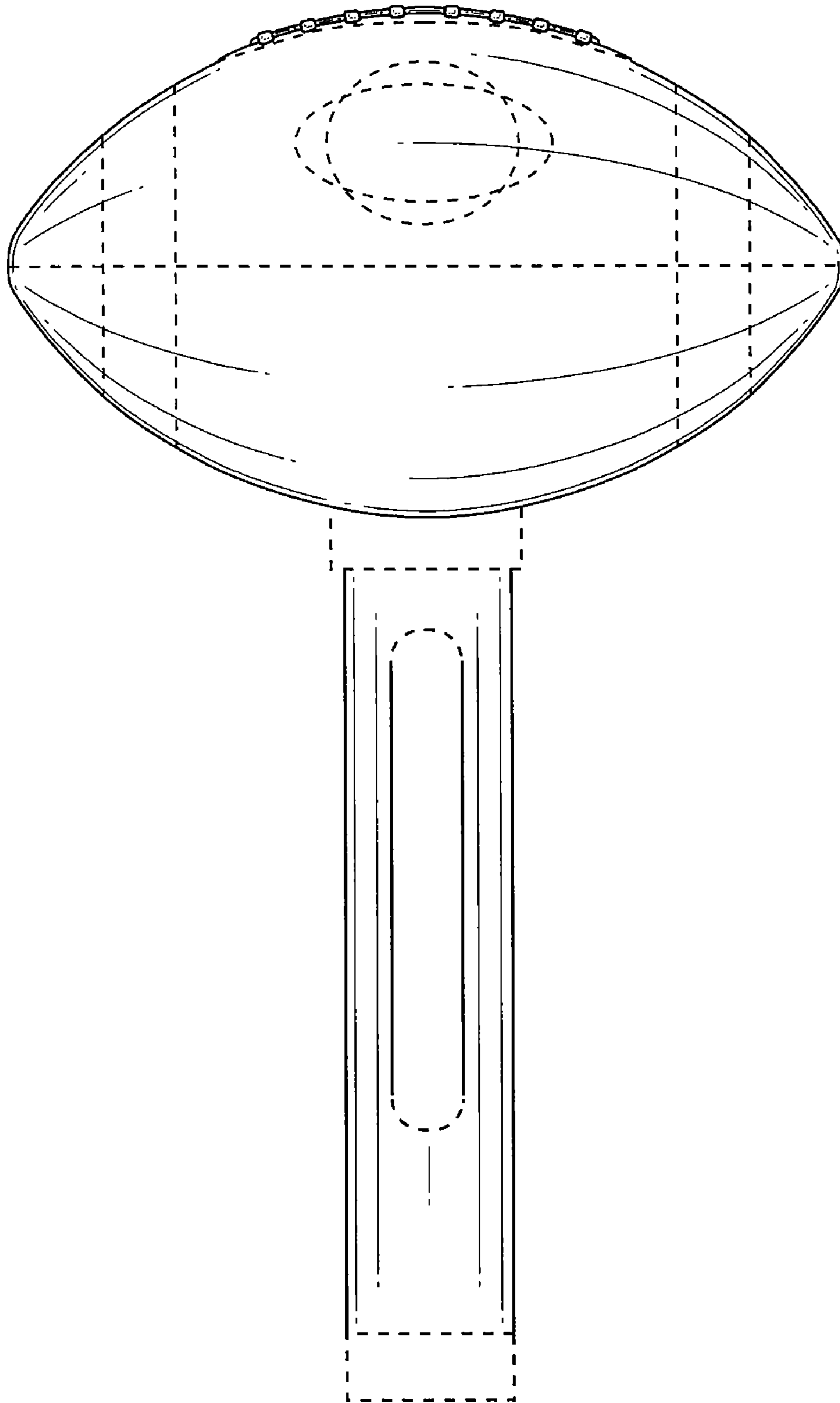


Fig.3

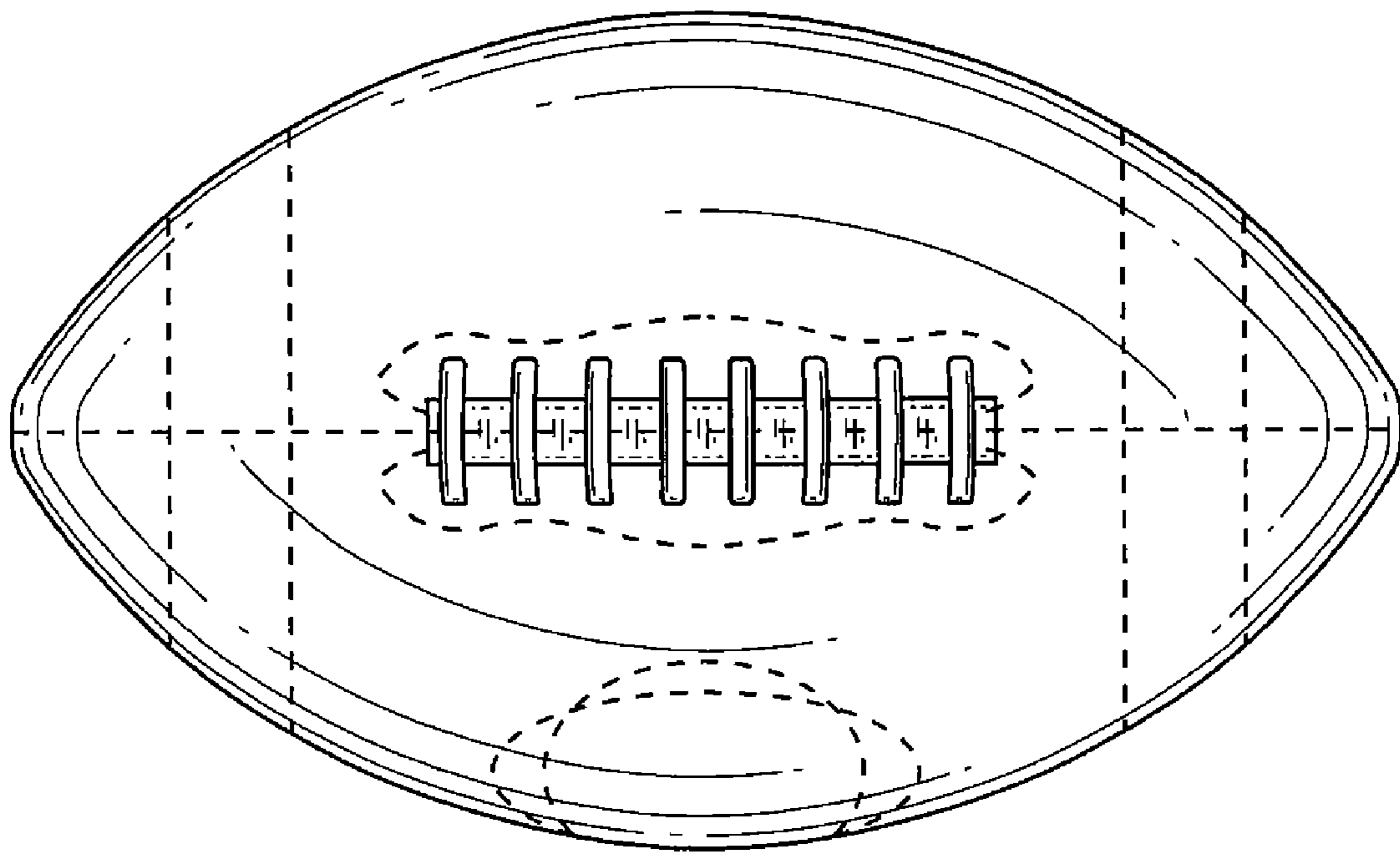


Fig.4

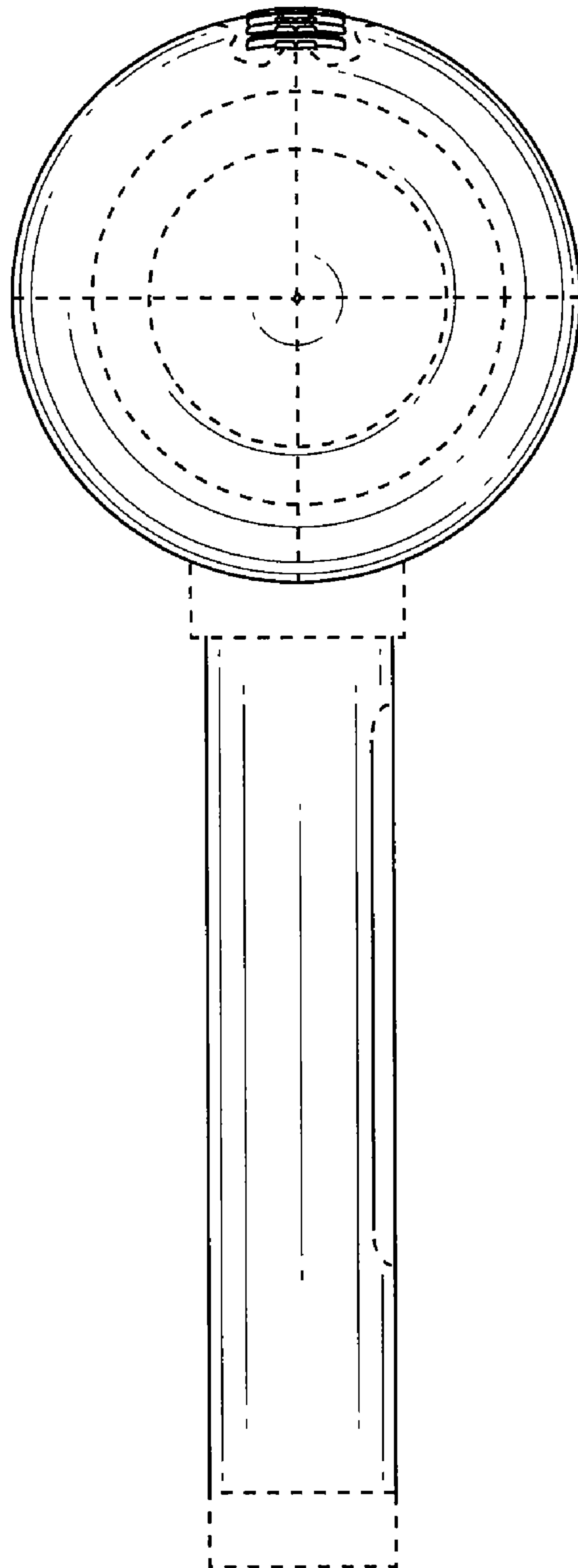


Fig.5

