



US00D553514S

(12) **United States Design Patent** (10) **Patent No.:** **US D553,514 S**
Tanaka et al. (45) **Date of Patent:** **** Oct. 23, 2007**

(54) **TIME RECORDER**

JP 2002008080 A * 1/2002
JP 2003233848 A * 8/2003

(75) Inventors: **Hideki Tanaka**, Tokyo (JP); **Yoshikazu Jimenji**, Chiba (JP)

OTHER PUBLICATIONS

(73) Assignee: **Seiko Precision, Inc.** (JP)

OfficeMax Catalog, 2003, p. 293, time clocks, [retrieved Jun. 9, 2007]. Retrieved from internet using Google Advanced catalog search, www.officemax.com.*

(**) Term: **14 Years**

Official Japanese Gazette; Japanese Design Registration No. D1177696, published Jun. 23, 2003 (5 pages).

(21) Appl. No.: **29/265,209**

Official Japanese Gazette; Japanese Design Registration No. D1194918, published Jan. 19, 2004 (4 pages).

(22) Filed: **Aug. 28, 2006**

Official Japanese Gazette; Japanese Design Registration No. D1208698, published Jun. 14, 2004 (5 pages).

(30) **Foreign Application Priority Data**

Official Japanese Gazette; Japanese Design Registration No. D661623, published Sep. 17, 1985 (1 page).

Mar. 1, 2006 (JP) D2006-005131

Official Japanese Gazette; Japanese Design Registration No. D716411, published Oct. 29, 1987 (1 page).

(51) **LOC (8) Cl.** **10-03**

Official Japanese Gazette; Japanese Design Registration No. D713955, published Sep. 30, 1987 (2 pages).

(52) **U.S. Cl.** **D10/41**

(58) **Field of Classification Search** D10/41,
D10/40, 15; 235/377; 346/20, 80-88, 95,
346/96; 368/107, 110-113

(Continued)

See application file for complete search history.

Primary Examiner—Lucy Lieberman

(74) *Attorney, Agent, or Firm*—SAIDMAN DesignLaw Group

(56) **References Cited**

(57) **CLAIM**

U.S. PATENT DOCUMENTS

The ornamental design for a time recorder, as shown and described.

D69,950 S *	4/1926	Lake	D10/41
2,816,810 A *	12/1957	Juhas	346/83
2,981,586 A *	4/1961	Kawachi	346/82
3,611,423 A *	10/1971	Rutsche	346/86
3,942,182 A *	3/1976	Sato	346/53
4,381,511 A *	4/1983	Suzuki	346/20
4,516,138 A *	5/1985	Iwasawa et al.	346/80
D304,162 S *	10/1989	Calkins	D10/41
5,767,868 A *	6/1998	Sugiuchi et al.	346/82
D398,921 S *	9/1998	Rosen	D10/41
6,560,166 B1 *	5/2003	Saito et al.	368/47
6,765,600 B2 *	7/2004	Yamagishi et al.	346/83
6,817,537 B2 *	11/2004	Watanabe et al.	235/494
2003/0025739 A1 *	2/2003	Yamagishi et al.	346/83
2003/0178497 A1 *	9/2003	Watanabe et al.	235/494

DESCRIPTION

FIG. 1 is a perspective view of a time recorder;

FIG. 2 is a front view thereof;

FIG. 3 is a rear view thereof;

FIG. 4 is a right side view thereof;

FIG. 5 is a left side view thereof;

FIG. 6 is a top plan view thereof; and,

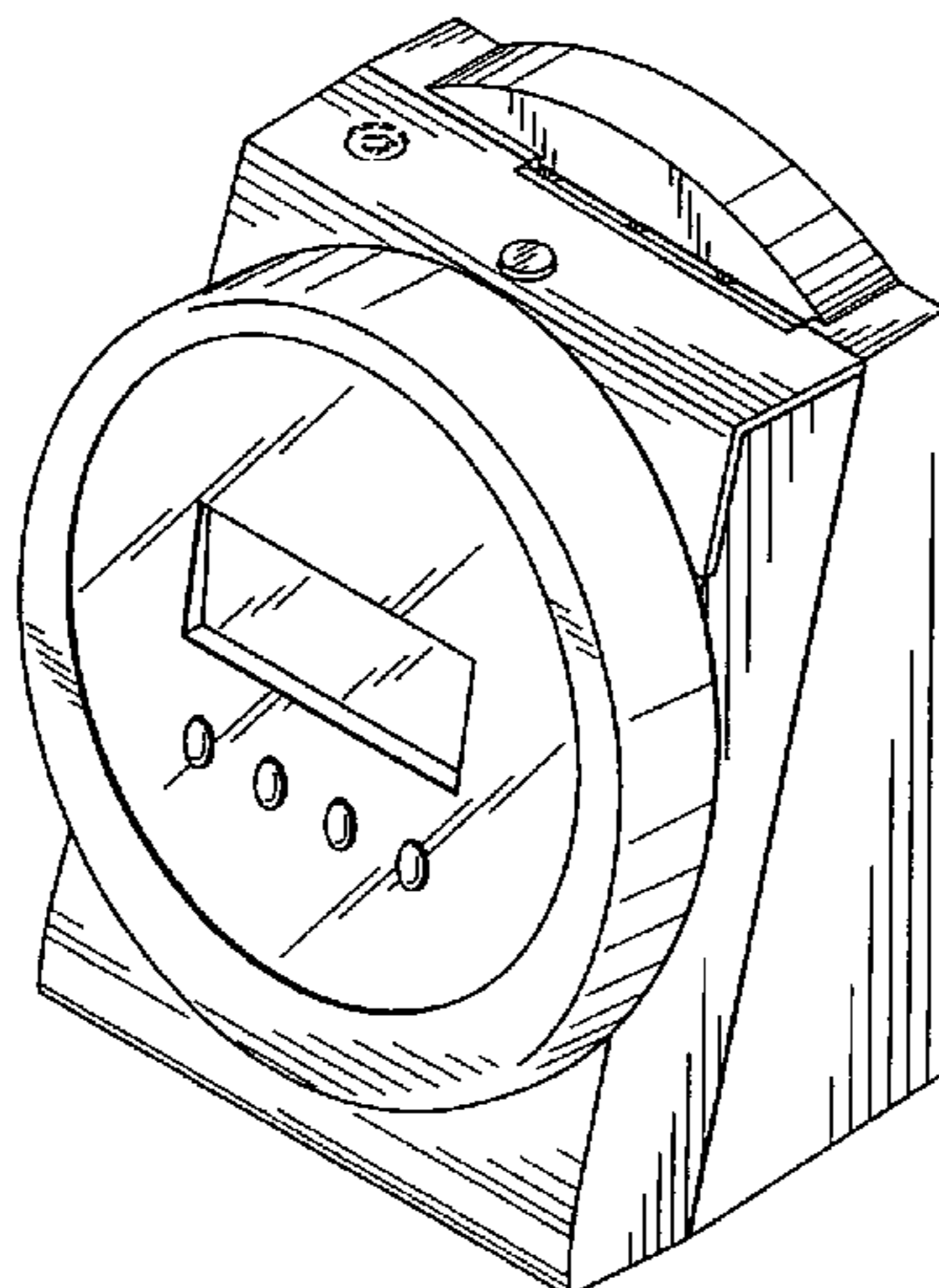
FIG. 7 is a bottom view thereof.

The broken lines shown in the views are for illustrative purpose only and form no part of claimed design.

FOREIGN PATENT DOCUMENTS

JP 06111090 A * 4/1994
JP 09007019 * 1/1997

1 Claim, 3 Drawing Sheets



OTHER PUBLICATIONS

- Official Japanese Gazette; Japanese Design Registration No. D713955-01, published Feb. 21, 1989 (2 pages).
Official Japanese Gazette; Japanese Design Registration No. D787951, published May. 15, 1990 (2 pages).
Official Japanese Gazette; Japanese Design Registration No. D819195, published Sep. 27, 1991 (2 pages).
Official Japanese Gazette; Japanese Design Registration No. D792517, Jul. 20, 1990 (2 pages).
Official Japanese Gazette; Japanese Design Registration No. D895971, published Apr. 12, 1994 (2 pages).
Official Japanese Gazette; Japanese Design Registration No. D928842, published Jun. 27, 1995 (1 page).
Official Japanese Gazette; Japanese Design Registration No. D946450, published Feb. 13, 1996 (2 copies).
- Official Japanese Gazette; Japanese Design Registration No. D946449, published Feb. 13, 1996 (2 pages).
Official Japanese Gazette; Japanese Design Registration No. D994875, published Nov. 11, 1997 (2 pages).
Official Japanese Gazette; Japanese Design Registration No. D1047622, published Aug. 30, 1999 (2 pages).
Official Japanese Gazette; Japanese Design Registration No. D1079218, published Jul. 17, 2000 (5 pages).
Official Japanese Gazette; Japanese Design Registration No. D1079219, published Jul. 17, 2000 (5 pages).
LATHEM, 7000E Electronic Time Recorder, Lathem Time brochure, 2002 (2 pages).
- * cited by examiner

Fig.1

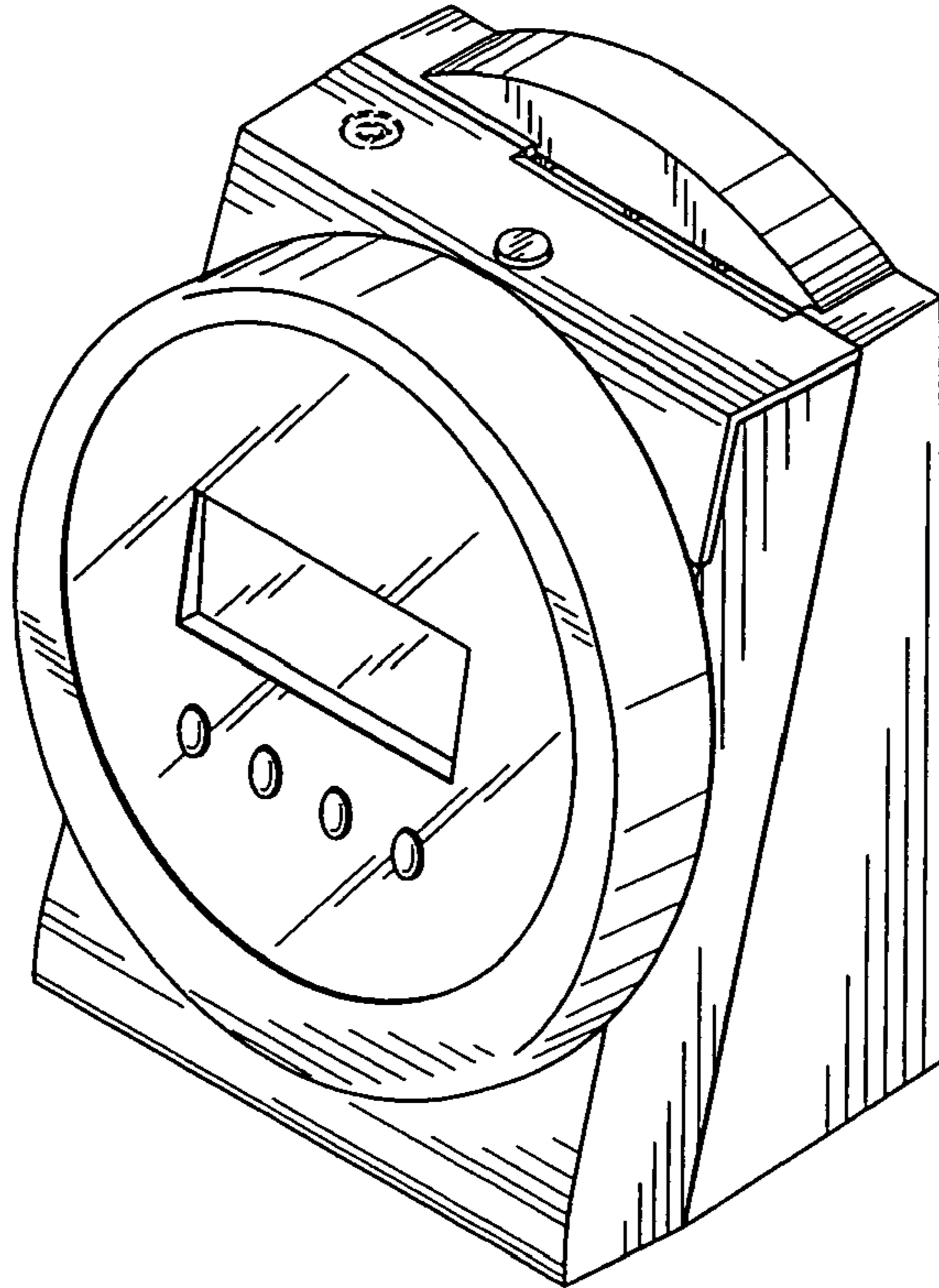


Fig.2

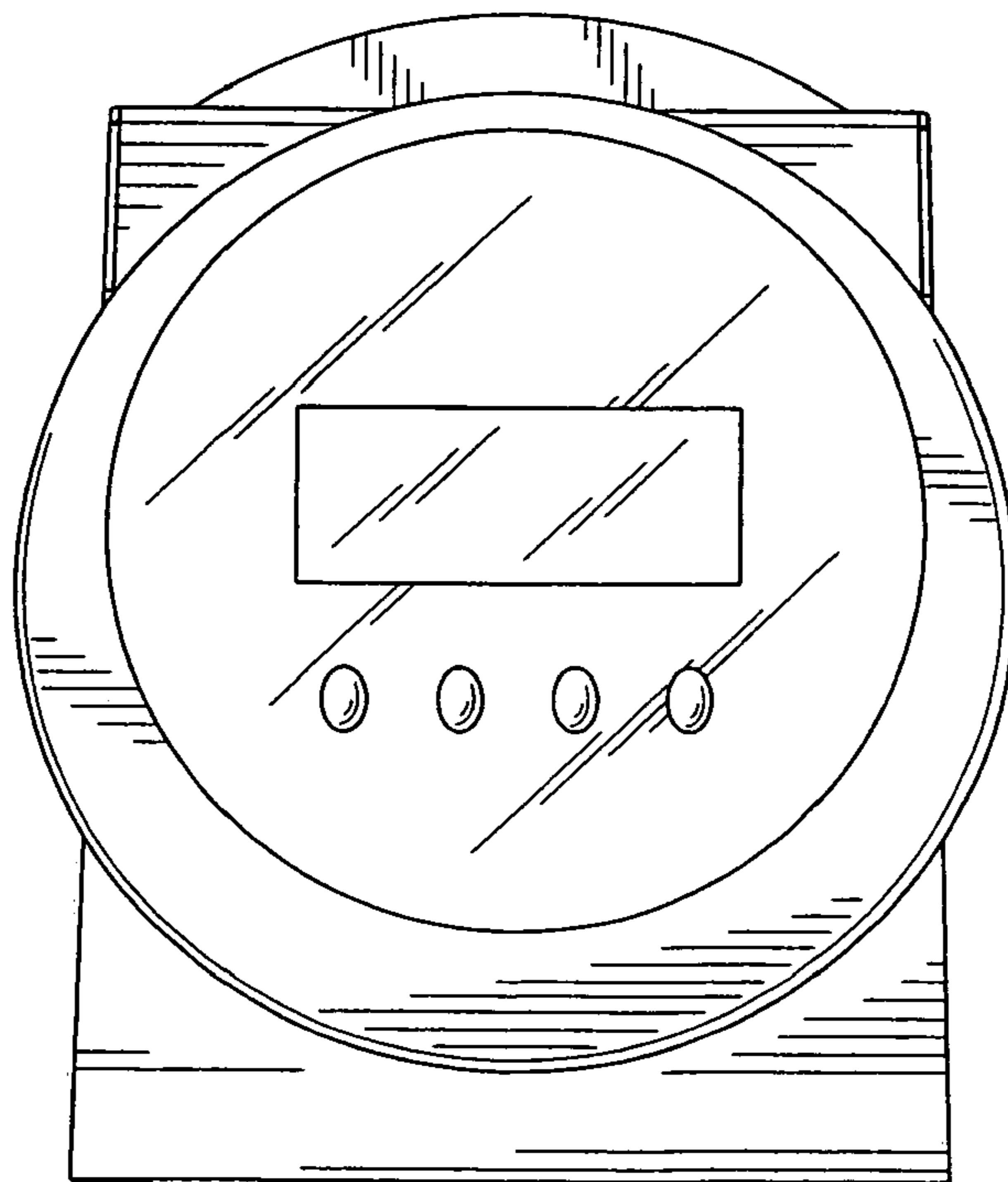


Fig.3

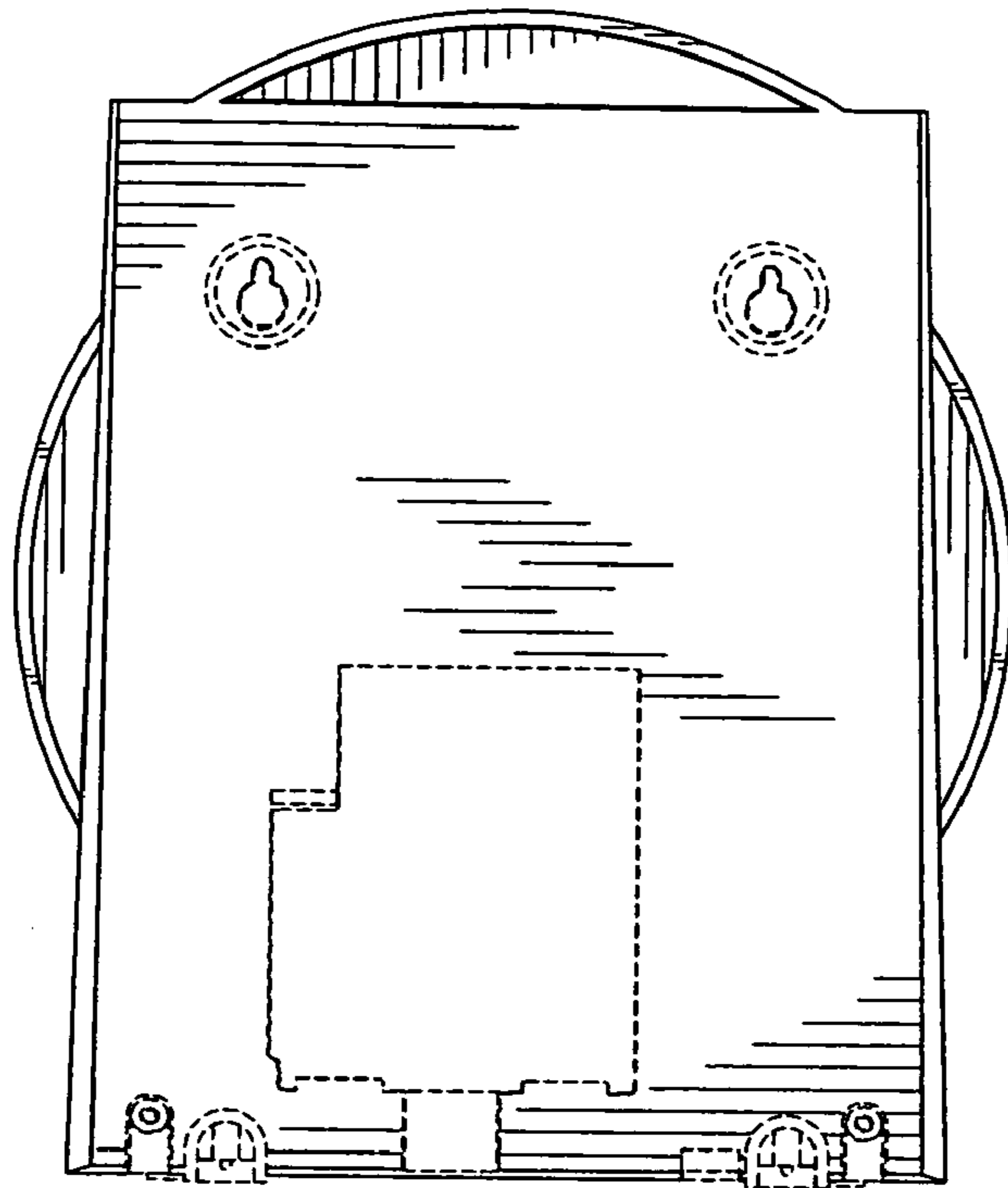


Fig.4

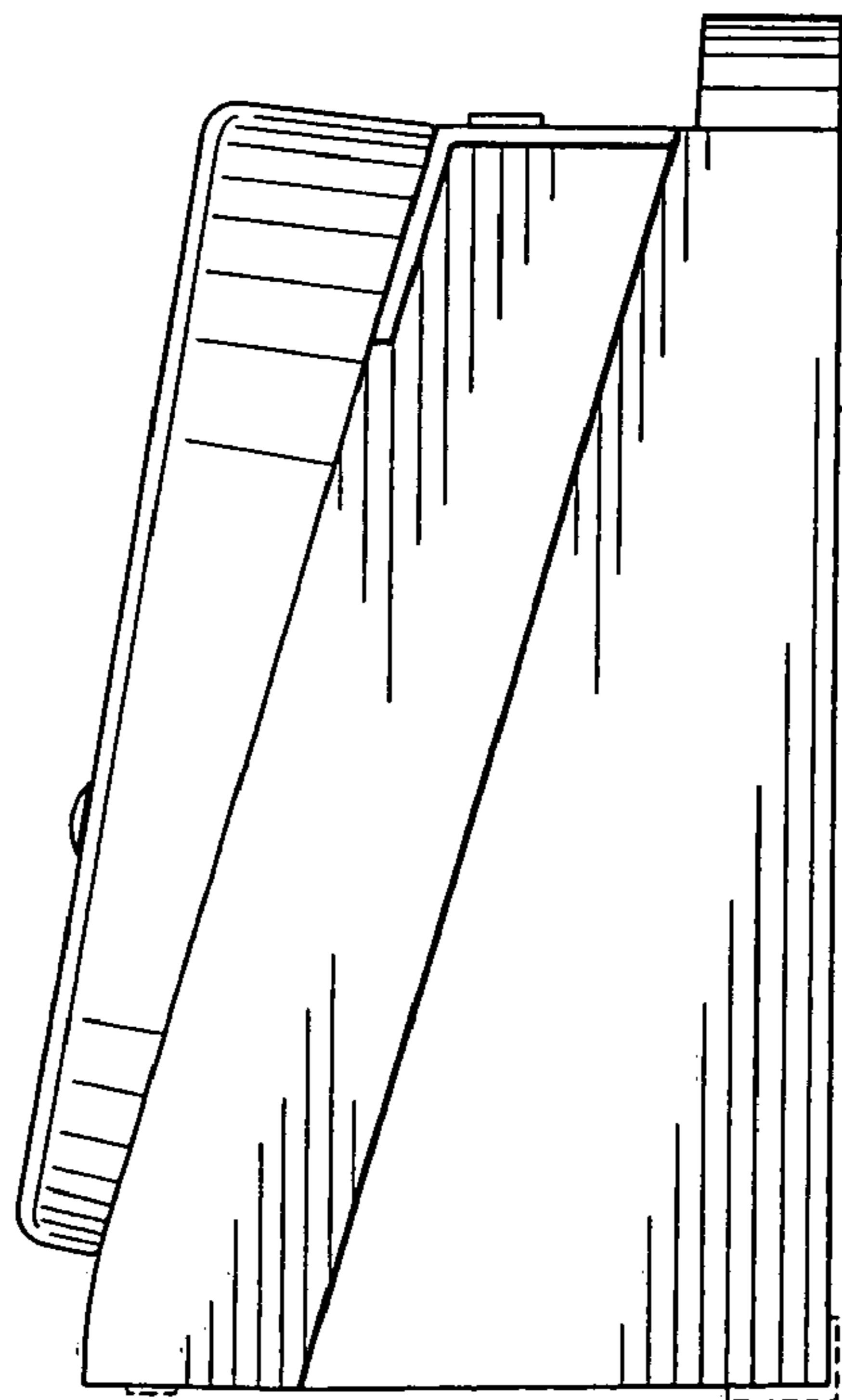


Fig.5

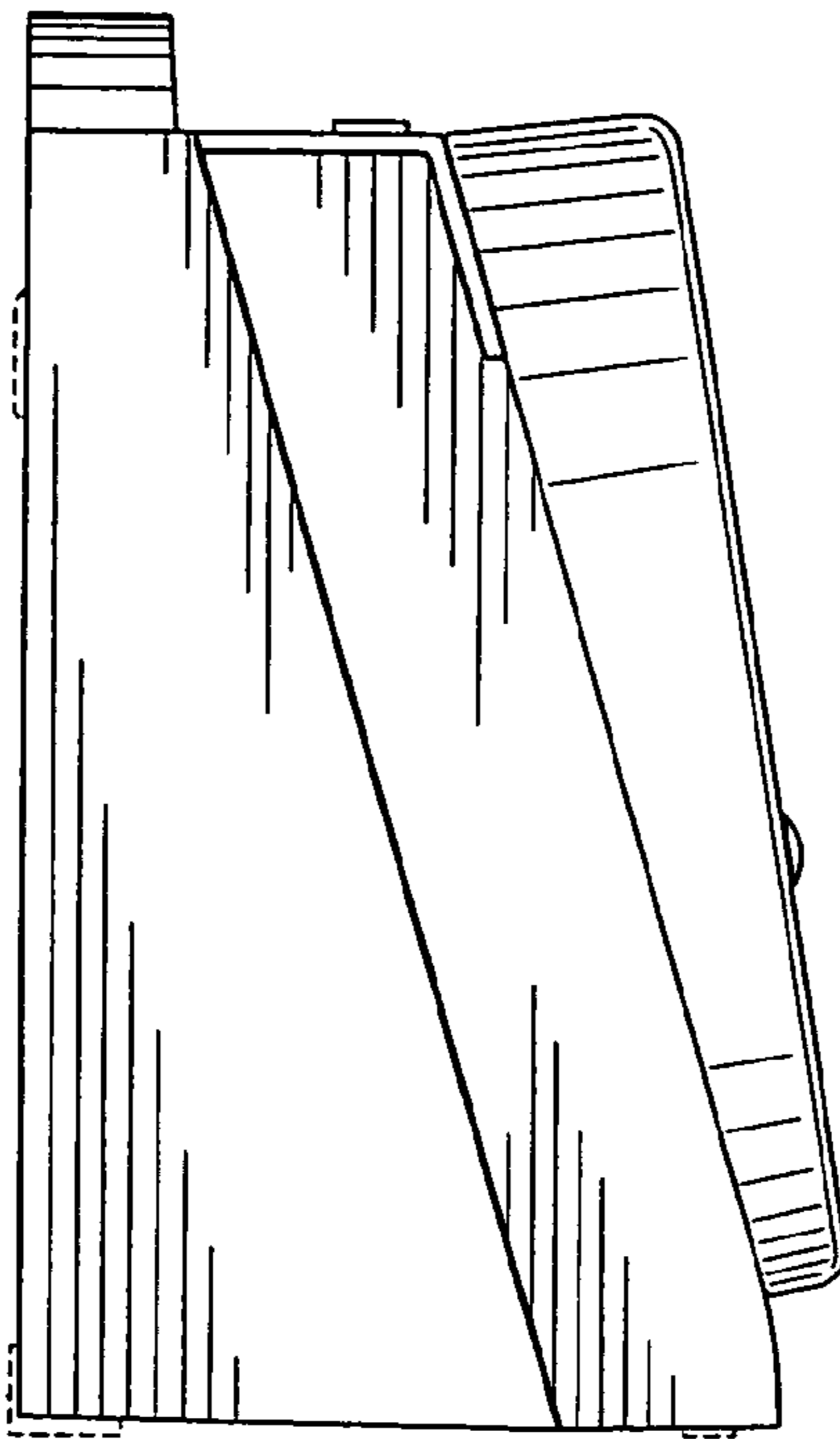


Fig.6

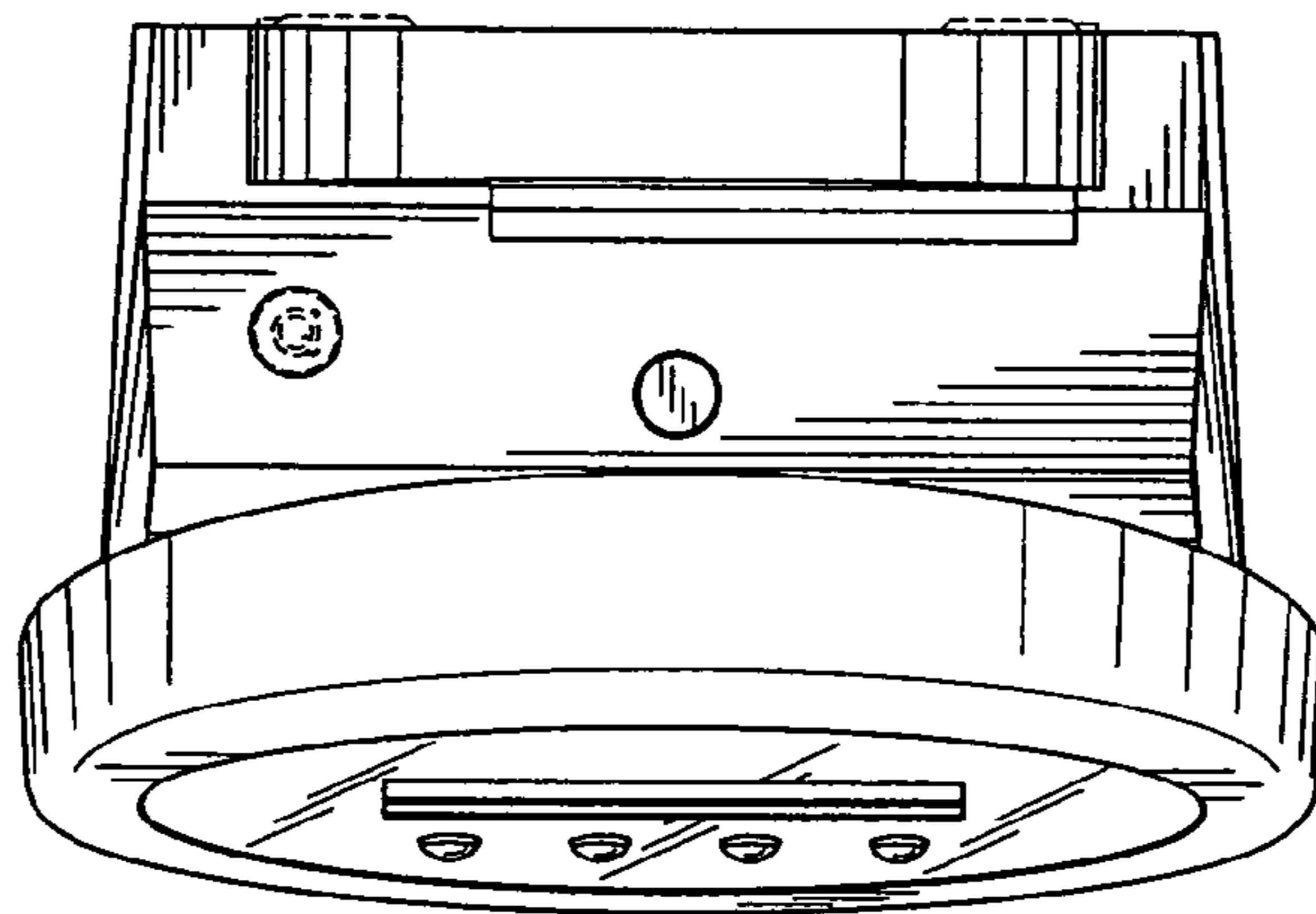


Fig.7

