



US00D553510S

(12) **United States Design Patent**  
**Durkee**

(10) **Patent No.:** **US D553,510 S**

(45) **Date of Patent:** **\*\* Oct. 23, 2007**

(54) **FLOOR CLOCK**

(76) Inventor: **Douglas Durkee**, 6131 E. Bend Rd.,  
Burlington, KY (US) 41005

(\*\*) Term: **14 Years**

(21) Appl. No.: **29/268,354**

(22) Filed: **Nov. 3, 2006**

(51) **LOC (8) Cl.** ..... **10-01**

(52) **U.S. Cl.** ..... **D10/16**

(58) **Field of Classification Search** ..... D10/1-29,  
D10/122-132; 368/276-278, 316, 317, 223,  
368/232, 80, 228, 285

See application file for complete search history.

(56) **References Cited**

**U.S. PATENT DOCUMENTS**

|           |     |        |                 |       |         |
|-----------|-----|--------|-----------------|-------|---------|
| 1,420,549 | A * | 6/1922 | Horn            | ..... | 368/203 |
| D90,791   | S * | 9/1933 | Wrench          | ..... | D10/20  |
| D315,685  | S * | 3/1991 | Kato            | ..... | D10/28  |
| D316,521  | S * | 4/1991 | Shirai          | ..... | D10/21  |
| D319,021  | S * | 8/1991 | Lee             | ..... | D10/20  |
| D319,023  | S * | 8/1991 | Kato et al.     | ..... | D10/28  |
| D324,179  | S * | 2/1992 | Mukoyama et al. | ..... | D10/28  |
| D324,180  | S * | 2/1992 | Tamura          | ..... | D10/28  |

|           |      |        |                      |       |         |
|-----------|------|--------|----------------------|-------|---------|
| D408,299  | S *  | 4/1999 | Bedol et al.         | ..... | D10/20  |
| D438,805  | S *  | 3/2001 | Leykekmhakher et al. | ....  | D10/9   |
| 6,290,387 | B1 * | 9/2001 | Chen                 | ..... | 368/317 |
| 6,942,380 | B1 * | 9/2005 | Lin                  | ..... | 368/276 |
| D514,957  | S *  | 2/2006 | Lin                  | ..... | D10/16  |
| D528,437  | S *  | 9/2006 | Durkee               | ..... | D10/16  |

\* cited by examiner

*Primary Examiner*—Lucy Lieberman

(74) *Attorney, Agent, or Firm*—Butzel Long

(57) **CLAIM**

The ornamental design for a floor clock, as shown.

**DESCRIPTION**

FIG. 1 is a perspective view of a floor clock showing my design;

FIG. 2 is a front elevational view thereof;

FIG. 3 is a right side elevational view thereof;

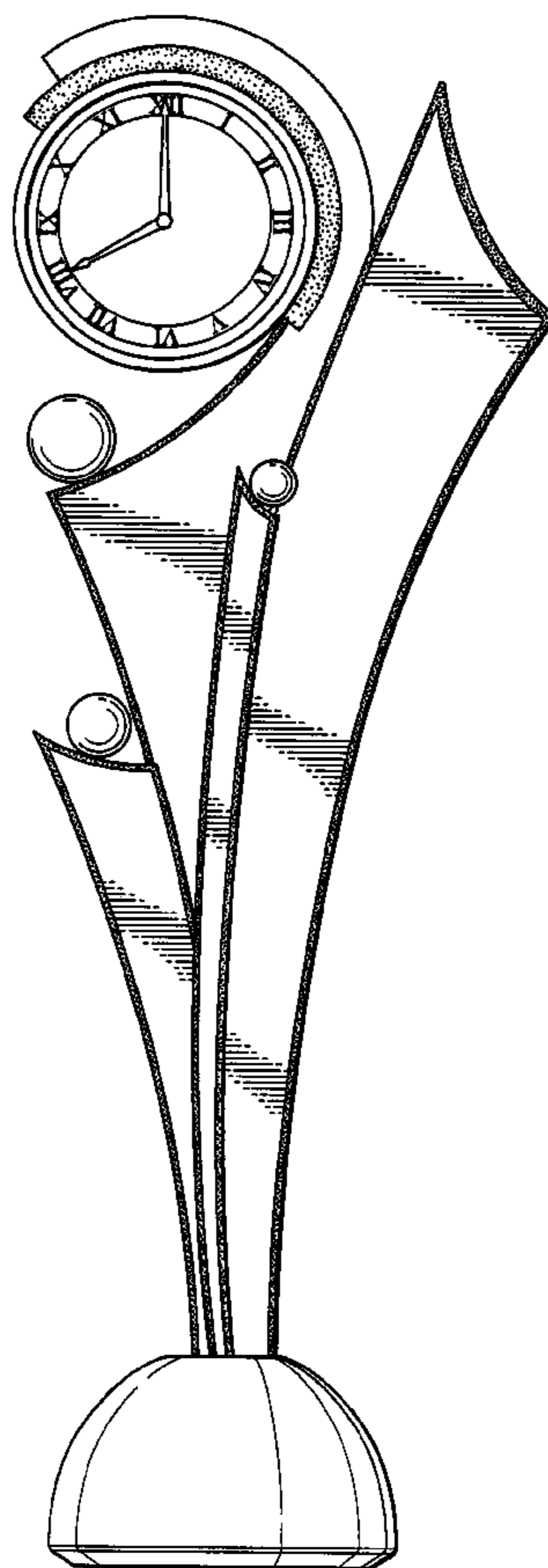
FIG. 4 is a rear elevational view thereof;

FIG. 5 is a left elevational view thereof;

FIG. 6 is a top view thereof; and,

FIG. 7 is a bottom view thereof.

**1 Claim, 4 Drawing Sheets**



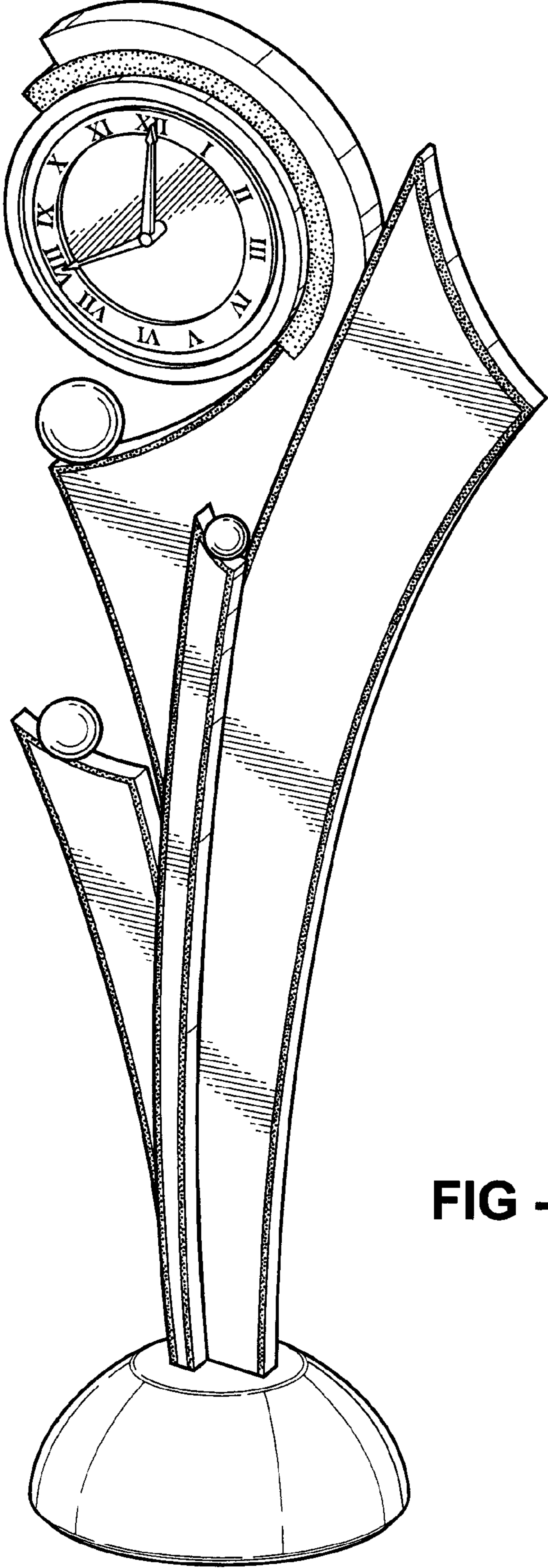
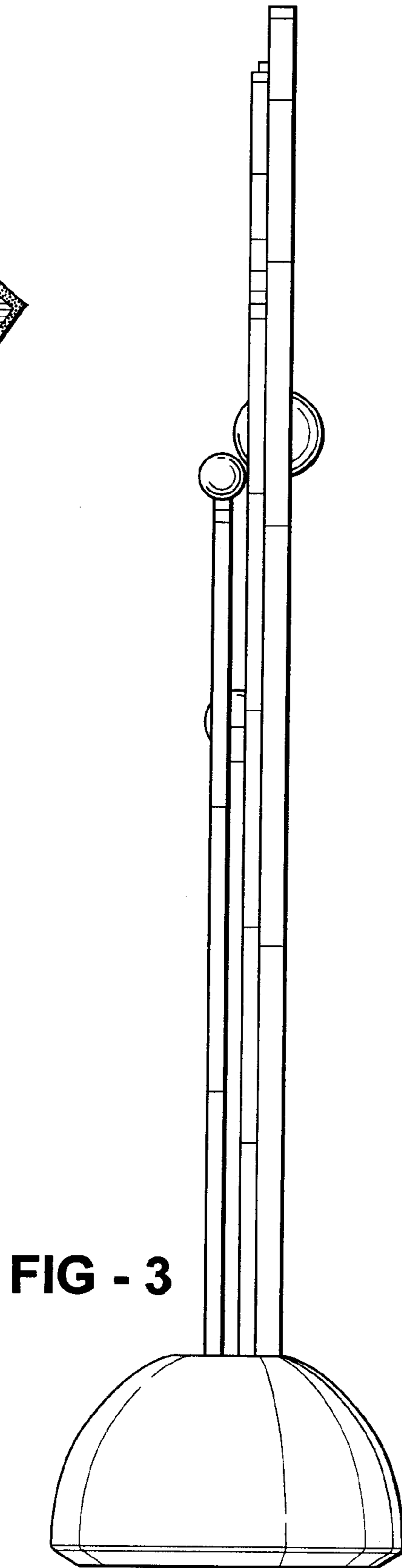
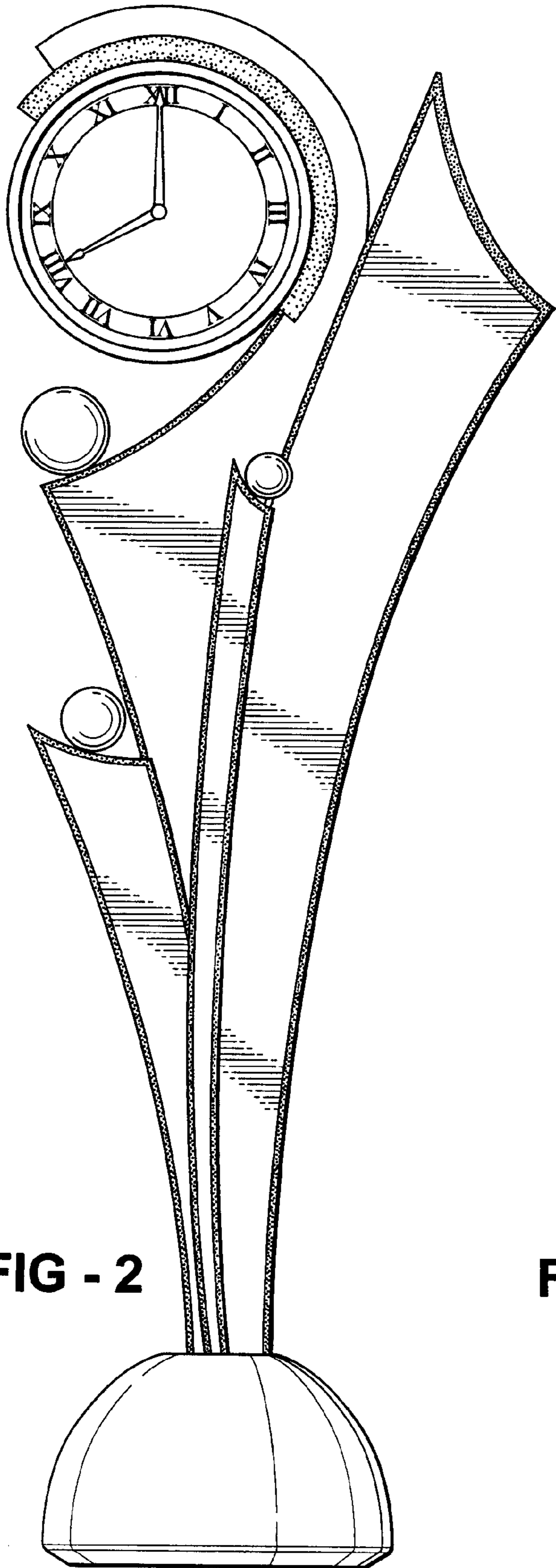
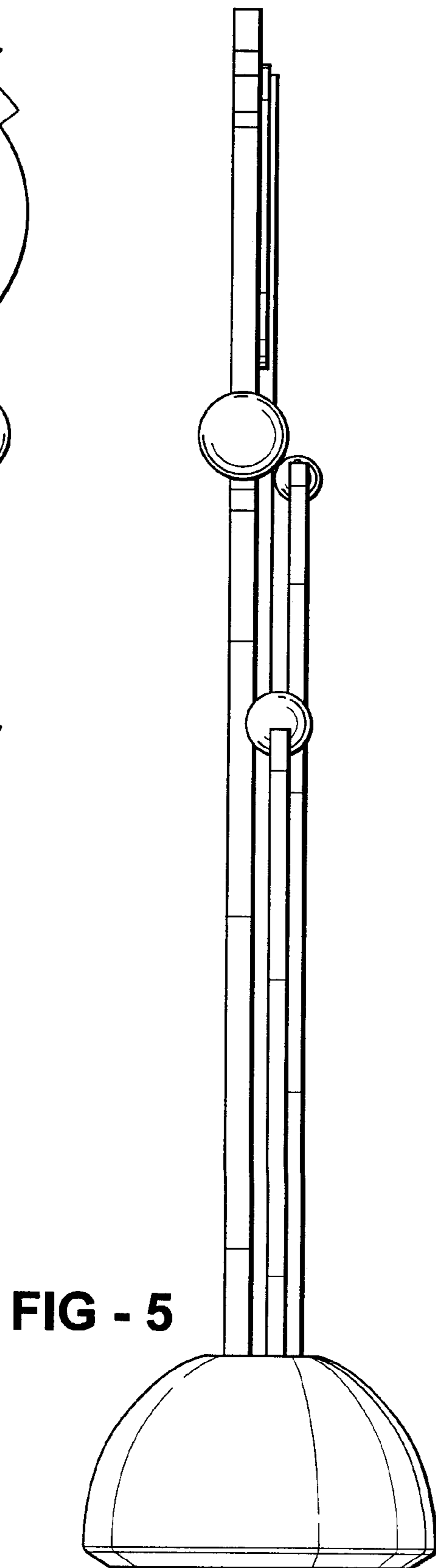
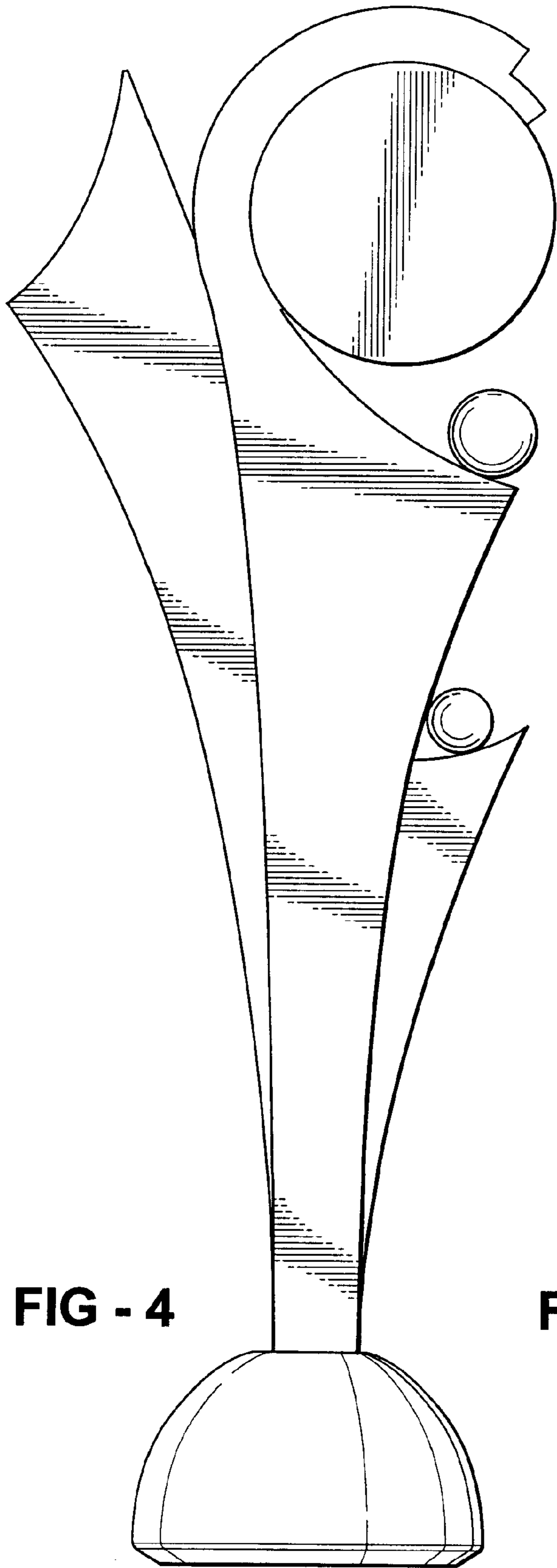
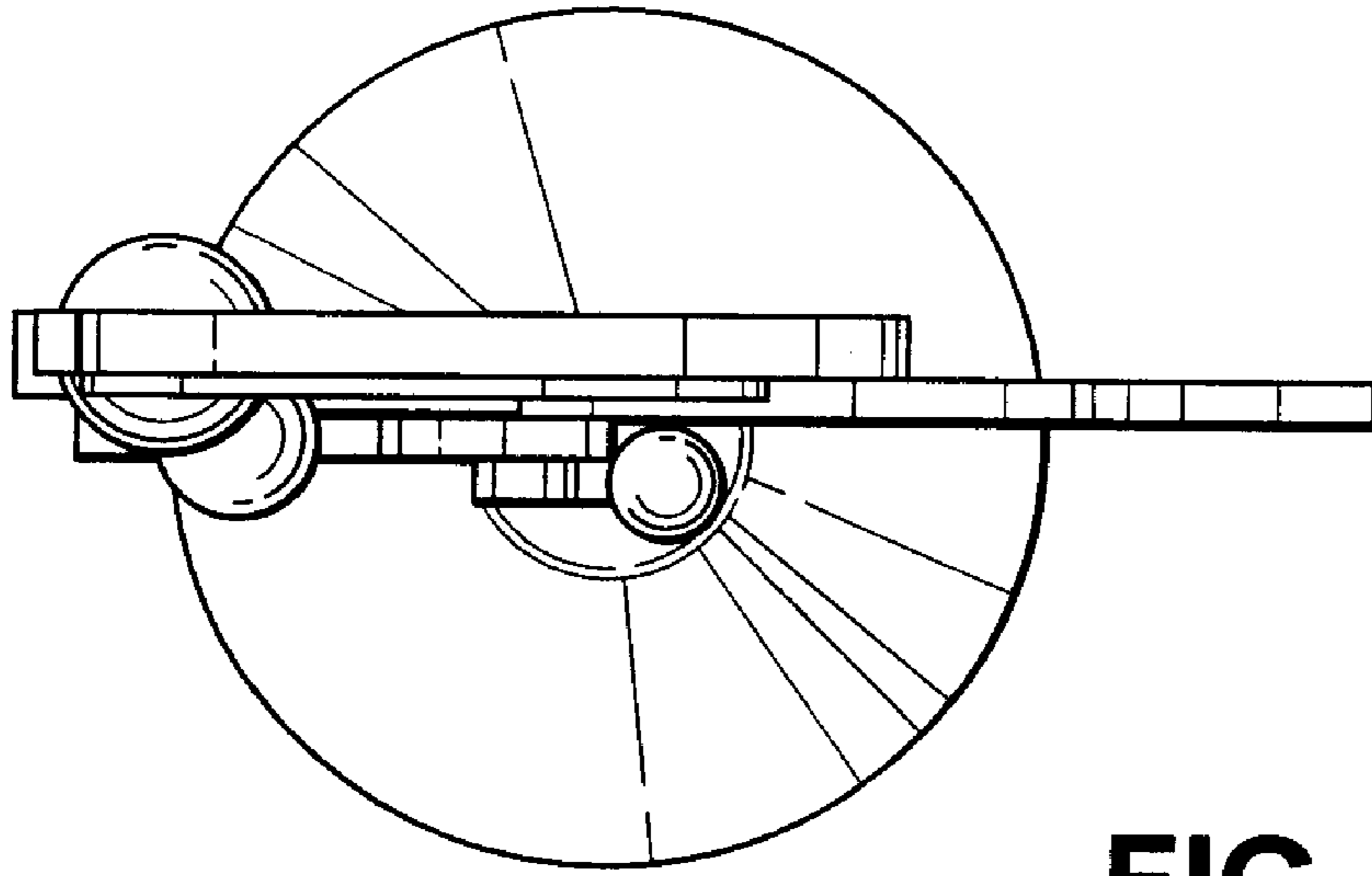


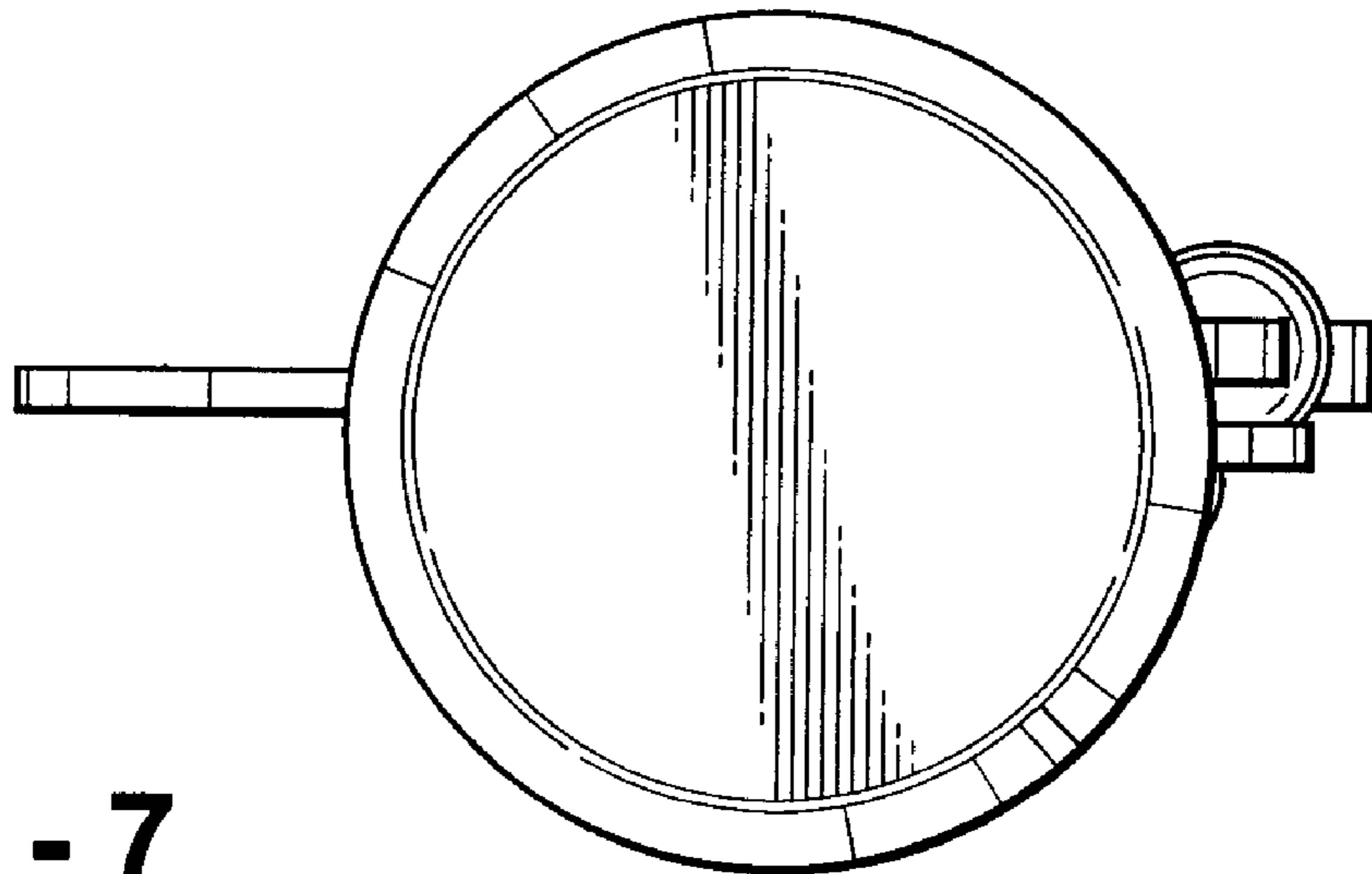
FIG - 1







**FIG - 6**



**FIG - 7**