



US00D553508S

(12) **United States Design Patent**
Lulic

(10) **Patent No.:** **US D553,508 S**

(45) **Date of Patent:** **** Oct. 23, 2007**

(54) **CLOCK**

(75) Inventor: **Damienne Lulic**, Paris (FR)

(73) Assignee: **Cartier Creation Studio SA**, Geneva (CH)

(**) Term: **14 Years**

(21) Appl. No.: **29/261,640**

(22) Filed: **Jun. 16, 2006**

(30) **Foreign Application Priority Data**

Dec. 21, 2005 (EM) 000454061-0002

(51) **LOC (8) Cl.** **10-01**

(52) **U.S. Cl.** **D10/14**

(58) **Field of Classification Search** D10/1-29,
D10/122-132; 368/276-278, 223, 232, 228,
368/316, 317, 274, 80, 285, 226, 244-247,
368/250

See application file for complete search history.

(56) **References Cited**

U.S. PATENT DOCUMENTS

- D47,946 S * 10/1915 Campbell D10/14
- D90,091 S * 6/1933 Schlenker D10/26
- D148,284 S * 1/1948 Clarke D10/14
- D191,461 S * 10/1961 Ducommun D10/14
- D210,677 S * 4/1968 Danz D10/14

- D258,120 S * 2/1981 Muramatsu D10/39
- D322,227 S * 12/1991 Warhol D10/32
- D354,232 S * 1/1995 Inora D10/18
- D359,695 S * 6/1995 Ling D10/26
- D363,881 S * 11/1995 Yung D10/18
- D457,812 S * 5/2002 Chan D10/14
- D458,850 S * 6/2002 Fong D10/18
- D529,823 S * 10/2006 Tien D10/2

* cited by examiner

Primary Examiner—Lucy Lieberman

(74) *Attorney, Agent, or Firm*—Kalow & Springut LLP

(57) **CLAIM**

The ornamental design for a clock, as shown and described.

DESCRIPTION

FIG. 1 is a front view of a clock.

FIG. 2 is a rear view thereof.

FIG. 3 is a top view of the clock shown in a different position;

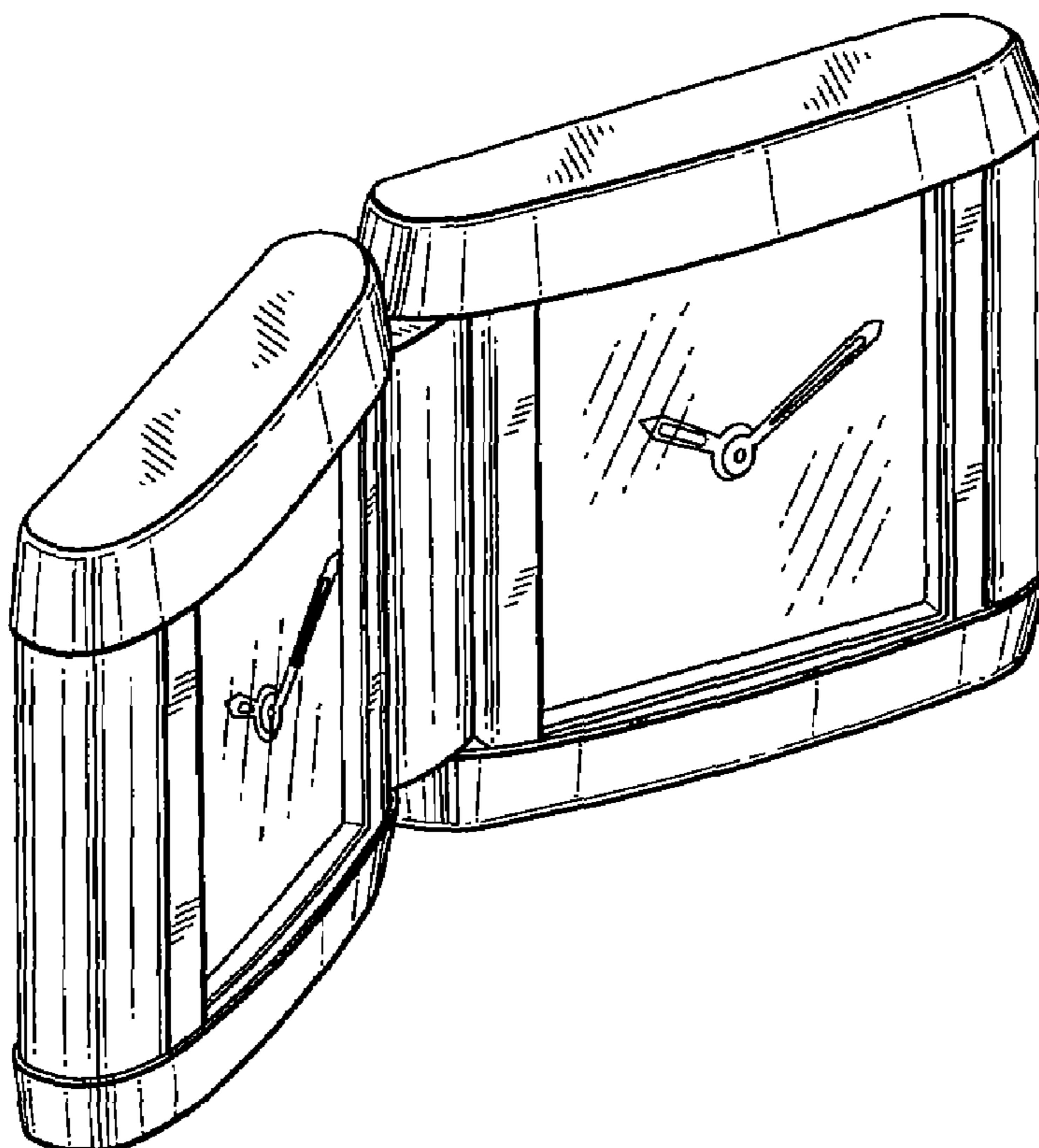
FIG. 4 is a bottom view of FIG. 1;

FIG. 5 is a perspective view thereof in a first open position.

FIG. 6 is a perspective view thereof in a second open position; and,

FIG. 7 is a perspective view thereof in a closed position.

1 Claim, 4 Drawing Sheets



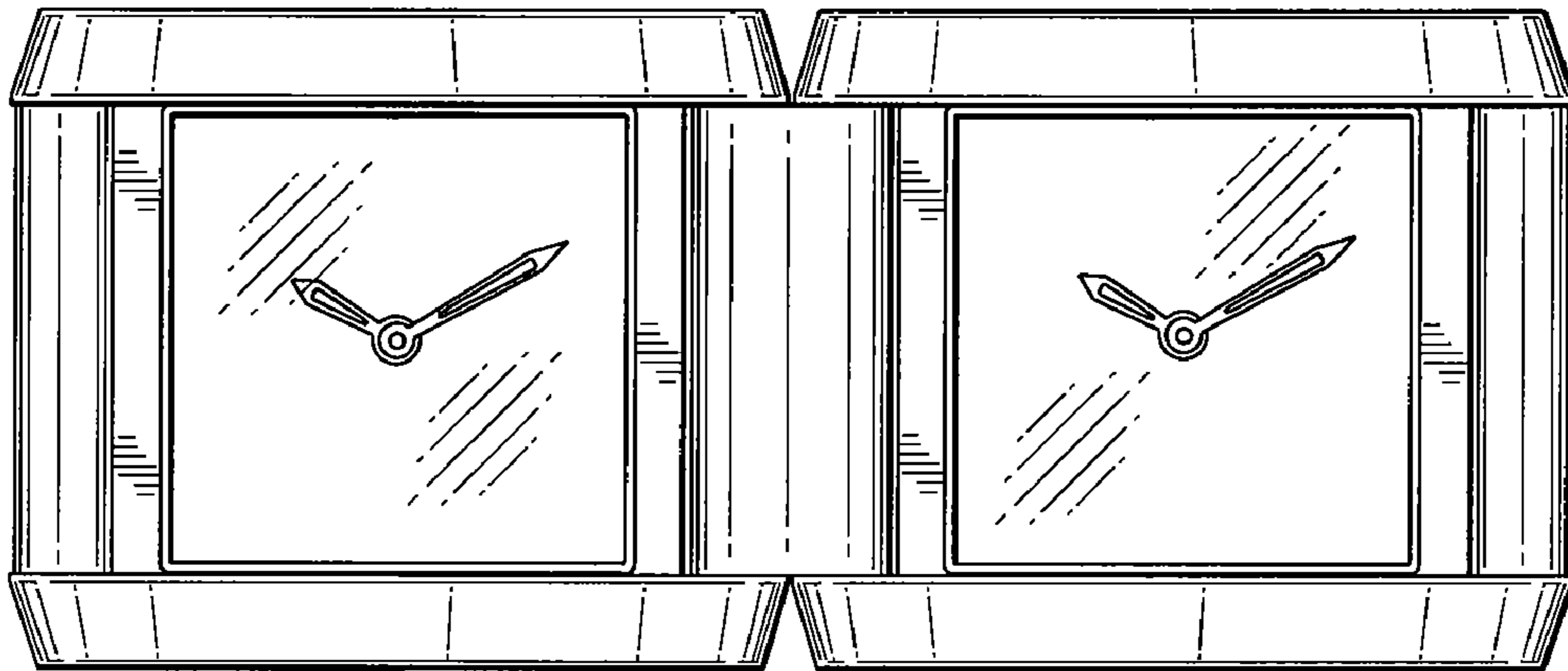


FIG. 1

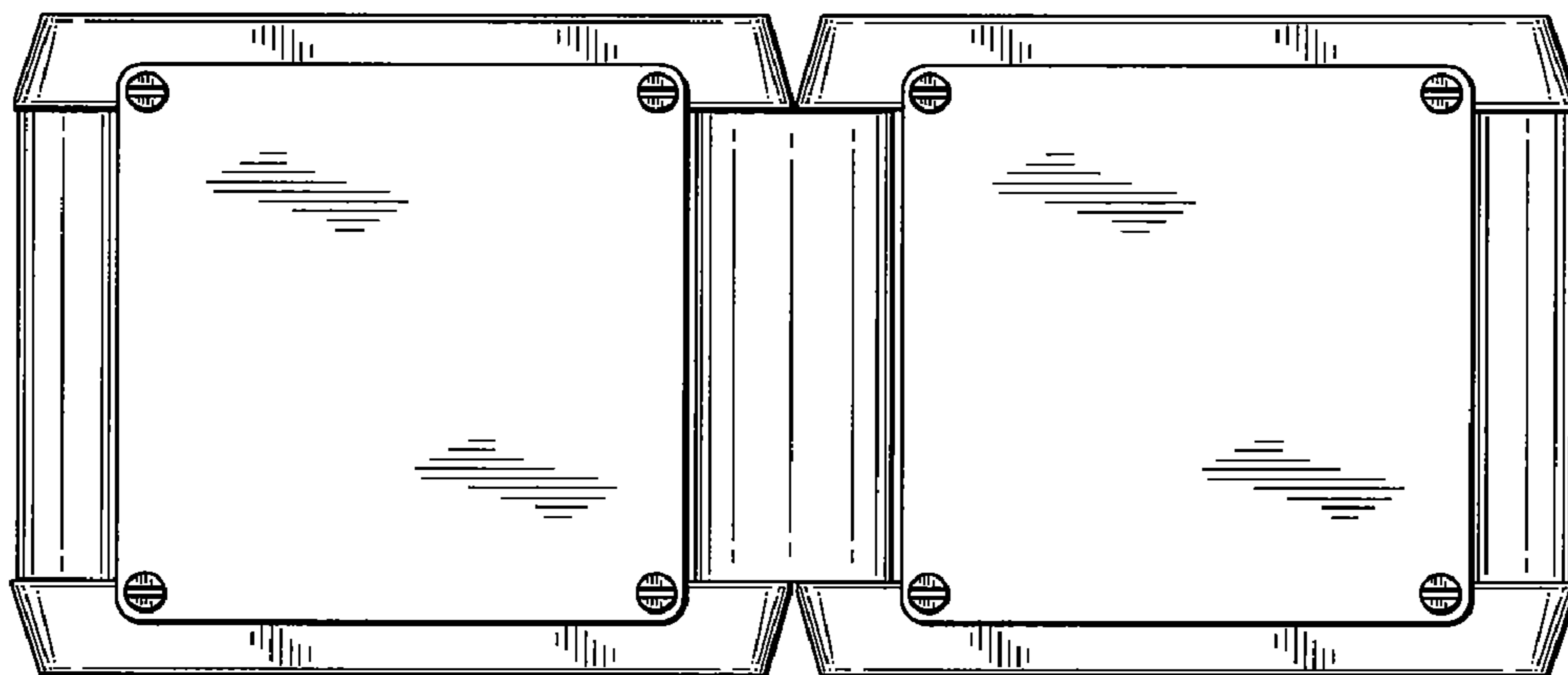


FIG. 2

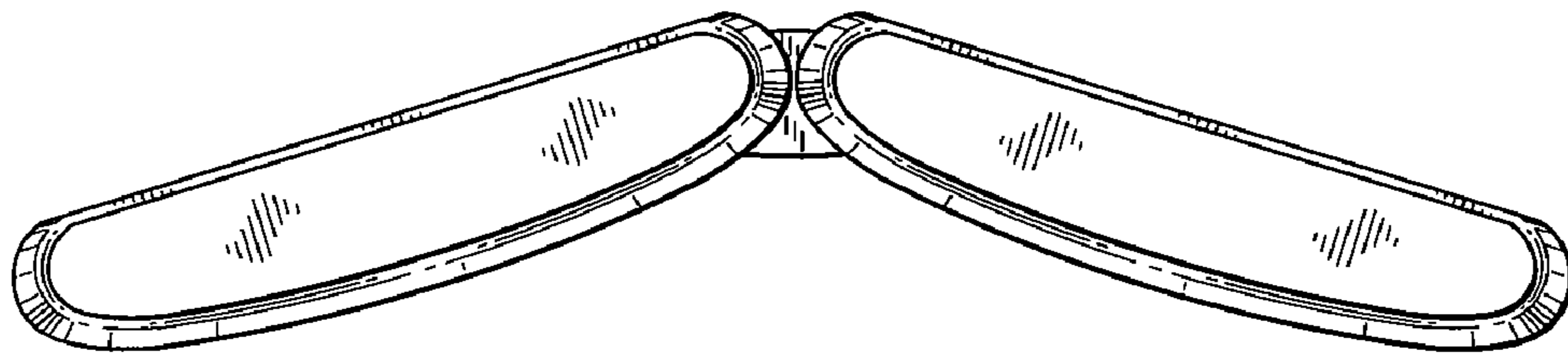


FIG. 3

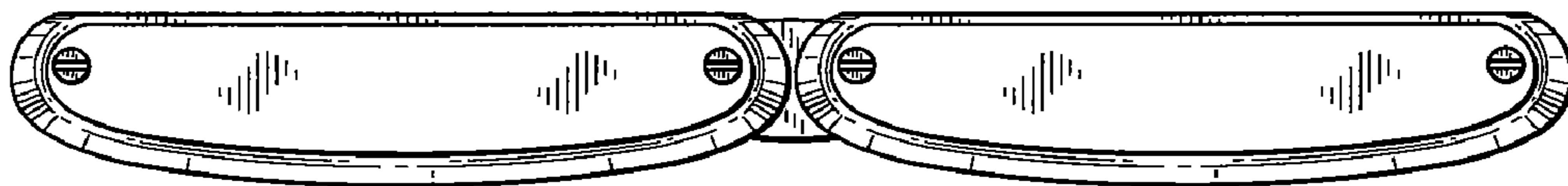
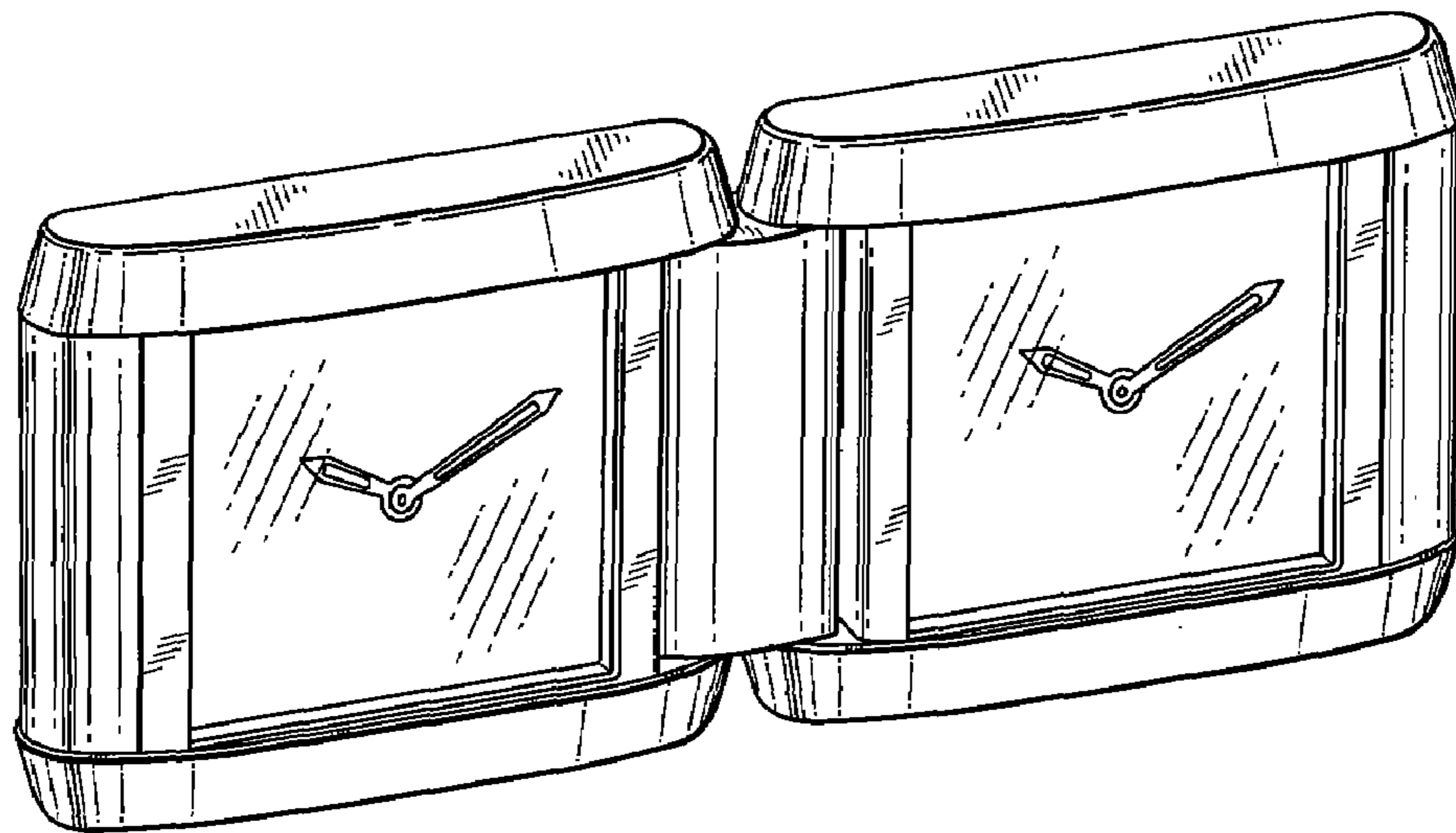
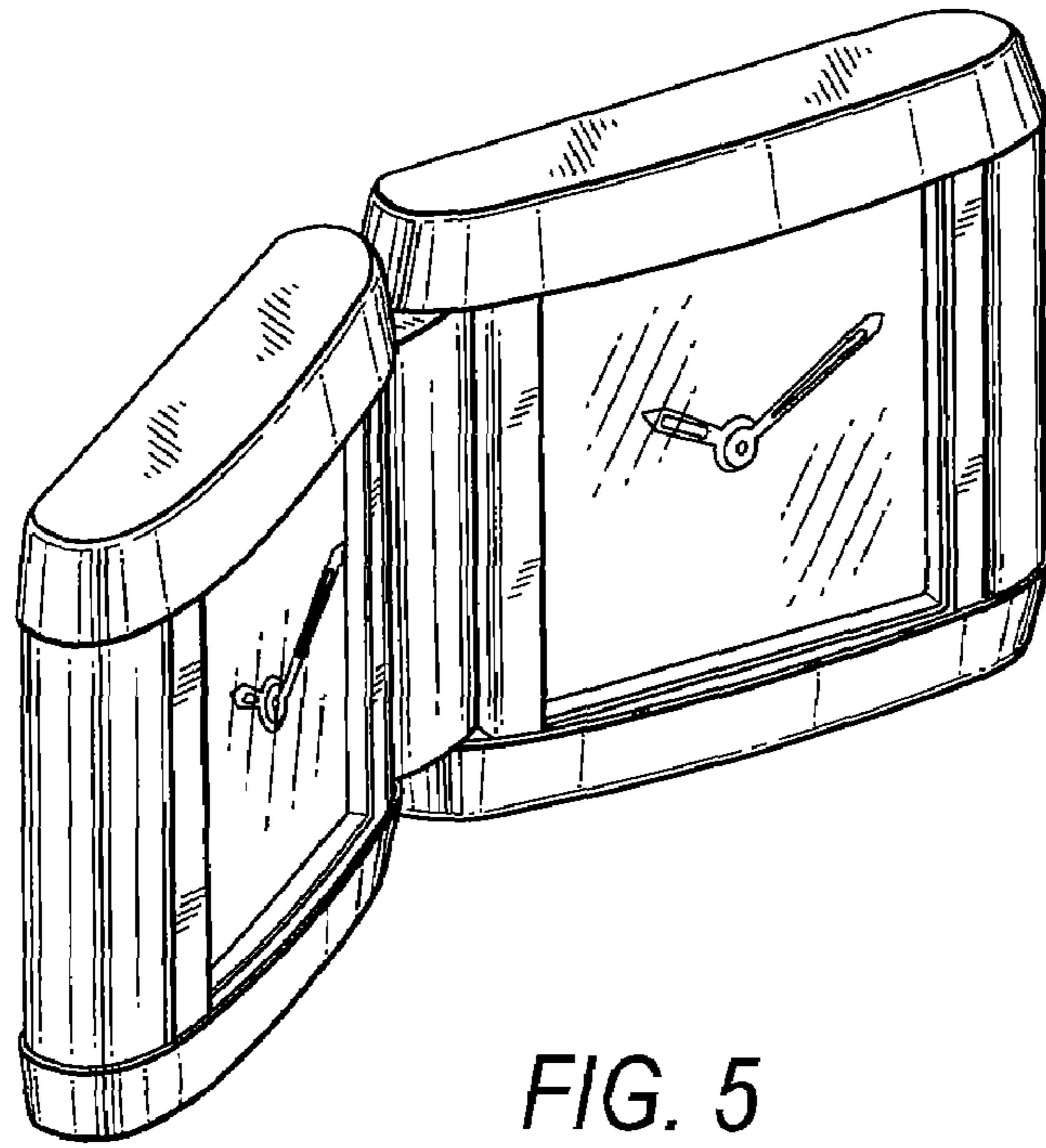


FIG. 4



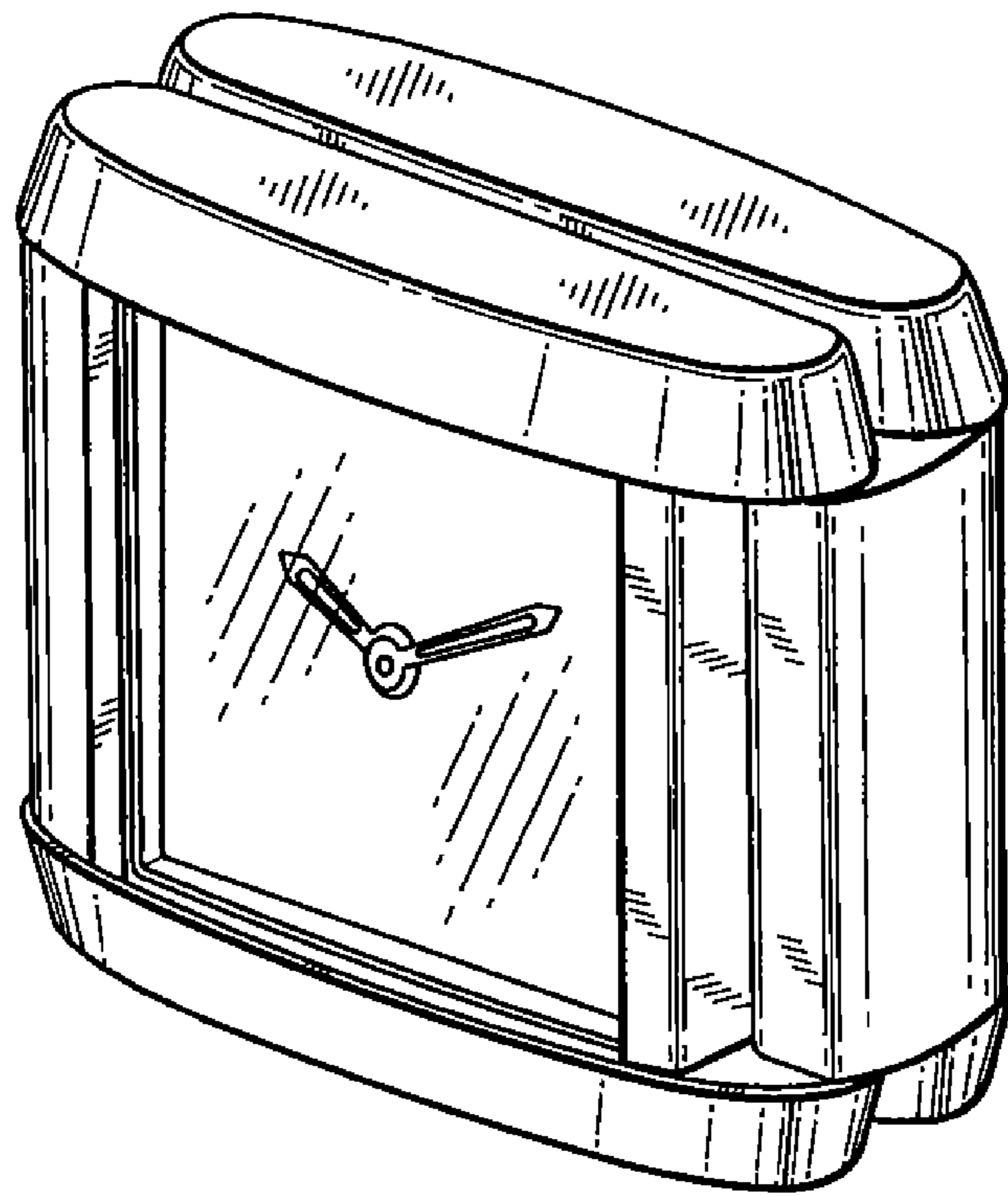


FIG. 7