

US00D553505S

(12) **United States Design Patent**
Oner

(10) **Patent No.:** **US D553,505 S**

(45) **Date of Patent:** **** Oct. 23, 2007**

(54) **BOTTLE**

(75) Inventor: **Refik Oner**, Slough (GB)

(73) Assignee: **Reckitt Benckisor N.V.**, Hoofddorp (NL)

(**) Term: **14 Years**

(21) Appl. No.: **29/240,813**

(22) Filed: **Oct. 19, 2005**

(30) **Foreign Application Priority Data**

Apr. 26, 2005 (EM) 000334099

(51) **LOC (8) Cl.** **09-01**

(52) **U.S. Cl.** **D9/559; D9/546; D9/573;**
D9/452

(58) **Field of Classification Search** D9/452,
D9/651, 682, 686-687, 694, 516, 529, 544,
D9/546, 566, 559-560, 569, 572-575; 215/381-385,
215/396, 398; 220/660, 662, 669, 675
See application file for complete search history.

(56) **References Cited**

U.S. PATENT DOCUMENTS

D43,781 S * 4/1913 Sanford D9/546 X
1,659,383 A * 2/1928 Schott et al. 215/382 X
D76,180 S * 8/1928 Coty D9/573
D98,958 S * 3/1936 Piazzoli D9/573
D100,424 S * 7/1936 Guerlain D9/546

D213,041 S * 12/1968 Stehl D9/529
D252,015 S * 6/1979 Grodin D9/544
D276,027 S * 10/1984 Albert et al. D9/452
D304,298 S * 10/1989 Bannister D9/546
D328,247 S * 7/1992 Robineau D9/544 X
D341,091 S * 11/1993 Granai D9/573
D369,558 S * 5/1996 Heinz D9/559
D406,532 S * 3/1999 Black D9/651
D428,343 S * 7/2000 Waitzenegger D9/544
D444,071 S * 6/2001 Mansau D9/566
D526,567 S * 8/2006 Dalton D9/544
D531,912 S * 11/2006 Antretter D9/546
D534,806 S * 1/2007 Antretter D9/546

* cited by examiner

Primary Examiner—Carol Rademaker

(74) *Attorney, Agent, or Firm*—Norris McLaughlin & Marcus, PA

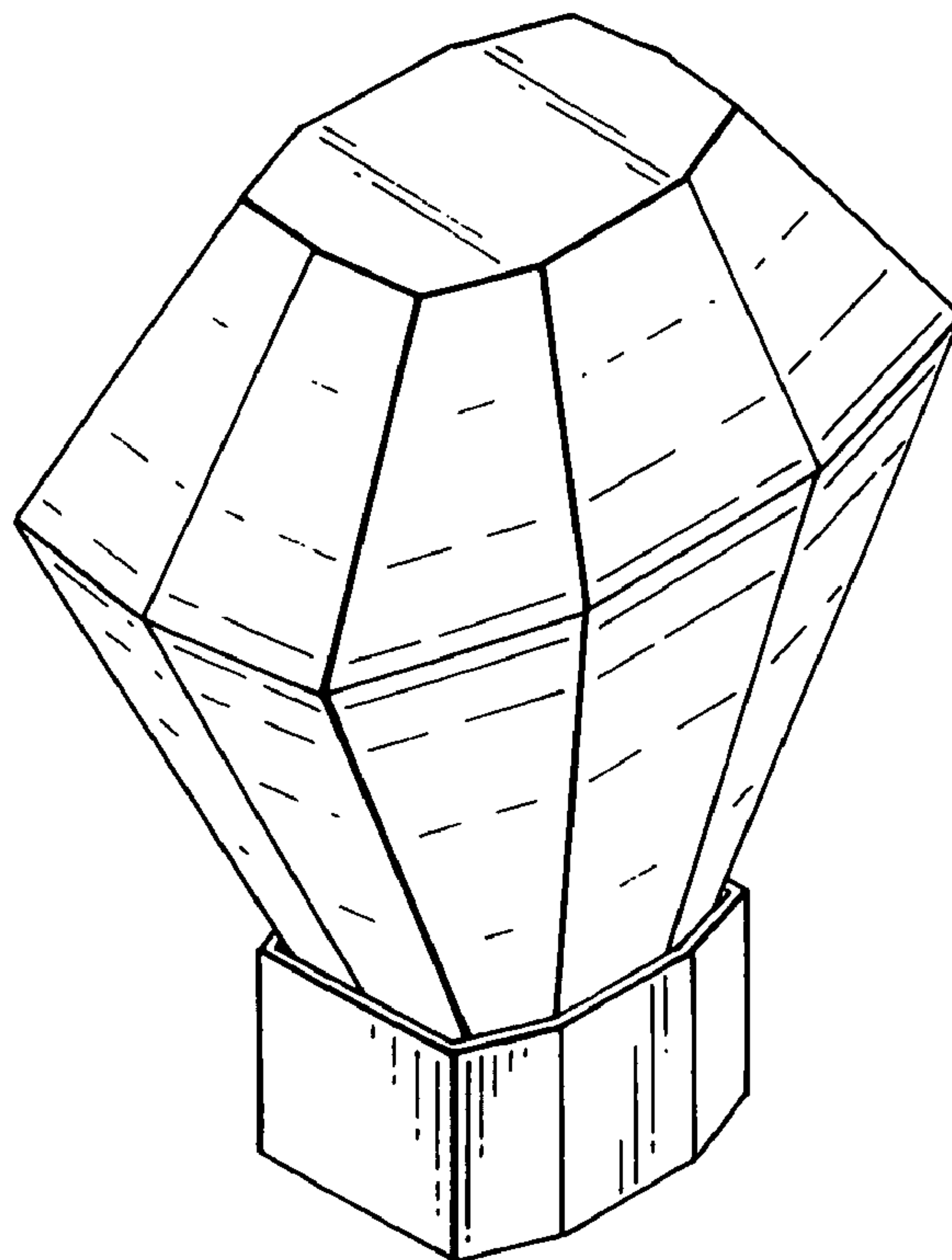
(57) **CLAIM**

The ornamental design for a bottle, as shown and described.

DESCRIPTION

FIG. 1 is a top, front, left side perspective view;
FIG. 2 is a front elevational view;
FIG. 3 is a left side elevational view thereof, the right side
elevational view being a mirror image;
FIG. 4 is a top plan view thereof; and,
FIG. 5 is a bottom plan view thereof.

1 Claim, 2 Drawing Sheets



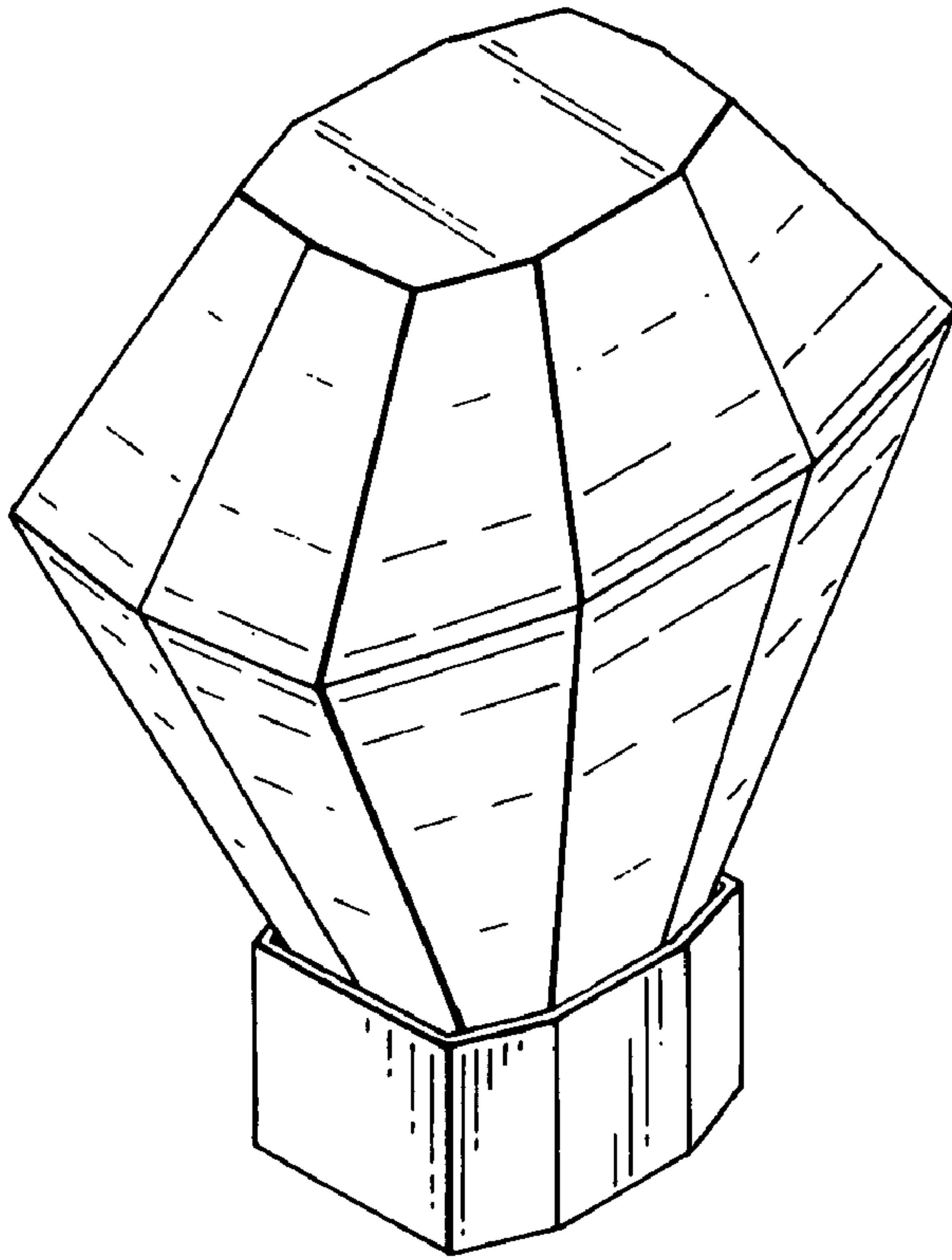


Fig. 1.

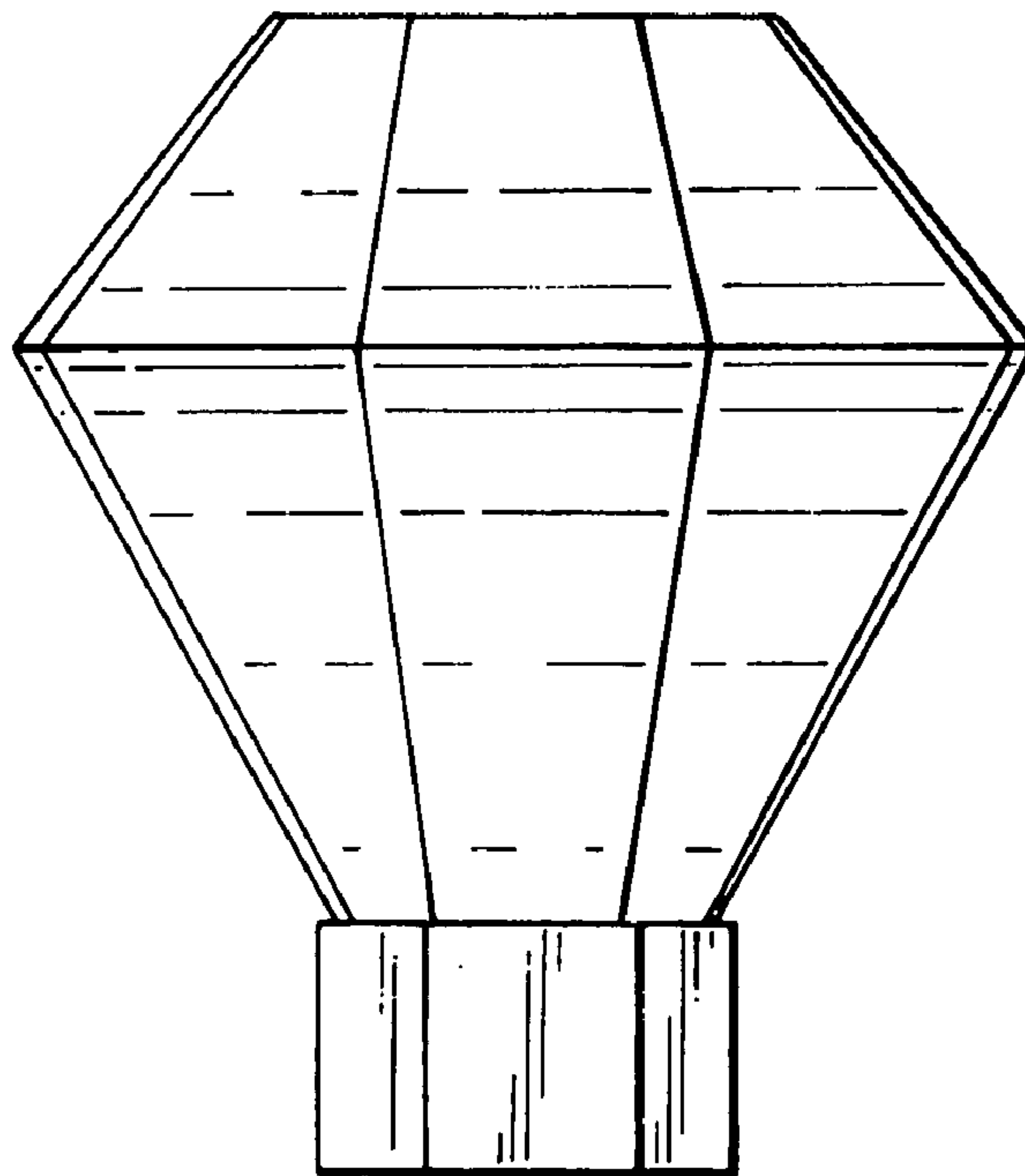


Fig. 2.

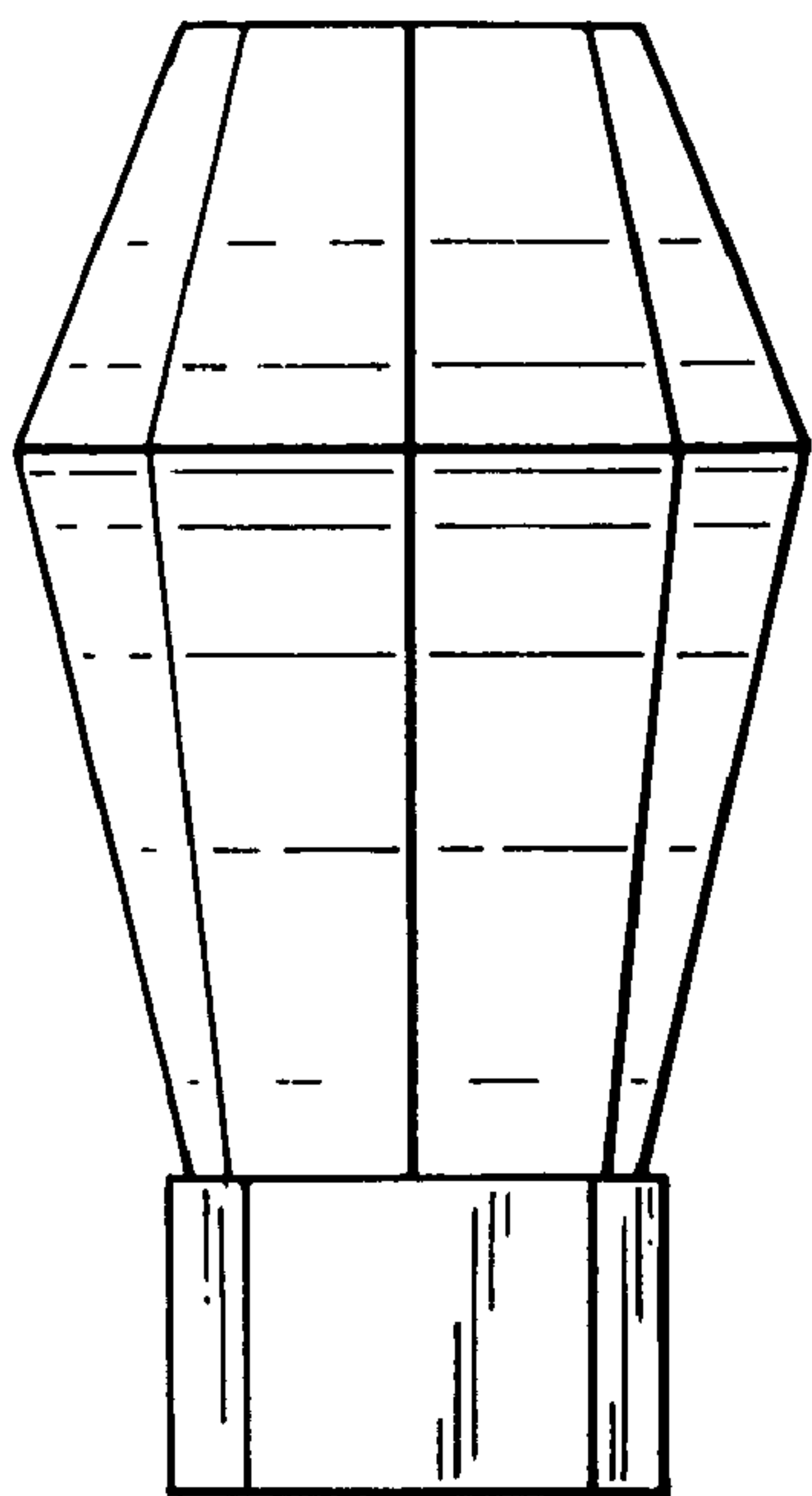


Fig.3.

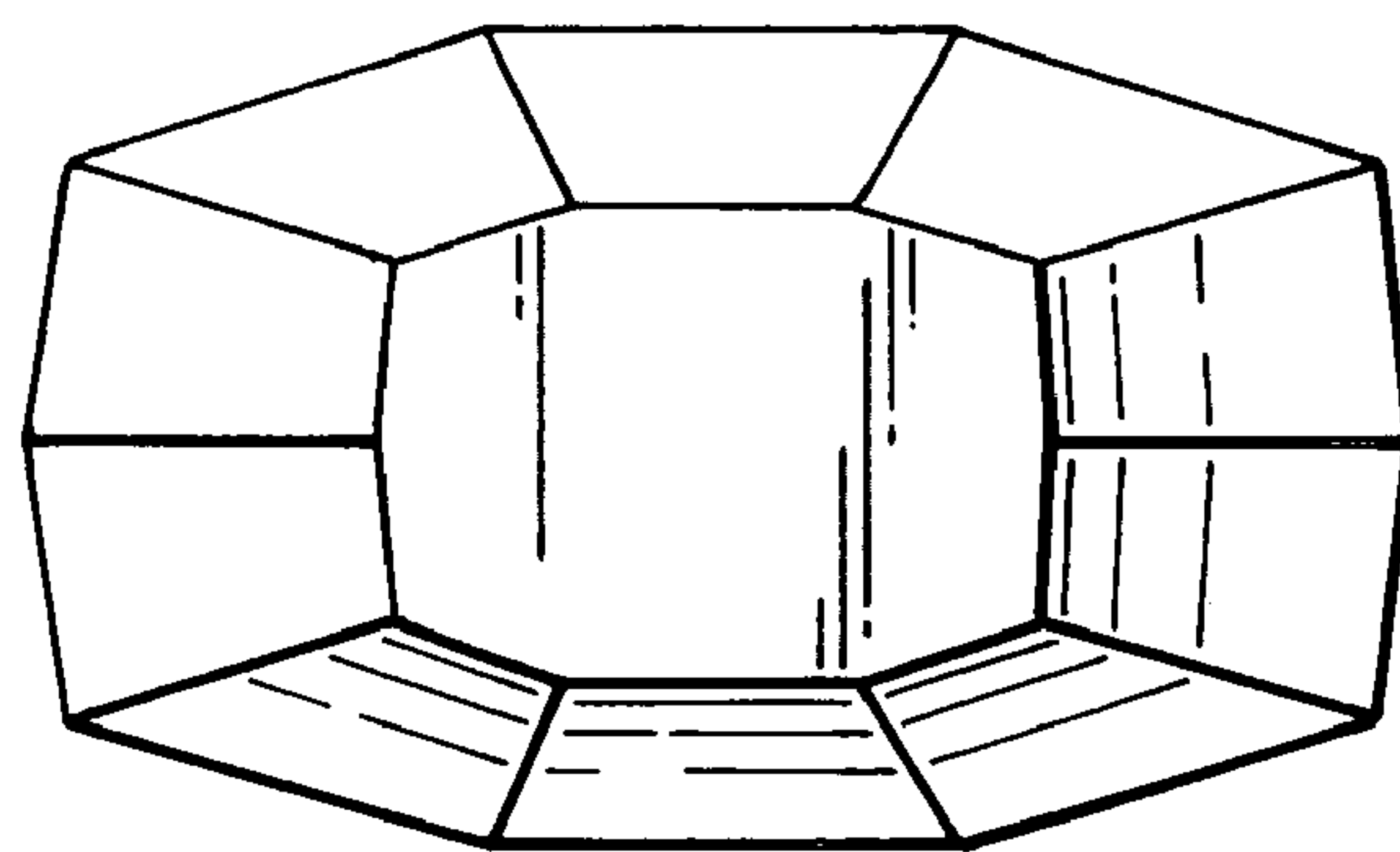


Fig.4.

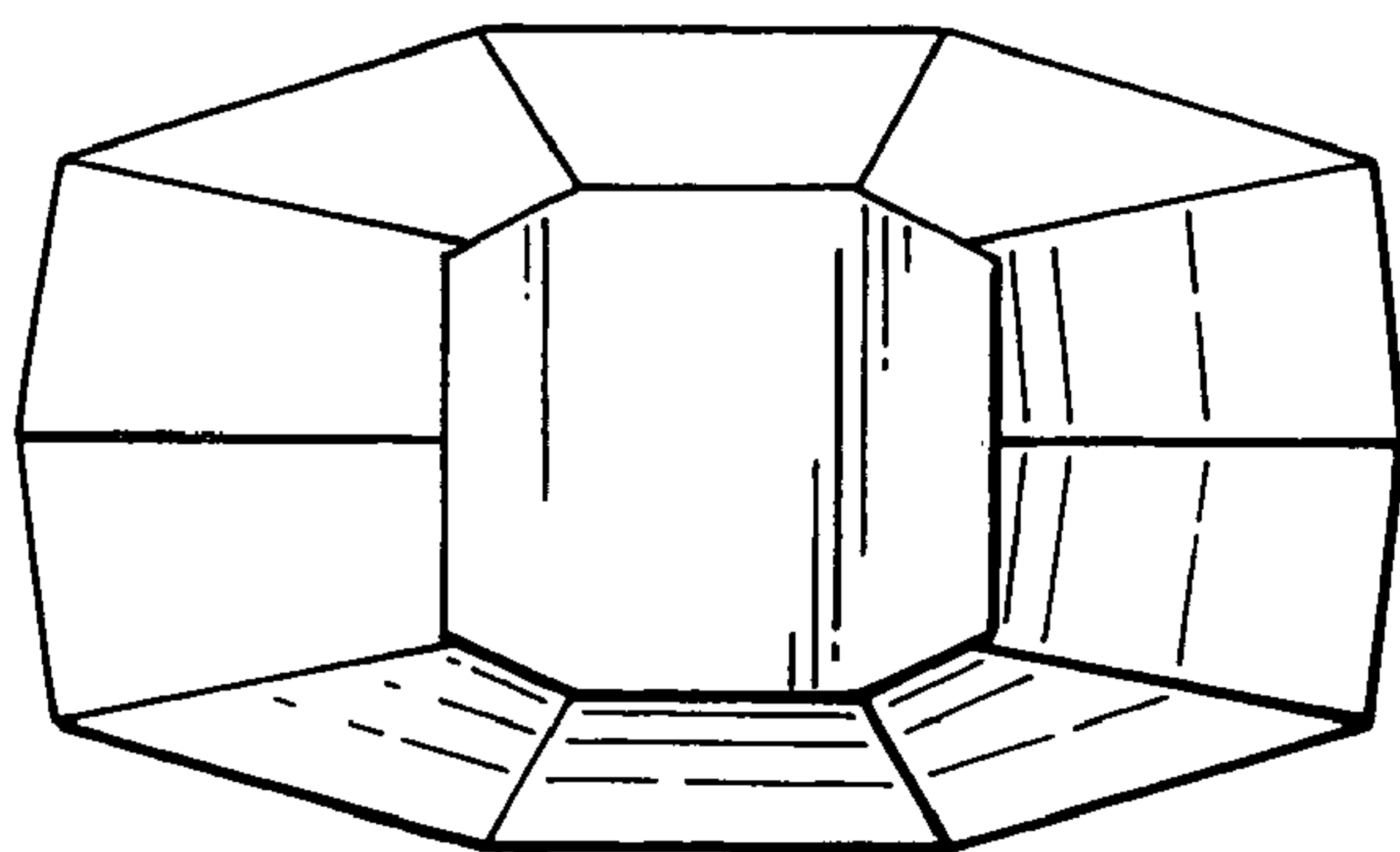


Fig.5.