



US00D553501S

(12) **United States Design Patent**  
**Arnett et al.**

(10) **Patent No.:** **US D553,501 S**

(45) **Date of Patent:** **\*\* Oct. 23, 2007**

(54) **BOTTLE**

(75) Inventors: **Marleen S. Arnett**, Dublin, CA (US);  
**Vincent N. DeMaso**, San Ramon, CA  
(US); **Christian Fabian Daiz**, Buenos  
Aires (AR)

(73) Assignee: **The Clorox Company**, Oakland, CA  
(US)

(\*\*) Term: **14 Years**

(21) Appl. No.: **29/247,414**

(22) Filed: **Jun. 16, 2006**

(51) **LOC (8) Cl.** ..... **09-01**

(52) **U.S. Cl.** ..... **D9/526; D9/541; D9/563;**  
**D9/569; D9/575**

(58) **Field of Classification Search** ..... **D9/682-694,**  
**D9/516, 520, 523-528, 541-543, 563-564,**  
**D9/570-575; 215/381-385, 396, 398, 400**  
See application file for complete search history.

(56) **References Cited**

**U.S. PATENT DOCUMENTS**

- D310,026 S \* 8/1990 Verebelyi ..... D9/526 X
- D310,960 S \* 10/1990 Verebelyi ..... D9/526
- D319,782 S \* 9/1991 Reif ..... D9/526
- D350,484 S \* 9/1994 Addis et al. .... D9/526
- D373,956 S \* 9/1996 Terwilleger et al. .... D9/526
- D375,049 S \* 10/1996 Vollborth ..... D9/543 X
- D378,573 S \* 3/1997 Sherman ..... D9/570 X
- D383,678 S \* 9/1997 Syrek ..... D9/569 X

- D391,489 S \* 3/1998 Feen ..... D9/570 X
- D406,531 S \* 3/1999 Bodker et al. .... D9/526
- D409,495 S \* 5/1999 Hartman et al. .... D9/526
- D410,847 S \* 6/1999 Bodker et al. .... D9/543 X
- D501,142 S \* 1/2005 Pattison ..... D9/569 X

\* cited by examiner

*Primary Examiner*—Carol Rademaker

(74) *Attorney, Agent, or Firm*—Richard Niehuser

(57) **CLAIM**

The ornamental design for a bottle, as shown and described.

**DESCRIPTION**

The application relates to a bottle for use as a container.

FIG. 1 is a perspective view of a bottle showing our new design;

FIG. 2 is a front view thereof;

FIG. 3 is a rear view thereof;

FIG. 4 is a left side view thereof;

FIG. 5 is a right side view thereof;

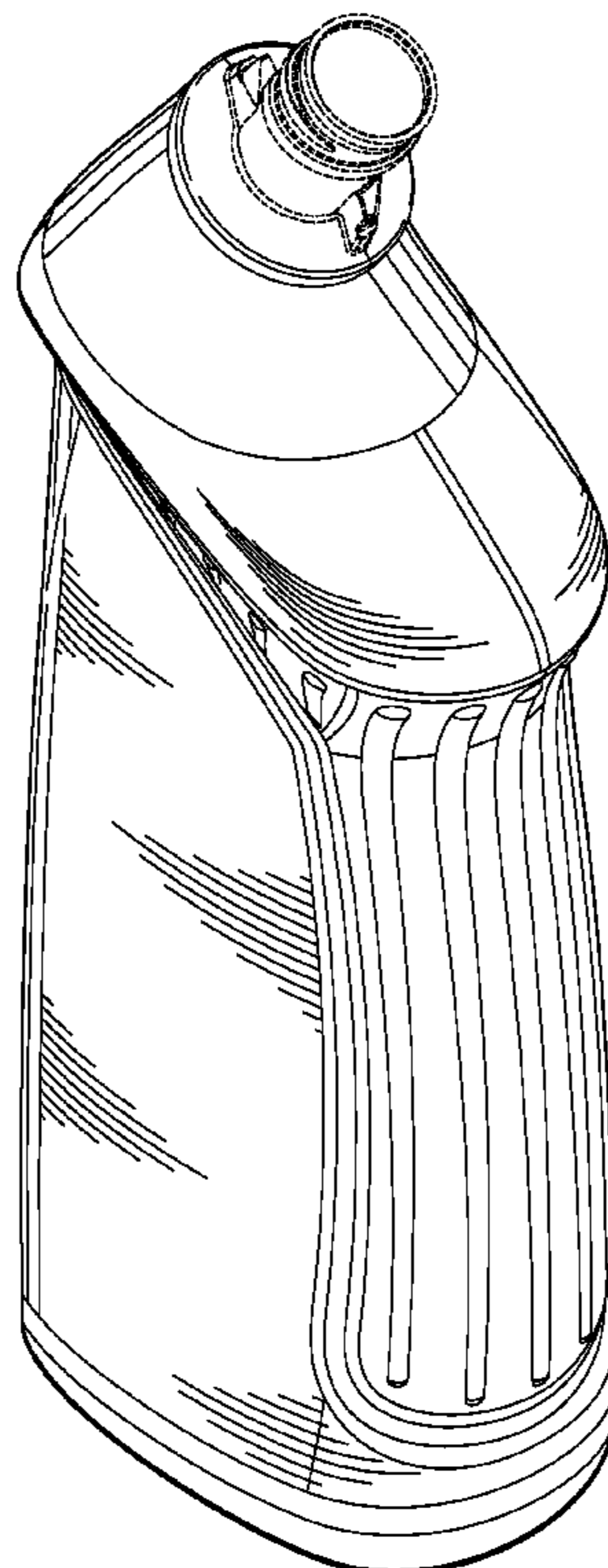
FIG. 6 is a top plan view thereof; and,

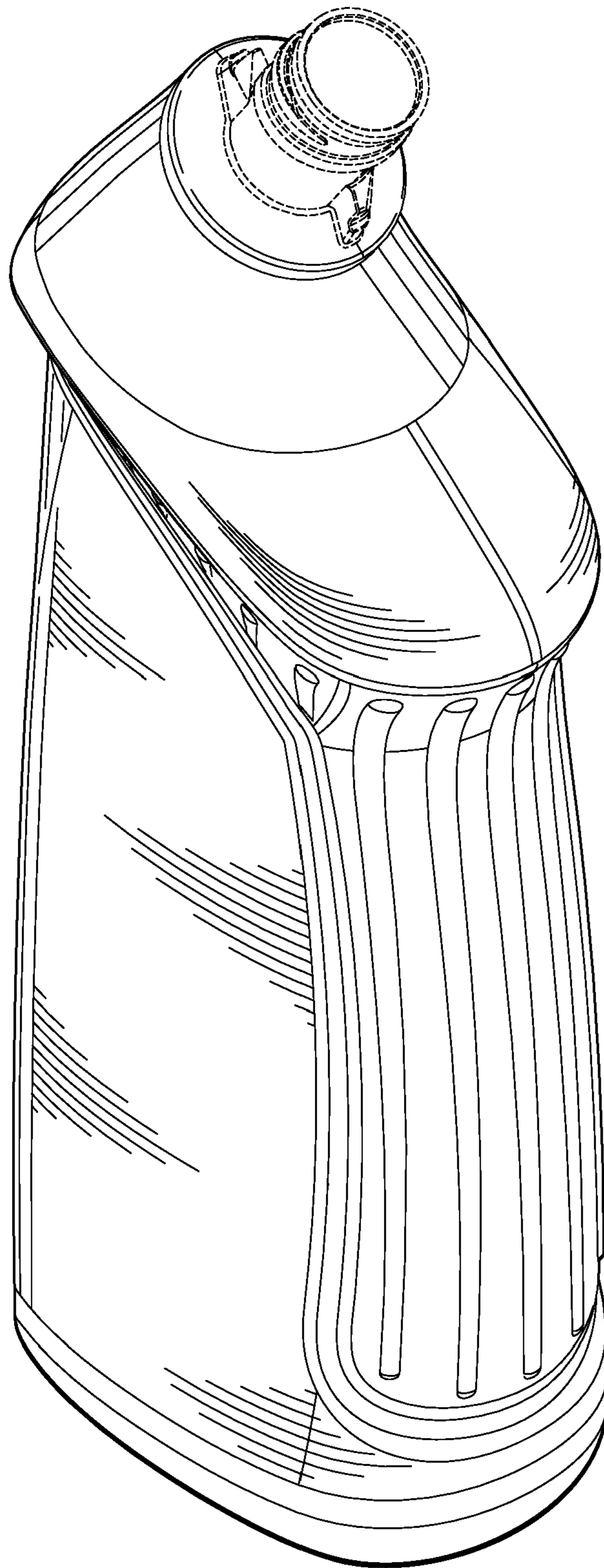
FIG. 7 is a bottom plan view thereof.

The broken lines shown in the drawing form no part of the claimed design.

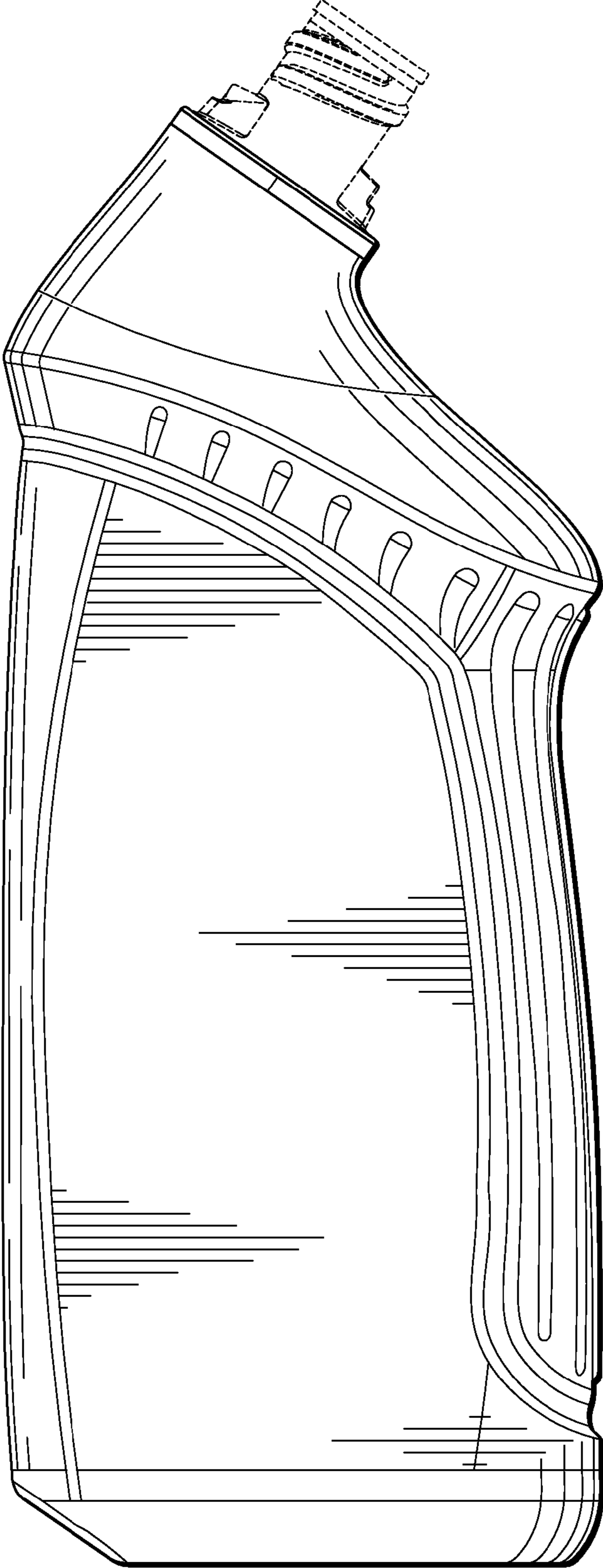
The outermost broken line shown on the FIG. 7 bottom plan view defines the lower boundary of the claimed design.

**1 Claim, 5 Drawing Sheets**

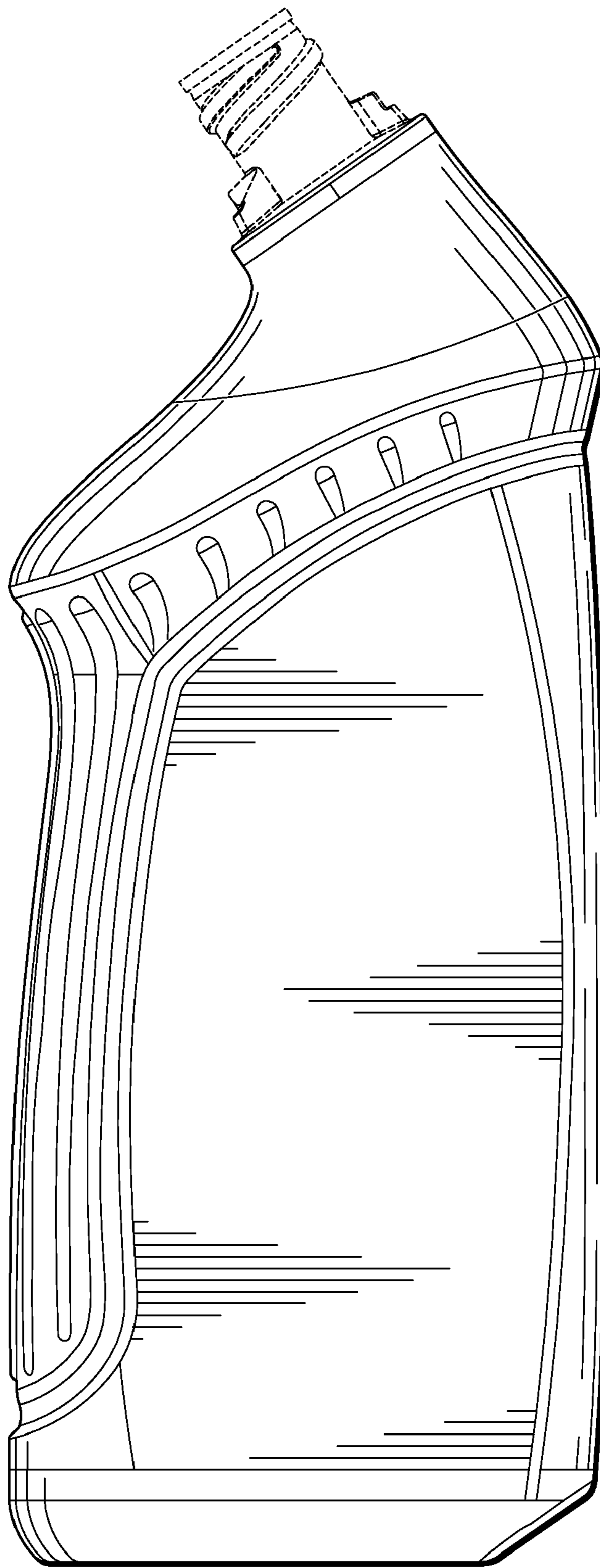




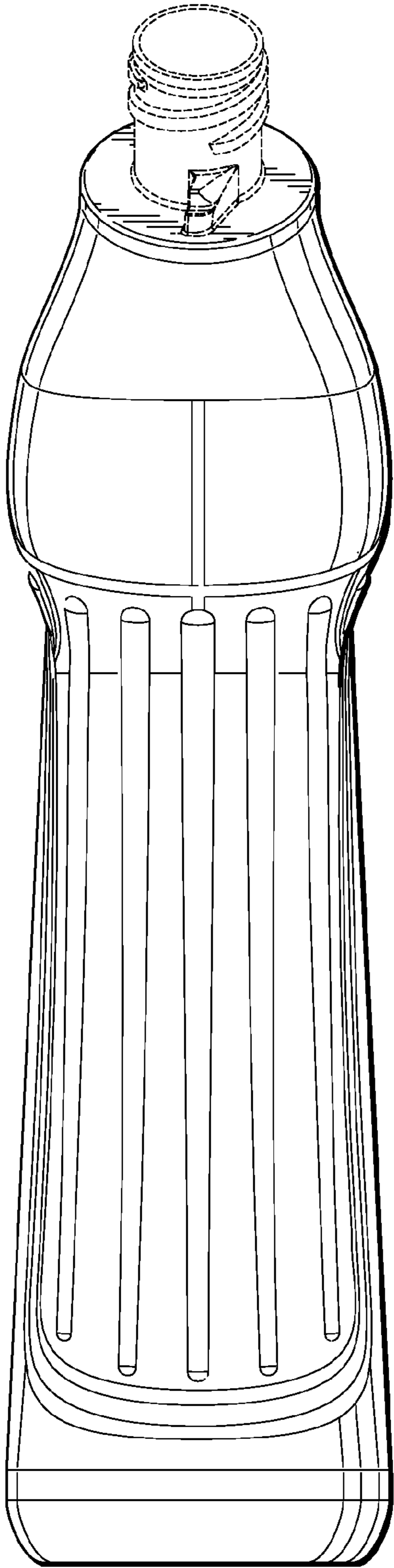
***FIG. - 1***



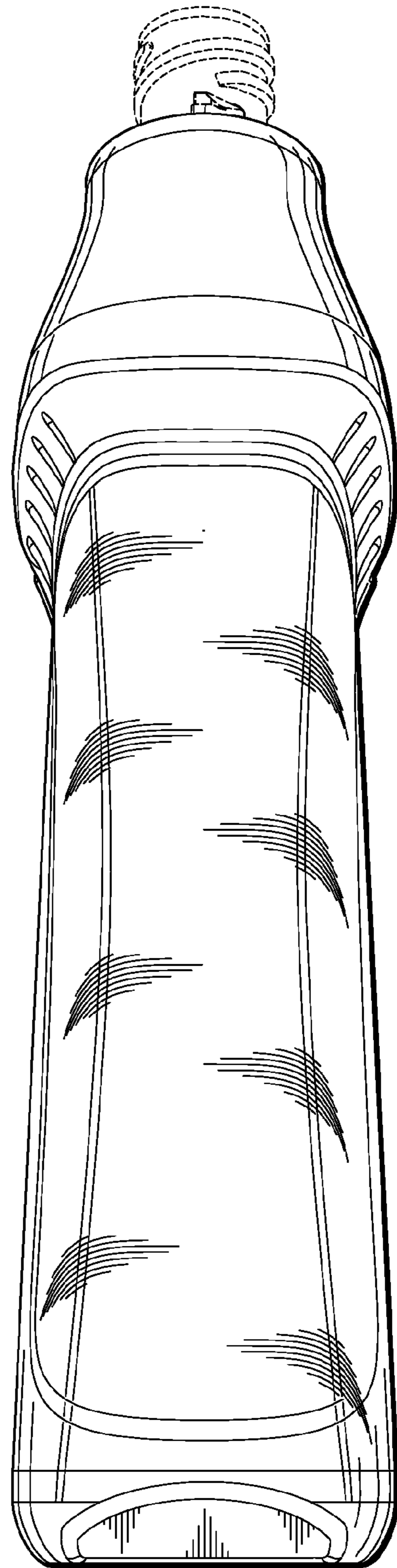
*FIG.-2*



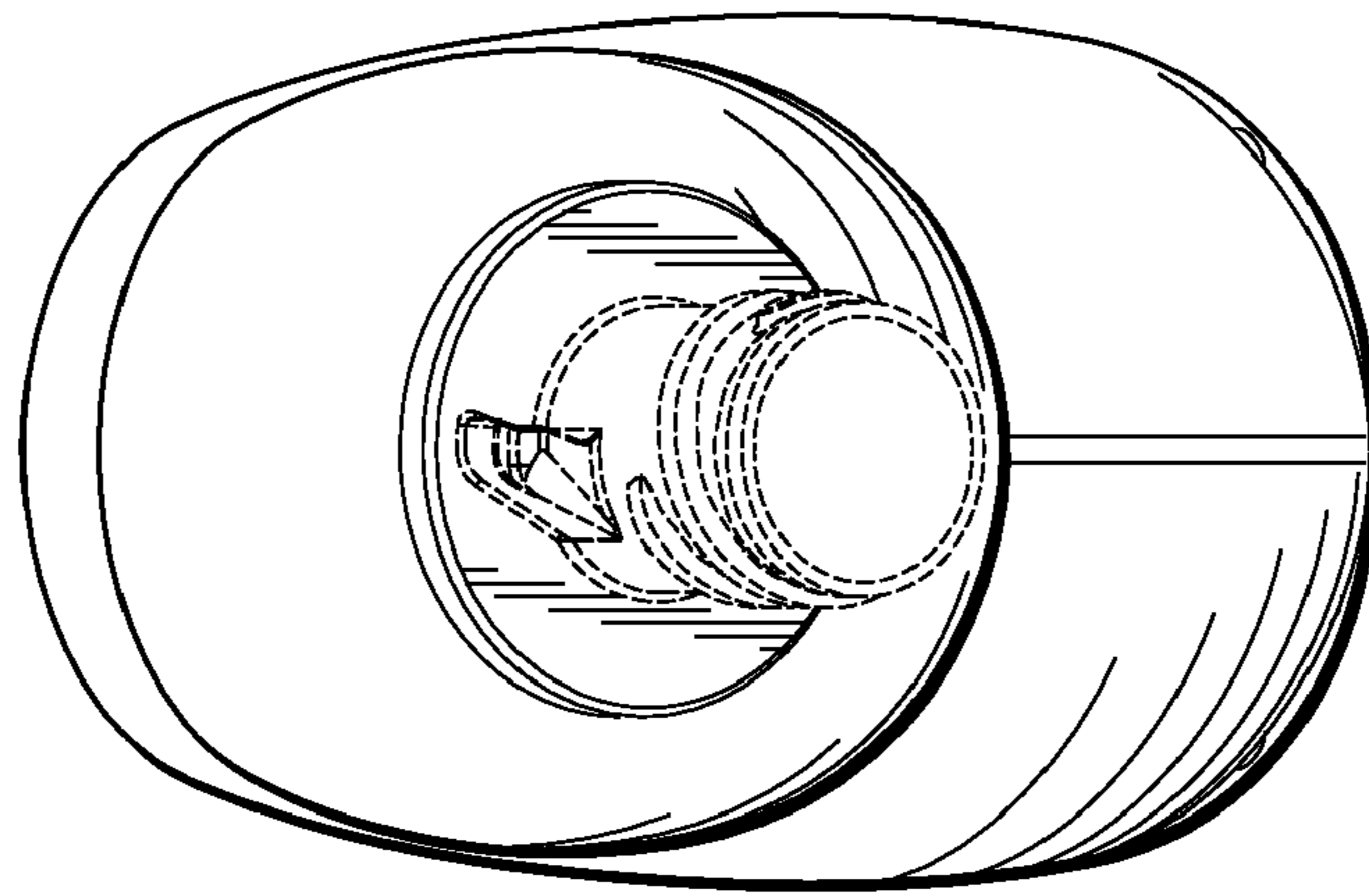
**FIG. - 3**



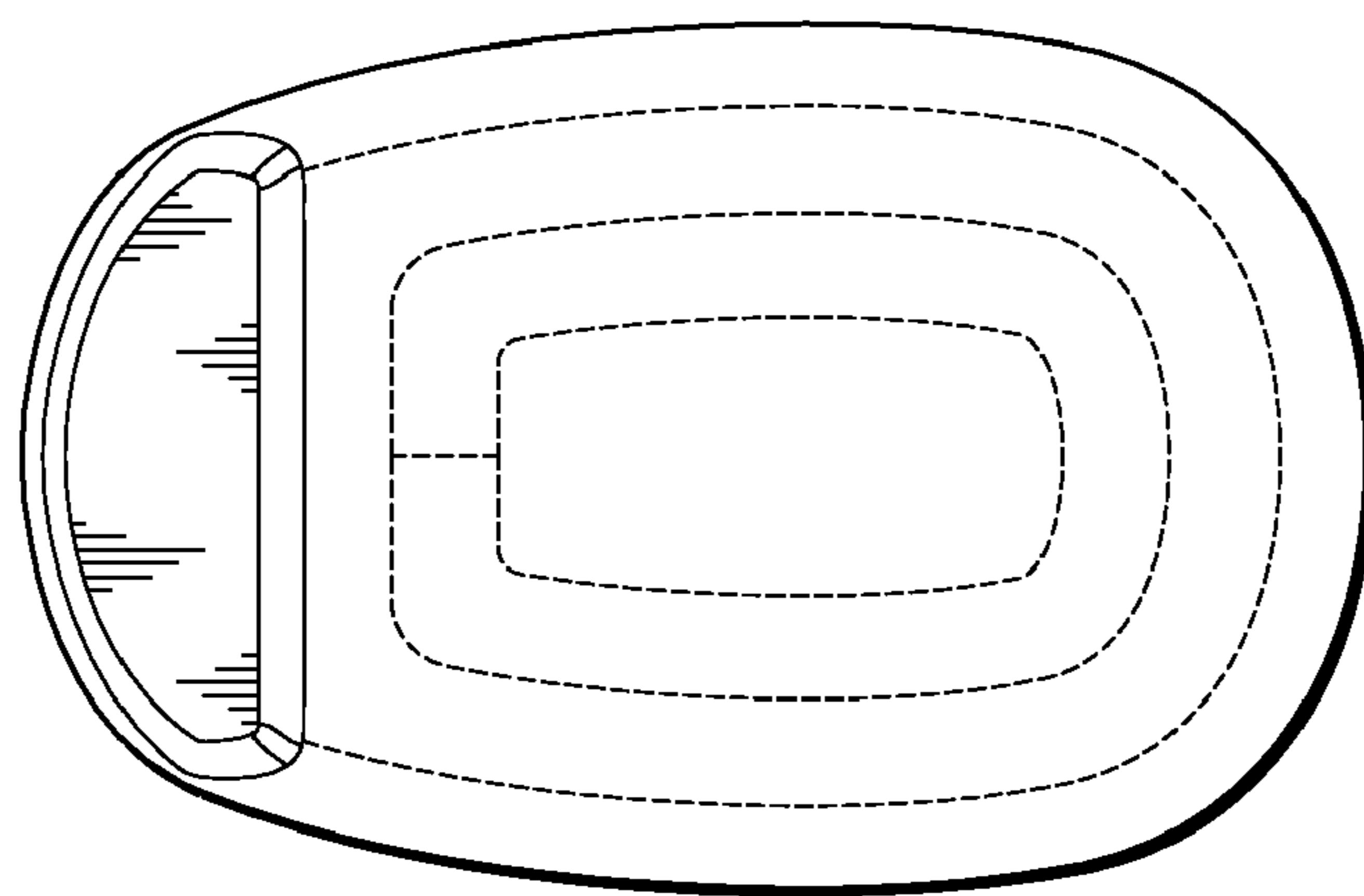
**FIG.-4**



**FIG.-5**



***FIG. -6***



***FIG. -7***