



US00D553498S

(12) **United States Design Patent**
Cooney

(10) **Patent No.:** **US D553,498 S**

(45) **Date of Patent:** **** Oct. 23, 2007**

(54) **BOTTLE CAP WITH THERMOMETER
PROBE SLEEVE**

D470,050 S * 2/2003 Renz et al. D9/434
D495,060 S * 8/2004 Hellstrom D9/435
D513,184 S * 12/2005 Parker D9/499

(76) Inventor: **Gerald A. Cooney**, Drawer 58307,
Houston, TX (US) 77258

* cited by examiner

(**) Term: **14 Years**

Primary Examiner—Robert M. Spear

Assistant Examiner—Susan Bennett Hattan

(21) Appl. No.: **29/265,058**

(74) *Attorney, Agent, or Firm*—Kenneth A. Roddy

(22) Filed: **Aug. 23, 2006**

(57) **CLAIM**

(51) **LOC (8) Cl.** **09-07**

The ornamental design for a bottle cap with thermometer probe sleeve, as shown and described.

(52) **U.S. Cl.** **D9/454**

(58) **Field of Classification Search** D9/499,
D9/455, 454, 447, 440, 435, 434; D7/700,
D7/624.1, 619.1; 215/390, 376, 10; 141/364,
141/319, 310; D6/466, 457, 400; D3/219,
D3/206, 205

DESCRIPTION

FIG. 1 is a side elevation view of a bottle cap with thermometer probe sleeve, showing my new design;

FIG. 2 is a top plan view thereof;

FIG. 3 is a bottom plan view thereof;

See application file for complete search history.

FIG. 4 is a perspective view thereof, as seen from the bottom; and,

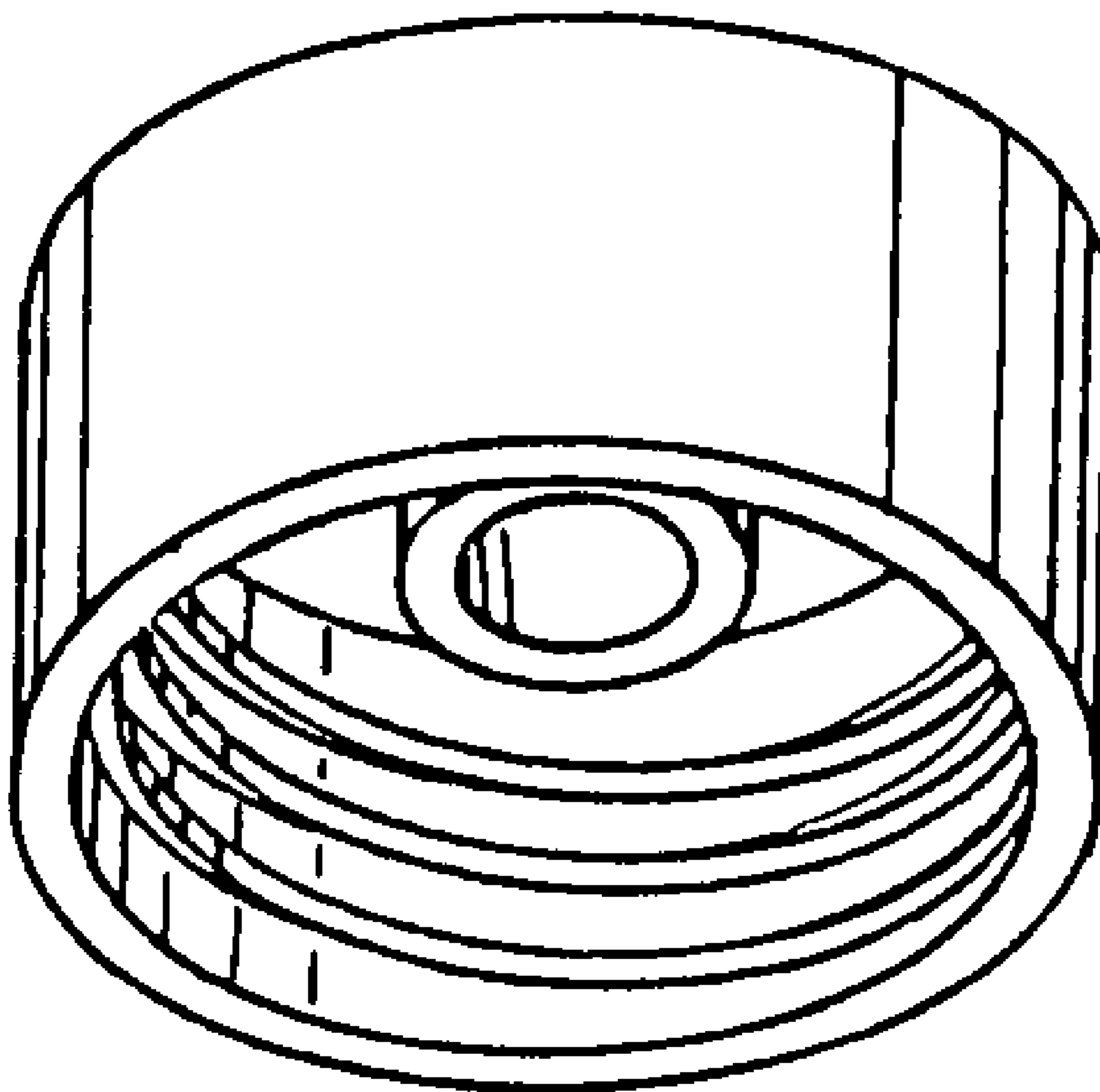
(56) **References Cited**

U.S. PATENT DOCUMENTS

FIG. 5 is a cross sectional view thereof taken along line 5—5 of FIG. 2, more clearly showing the sleeve portion.

D402,558 S * 12/1998 Klima et al. D9/448
D402,766 S * 12/1998 Smith et al. D9/455
D443,511 S * 6/2001 Jensen D9/440

1 Claim, 1 Drawing Sheet



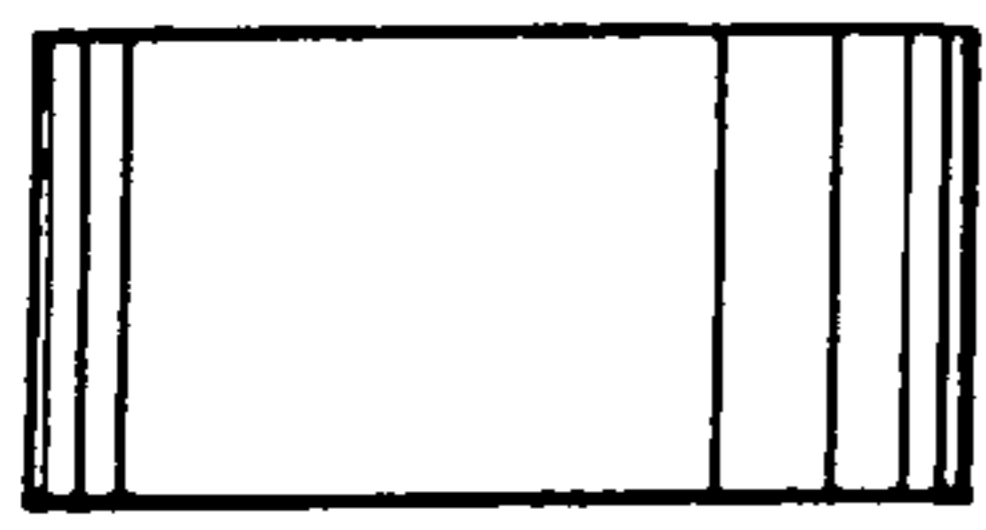


Fig. 1

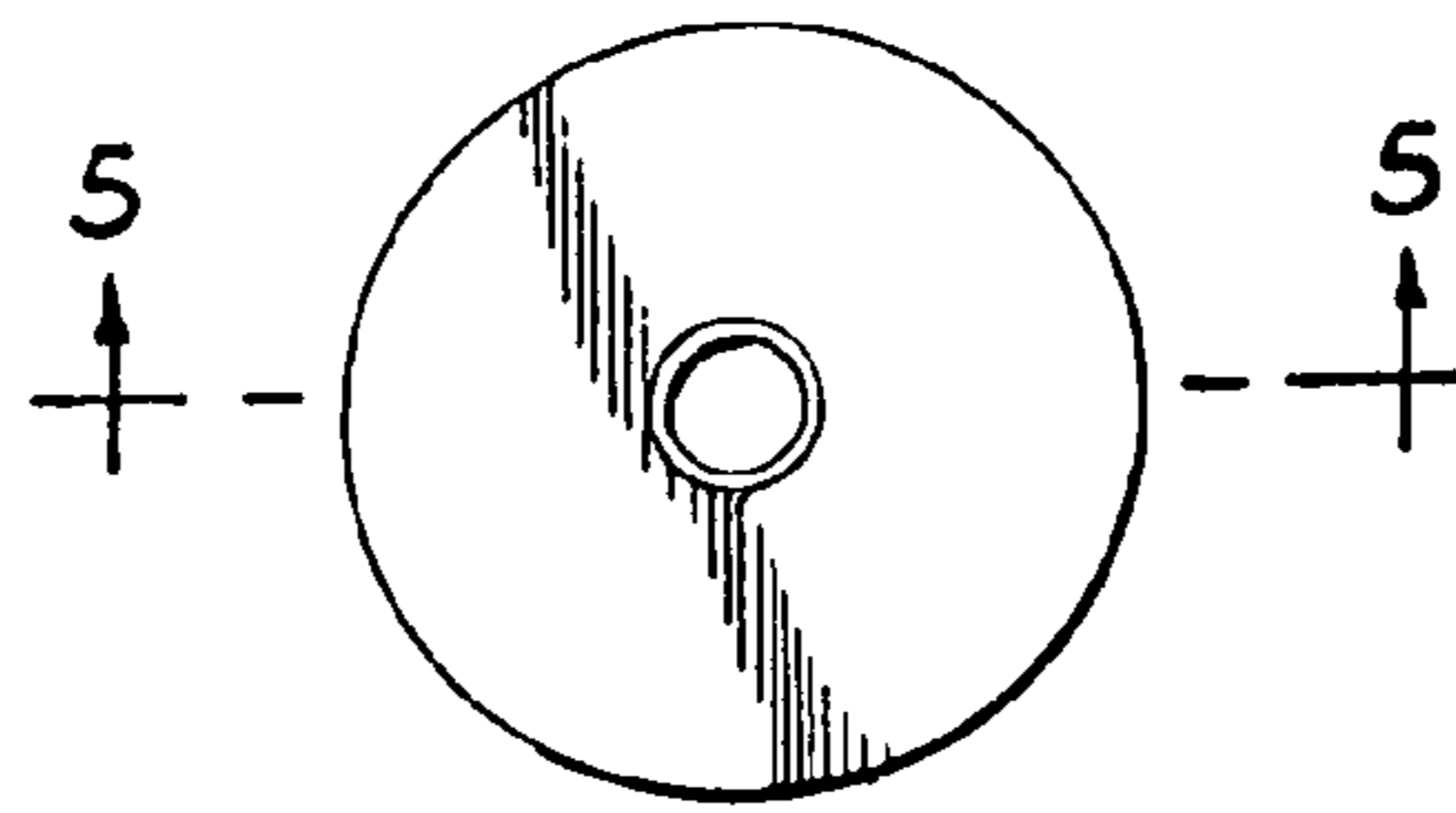


Fig. 2

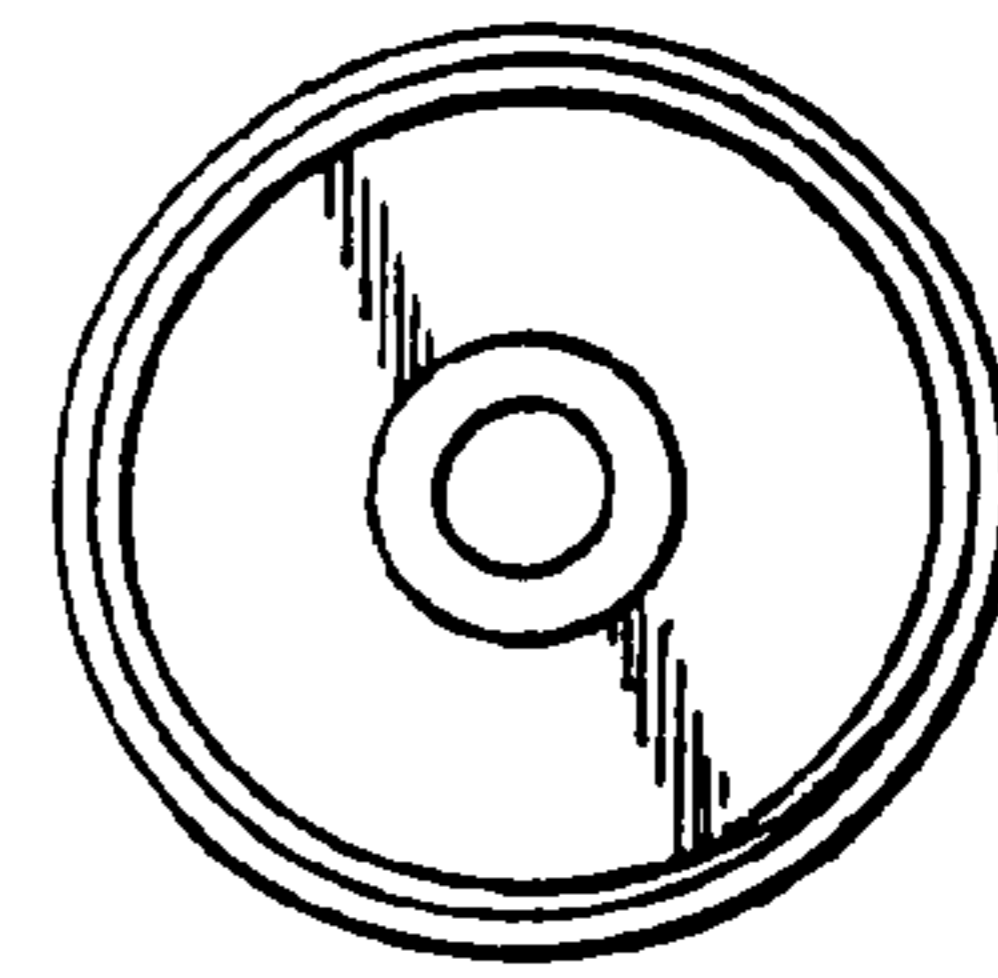


Fig. 3

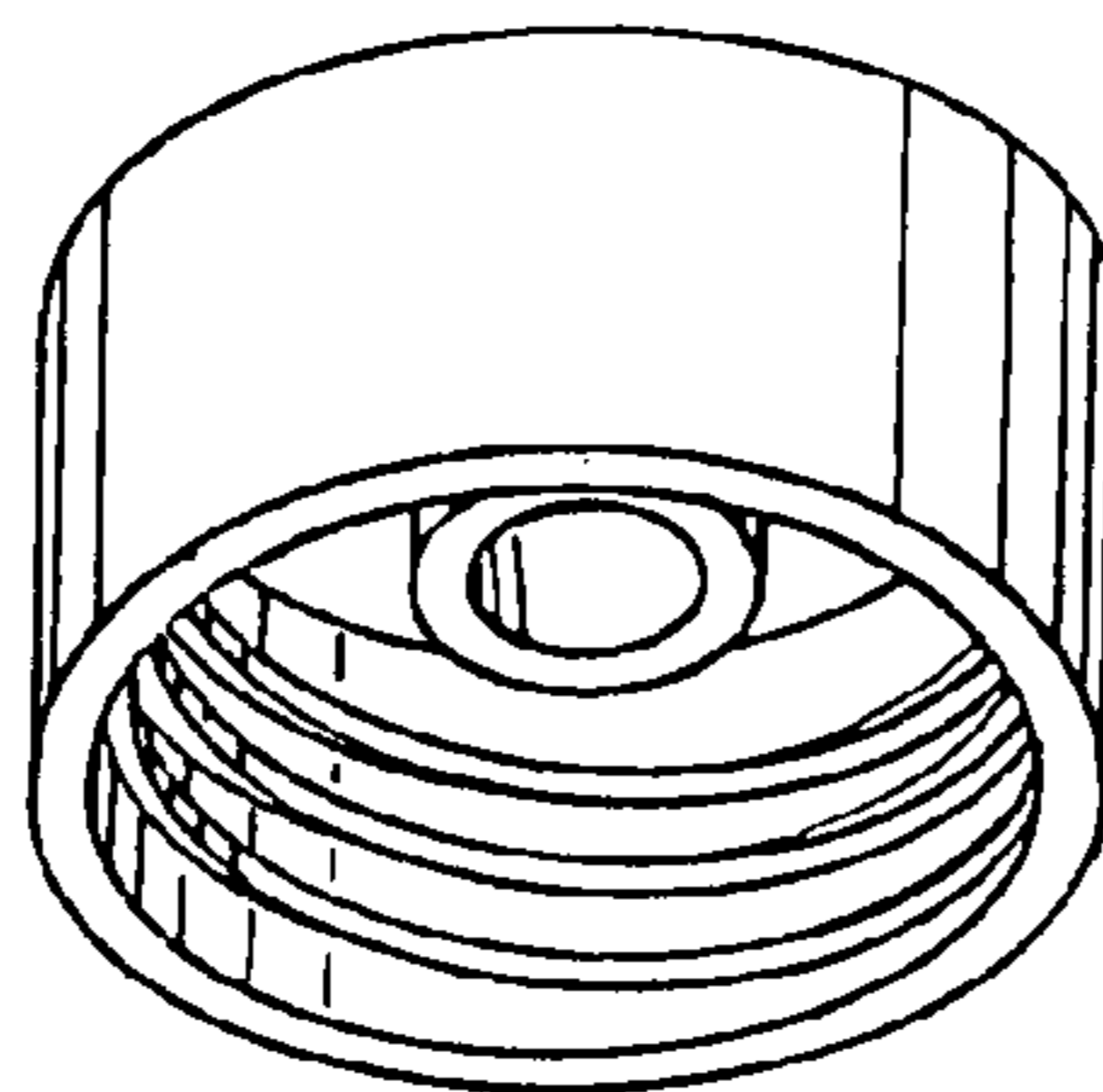


Fig. 4

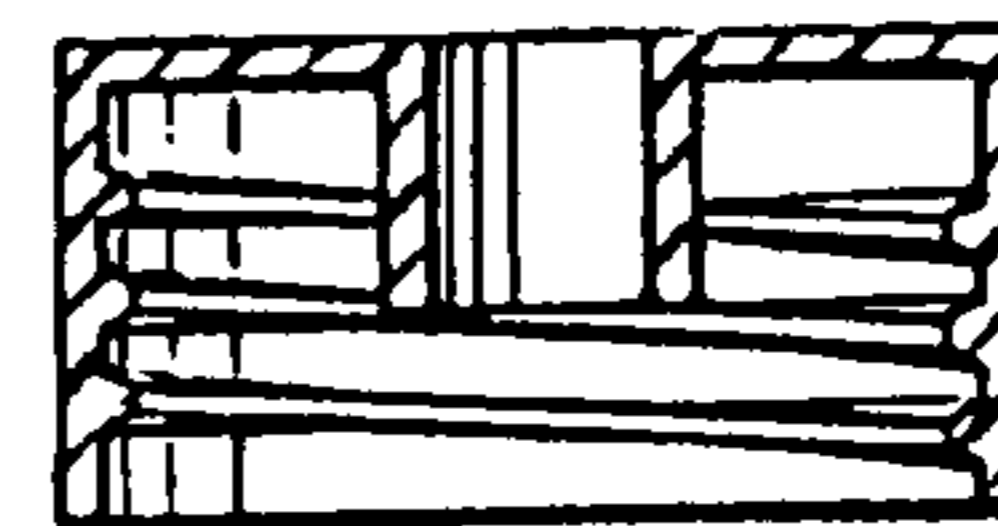


Fig. 5