



US00D553497S

(12) **United States Design Patent** (10) **Patent No.:** **US D553,497 S**  
**Maas et al.** (45) **Date of Patent:** **\*\* Oct. 23, 2007**

(54) **SPRAY DISPENSER**

(75) Inventors: **Wilhelmus Johannes Maas**, Someren (NL); **Petrus Lambertus Hurkmans**, Someren (NL)

(73) Assignee: **AFA Polytek B.V.** (NL)

(\*\*) Term: **14 Years**

(21) Appl. No.: **29/233,890**

(22) Filed: **Jul. 11, 2005**

(30) **Foreign Application Priority Data**

Jan. 12, 2005 (EM) ..... 000278478-0001

(51) **LOC (8) Cl.** ..... **09-07**

(52) **U.S. Cl.** ..... **D9/448**

(58) **Field of Classification Search** ..... D9/685, D9/448, 447, 435, 434; D23/226, 223, 213; 239/459, 415, 414; D6/542; 222/341  
See application file for complete search history.

(56) **References Cited**

**U.S. PATENT DOCUMENTS**

4,781,311	A	11/1988	Dunning et al.	
5,467,900	A *	11/1995	Maas et al.	222/341
5,730,335	A *	3/1998	Maas et al.	222/341
5,806,724	A	9/1998	Foster	
D421,388	S *	3/2000	Cummings	D9/448
D454,787	S *	3/2002	Cummings	D9/448
D463,972	S *	10/2002	Perrin et al.	D9/685

**FOREIGN PATENT DOCUMENTS**

EP	0 208 390	A1	1/1987
EP	1 050 478	B1	11/2000

**OTHER PUBLICATIONS**

Pump Cylinder with Integral Bayonet Closure; Research Disclosure Kenneth Mason Publications, Hampshire, GB, No. 396, Apr. 1, 1997, pp. 268-269, XP000702452, ISSN: 0374-4353.

\* cited by examiner

*Primary Examiner*—Robert M. Spear

*Assistant Examiner*—Susan Bennett Hattan

(74) *Attorney, Agent, or Firm*—Lerner, David, Littenberg, Krumholz & Mentlik, LLP

(57) **CLAIM**

The ornamental design for a spray dispenser, as shown and described.

**DESCRIPTION**

FIG. 1 is a bottom perspective view of a spray dispenser showing my new design;

FIG. 2 is a top perspective view of the spray dispenser of FIG. 1;

FIG. 3 is a right side elevational view of the spray dispenser of FIG. 1, the left side view being a mirror image of the right side;

FIG. 4 is a front elevational view of the spray dispenser of FIG. 1;

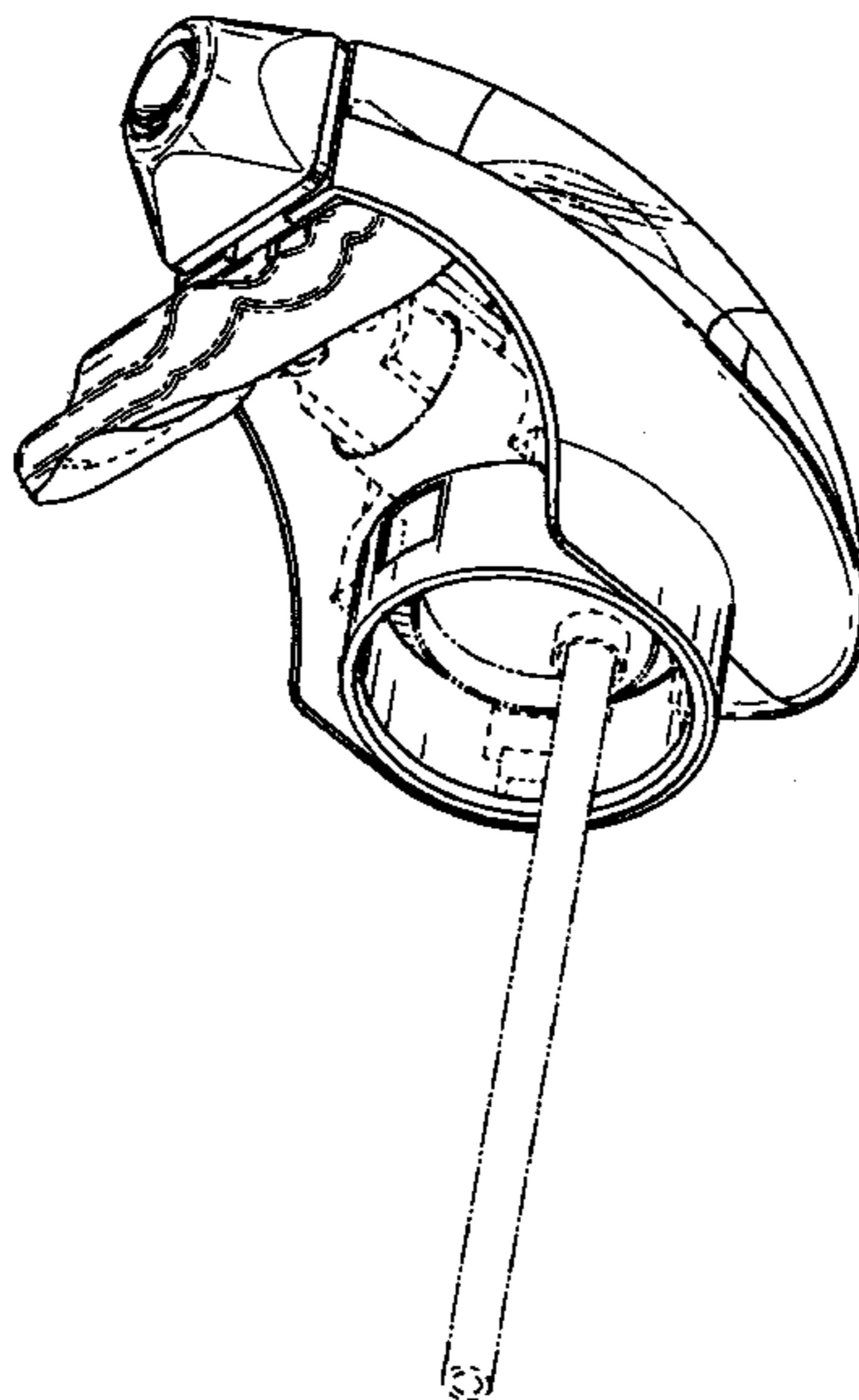
FIG. 5 is a back elevational view of the spray dispenser of FIG. 1;

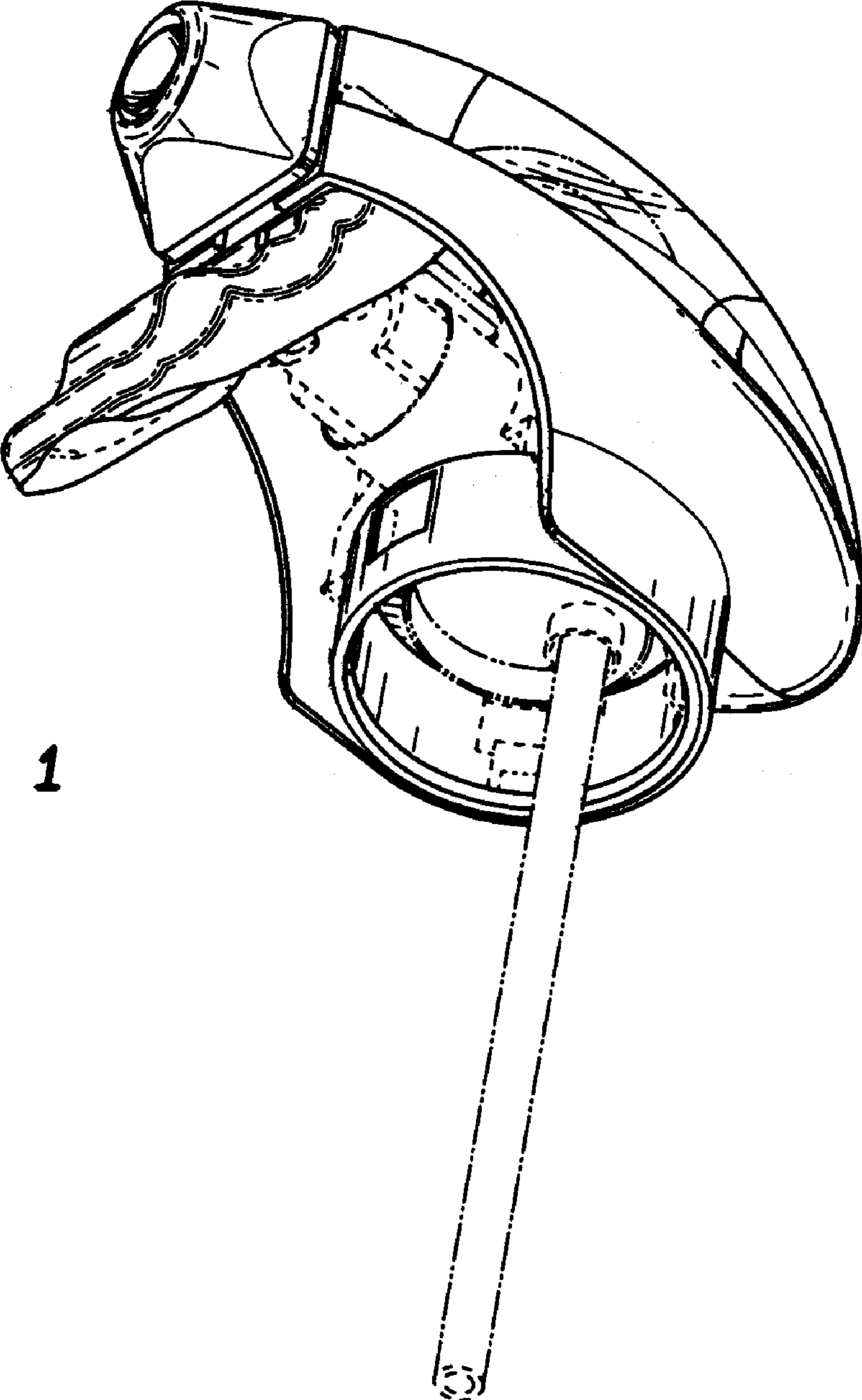
FIG. 6 is a top plan view of the spray dispenser of FIG. 1; and,

FIG. 7 is a bottom plan view of the spray dispenser of FIG. 1.

The broken lines are for illustrative purposes only and form no part of the claimed design.

**1 Claim, 7 Drawing Sheets**





**FIG. 1**

**FIG. 2**

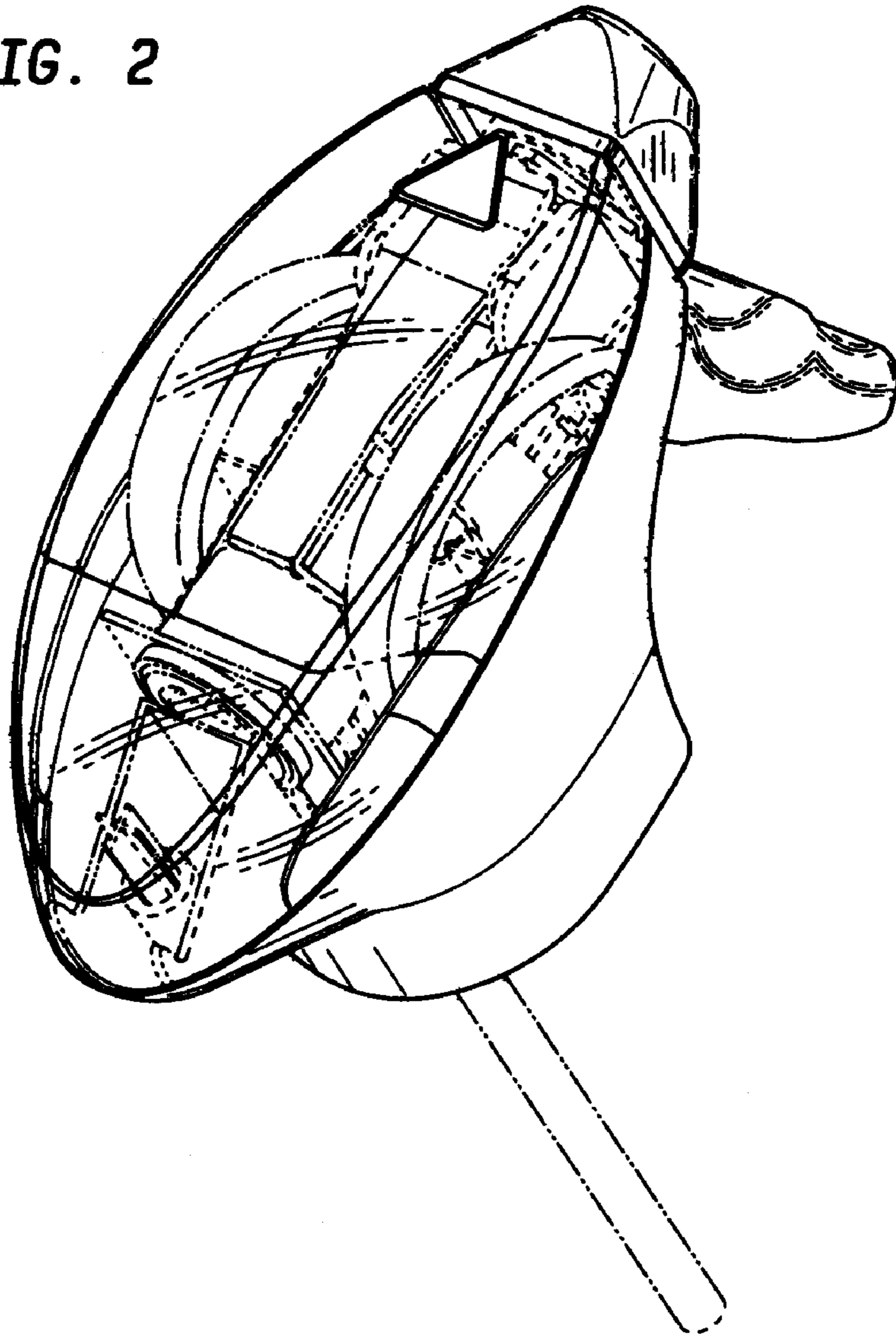
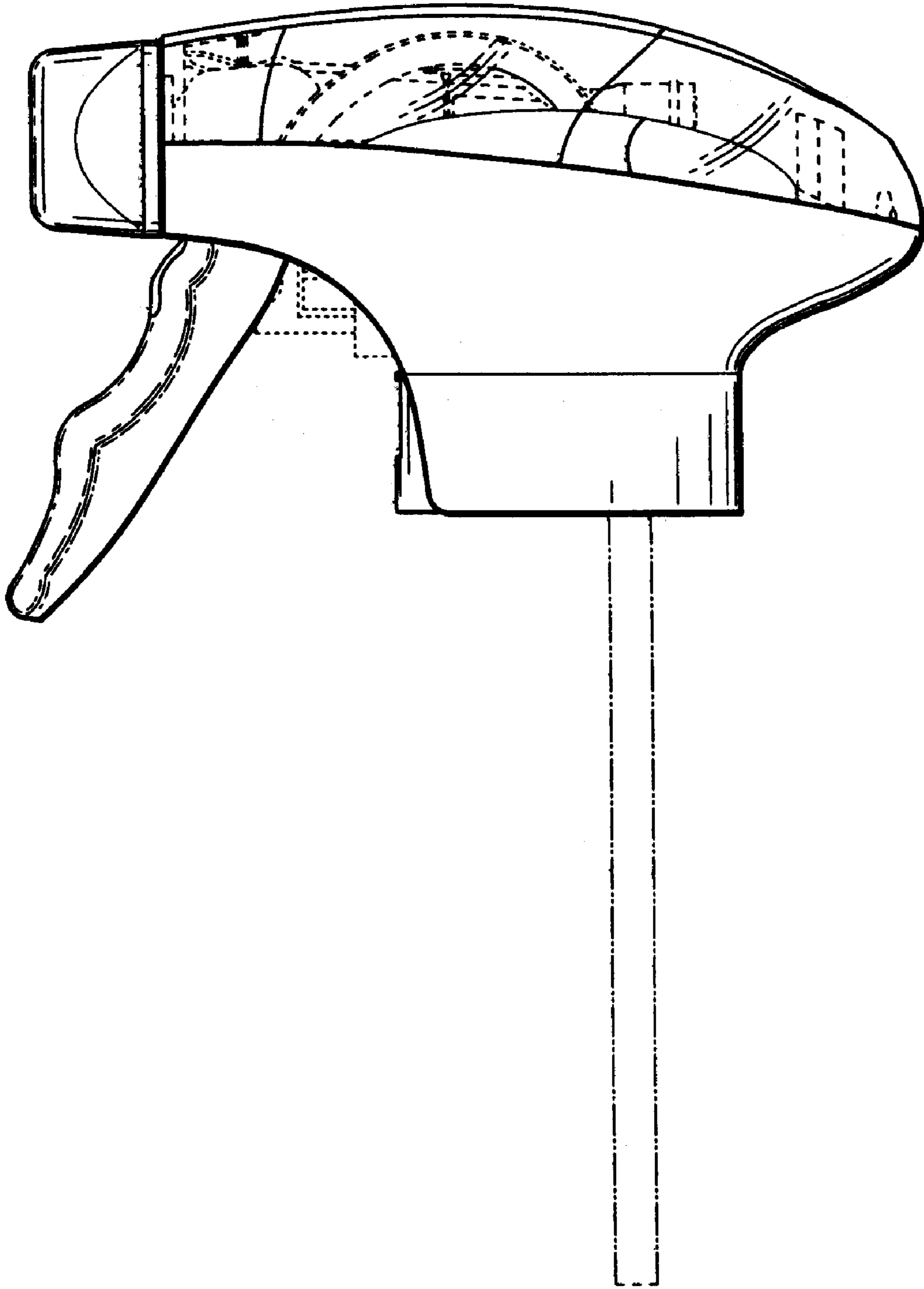
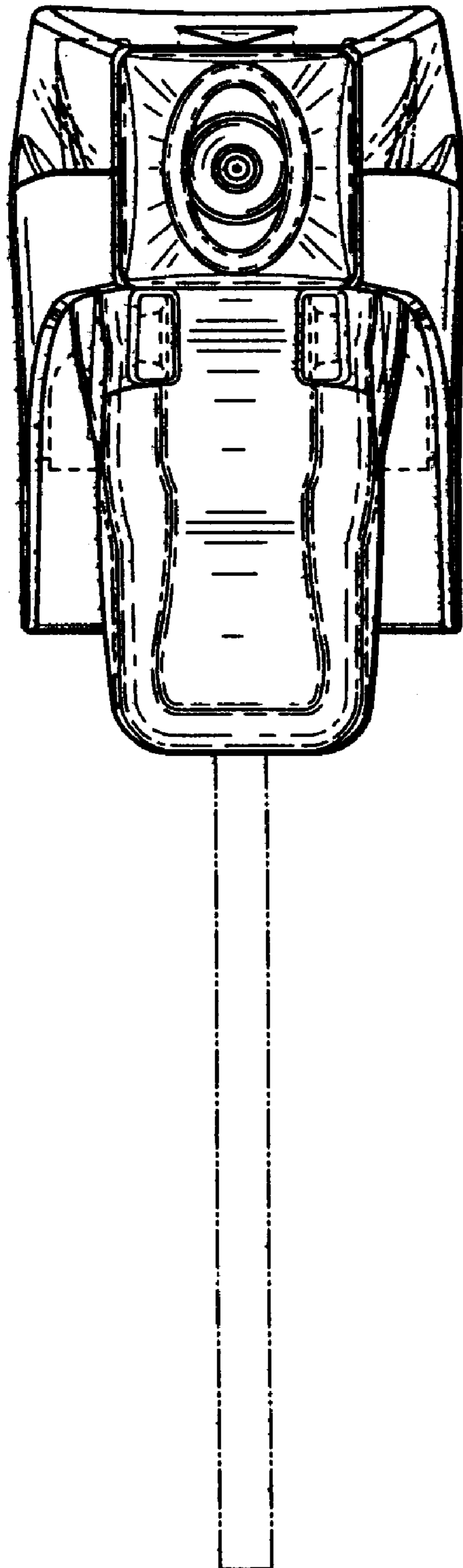


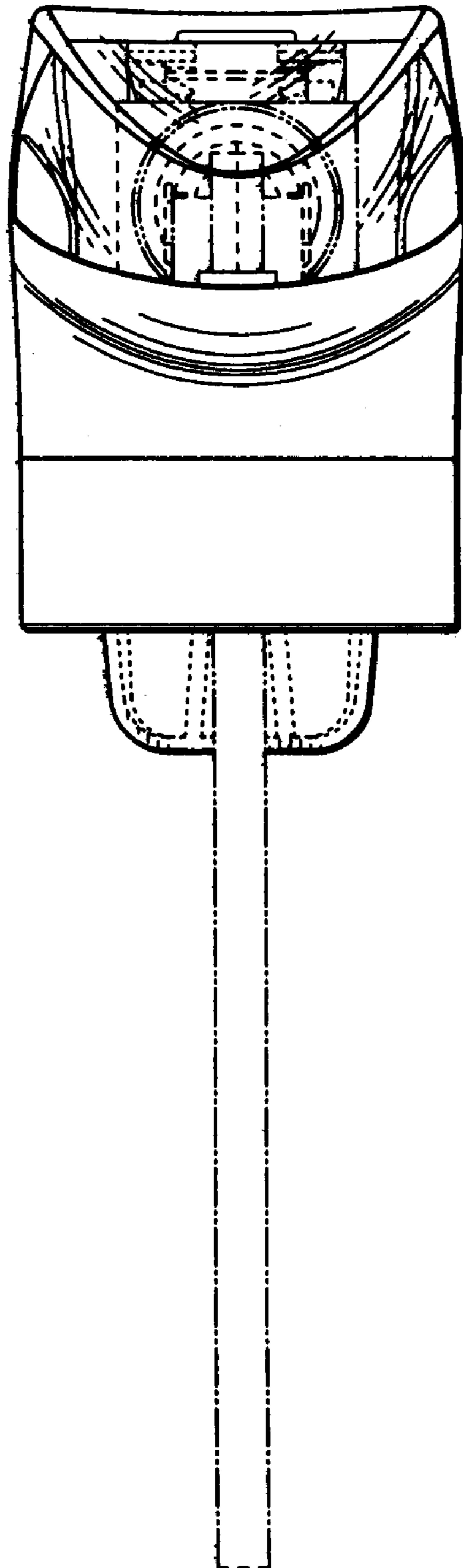
FIG. 3



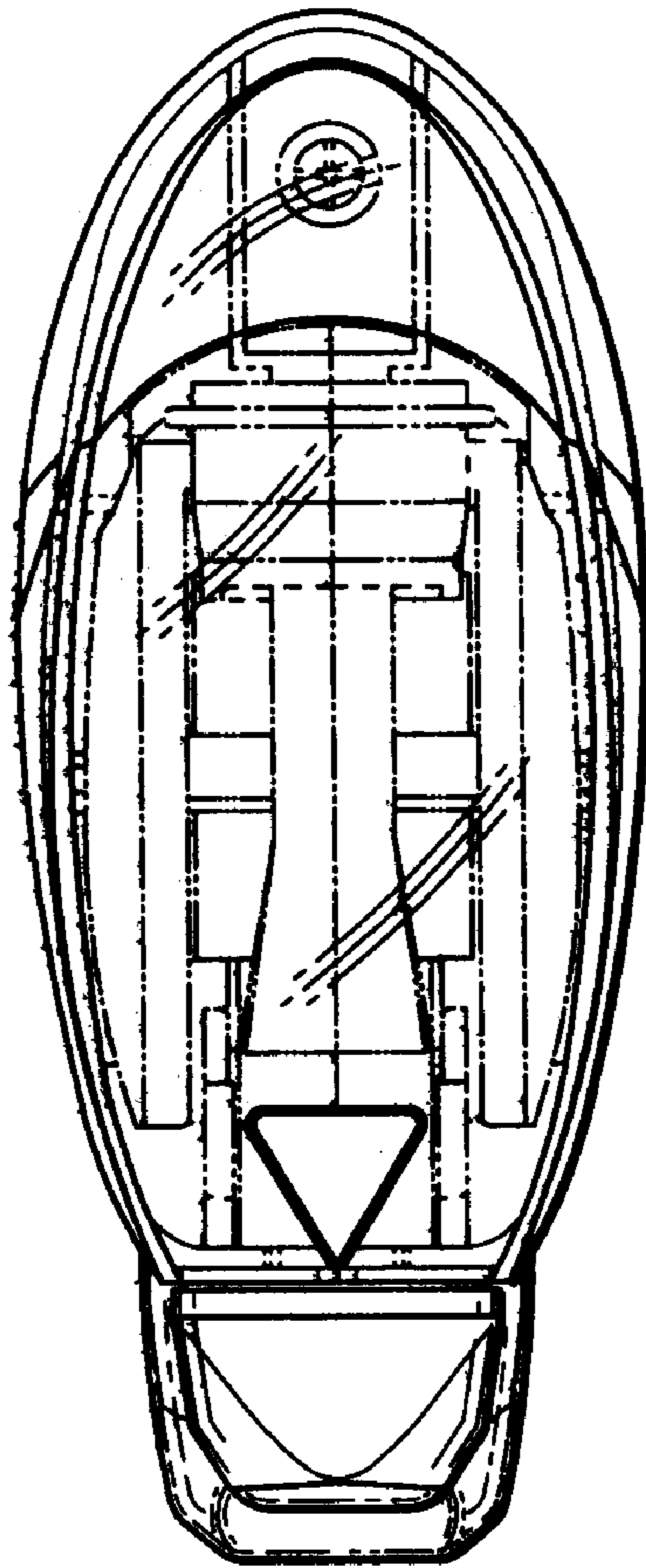
**FIG. 4**



**FIG. 5**



**FIG. 6**



**FIG. 7**

