



US00D553494S

(12) **United States Design Patent**
Dehlin

(10) **Patent No.:** **US D553,494 S**

(45) **Date of Patent:** **** Oct. 23, 2007**

(54) **PACKAGE**

(75) Inventor: **Marcus Dehlin**, Karlstad (SE)

(73) Assignee: **Stora Enso AB**, Karlstad (SE)

(**) Term: **14 Years**

(21) Appl. No.: **29/256,773**

(22) Filed: **Mar. 24, 2006**

(30) **Foreign Application Priority Data**

Sep. 28, 2005 (EM) 000407242-0001
Sep. 28, 2005 (EM) 000407242-0002
Sep. 28, 2005 (EM) 000407242-0003

(51) **LOC (8) Cl.** **09-03**

(52) **U.S. Cl.** **D9/432**

(58) **Field of Classification Search** D9/430-433,
D9/414-418, 761; 229/105-106, 108, 108.1,
229/100, 112-113, 115-116, 162.1, 922,
229/938; 206/551, 746, 457, 784, 822
See application file for complete search history.

(56) **References Cited**

U.S. PATENT DOCUMENTS

1,822,675 A * 9/1931 Greve 229/122
D390,108 S * 2/1998 Landis et al. D9/415
D434,319 S * 11/2000 Mori D9/423

D434,652 S * 12/2000 Mori D9/423

* cited by examiner

Primary Examiner—Robert A. Delehanty

(74) *Attorney, Agent, or Firm*—Greer, Burns, & Crain, Ltd.

(57) **CLAIM**

The ornamental design for a package, as shown and described.

DESCRIPTION

FIG. 1 is a perspective view of the package with an insert portion fully extended from a sleeve portion.

FIG. 2 is a top plan view of the package of FIG. 1.

FIG. 3 is a bottom plan view of the package of FIG. 1.

FIG. 4 is a front elevational view of the package of FIG. 1.

FIG. 5 is a rear elevational view of the package of FIG. 1.

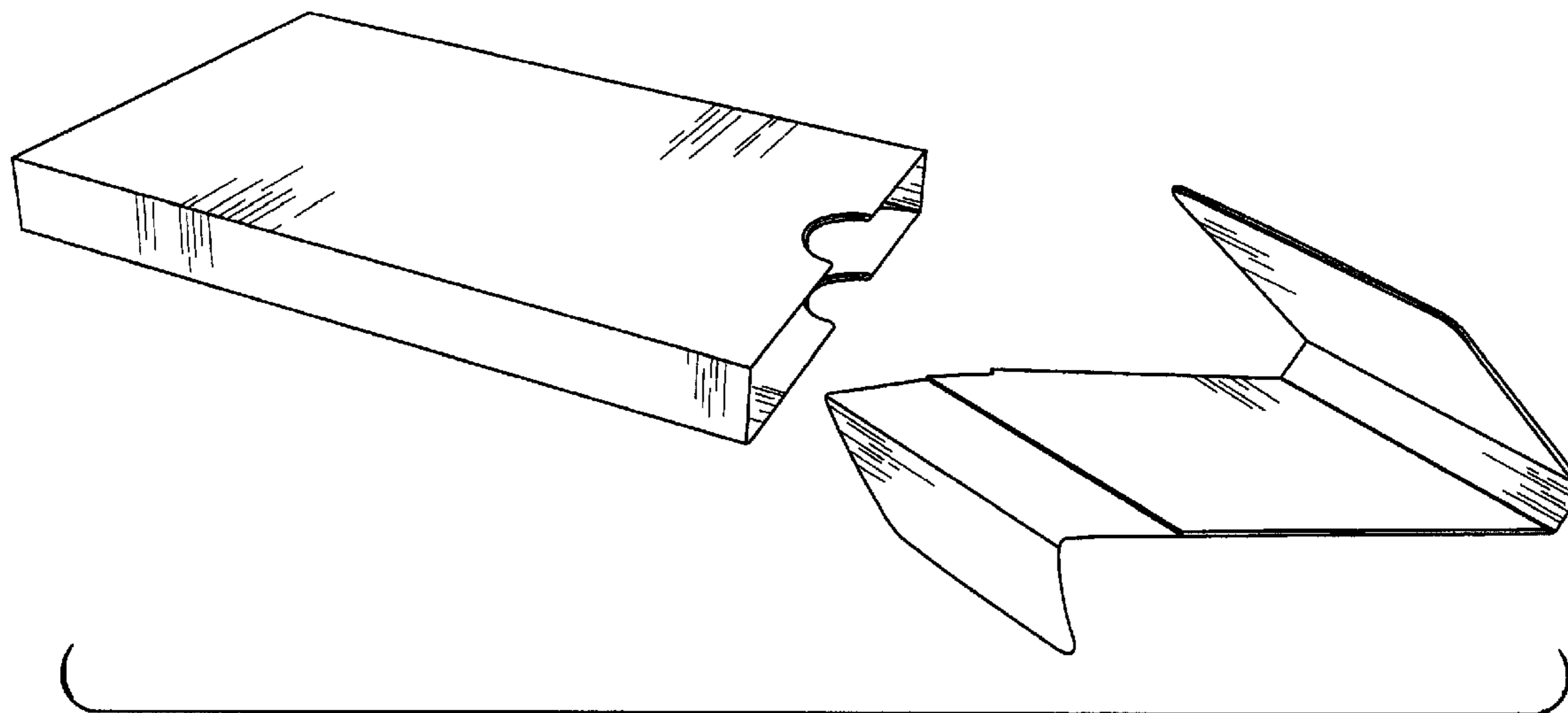
FIG. 6 is an elevational view of one side of the package of FIG. 1.

FIG. 7 is an elevational view of the other side of the package of FIG. 1.

FIG. 8 is a perspective view of the package closed, i.e., with the insert portion retracted within the sleeve portion; and,

FIG. 9 is an exploded view of the package, showing the insert portion separated from the sleeve portion.

1 Claim, 9 Drawing Sheets



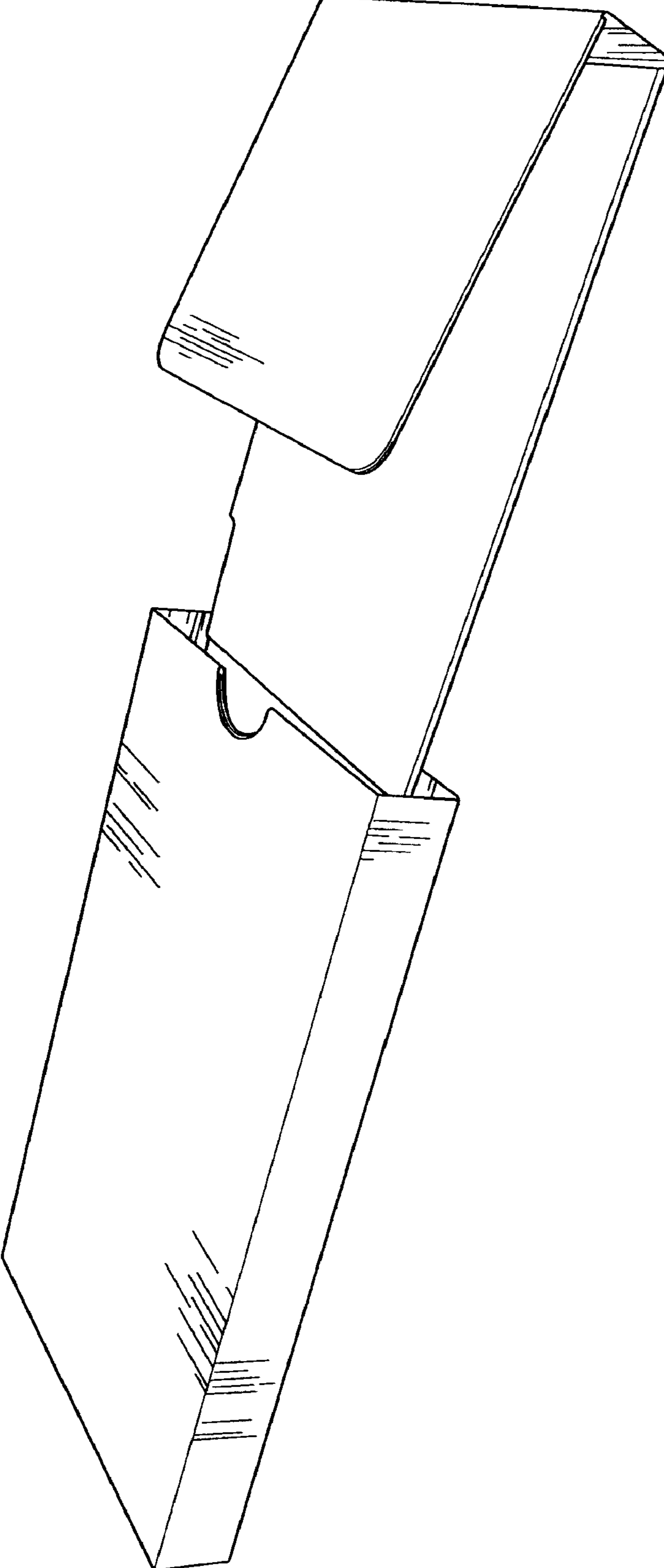


FIG.1

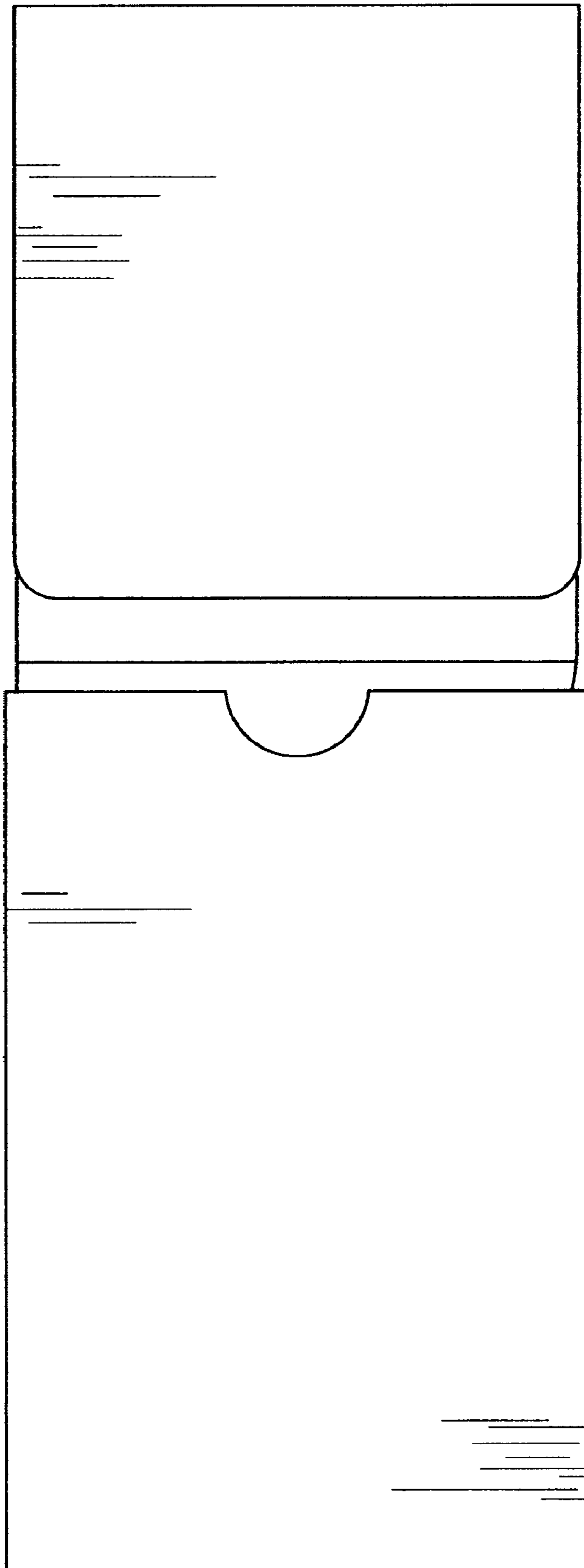


FIG. 2

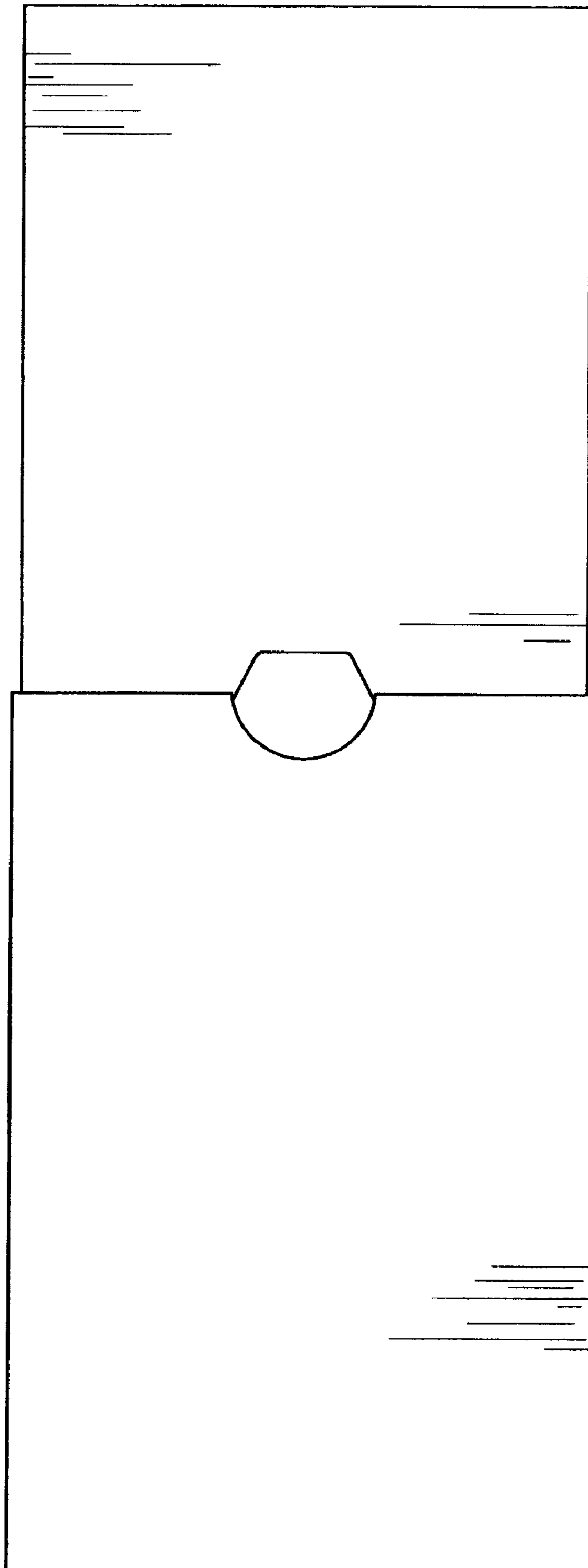


FIG.3

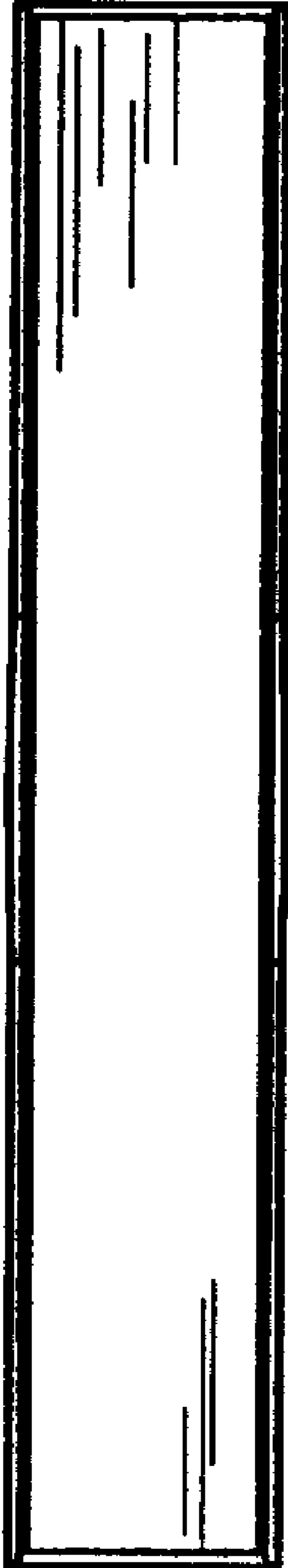


FIG.4

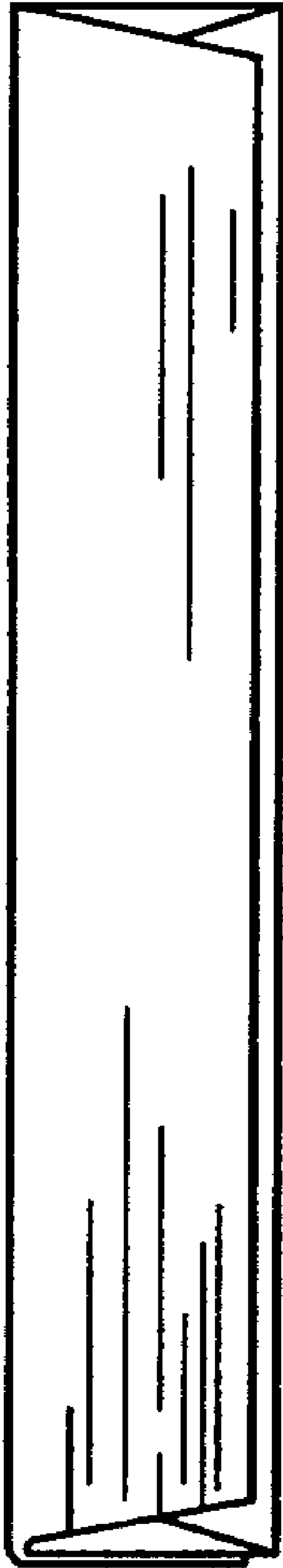


FIG. 5

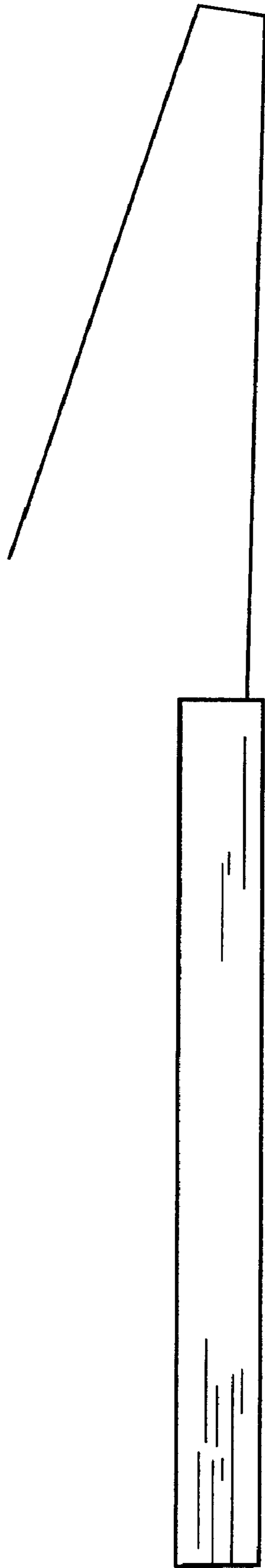


FIG.6

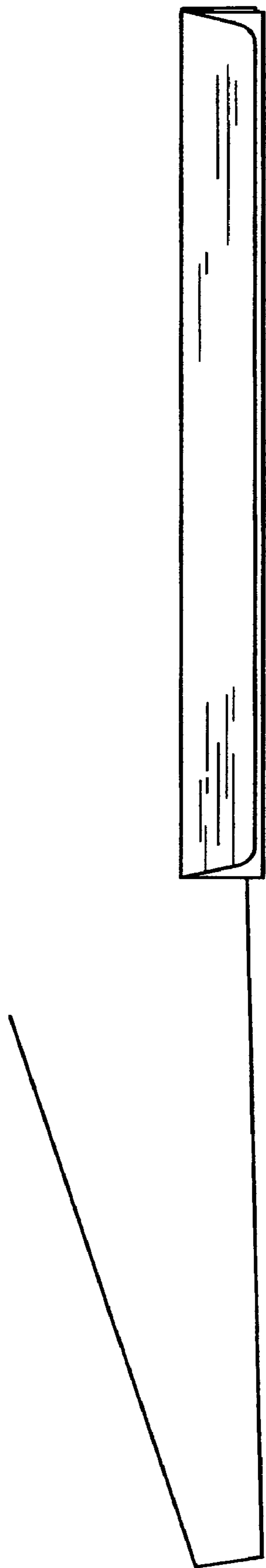


FIG.7

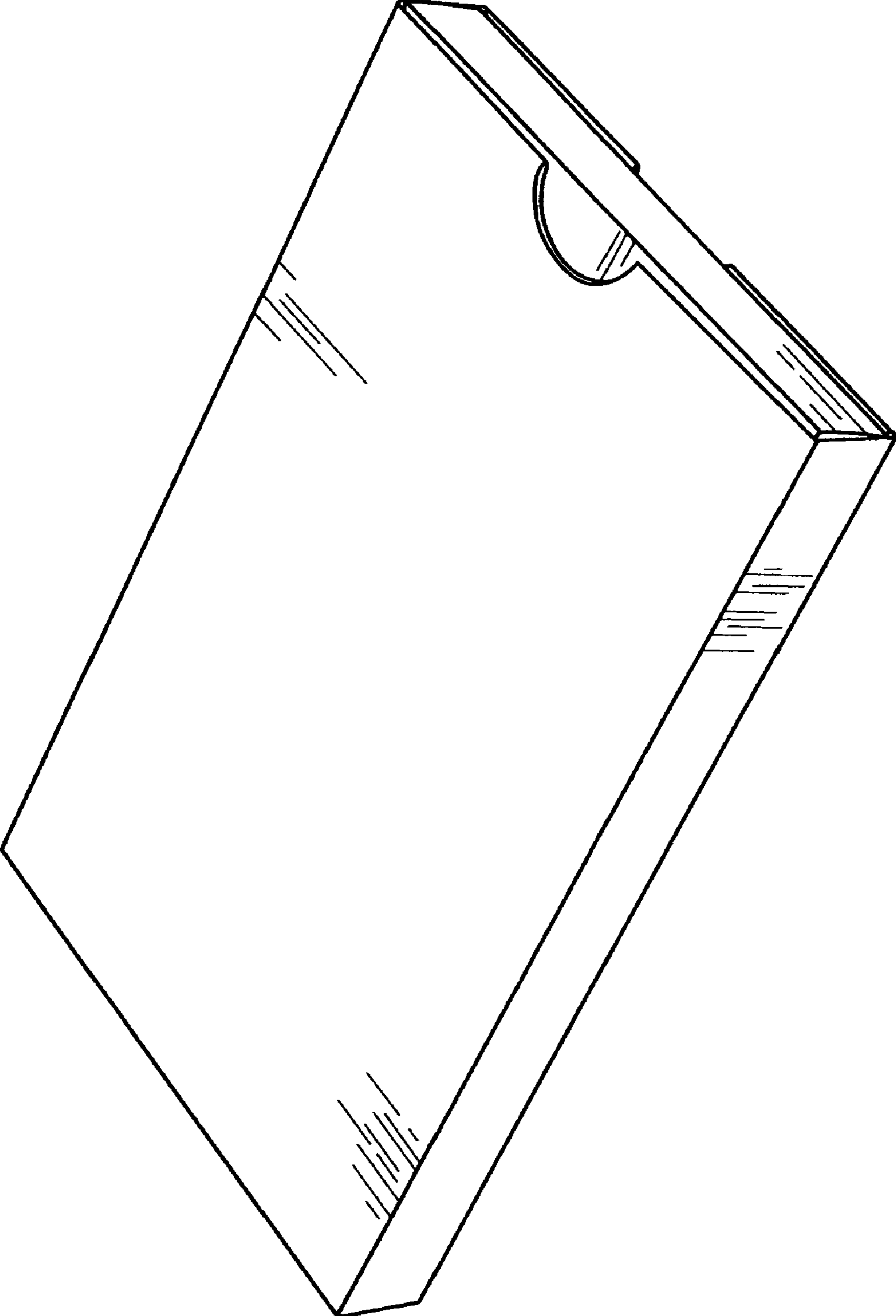


FIG.8

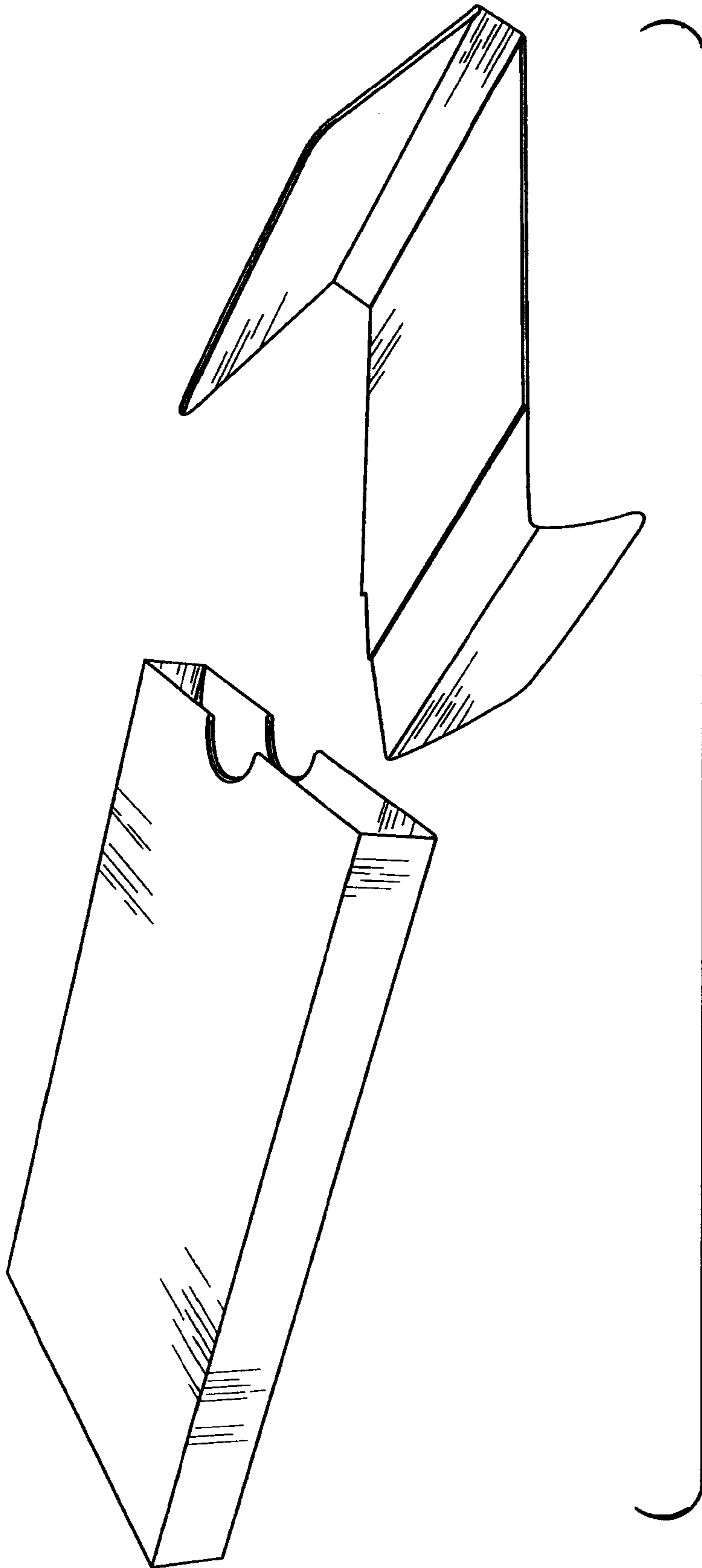


FIG.9