



US00D553489S

(12) **United States Design Patent**
Lambert et al.

(10) **Patent No.:** **US D553,489 S**
(45) **Date of Patent:** **** Oct. 23, 2007**

(54) **RECTANGULAR PLASTIC CONTAINER WITH MOVABLE CORNERS**

(75) Inventors: **Janni Lambert, St-Nicéphore (CA); Patrice Clerc, Sherbrooke (CA)**

(73) Assignee: **Cascades Inopak, a division of Cascades Canada Inc., Montreal (CA)**

(**) Term: **14 Years**

(21) Appl. No.: **29/240,232**

(22) Filed: **Oct. 12, 2005**

(30) **Foreign Application Priority Data**

Jul. 4, 2005 (CA) 111654

(51) **LOC (8) Cl.** **09-03**

(52) **U.S. Cl.** **D9/420; D9/425; D9/423**

(58) **Field of Classification Search** D9/414-435, D9/438, 443, 744, 730, 733, 759; D7/590, D7/596, 598, 601, 629, 538-549; D6/512, D6/515, 518; D3/294, 273, 302, 203.2, 318; D28/4, 7, 73, 77, 85; D24/131; 220/270, 220/265, 315, 810, 283, 254.1-254.9, 259.1-259.5; 221/26, 33, 45; 206/528, 530; 222/92-97
See application file for complete search history.

(56) **References Cited**

U.S. PATENT DOCUMENTS

3,442,377 A * 5/1969 Angelus 220/801

D365,273 S * 12/1995 Indeku D9/434
D443,173 S * 6/2001 Danielsen et al. D7/354
D475,239 S * 6/2003 Claypool D7/392.1
D482,277 S * 11/2003 Castellanos et al. D9/425
D521,380 S * 5/2006 Jackson et al. D9/435
D526,157 S * 8/2006 Laib et al. D7/392.1

* cited by examiner

Primary Examiner—Stella Reid

Assistant Examiner—Thomas Johannes

(74) *Attorney, Agent, or Firm*—Dowell & Dowell, P.C.

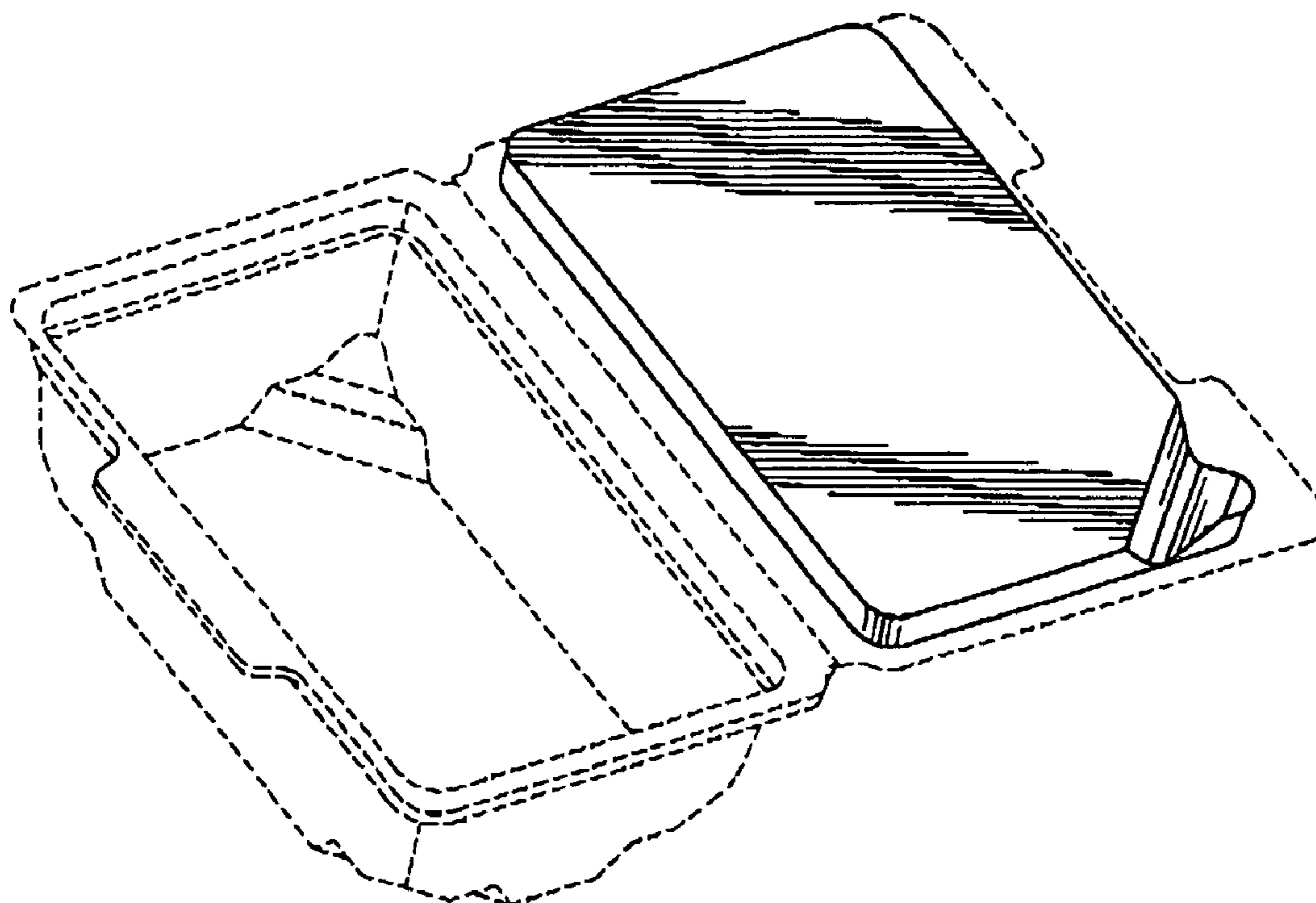
(57) **CLAIM**

The ornamental design for a rectangular plastic container with movable corners, as shown and described.

DESCRIPTION

FIG. 1 is a front perspective view of a rectangular plastic container with moveable corners, showing my new design; FIG. 2 is a top plan view thereof; FIG. 3 is a front elevation view thereof; FIG. 4 is a right side elevation view thereof; FIG. 5 is a left side elevation view thereof; and, FIG. 6 is a rear elevation view thereof.

1 Claim, 3 Drawing Sheets



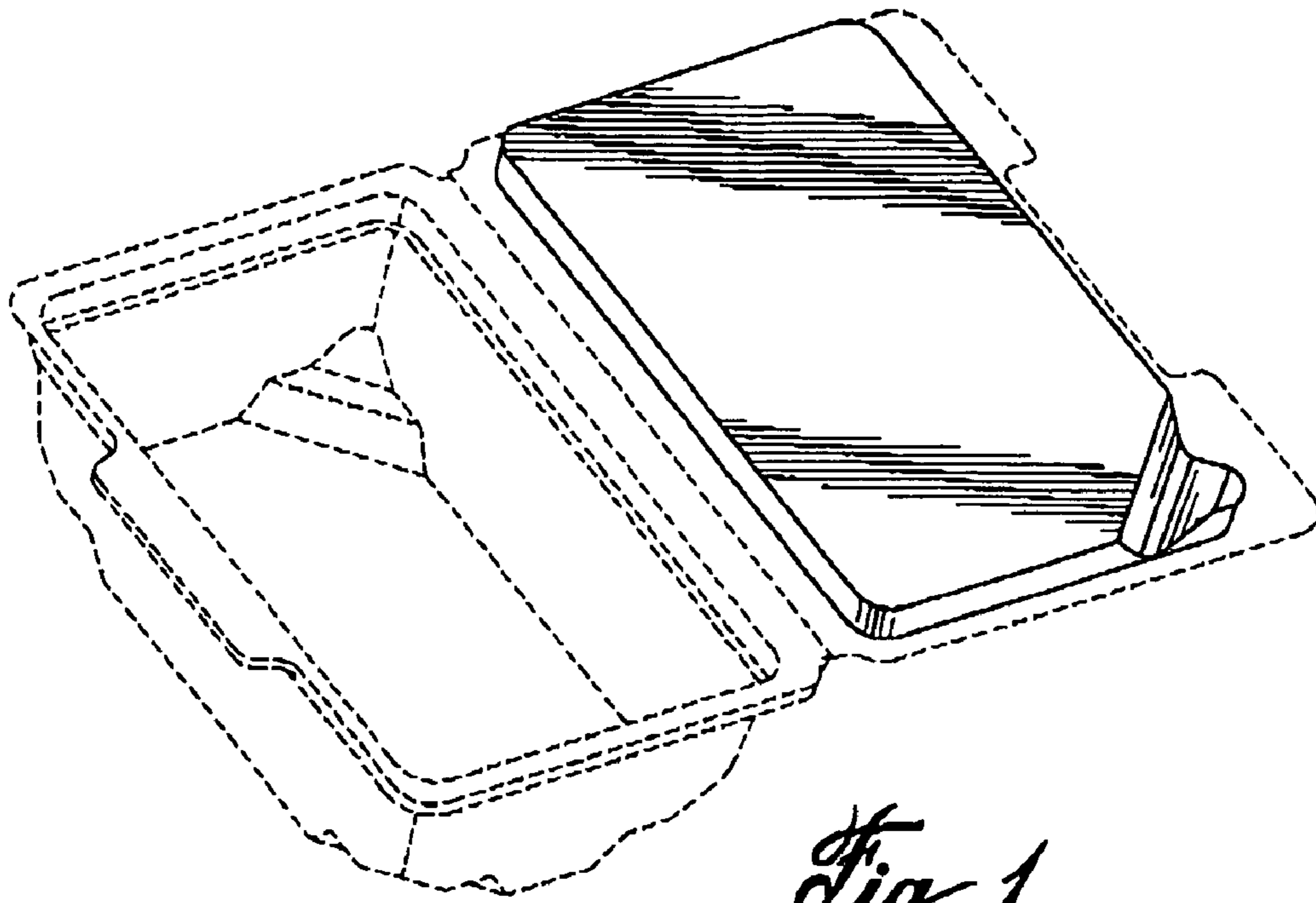


Fig. 1

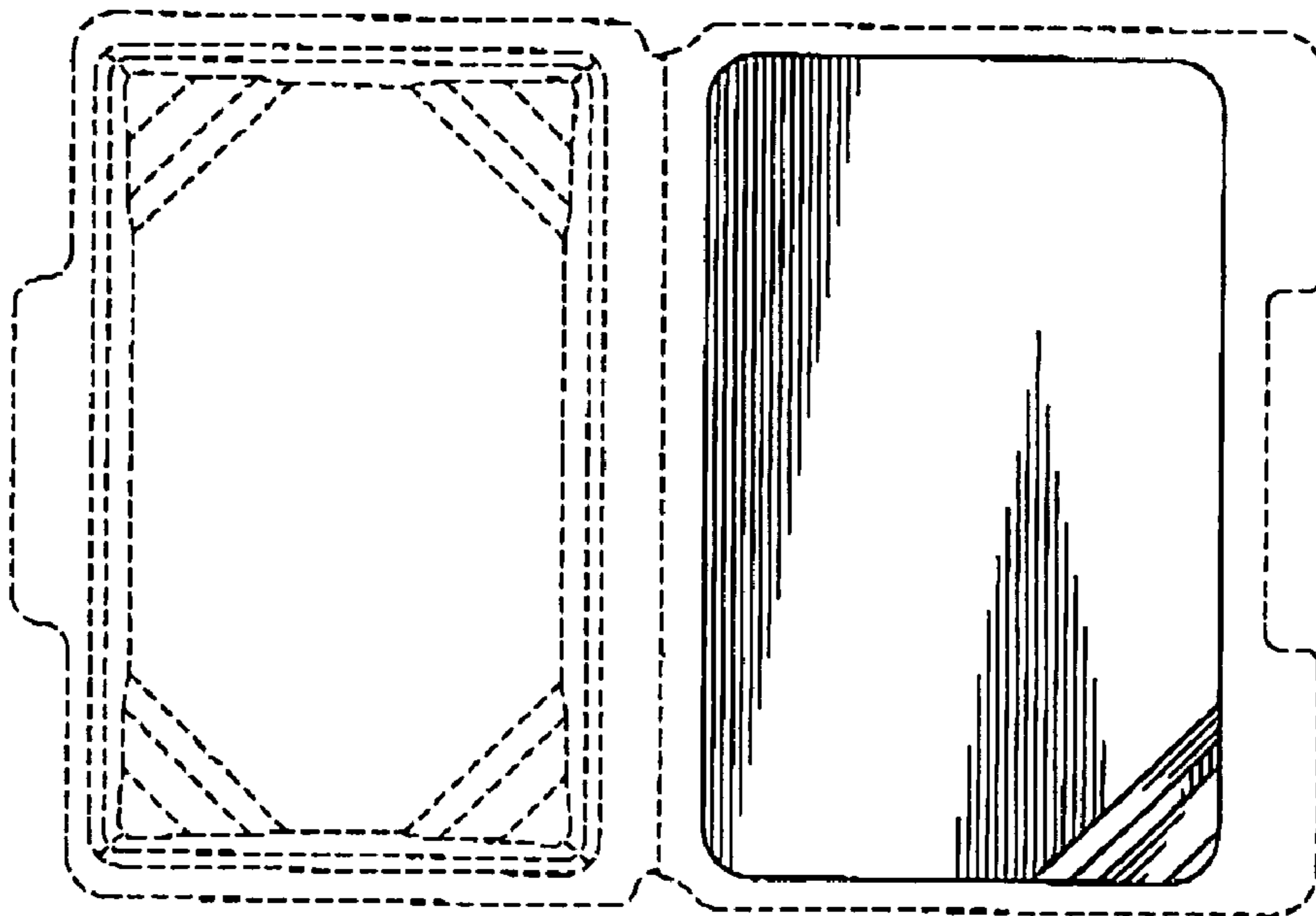


Fig. 2

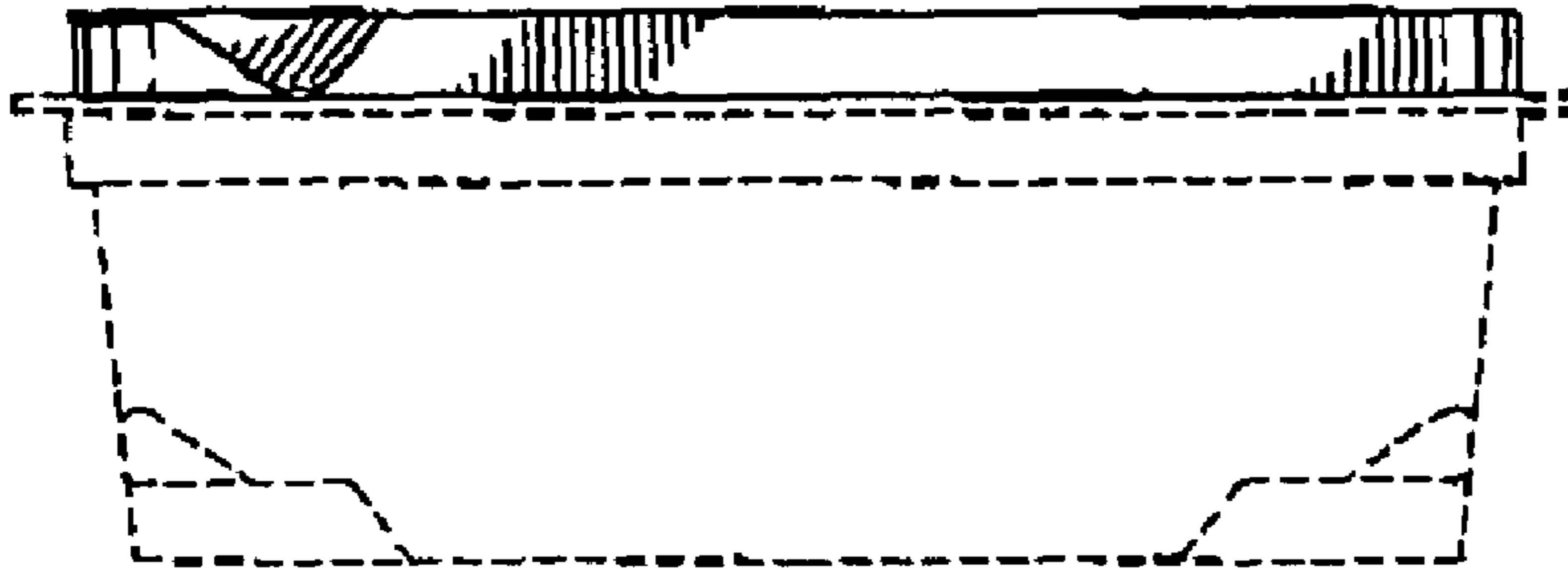


Fig. 3

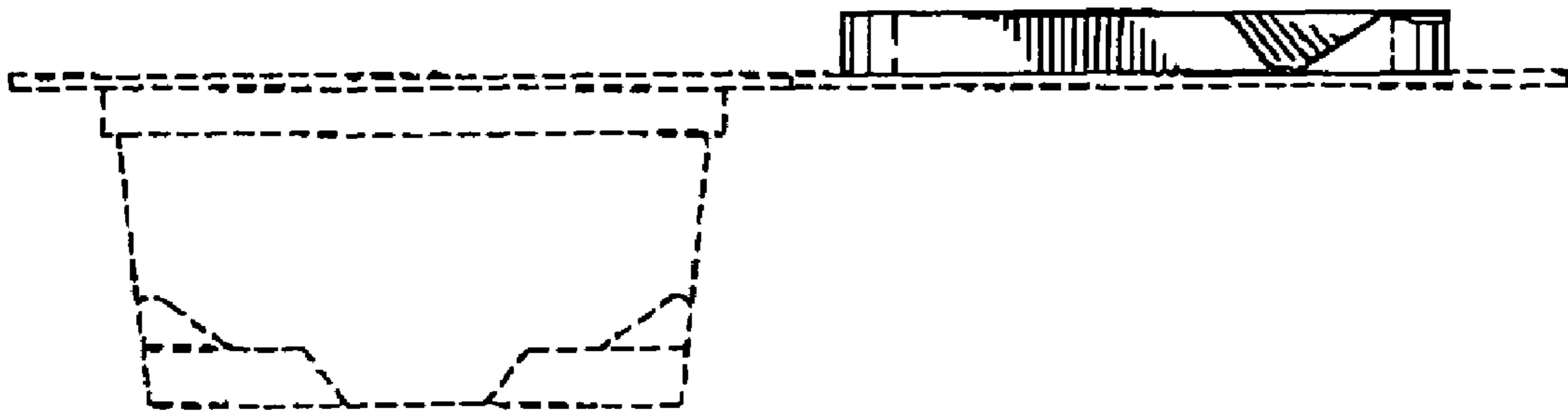


Fig. 4

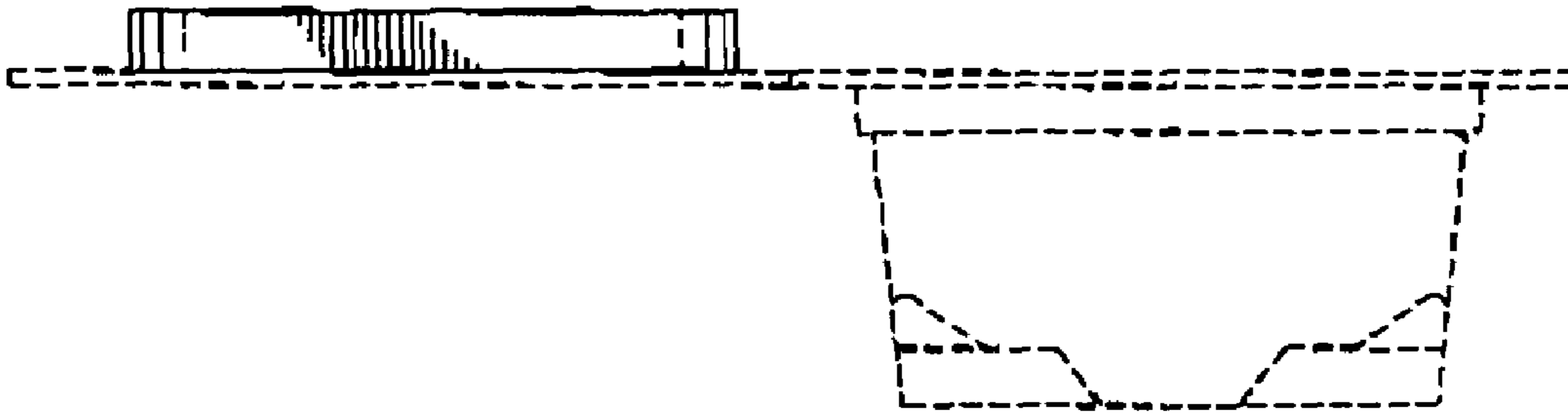


Fig. 5

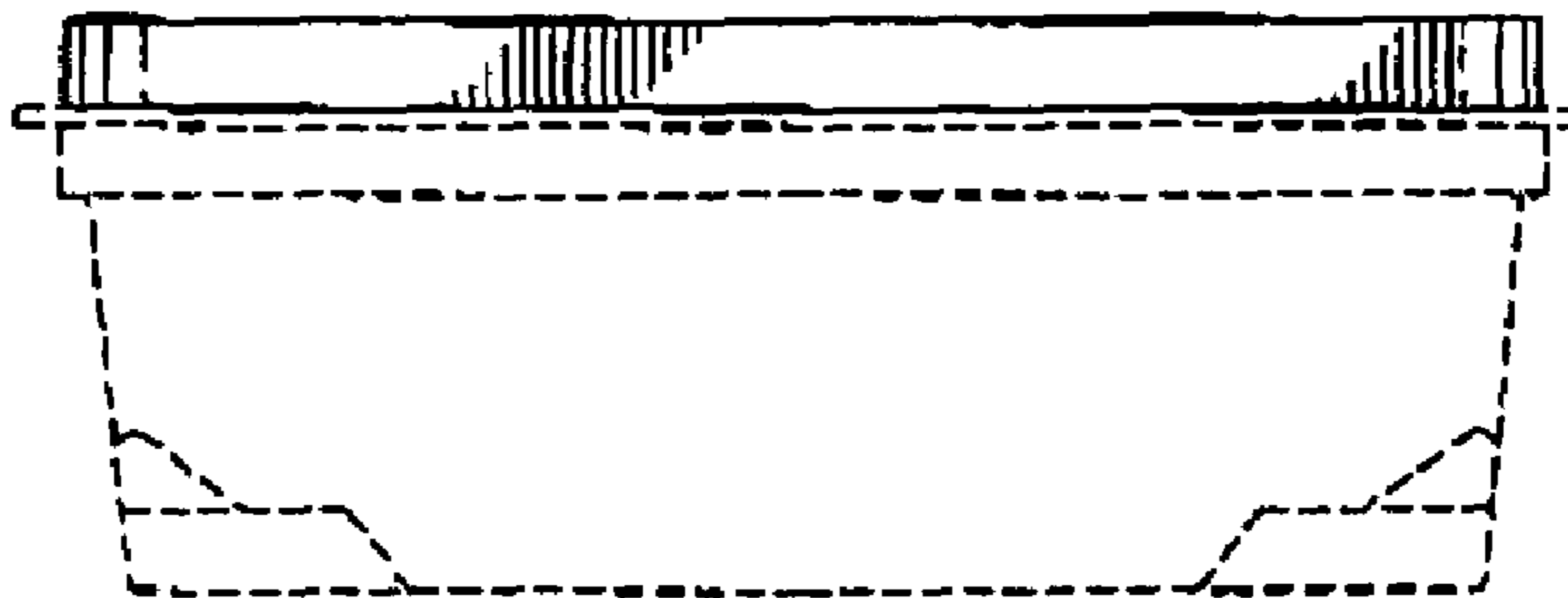


Fig. 6