



US00D553488S

(12) **United States Design Patent**
Pacheco

(10) **Patent No.:** **US D553,488 S**

(45) **Date of Patent:** **** Oct. 23, 2007**

(54) **DISPLAY CONTAINER**

(76) Inventor: **Waldo Pacheco**, 25762 Avenue
Barbazon, Oakbrook, IL (US) 60523

(**) Term: **14 Years**

(21) Appl. No.: **29/261,854**

(22) Filed: **Jun. 21, 2006**

(51) **LOC (8) Cl.** **09-03**

(52) **U.S. Cl.** **D9/418; D9/432**

(58) **Field of Classification Search** D9/414-433,
D9/457, 701, 341-348, 560, 730-762, 304,
D9/227; 206/461-471, 495, 806; 229/122,
229/125, 11, 131.1

See application file for complete search history.

(56) **References Cited**

U.S. PATENT DOCUMENTS

D157,468 S *	2/1950	Burger	D9/424
2,767,831 A *	10/1956	Brecht	206/423
3,406,816 A *	10/1968	Green et al.	446/73
D222,438 S *	10/1971	Litton	D9/418
D229,394 S *	11/1973	de Givenchy	D9/739
D242,022 S *	10/1976	Bish	D9/432
4,071,064 A *	1/1978	Saul	220/324
D259,922 S *	7/1981	Seki	D9/418
4,317,515 A *	3/1982	Feeley et al.	206/315.1
D266,489 S *	10/1982	Toback	D9/455
D274,752 S *	7/1984	Byrne	D24/223
D287,821 S *	1/1987	Holewinski et al.	D9/414
5,100,052 A *	3/1992	Vajtay	229/162.4
D367,226 S *	2/1996	Ransbottom	D9/418

D430,396 S *	9/2000	Biesecker	D3/273
D431,776 S *	10/2000	Oetken et al.	D9/418
D464,883 S *	10/2002	Weinstein et al.	D9/430
D472,808 S *	4/2003	Gelardi et al.	D9/428
D503,884 S *	4/2005	Camilleri-Oller et al.	D9/432
D518,291 S *	4/2006	Zou et al.	D3/255
D519,829 S *	5/2006	Campo	D9/418

* cited by examiner

Primary Examiner—Louis S. Zarfes

Assistant Examiner—Susan E. Krakower

(74) *Attorney, Agent, or Firm*—Koda & Androlia

(57) **CLAIM**

The ornamental design for a display container, as shown and described.

DESCRIPTION

FIG. 1 is a front elevational view of the display container showing my new design, the rear elevations view appearing the same as the front elevational view;

FIG. 2 is a left side elevational view thereof, the right side elevational view being a mirror image of the left side elevational view;

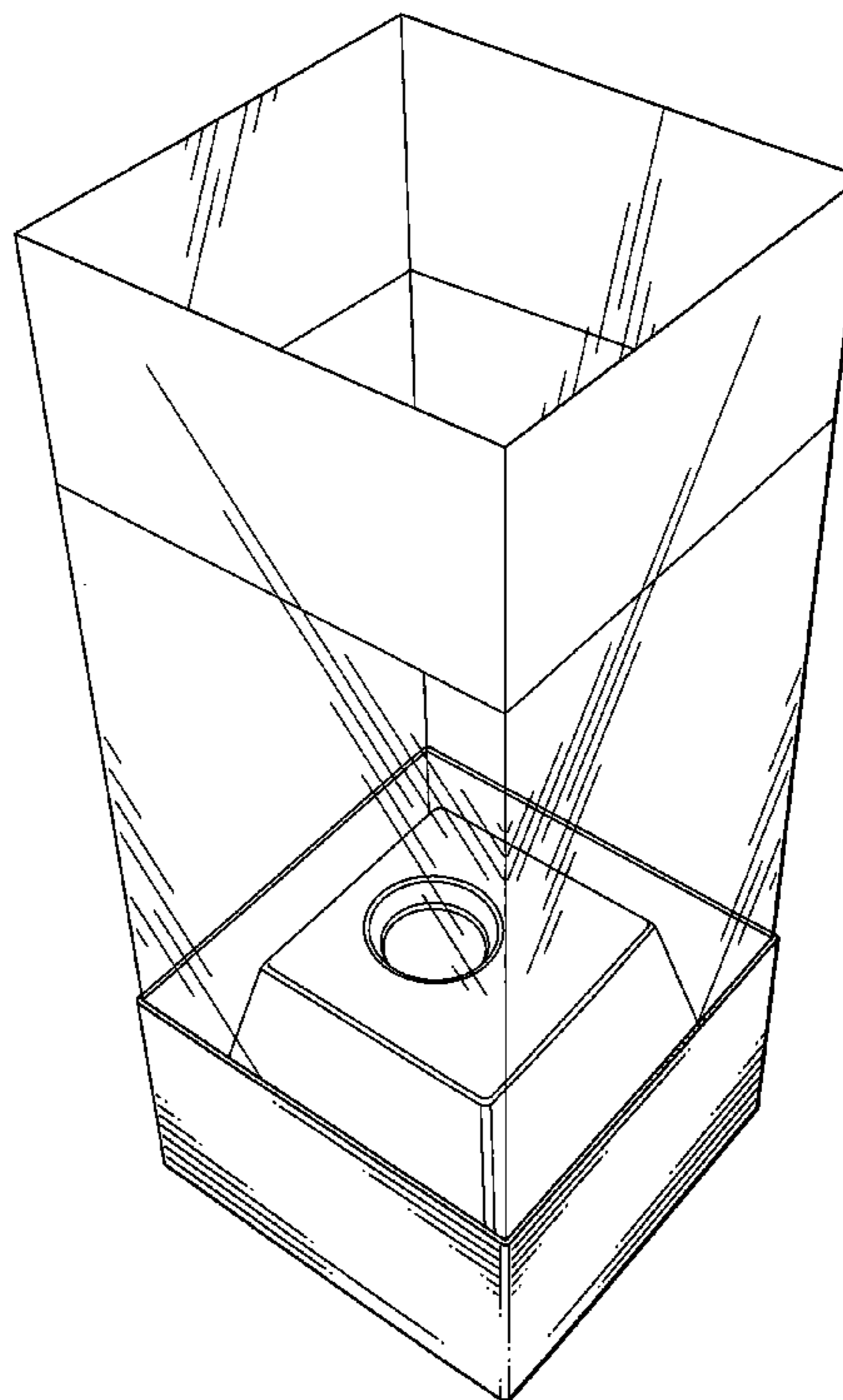
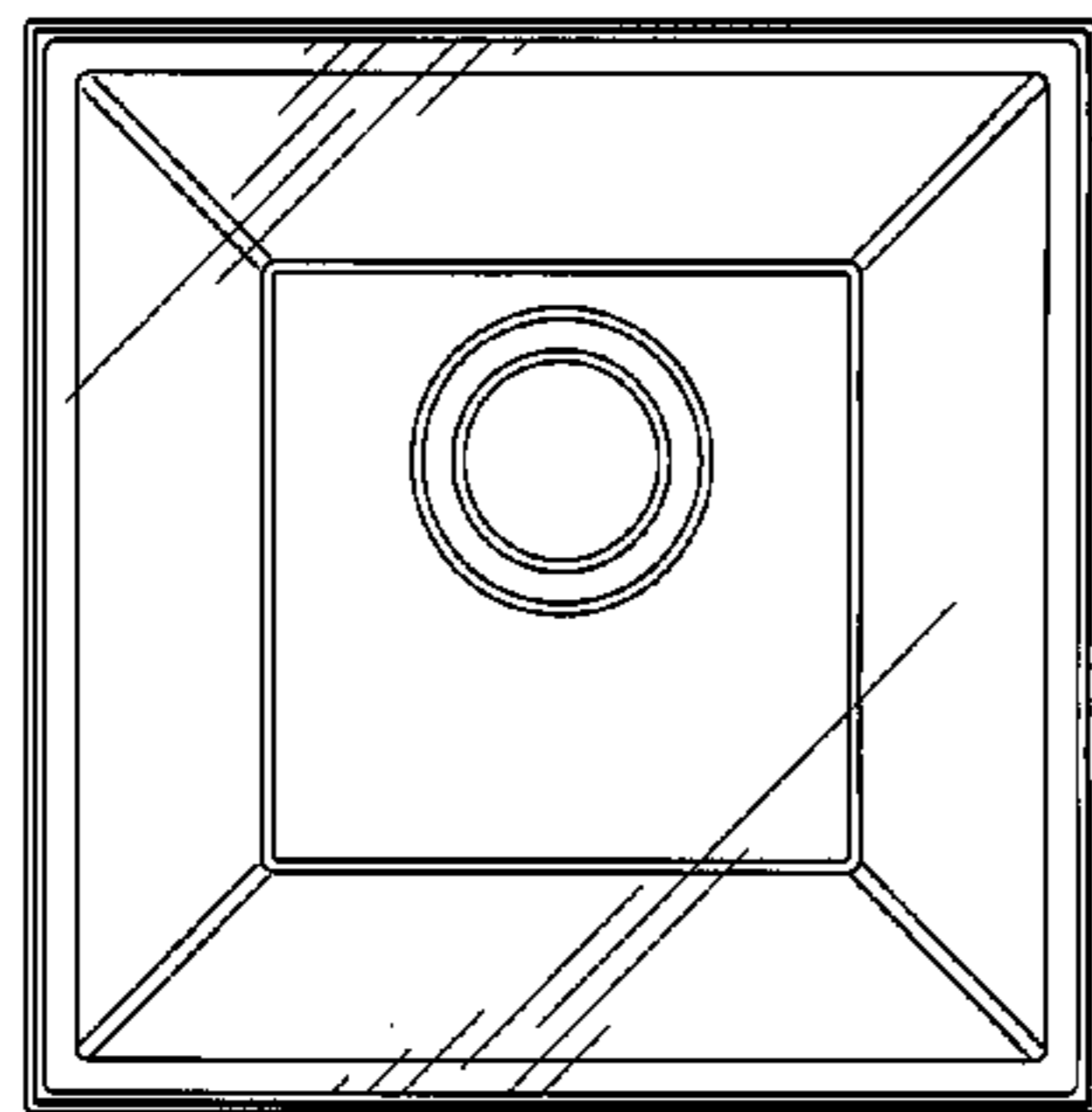
FIG. 3 is a top plan view thereof,

FIG. 4 is a bottom plan view thereof;

FIG. 5 is a perspective view thereof taken from the left side, front and top; and,

FIG. 6 is a perspective view of the inner part thereof, which is removed for clarity of illustration.

1 Claim, 5 Drawing Sheets



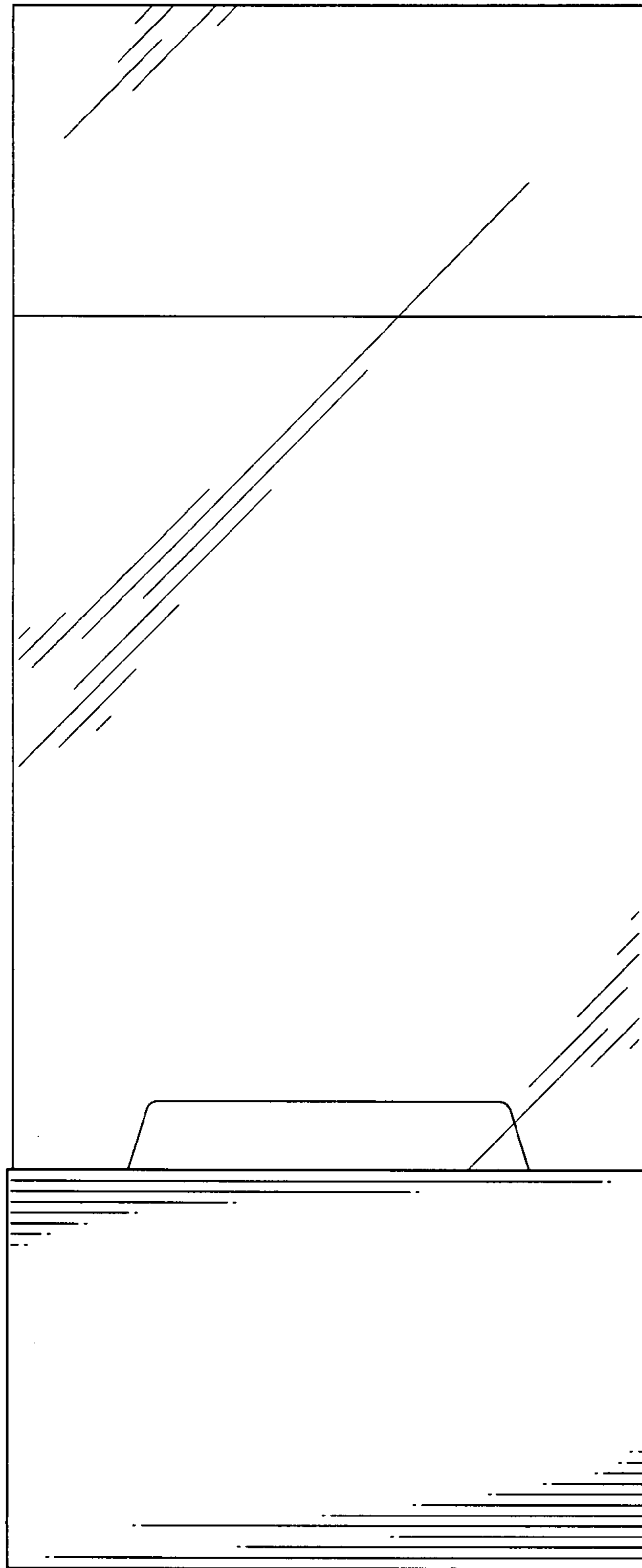


FIG. 1

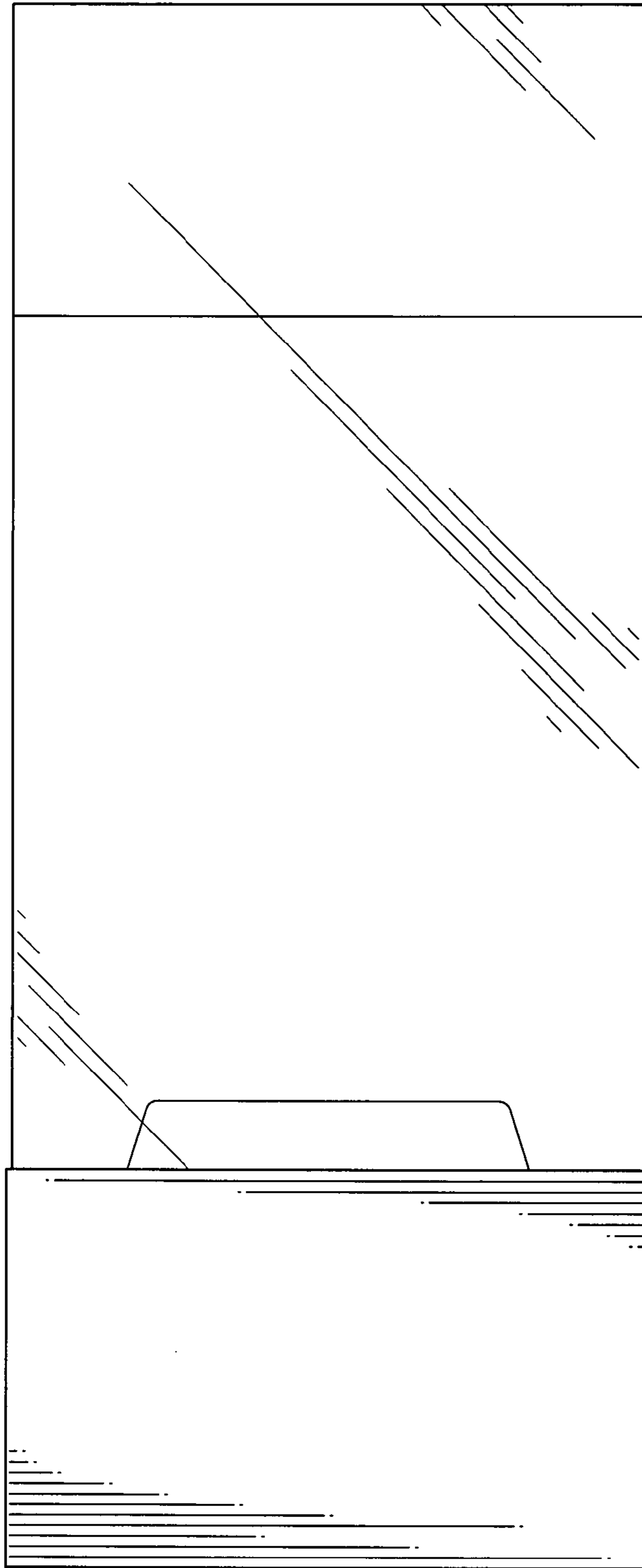


FIG. 2

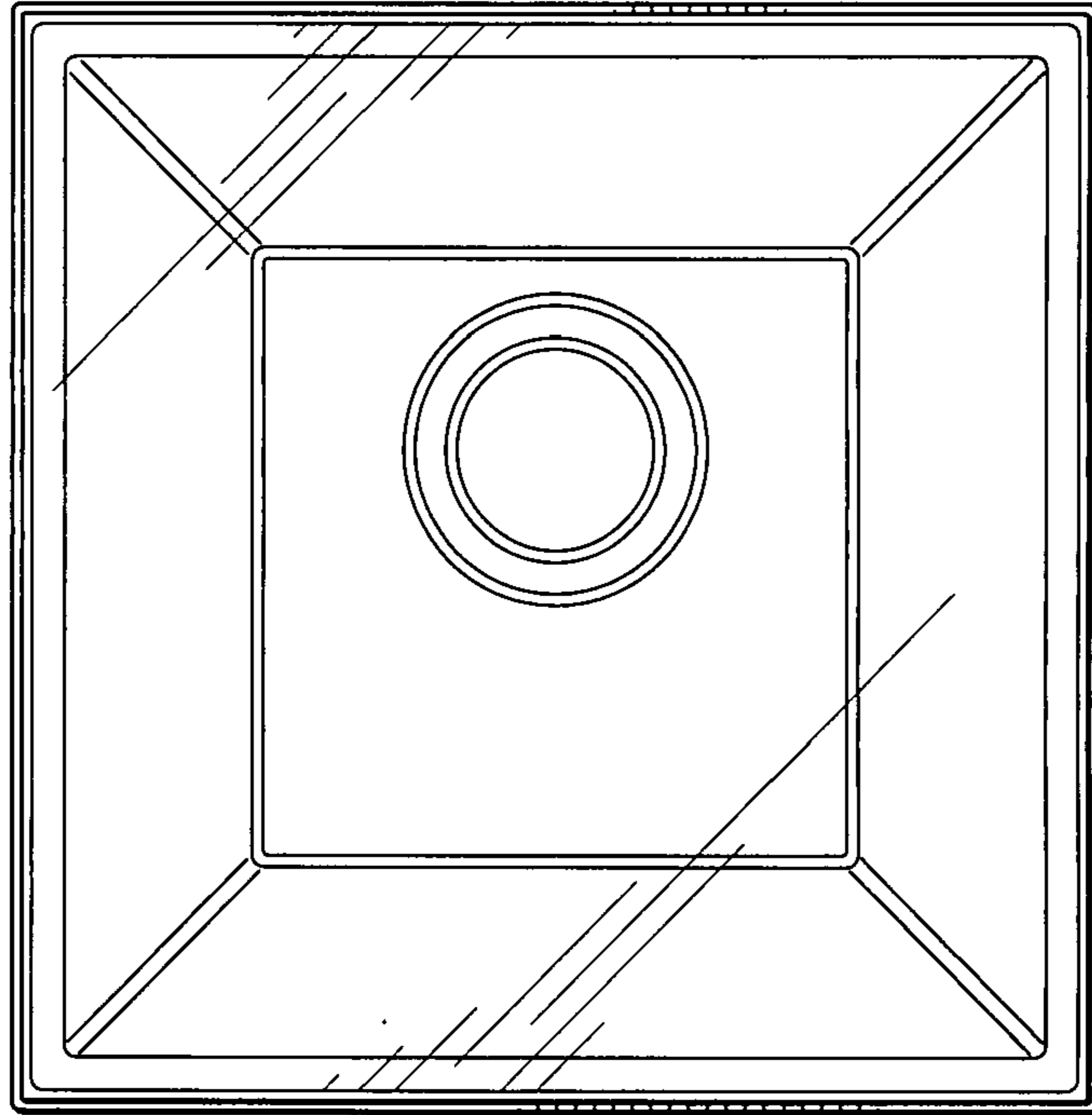


FIG. 3

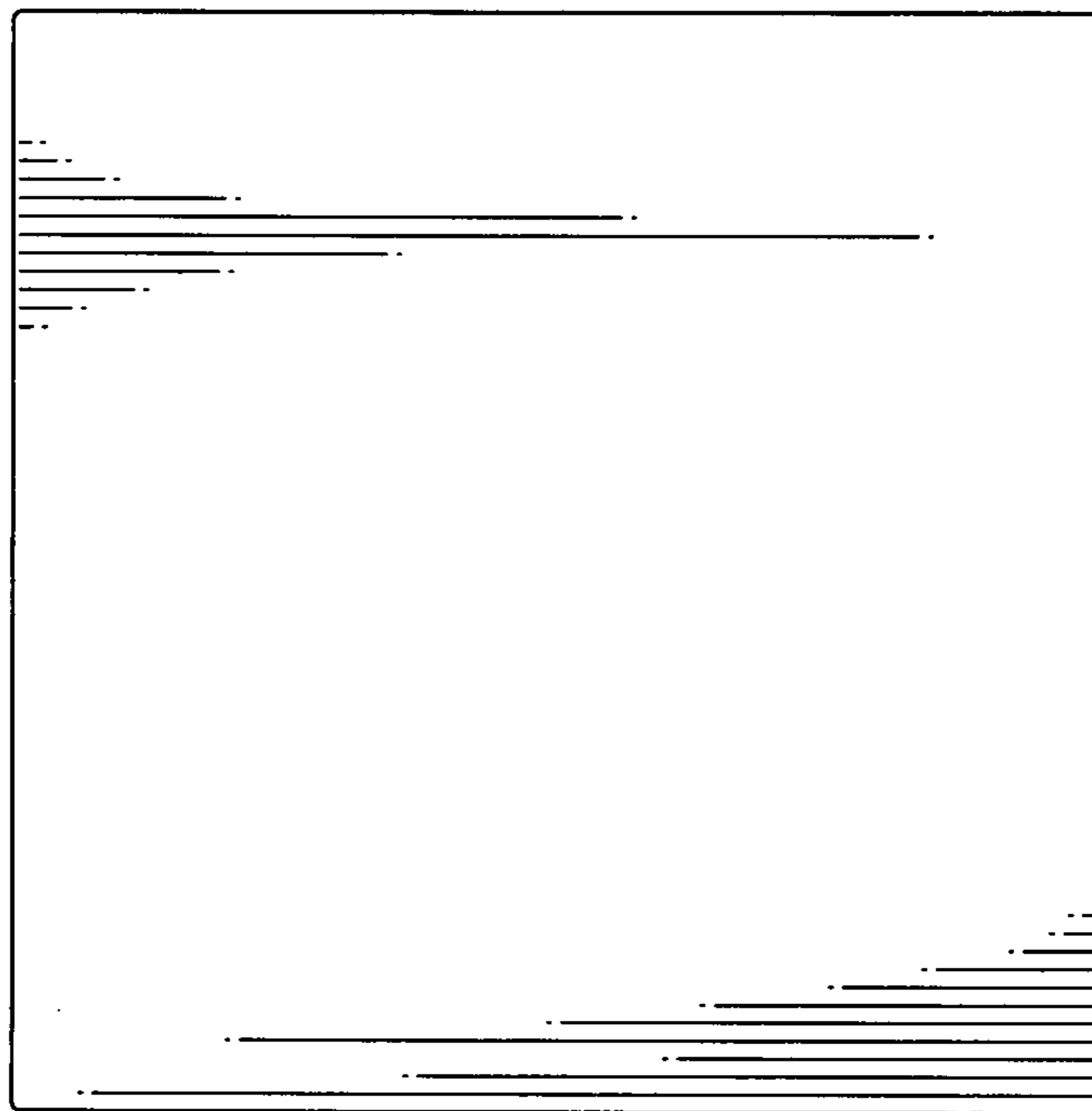


FIG. 4

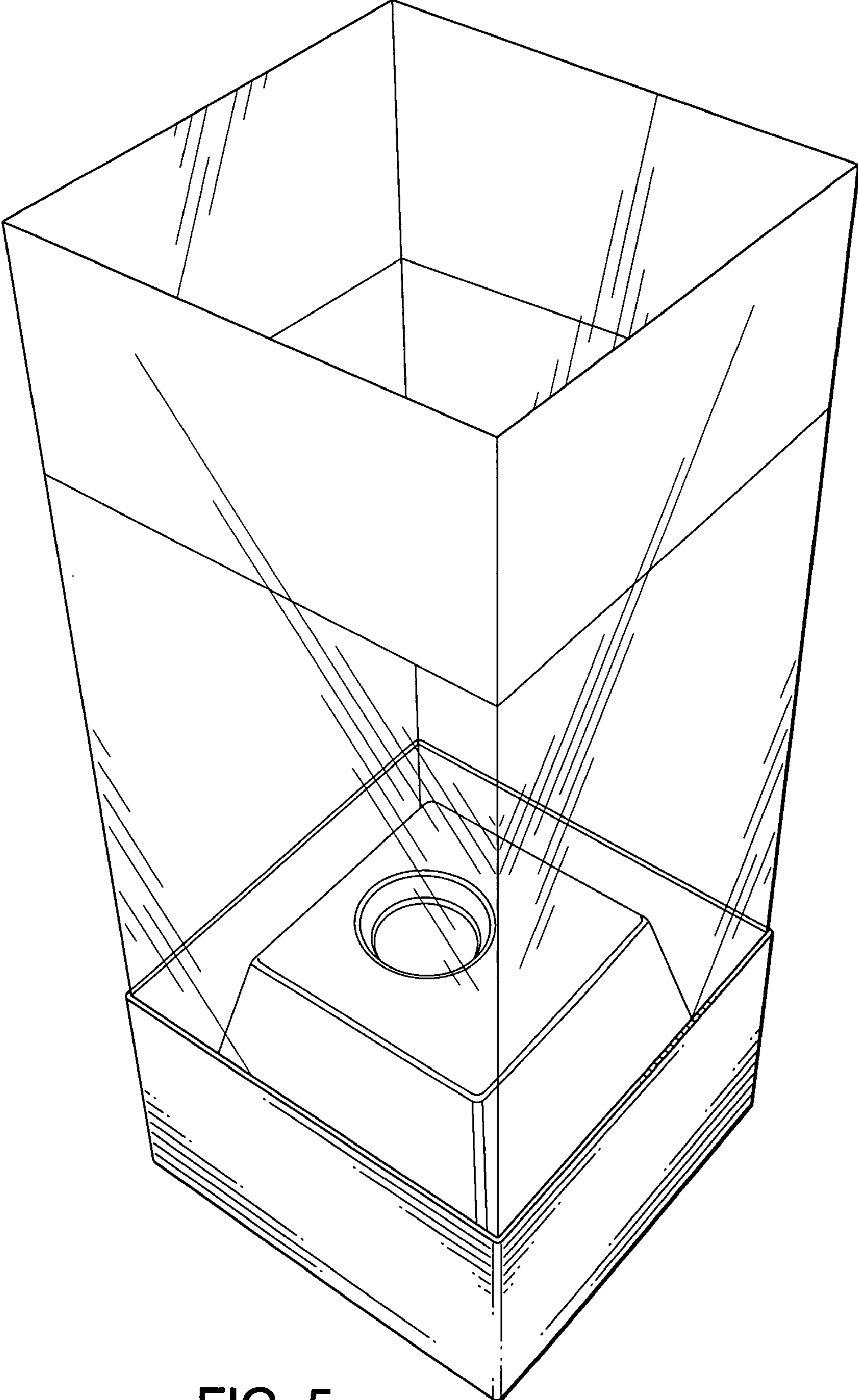


FIG. 5

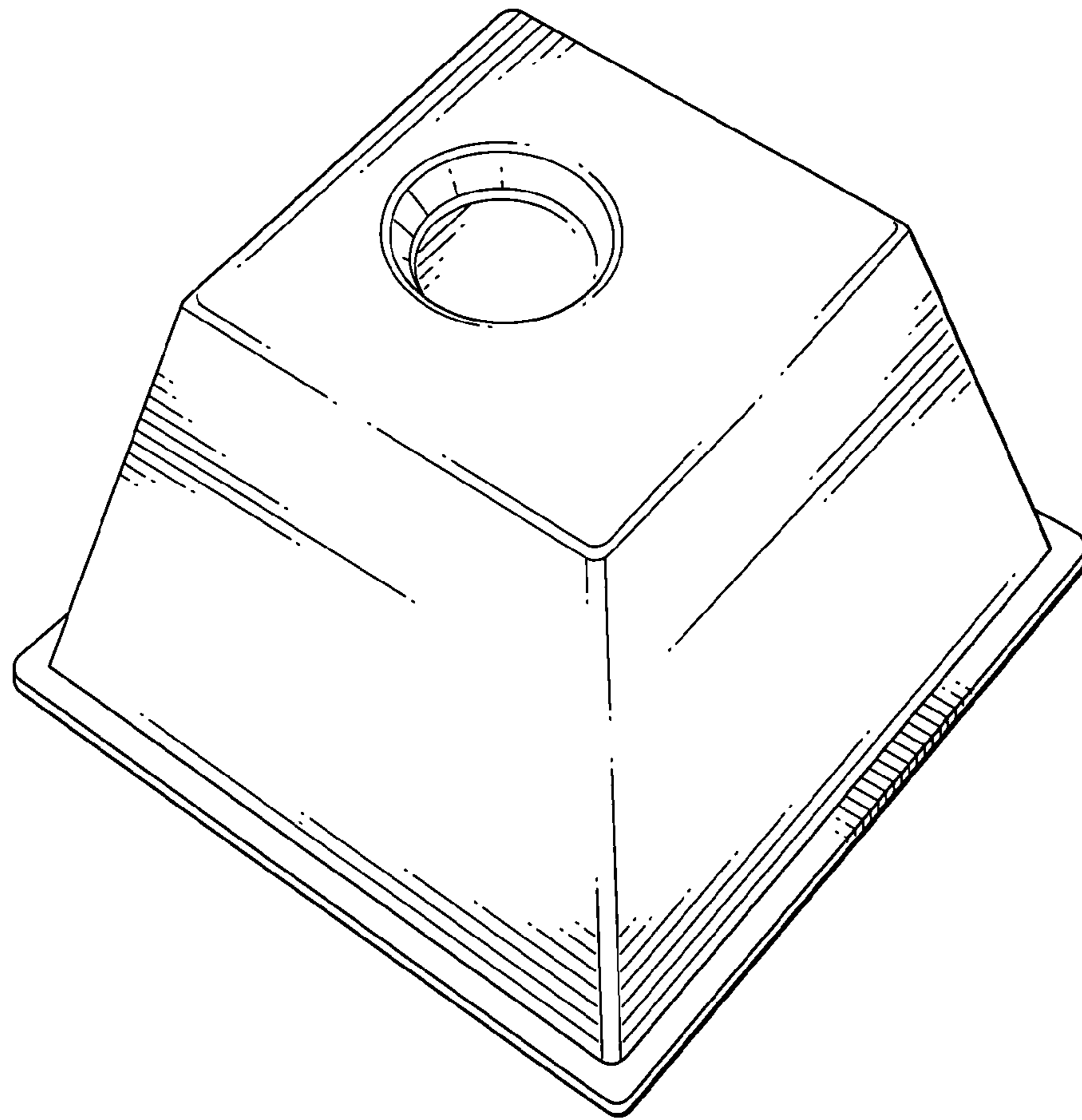


FIG. 6