



US00D553487S

(12) **United States Design Patent**
Quan

(10) **Patent No.:** **US D553,487 S**

(45) **Date of Patent:** **** Oct. 23, 2007**

(54) **COMBINATION WALL COVER AND DOOR STOP**

D412,106 S * 7/1999 Kennard, IV D8/402

* cited by examiner

(75) Inventor: **Jon F. Quan**, Foothill Ranch, CA (US)

Primary Examiner—Cathron C. Brooks

Assistant Examiner—Barbara Fox

(73) Assignee: **Hampton Products International Corporation**, Foothill Ranch, CA (US)

(74) *Attorney, Agent, or Firm*—William G. Lane

(**) Term: **14 Years**

(57) **CLAIM**

(21) Appl. No.: **29/285,118**

The ornamental design for a combination wall cover and door stop, substantially as shown and described.

(22) Filed: **Mar. 20, 2007**

DESCRIPTION

(51) **LOC (8) Cl.** **08-09**

(52) **U.S. Cl.** **D8/402**

(58) **Field of Classification Search** D8/350,
D8/400, 402; D6/300; D11/132; 16/82,
16/86 R, 86 A, 86 B

The combination wall cover and door stop (also known as a wall cover and door bumper) in which the design is embodied is used to cover holes in walls created by a door knob or lever when the door is pushed, shoved or swung against the wall, and as a door stop used to absorb the energy of a door knob or lever when the door is pushed, shoved or swung toward the wall to prevent the formation of holes in the wall.

See application file for complete search history.

FIG. 1 is a top front perspective view of the combination wall cover and door stop showing my new design;

(56) **References Cited**

U.S. PATENT DOCUMENTS

D81,867 S *	8/1930	Day	D8/400
D185,011 S *	4/1959	Mair	D8/353
D288,290 S *	2/1987	Angle	D8/400
D288,291 S *	2/1987	Angle	D8/400
D288,525 S *	3/1987	Angle	D8/400
D305,863 S *	2/1990	Gresens et al.	D8/352
D321,468 S *	11/1991	Reid	D8/352
D324,170 S *	2/1992	Owens et al.	D8/402
D352,889 S *	11/1994	Crowther et al.	D8/402
D368,022 S *	3/1996	Angle	D8/402
D379,922 S *	6/1997	Adams	D8/402
D407,303 S *	3/1999	Engberg	D8/402
D410,195 S *	5/1999	Horvath	D8/402

FIG. 2 is a top elevation view thereof;

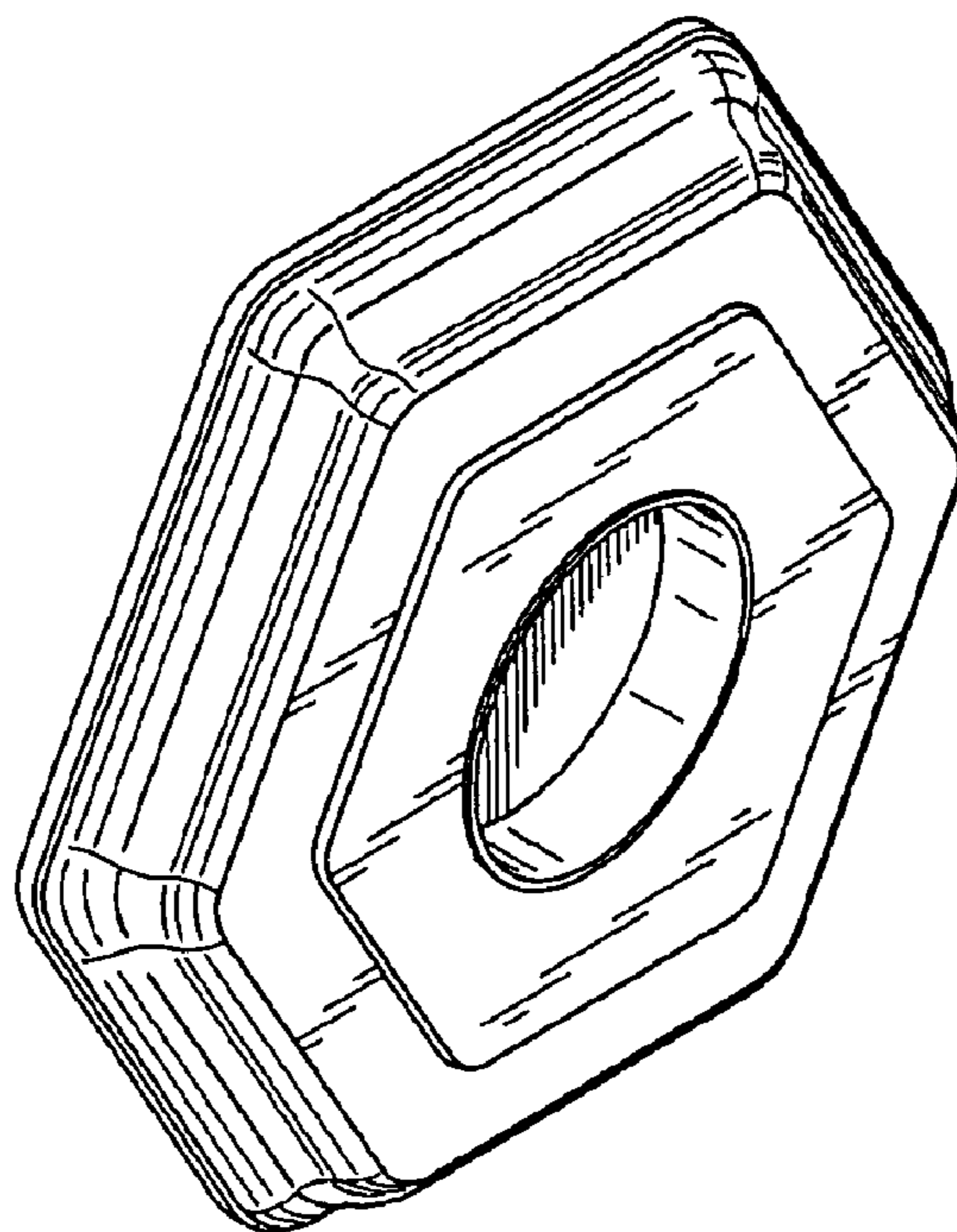
FIG. 3 is a side elevation view with a corner centered in the view, all sides be identical;

FIG. 4 is a side elevation view with a side wall centered in the view, all sides be identical; and,

FIG. 5 is a bottom elevation view thereof.

The broken lines presented in the drawings are for illustration of structure and boundaries only and form no part of the claimed design.

1 Claim, 1 Drawing Sheet



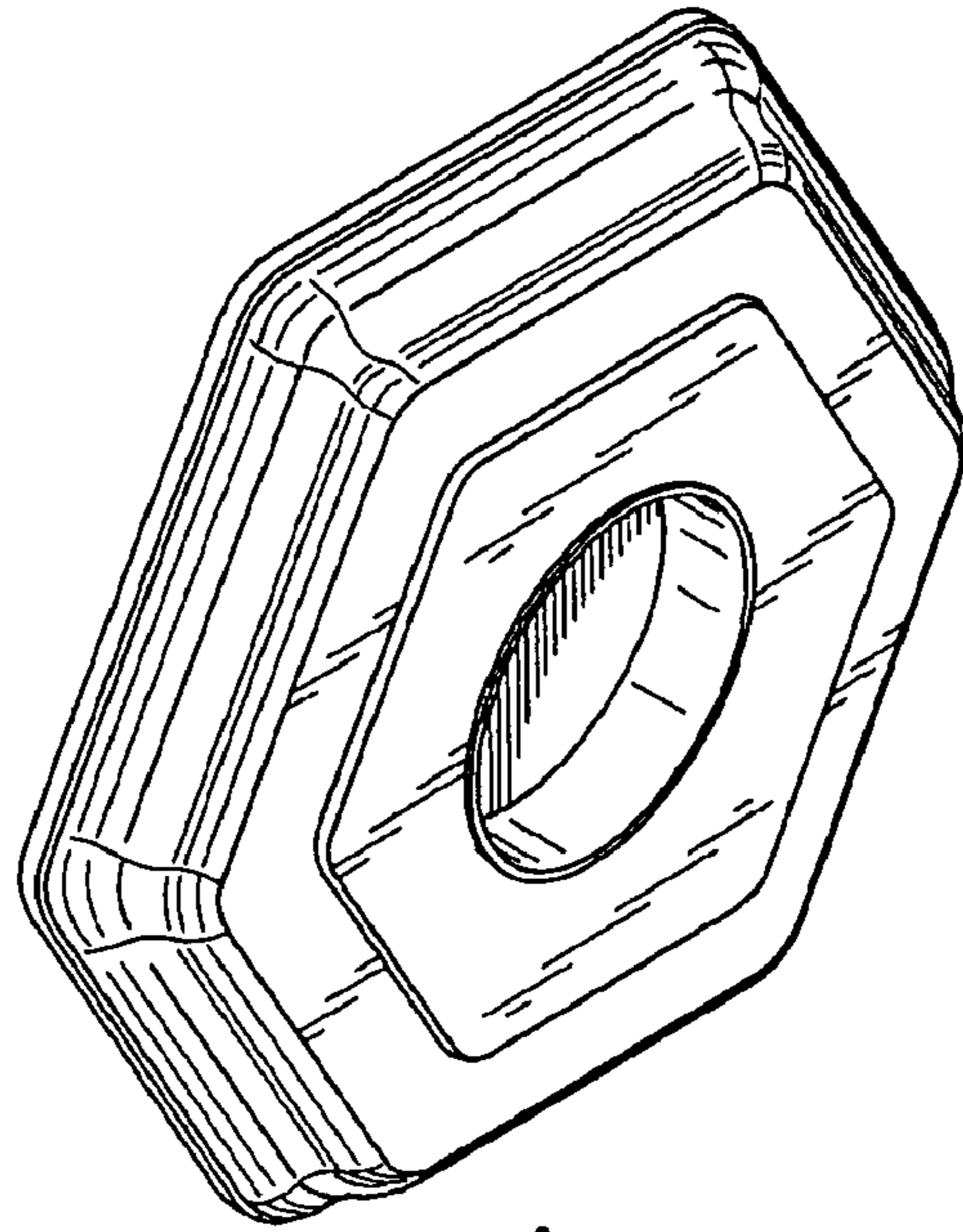


Fig. 1

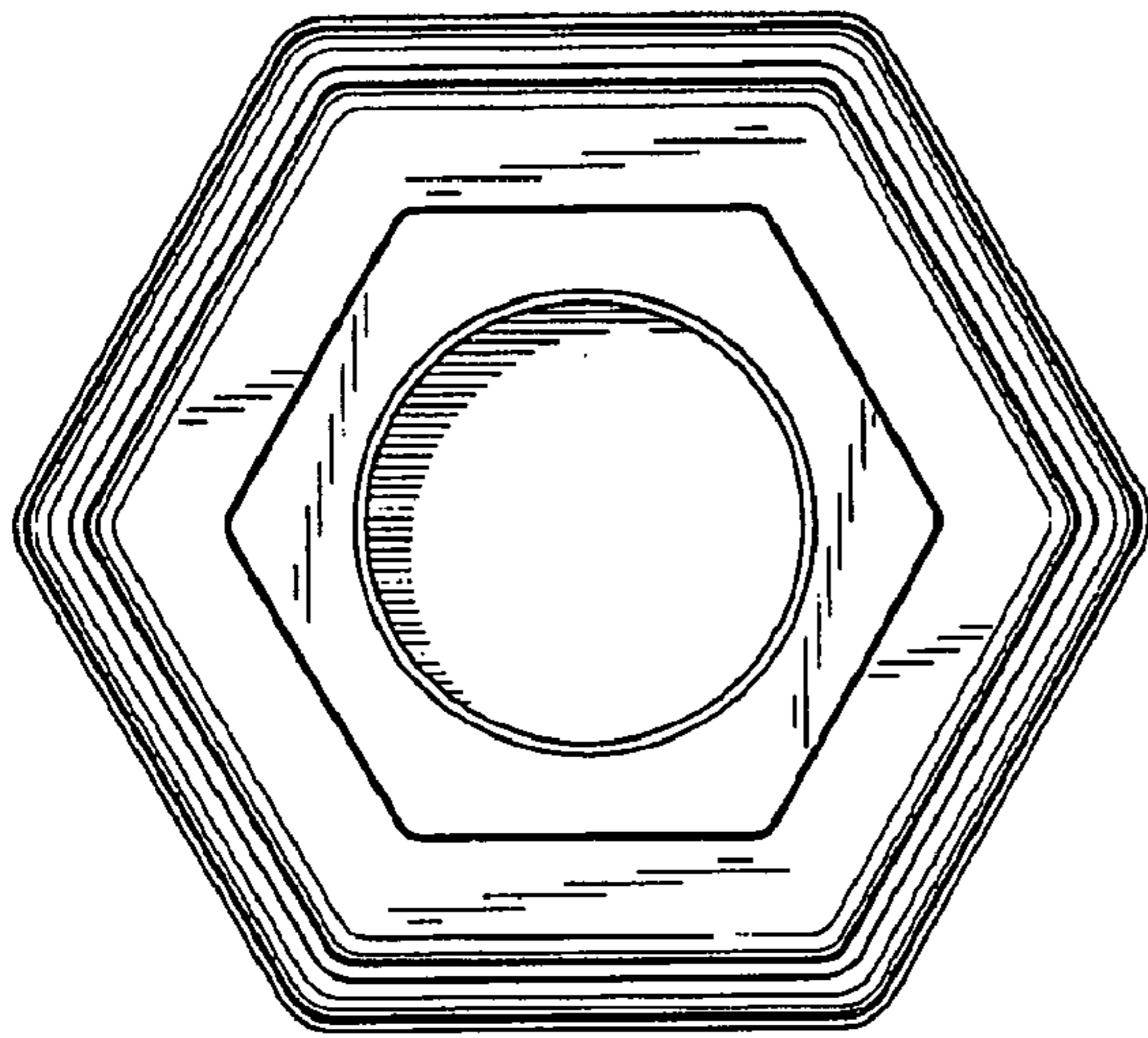


Fig. 2



Fig. 3

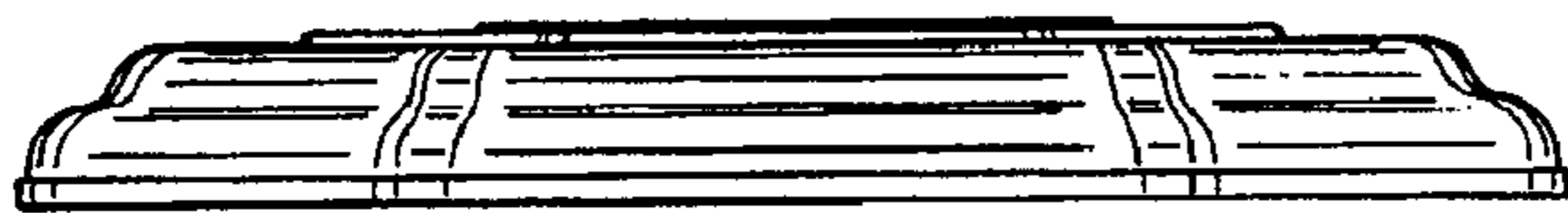


Fig. 4

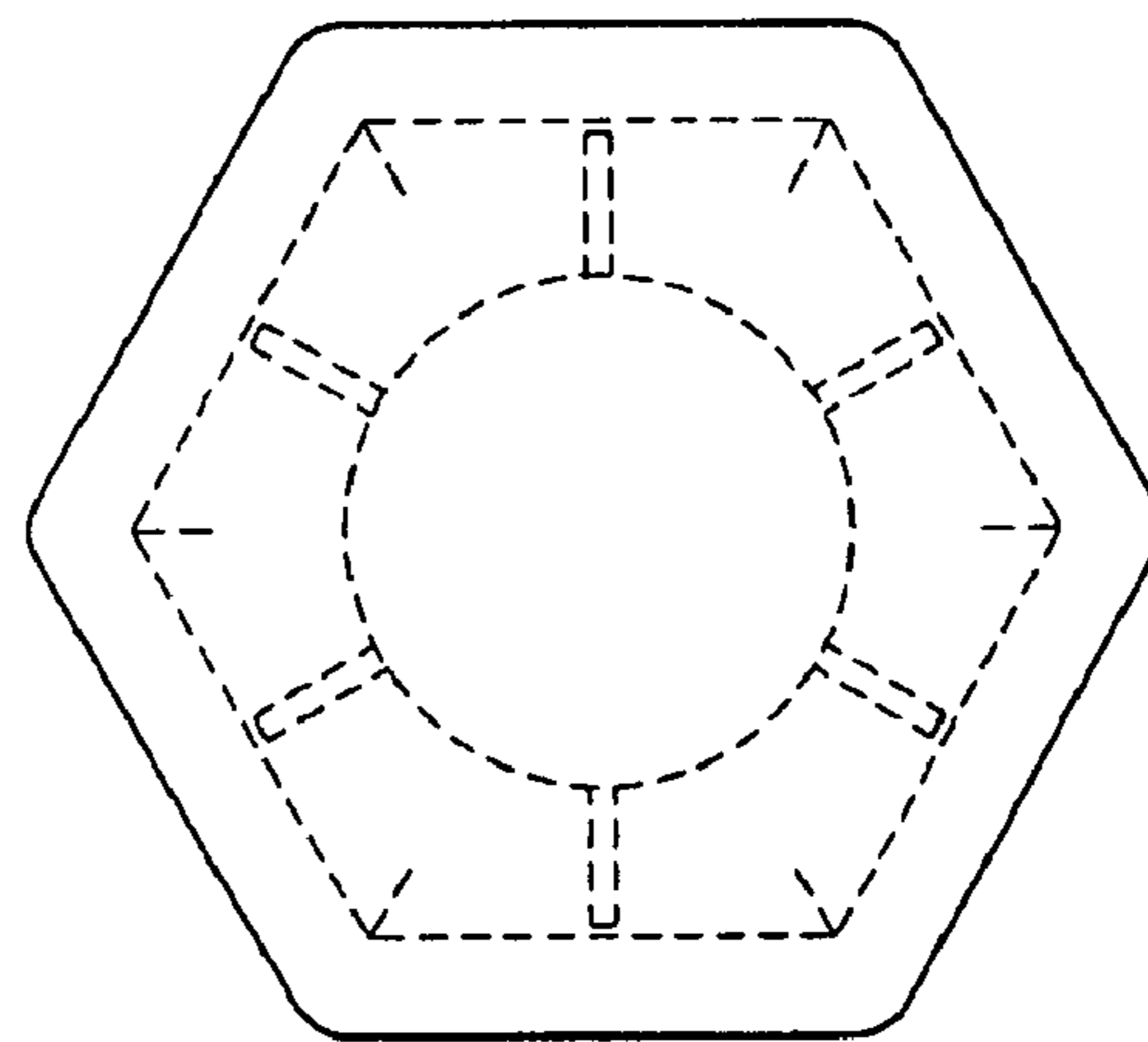


Fig. 5