



US00D553485S

(12) **United States Design Patent**
Hall

(10) **Patent No.:** **US D553,485 S**

(45) **Date of Patent:** **** Oct. 23, 2007**

(54) **AFFIXING APPARATUS**

(75) Inventor: **Jacob R. Hall**, Midway, UT (US)

(73) Assignee: **Cateye Co., Ltd.** (JP)

(**) Term: **14 Years**

(21) Appl. No.: **29/188,782**

(22) Filed: **Aug. 22, 2003**

(51) **LOC (8) Cl.** **08-08**

(52) **U.S. Cl.** **D8/396**

(58) **Field of Classification Search** D8/356,
D8/371, 394-396, 499, 53, 100, 365; D12/51;
D19/65, 90; D28/39, 40, 42; 24/546, 563,
24/910, 327, 334, DIG. 8, DIG. 9, DIG. 13,
24/DIG. 28; 248/74.2, 300, 301, 316.7,
248/229.26; 224/420

See application file for complete search history.

(56) **References Cited**

U.S. PATENT DOCUMENTS

D232,699 S * 9/1974 Bartunek D26/140
D381,894 S * 8/1997 Lun D8/396

5,735,441 A * 4/1998 Fujimoto 224/420
5,860,728 A * 1/1999 Maglica 362/191
D412,336 S * 7/1999 Bakoleidis D15/143
6,837,599 B2 * 1/2005 Liaw et al. 362/396
2003/0106919 A1 * 6/2003 Chuang 224/420

* cited by examiner

Primary Examiner—John Windmuller

(74) *Attorney, Agent, or Firm*—Olson & Hierl, Ltd.

(57) **CLAIM**

The ornamental design for an affixing apparatus, as shown.

DESCRIPTION

FIG. 1 is a front elevational view of an affixing apparatus showing my new design;

FIG. 2 is a rear elevational view thereof;

FIG. 3 is a top plan view thereof;

FIG. 4 is a right side elevational view thereof;

FIG. 5 is a left side elevational view thereof;

FIG. 6 is a front perspective view thereof; and,

FIG. 7 is a rear perspective view thereof.

1 Claim, 4 Drawing Sheets

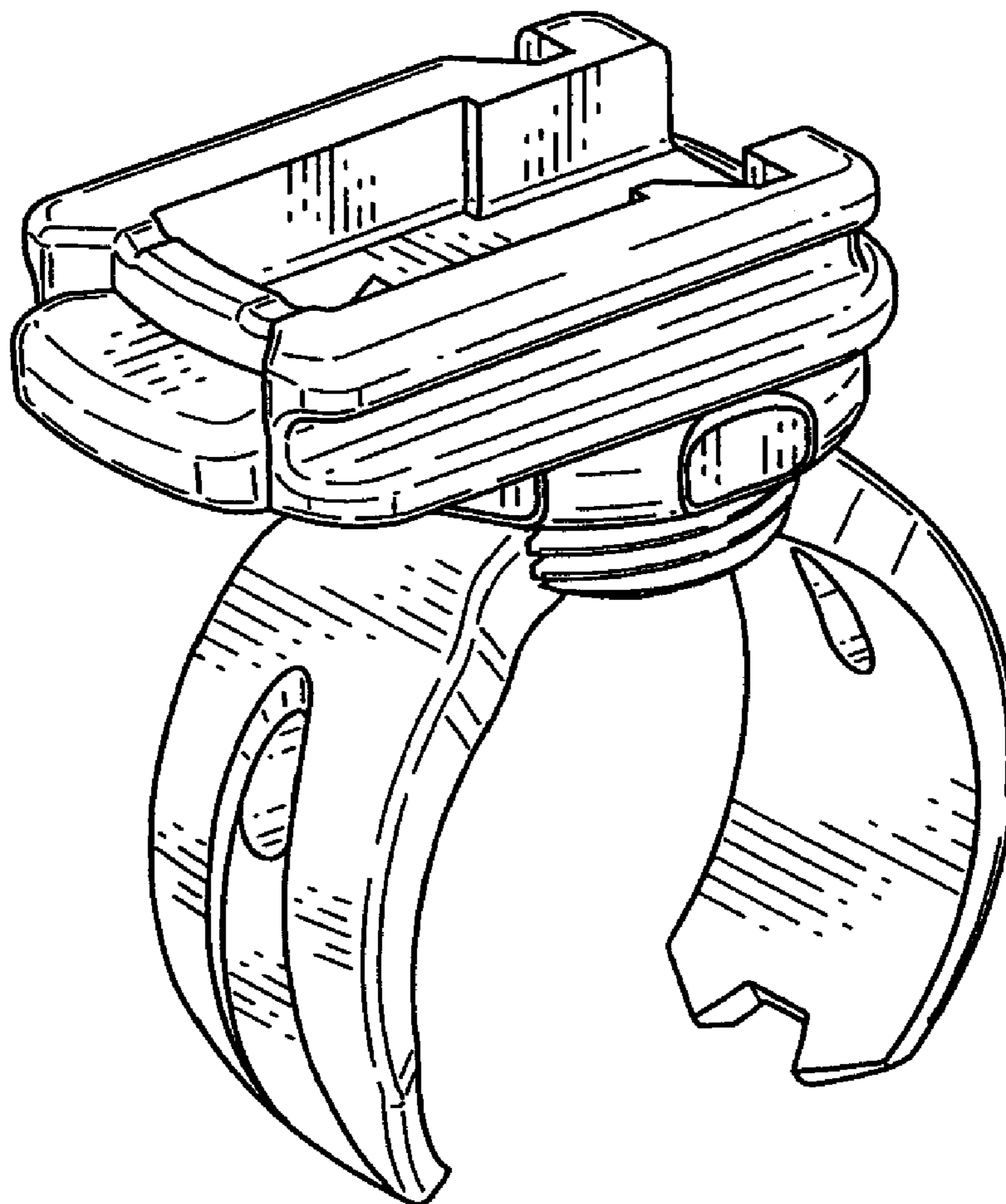


FIG. 1

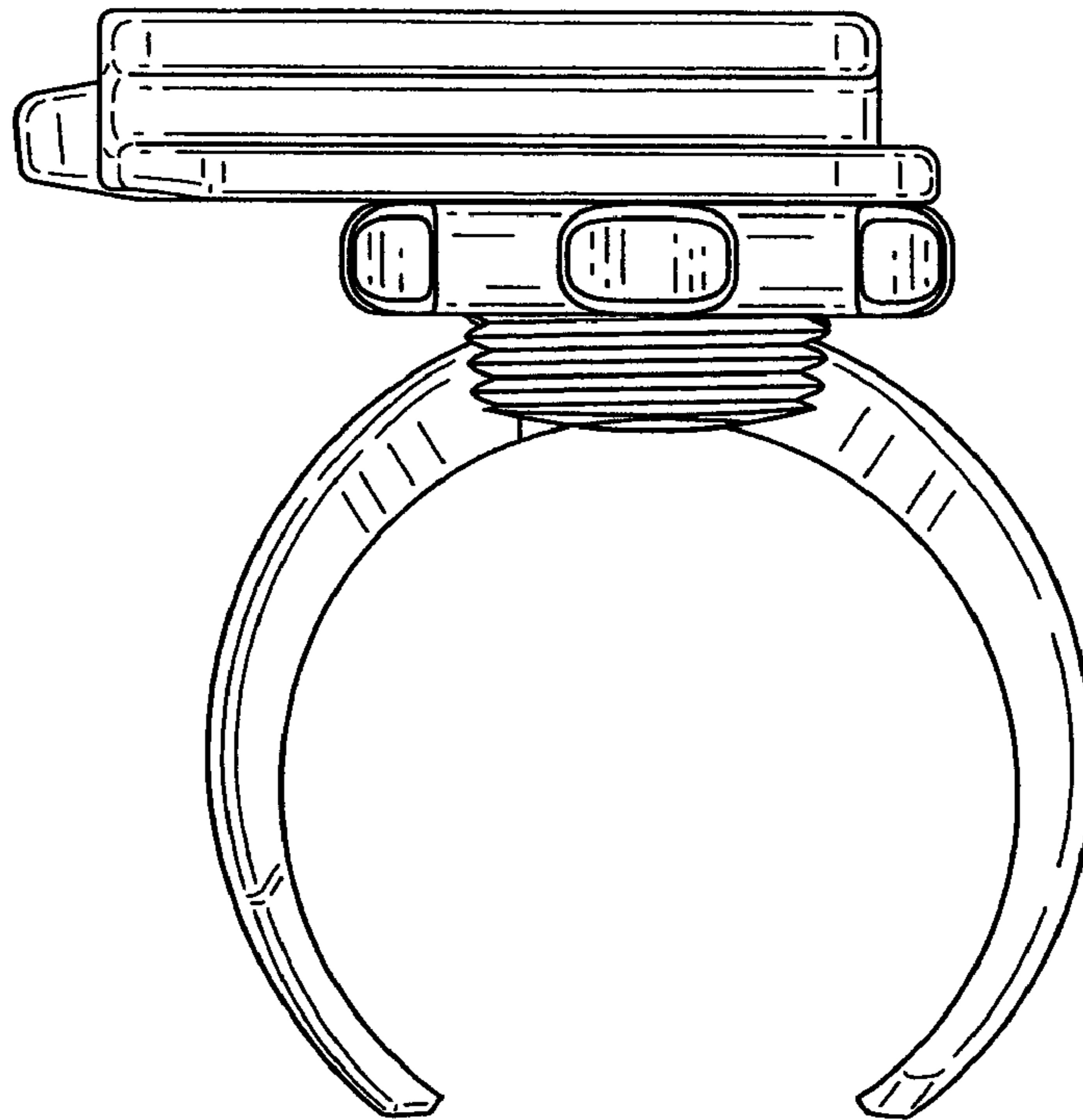


FIG. 2

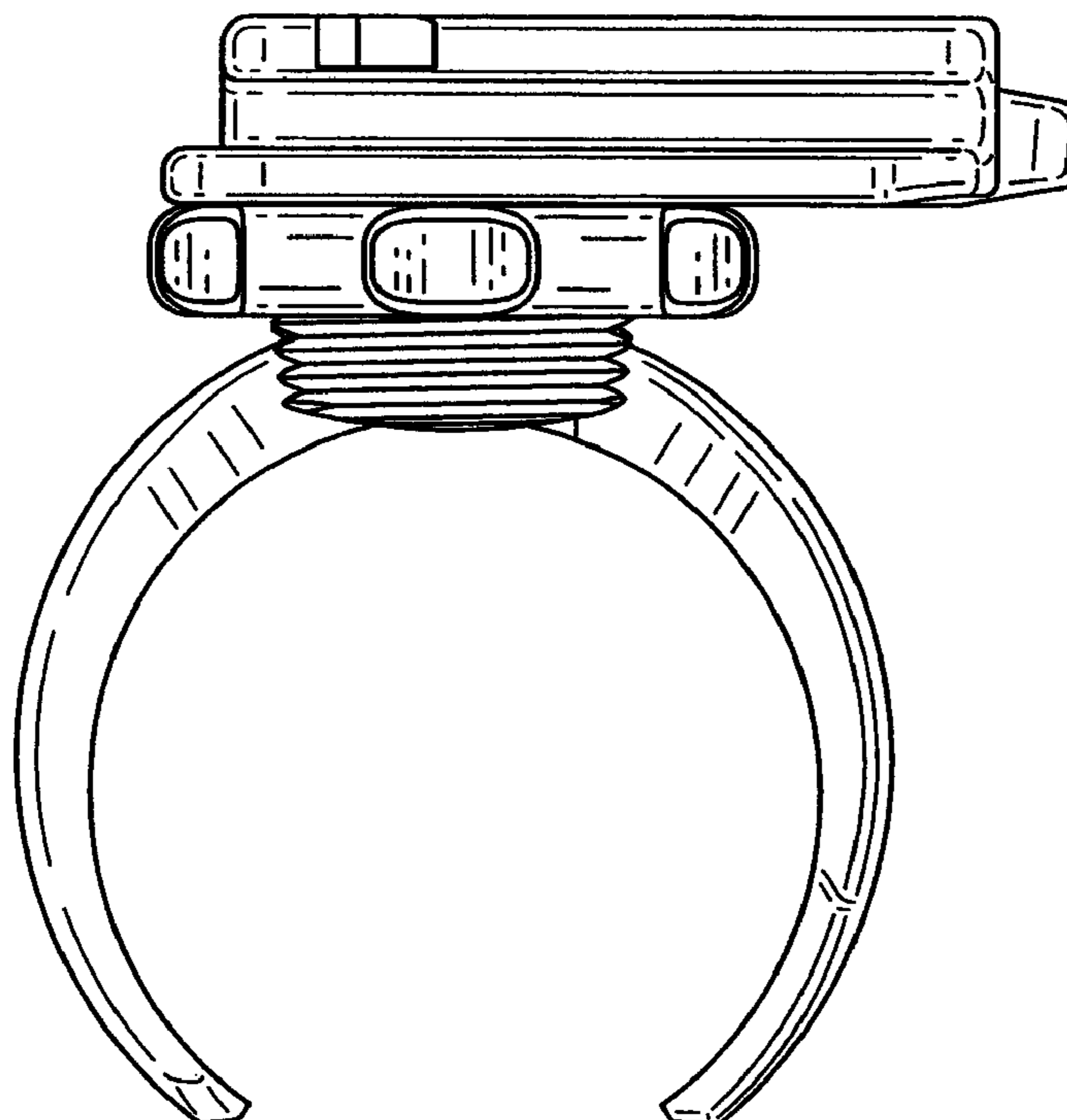


FIG. 3

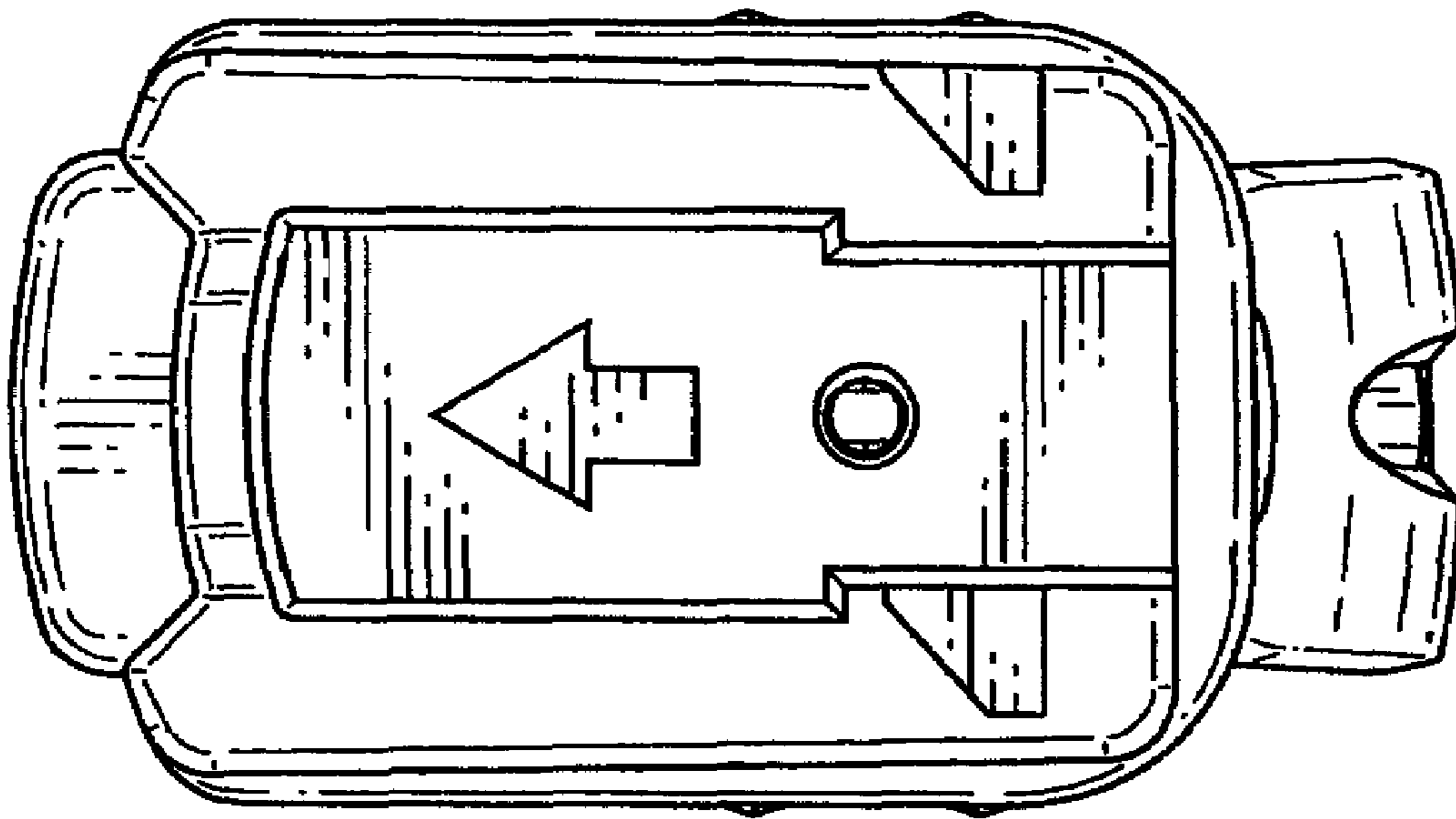


FIG. 4

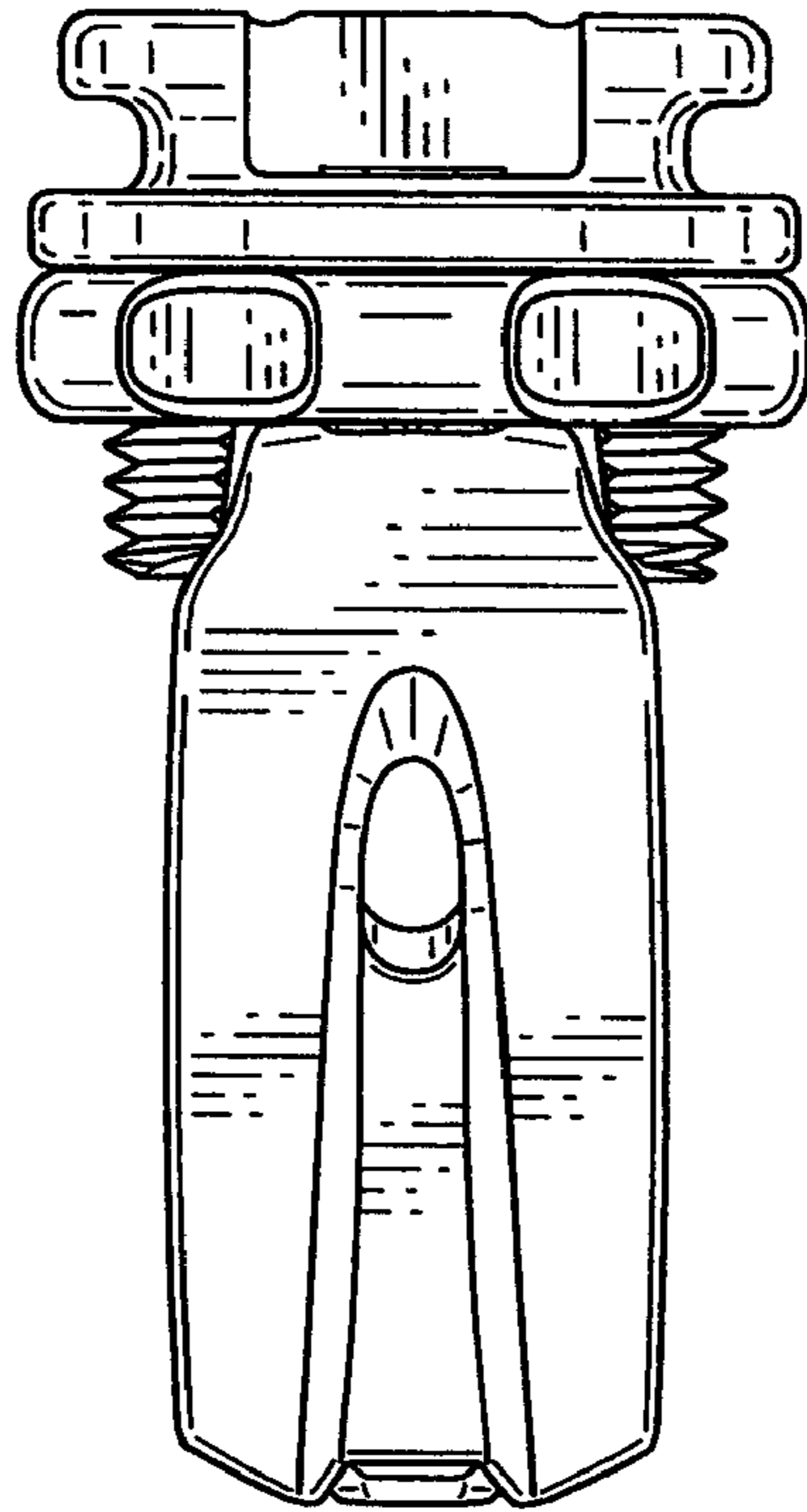


FIG. 5

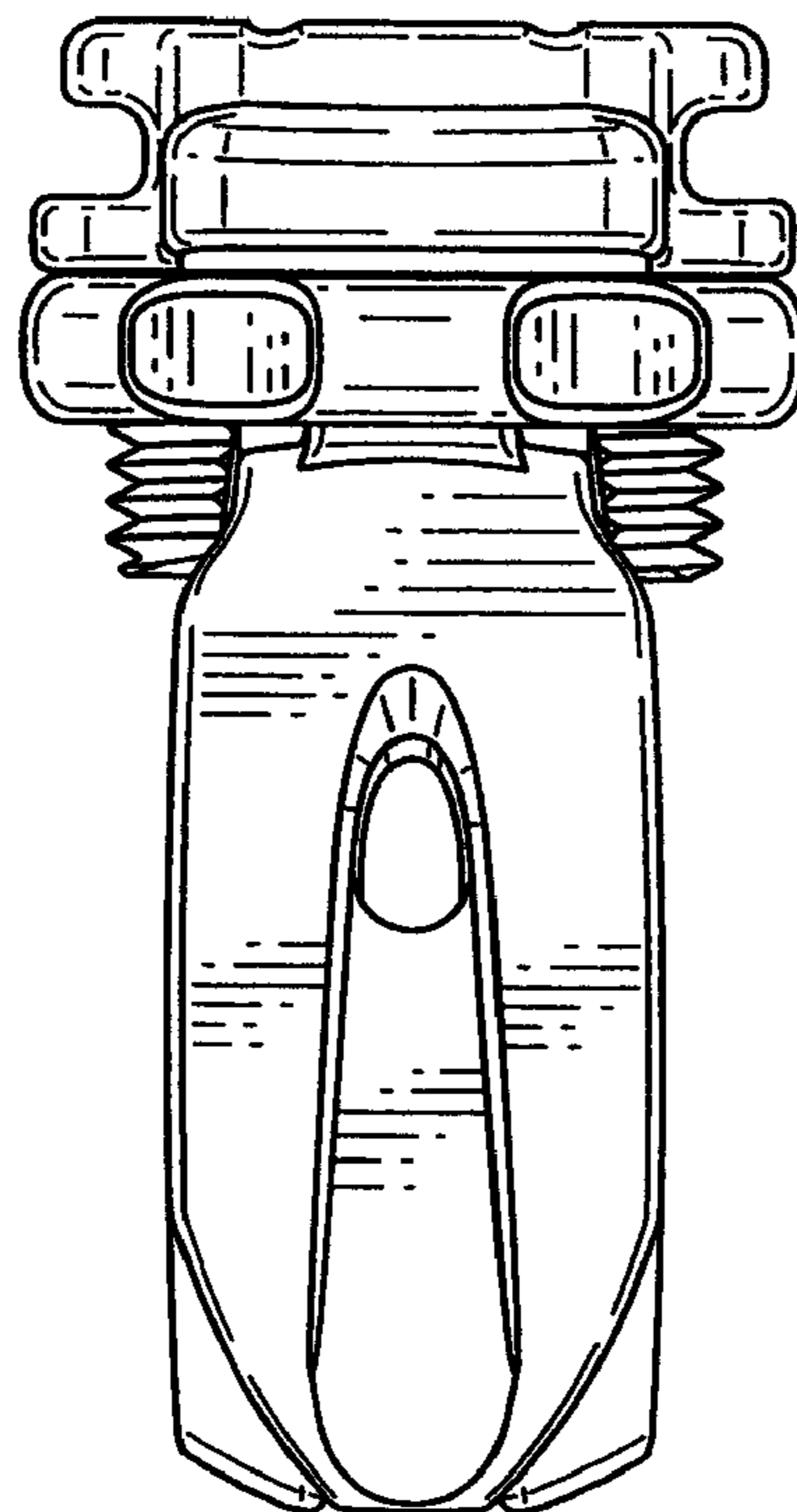


FIG. 6

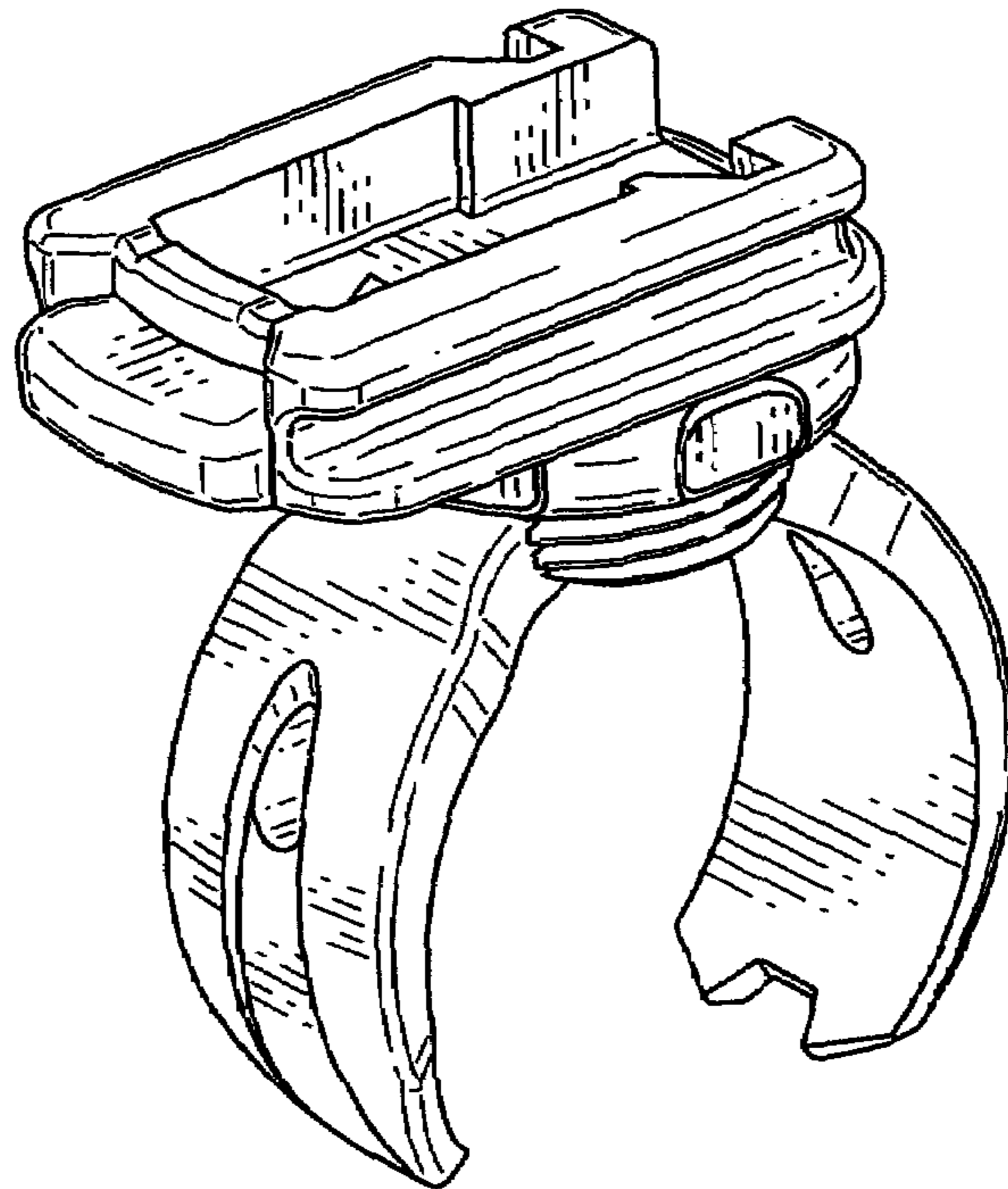


FIG. 7

