



US00D553478S

(12) **United States Design Patent**
Liao

(10) **Patent No.:** **US D553,478 S**

(45) **Date of Patent:** **** Oct. 23, 2007**

(54) **SUCTION CUP**

(75) Inventor: **Po-Lin Liao**, Taichung (TW)

(73) Assignee: **Lin Yann Industrial Co., Ltd.**,
Taichung (TW)

(**) Term: **14 Years**

(21) Appl. No.: **29/238,806**

(22) Filed: **Sep. 22, 2005**

(51) **LOC (8) Cl.** **08-05**

(52) **U.S. Cl.** **D8/354**

(58) **Field of Classification Search** D8/354,
D8/14, 373, 349; D34/28, 35; 294/64.1;
248/206.2, 205.5; 335/285, 288, 289, 291
See application file for complete search history.

(56) **References Cited**

U.S. PATENT DOCUMENTS

3,152,828	A *	10/1964	Lytle	294/64.1
3,627,369	A *	12/1971	Nixon	294/64.1
D302,107	S *	7/1989	Adams	D8/354
D327,215	S *	6/1992	Pestone	D8/373
D332,390	S *	1/1993	Adams	D8/373
D340,181	S *	10/1993	Adams et al.	D8/354
D345,903	S *	4/1994	Adams et al.	D8/349
D376,308	S *	12/1996	Lee	D8/354
5,639,134	A *	6/1997	Rusch et al.	294/64.1
D388,691	S *	1/1998	Adams	D8/354
D391,837	S *	3/1998	Adams	D8/354
D408,725	S *	4/1999	Adams	D8/373

D423,329	S *	4/2000	Adams	D8/354
D446,623	S *	8/2001	Smith	D34/35
D490,201	S *	5/2004	Liao	D34/28
D506,380	S *	6/2005	Chu	D8/349
D510,853	S *	10/2005	Liao	D8/354

* cited by examiner

Primary Examiner—T. Chase Nelson

(74) *Attorney, Agent, or Firm*—Bacon & Thomas, PLLC

(57) **CLAIM**

The ornamental design for a suction cup, as shown and described.

DESCRIPTION

FIG. 1 is a perspective view for a suction cup of my new design;

FIG. 2 is a front elevational view thereof;

FIG. 3 is a rear elevational view thereof;

FIG. 4 is a left elevational view thereof;

FIG. 5 is a right elevational view thereof;

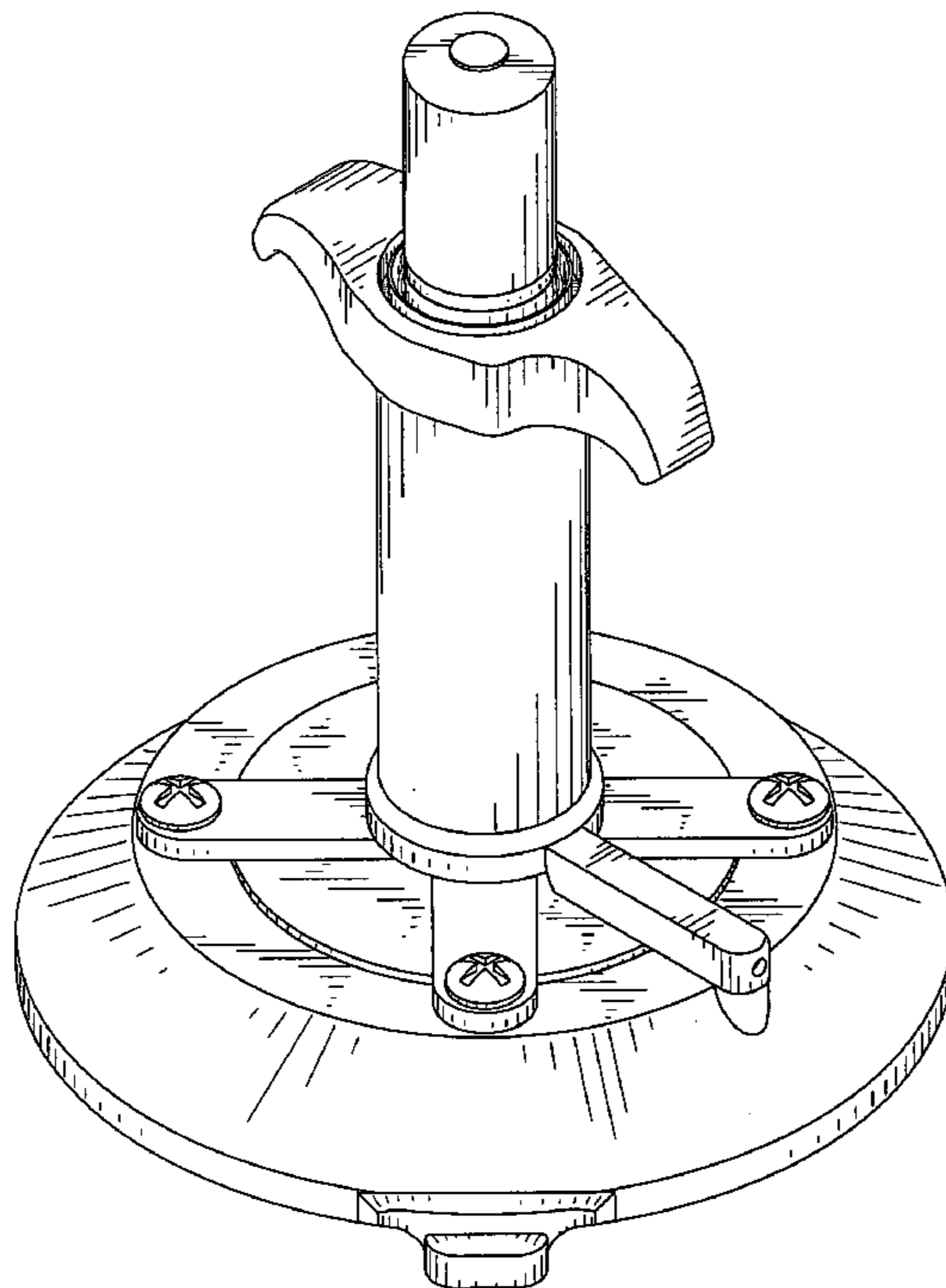
FIG. 6 is a top plan view thereof;

FIG. 7 is a bottom plan view thereof; and,

FIG. 8 is a perspective view showing the suction cup in condition of use.

The broken line showing of environmental structure in the FIG. 8 view is for illustrative purposes only and forms no part of the claimed design.

1 Claim, 8 Drawing Sheets



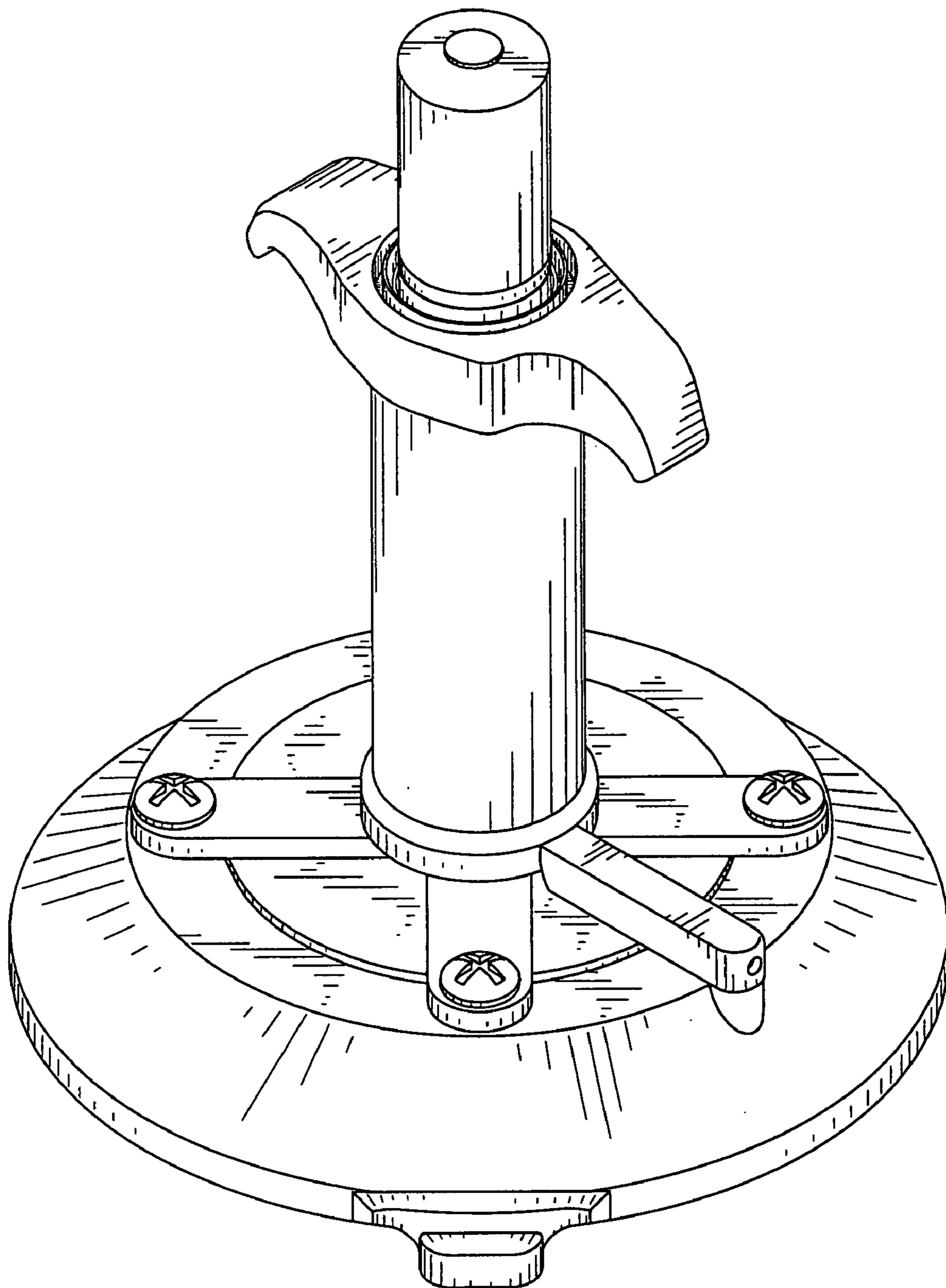


FIG. 1

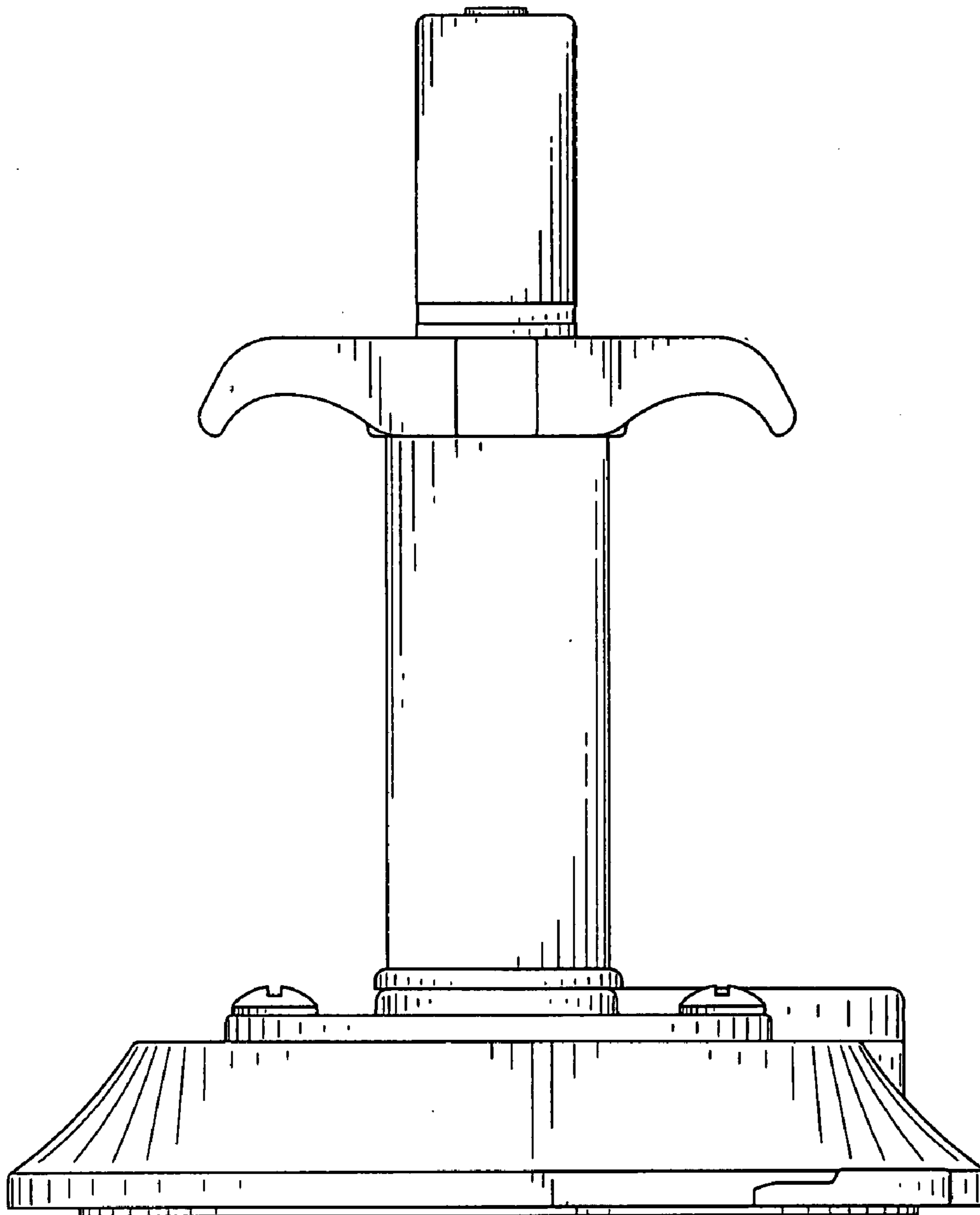


FIG. 2

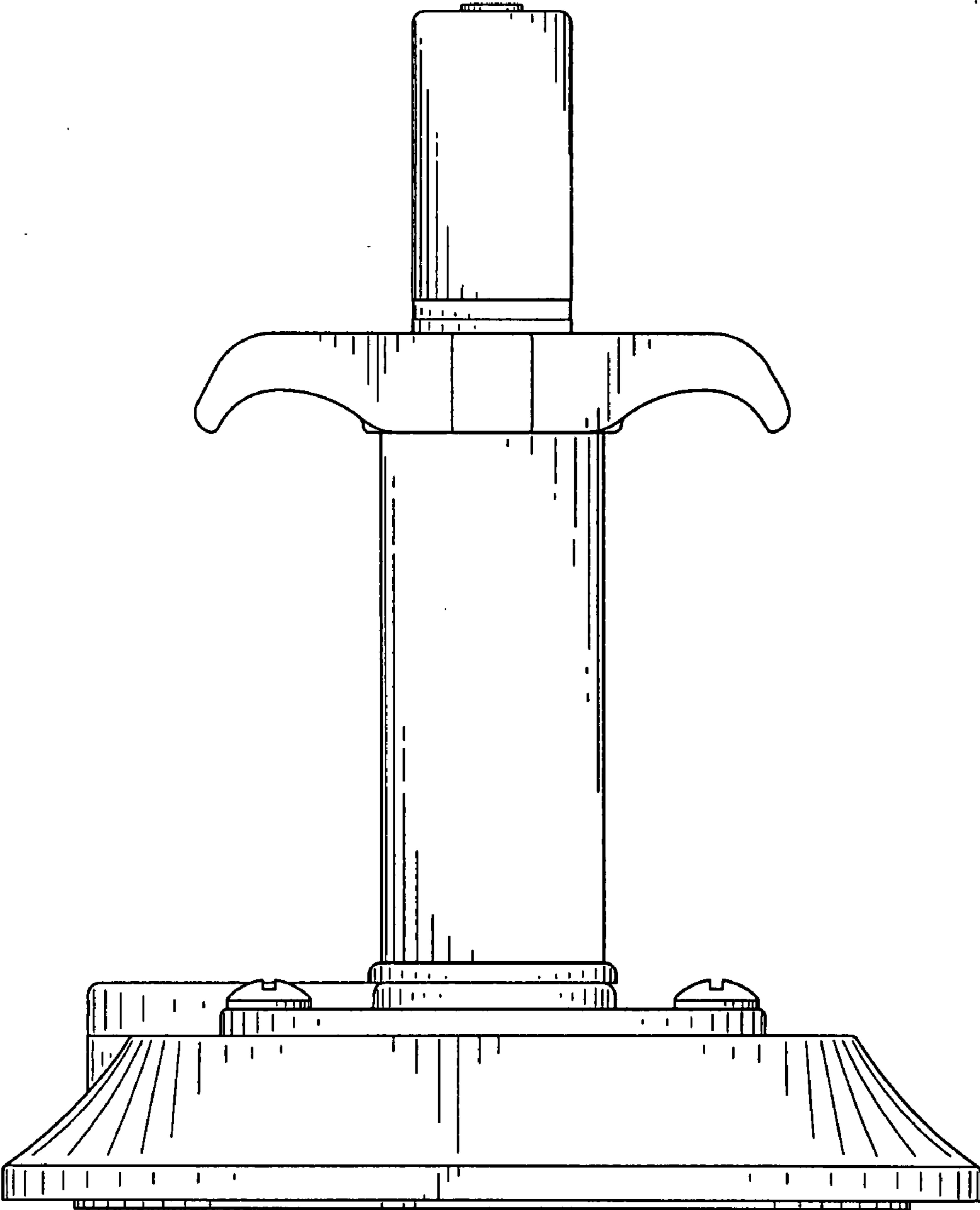


FIG. 3

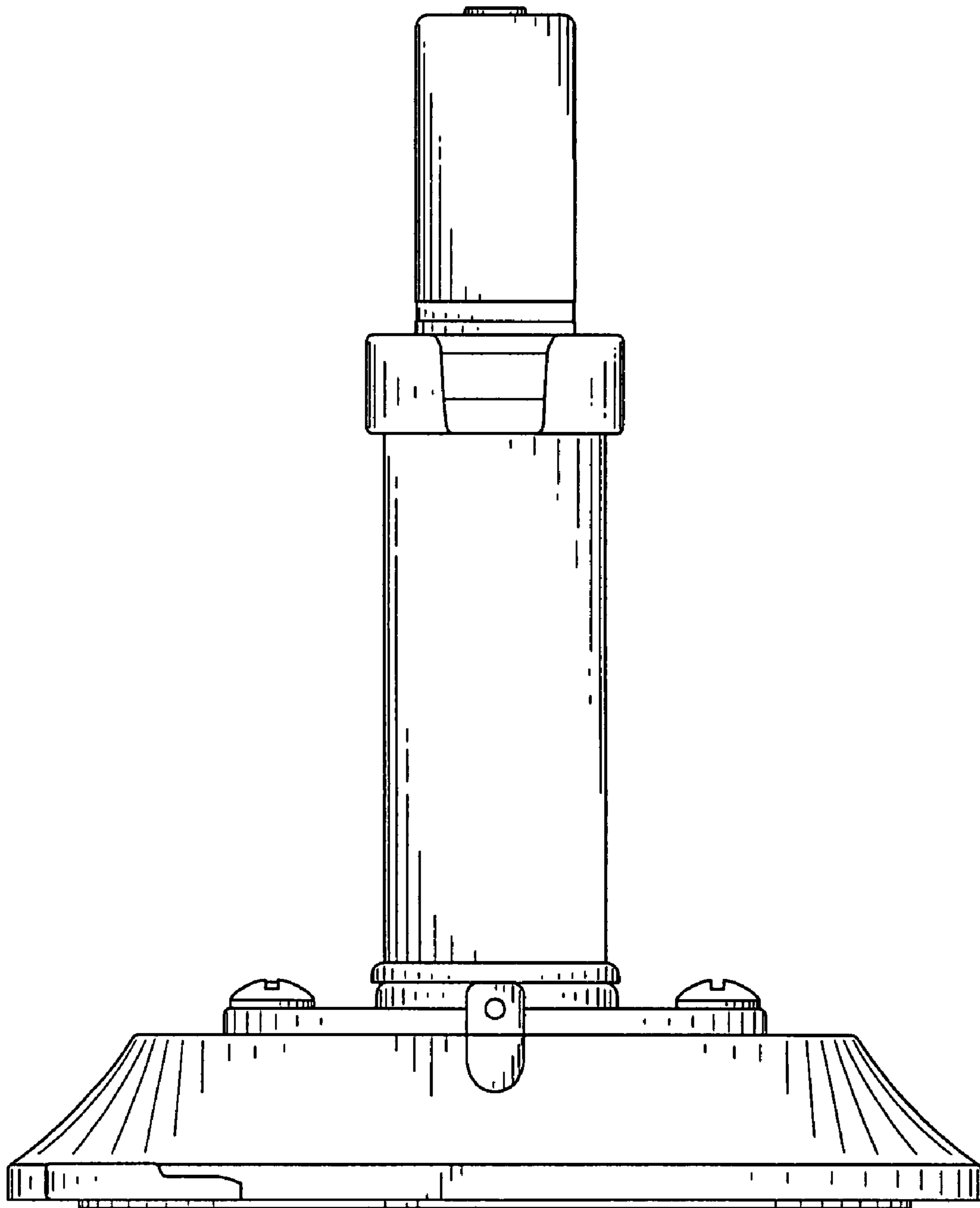


FIG. 4

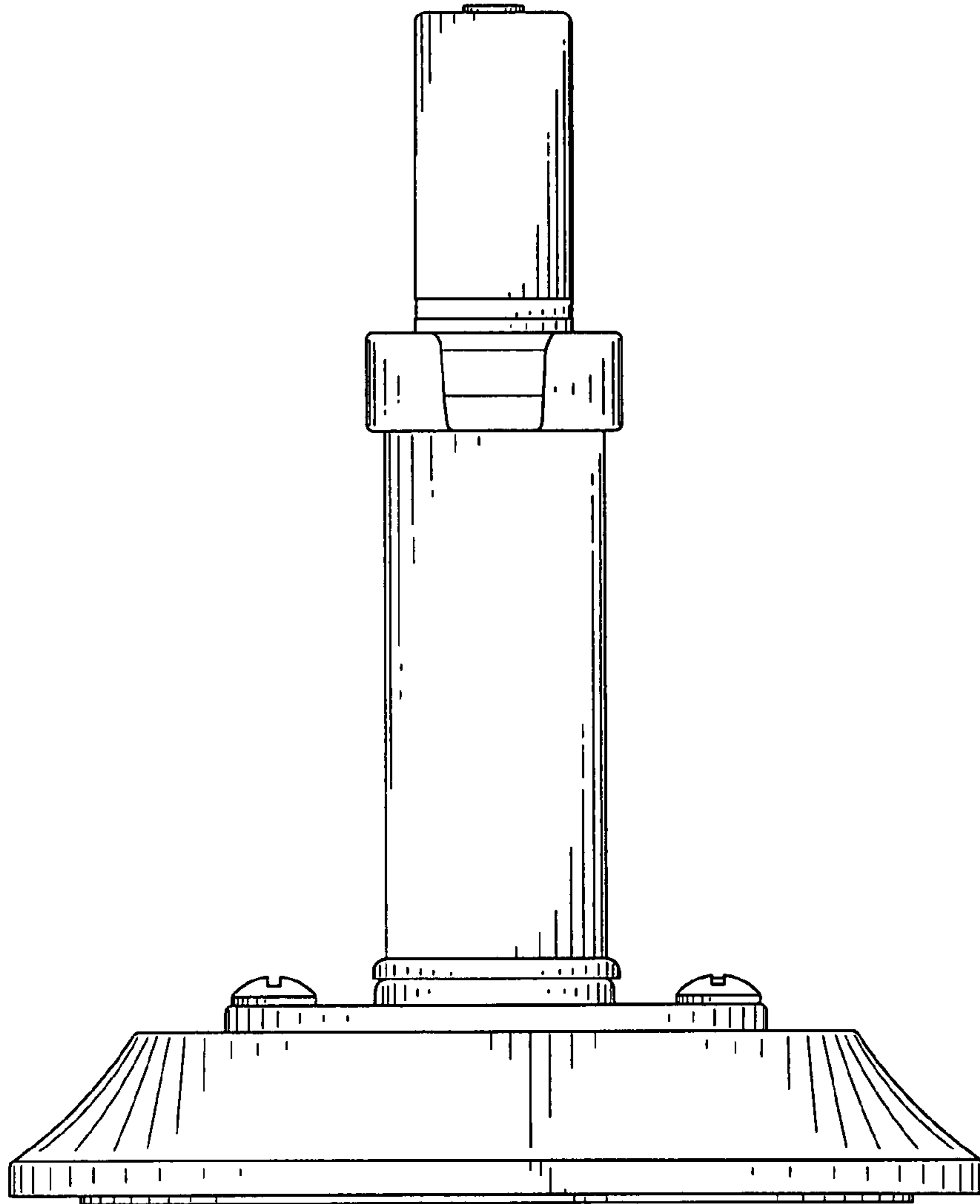


FIG. 5

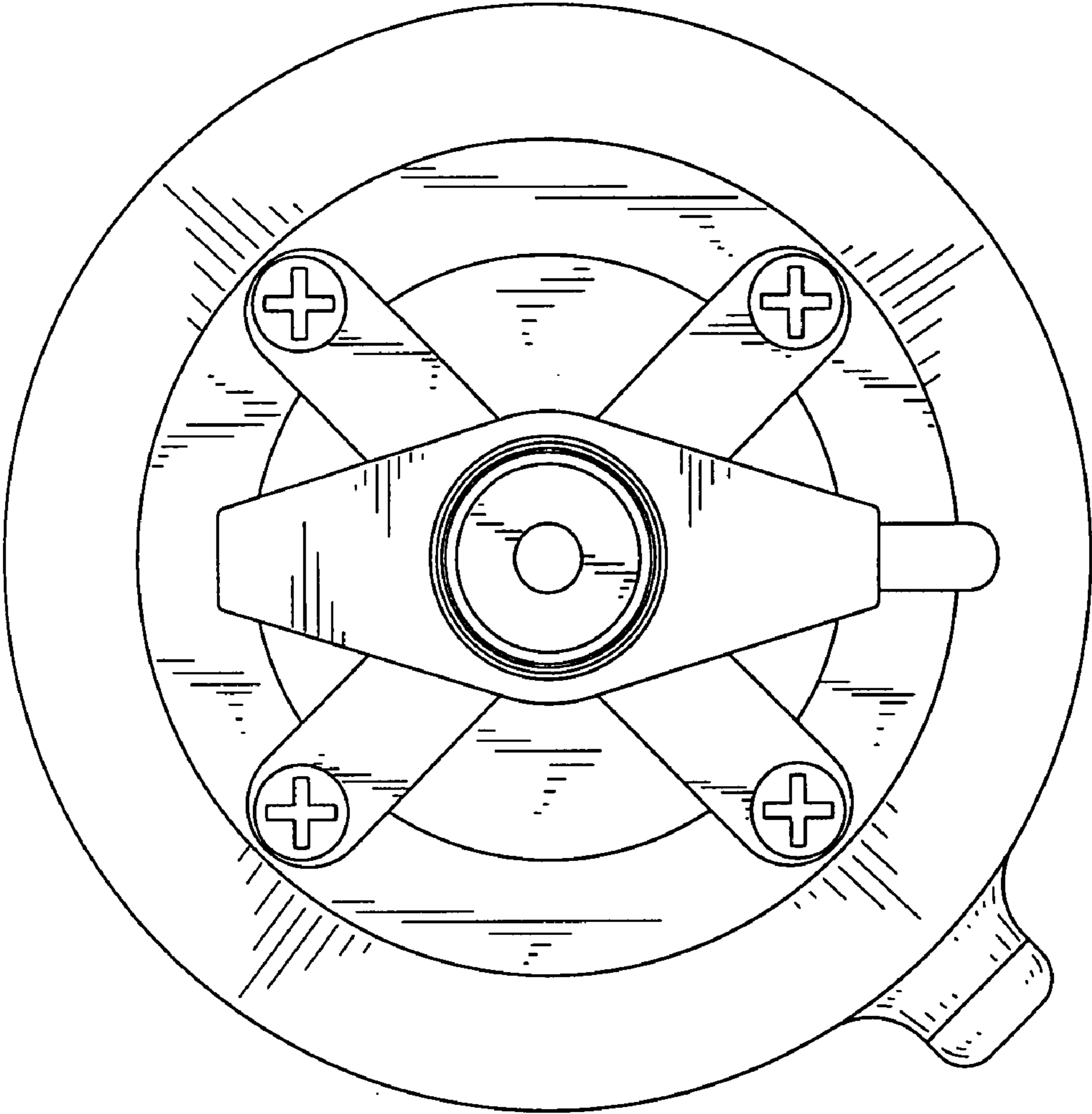


FIG. 6

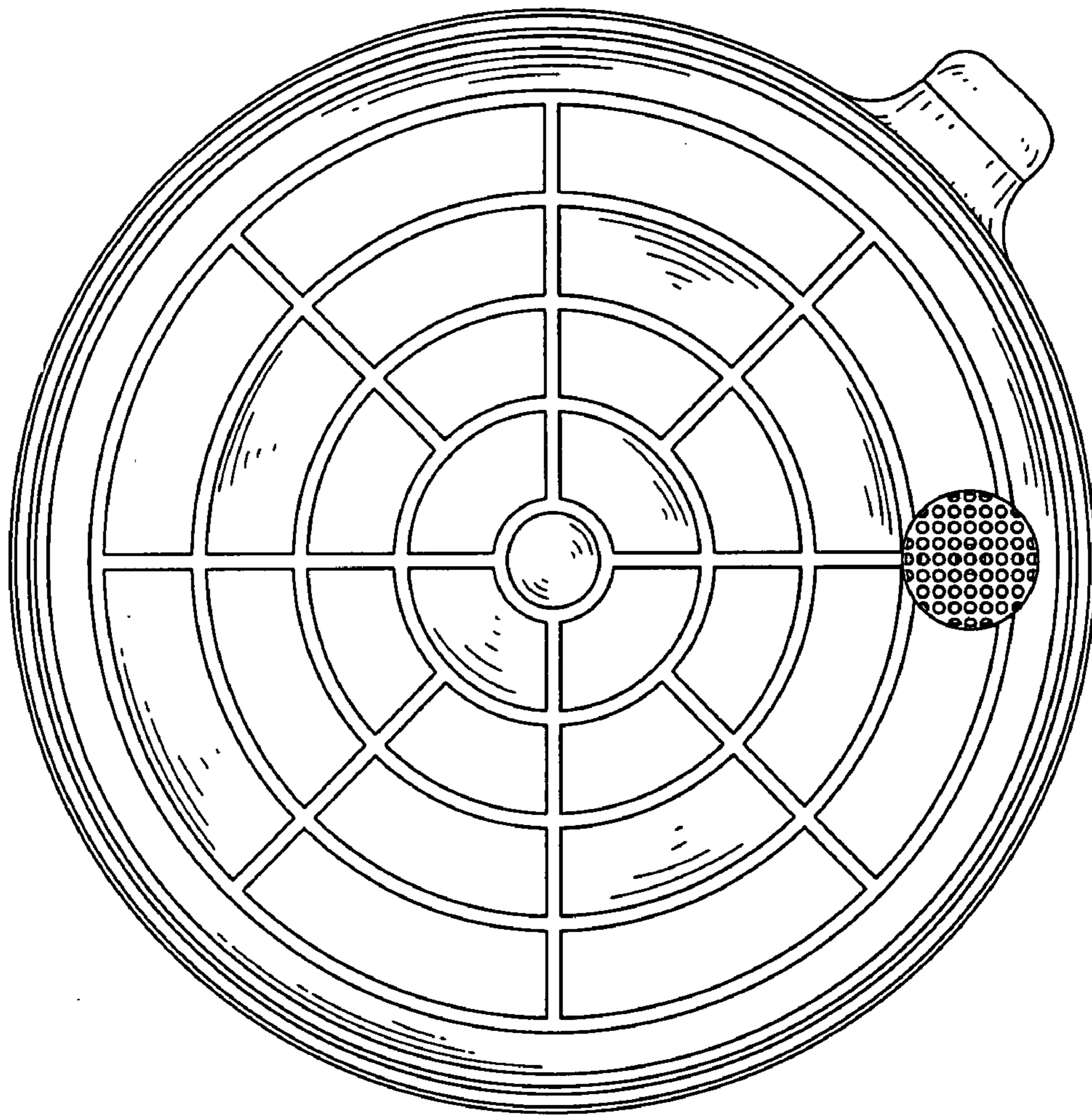


FIG. 7

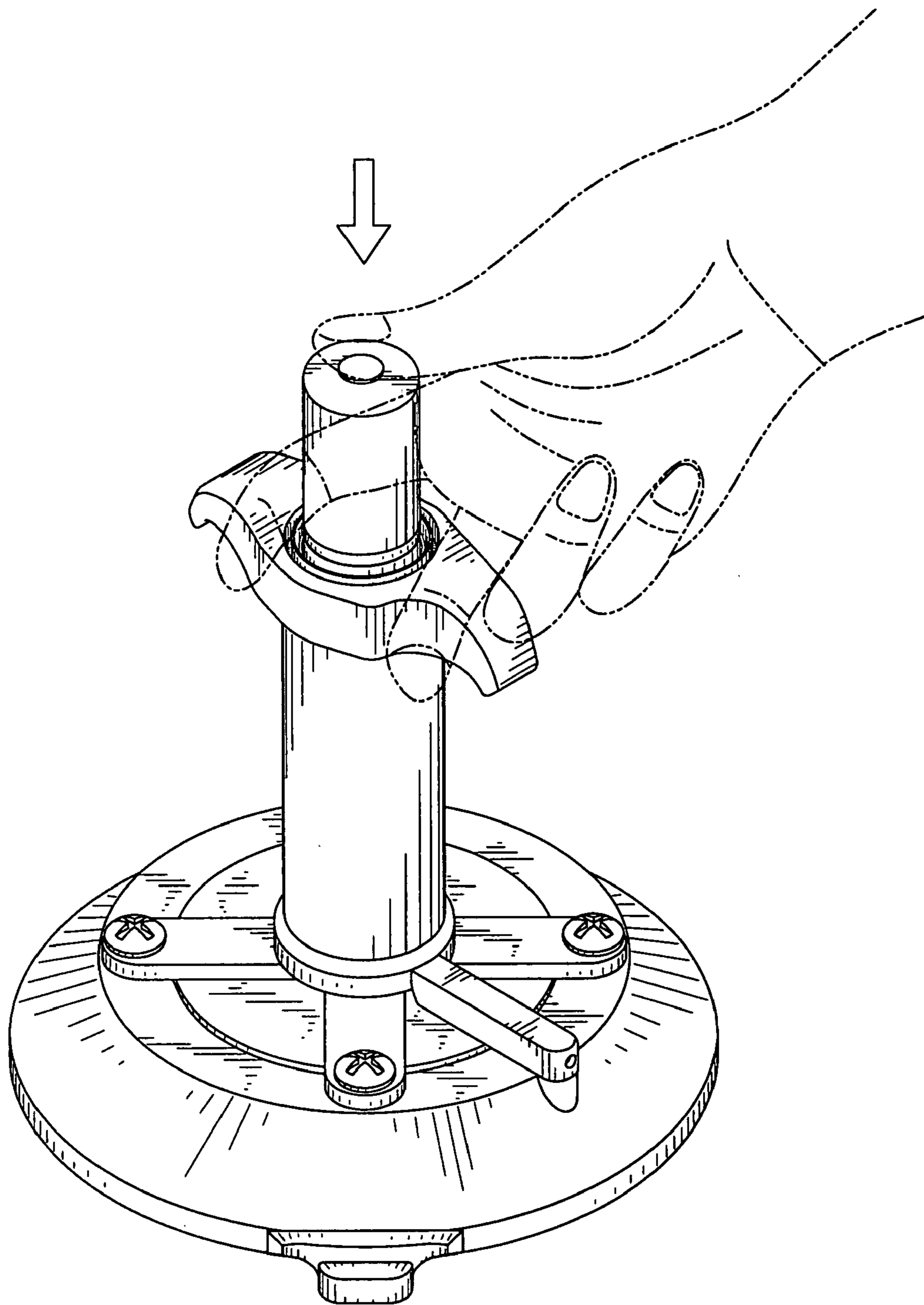


FIG. 8