



US00D553477S

(12) **United States Design Patent**
Kuzukawa

(10) **Patent No.:** **US D553,477 S**

(45) **Date of Patent:** **** Oct. 23, 2007**

(54) **VIBRATION ISOLATOR MOUNT**

(75) Inventor: **Mitsuo Kuzukawa**, Saitama (JP)

(73) Assignee: **Fukoku Co., Ltd.**, Saitama (JP)

(**) Term: **14 Years**

(21) Appl. No.: **29/234,931**

(22) Filed: **Jul. 26, 2005**

(51) **LOC (8) Cl.** **08-05**

(52) **U.S. Cl.** **D8/354**

(58) **Field of Classification Search** D8/354;
248/300, 589, 200

See application file for complete search history.

(56) **References Cited**

U.S. PATENT DOCUMENTS

6,773,001 B2 * 8/2004 Saiki et al. 267/140.4

* cited by examiner

Primary Examiner—Holly H. Baynham

(74) *Attorney, Agent, or Firm*—Westerman, Hattori, Daniels & Adrian, LLP.

(57) **CLAIM**

The ornamental design for a vibration isolator mount, as shown and described.

DESCRIPTION

FIG. 1 is a front elevation view of a vibration isolator mount showing my new design, the rear elevation view being a mirror image thereof;

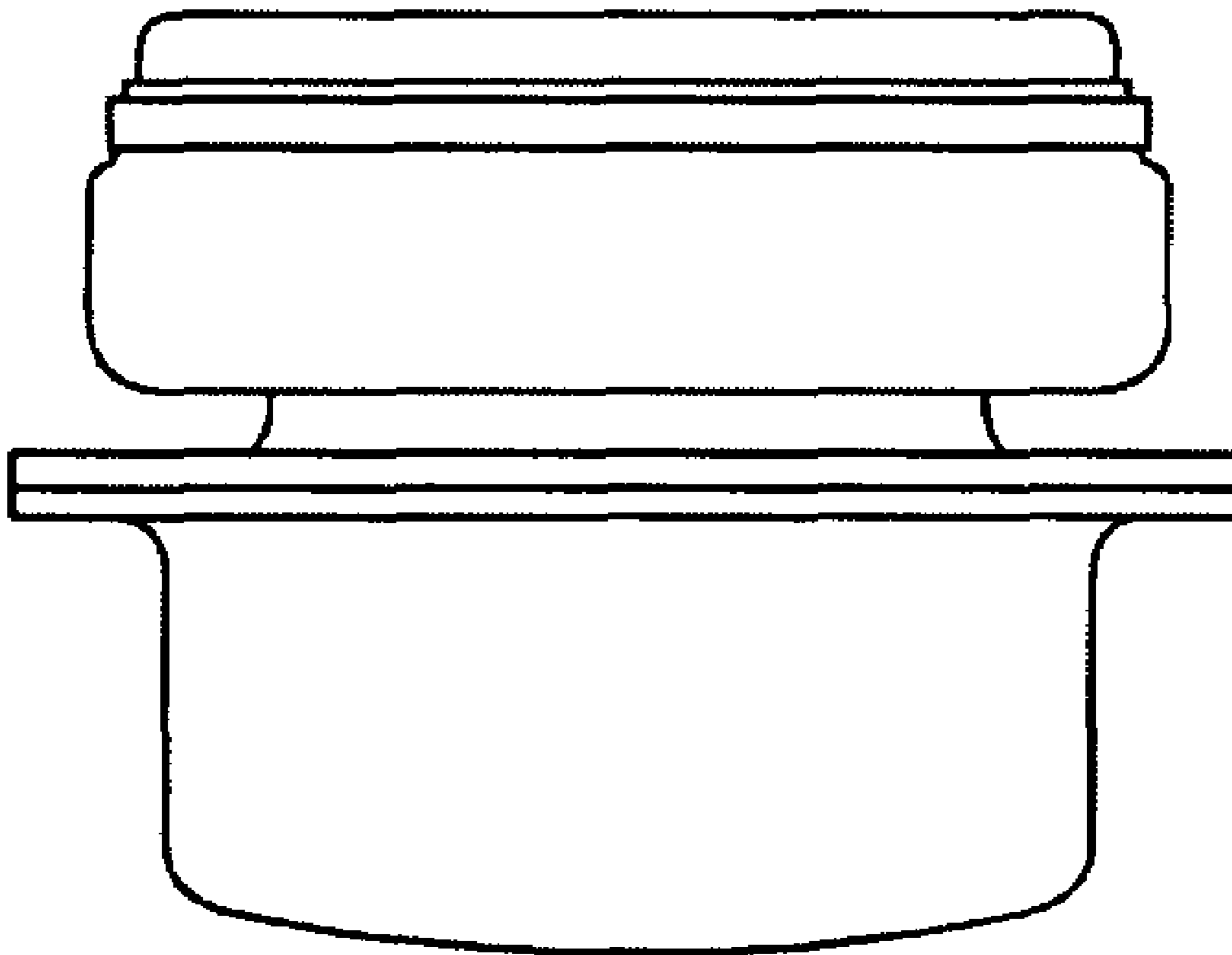
FIG. 2 is a left side elevation view thereof, the right side elevation view being a mirror image thereof;

FIG. 3 is a plan view thereof;

FIG. 4 is a bottom view thereof; and,

FIG. 5 is a perspective view thereof.

1 Claim, 1 Drawing Sheet



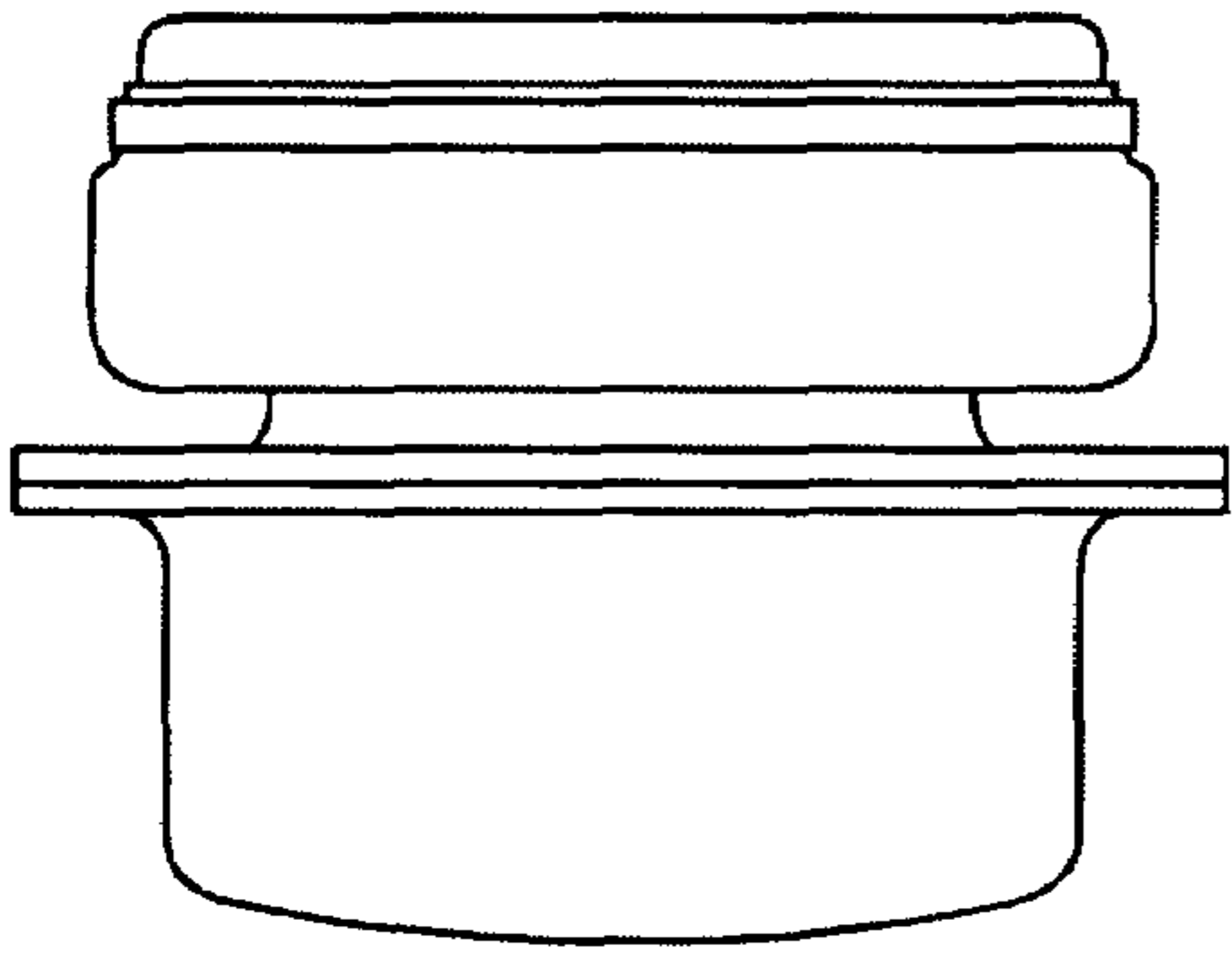


Fig.1

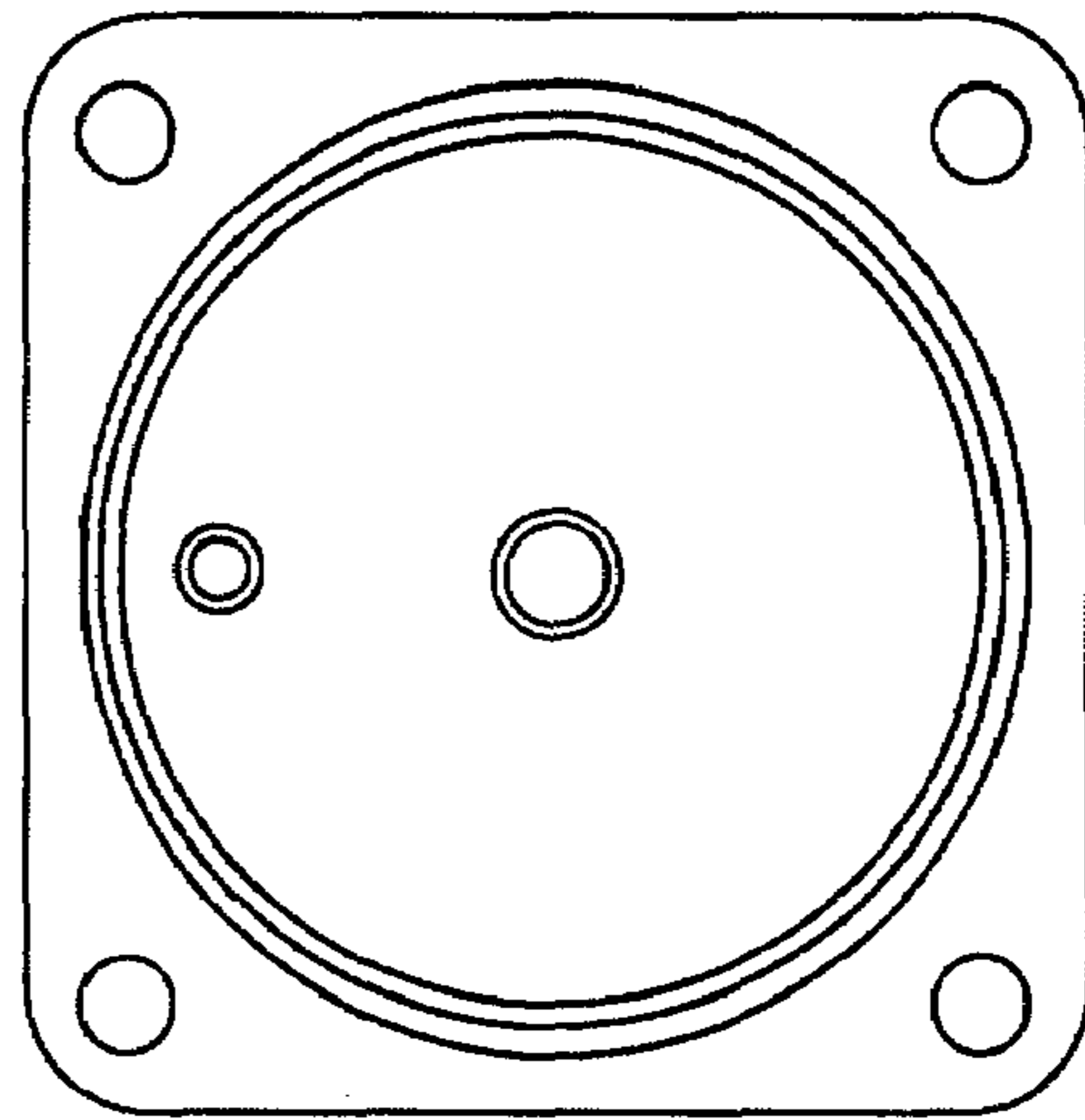


Fig.3

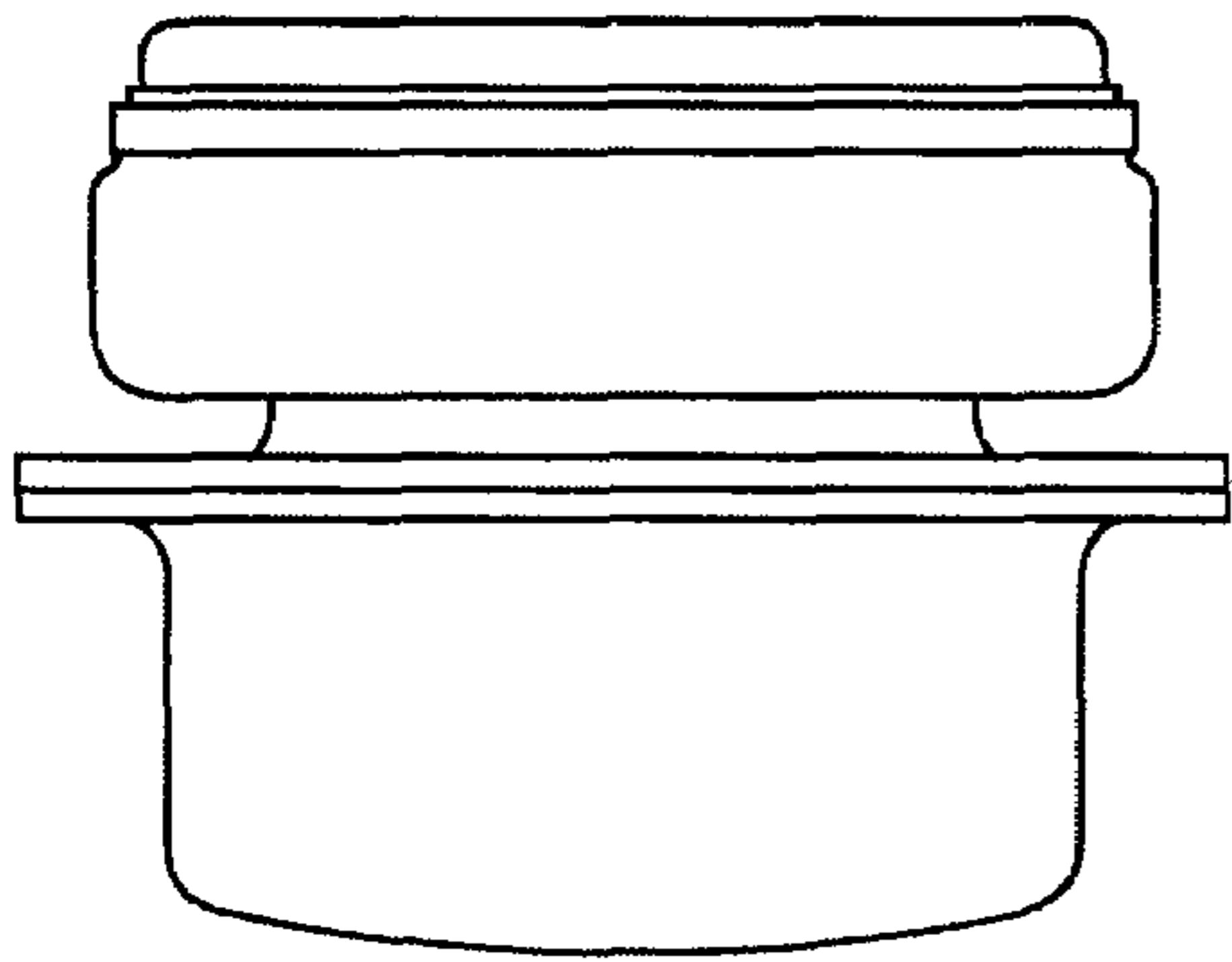


Fig.2

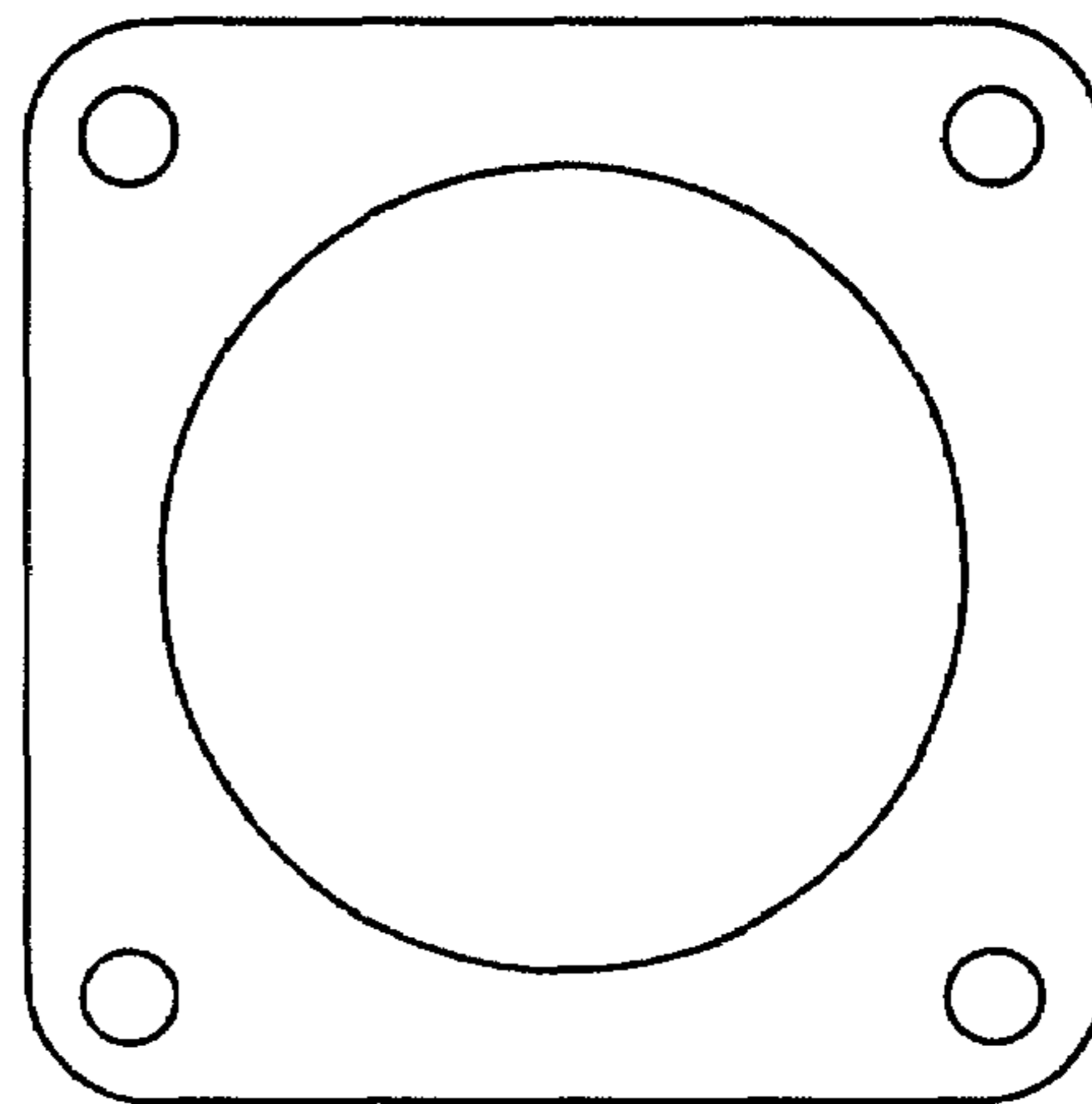


Fig.4

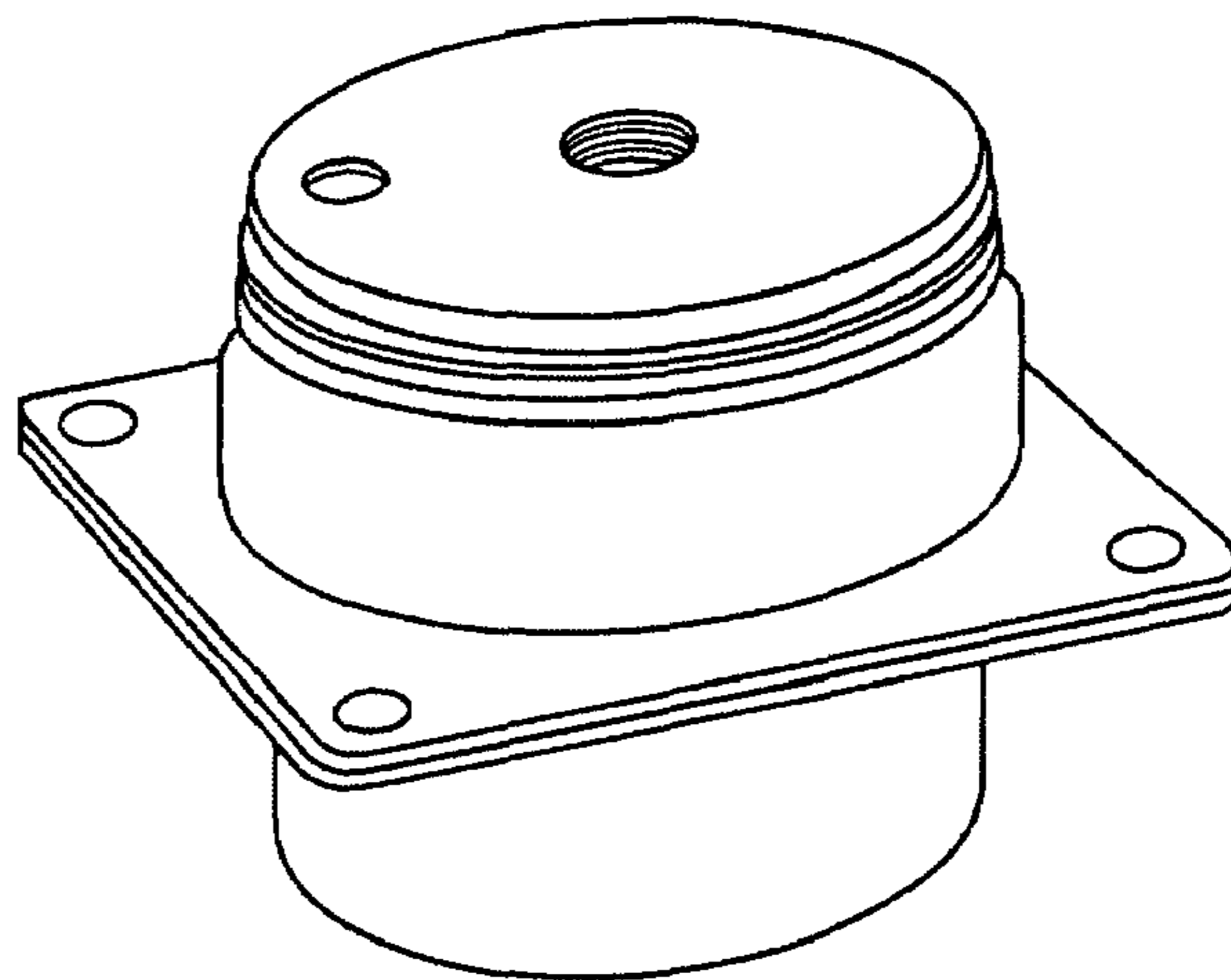


Fig.5

UNITED STATES PATENT AND TRADEMARK OFFICE
CERTIFICATE OF CORRECTION

PATENT NO. : Des. 553,477 S
APPLICATION NO. : 29/234931
DATED : October 23, 2007
INVENTOR(S) : Kuzukawa

Page 1 of 3

It is certified that error appears in the above-identified patent and that said Letters Patent is hereby corrected as shown below:

The title page showing the illustrative figure should be deleted to be replaced with the attached title page.

The drawing sheet, consisting of Figs. 1-5, should be deleted to be replaced with the drawing sheet, consisting of Figs. 1-5, as shown on the attached page.

(12) **United States Design Patent** (10) **Patent No.:** **US D553,477 S**
Kuzukawa (45) **Date of Patent:** **** Oct. 23, 2007**

(54) **VIBRATION ISOLATOR MOUNT**

Primary Examiner---Holly H. Baynham
(74) *Attorney, Agent, or Firm*---Westerman, Hattori, Daniels & Adrian, LLP.

(75) **Inventor:** Mitsuo Kuzukawa, Saitama (JP)

(73) **Assignee:** Fukoku Co., Ltd., Saitama (JP)

(57) **CLAIM**

(**) **Term:** 14 Years

The ornamental design for a vibration isolator mount, as shown and described.

(21) **Appl. No.:** 29/234,931

(22) **Filed:** Jul. 26, 2005

DESCRIPTION

(51) **LOC (8) Cl.** 08-05

FIG. 1 is a front elevation view of a vibration isolator mount showing my new design, the rear elevation view being a mirror image thereof;

(52) **U.S. Cl.** D8/354

(58) **Field of Classification Search** D8/354;
248/300, 589, 200

FIG. 2 is a left side elevation view thereof, the right side elevation view being a mirror image thereof;

See application file for complete search history.

FIG. 3 is a plan view thereof;

(56) **References Cited**

U.S. PATENT DOCUMENTS

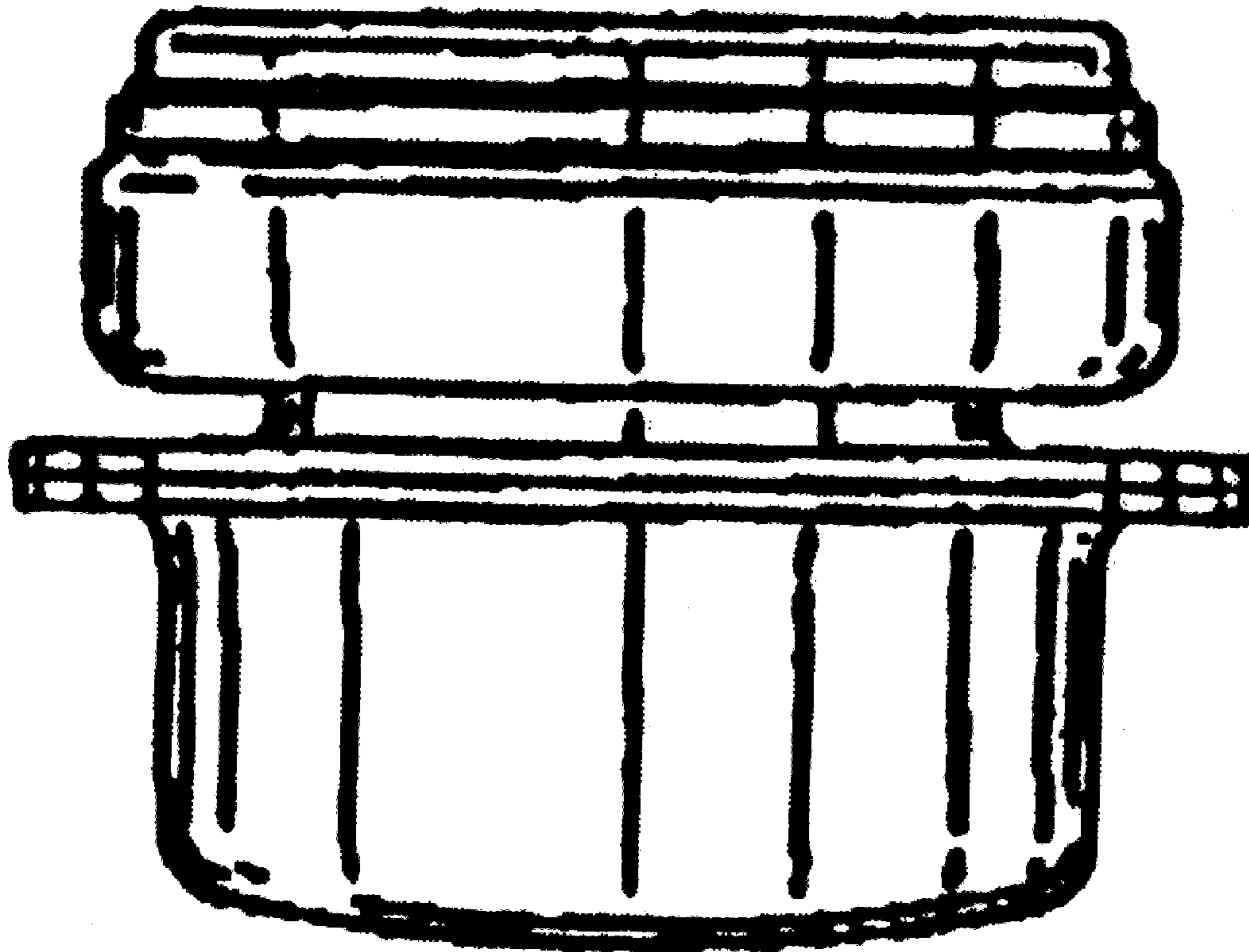
FIG. 4 is a bottom view thereof; and,

6,773,001 B2 * 8/2004 Saiki et al. 267/149.4

FIG. 5 is a perspective view thereof.

* cited by examiner

1 Claim, 1 Drawing Sheet



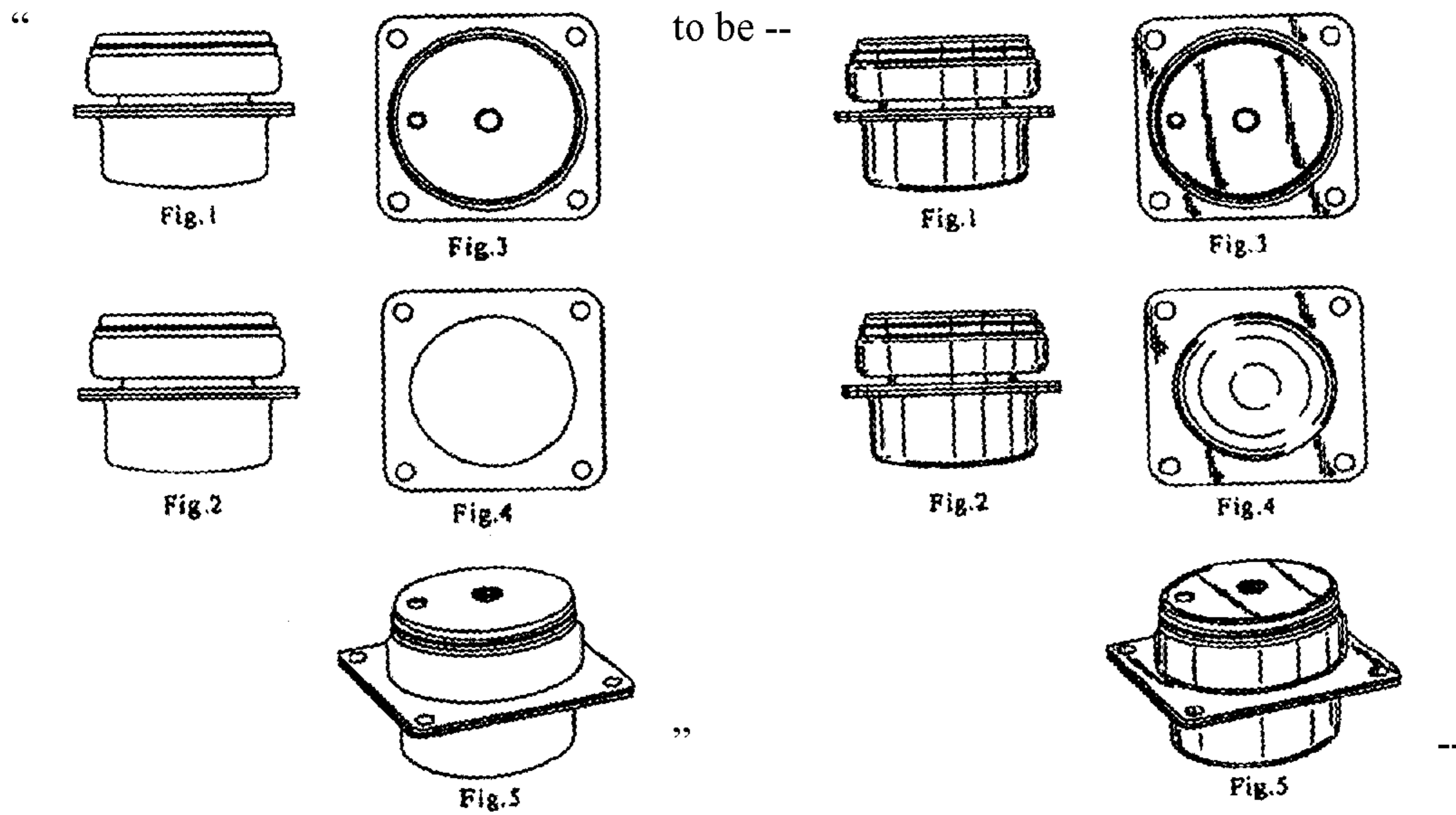
UNITED STATES PATENT AND TRADEMARK OFFICE
CERTIFICATE OF CORRECTION

PATENT NO. : Des. 553,477 S
APPLICATION NO. : 29/234931
DATED : October 23, 2007
INVENTOR(S) : Kuzukawa

Page 3 of 3

It is certified that error appears in the above-identified patent and that said Letters Patent is hereby corrected as shown below:

Delete Drawing Sheet 1:



Signed and Sealed this

Third Day of June, 2008



JON W. DUDAS
Director of the United States Patent and Trademark Office