



US00D553476S

(12) **United States Design Patent**
Waner et al.

(10) **Patent No.:** **US D553,476 S**

(45) **Date of Patent:** **** Oct. 23, 2007**

(54) **HANGER COLLECTION BAR SUPPORT**

(75) Inventors: **John A. Waner**, Kirkland, WA (US);
Kai-Chi Lam, Bellevue, WA (US);
Max Shaq Hsin Pau, Renton, WA (US)

(73) Assignee: **International Retail Services Group, LLC**, Woodinville, WA (US)

(**) Term: **14 Years**

(21) Appl. No.: **29/225,692**

(22) Filed: **Mar. 17, 2005**

(51) **LOC (8) Cl.** **08-05**

(52) **U.S. Cl.** **D8/354; D8/373**

(58) **Field of Classification Search** D8/349,
D8/354, 373; D6/328, 525; 211/105.1; 248/95
See application file for complete search history.

(56) **References Cited**

U.S. PATENT DOCUMENTS

3,744,081 A * 7/1973 Miller 15/257.1
D406,485 S * 3/1999 Paikos et al. D6/566

* cited by examiner

Primary Examiner—Holly H. Baynham

(74) *Attorney, Agent, or Firm*—Brian L. Johnson; David H. Deits; Davis Wright Tremaine LLP

(57) **CLAIM**

The ornamental design for a hanger collection bar support, as shown and described.

DESCRIPTION

FIG. 1 is a front isometric view of a hanger collection bar support showing our new design.

FIG. 2 is a top plan view thereof.

FIG. 3 is a bottom plan view thereof.

FIG. 4 is a front elevation view thereof.

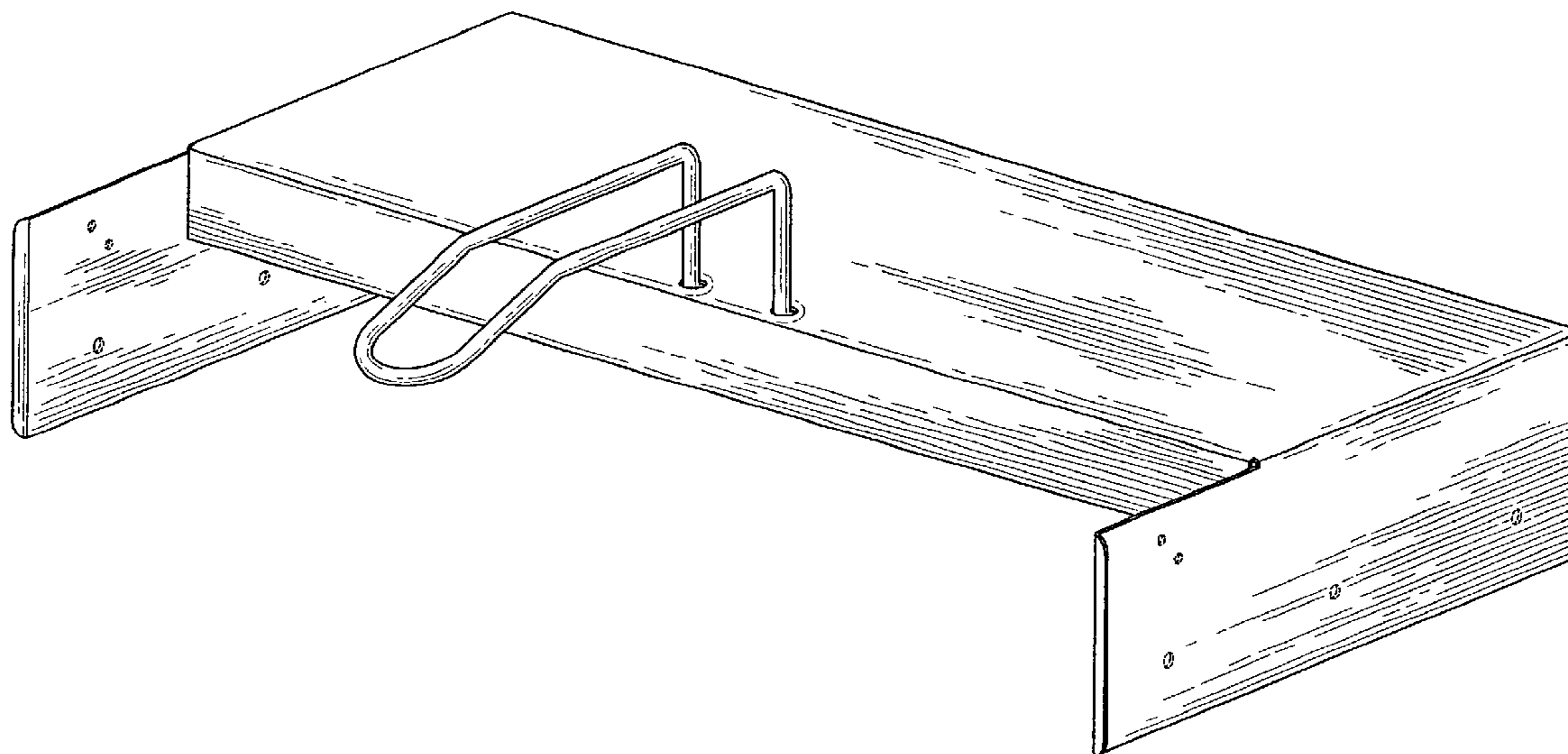
FIG. 5 is a rear elevation view thereof.

FIG. 6 is a left side elevation view thereof; and,

FIG. 7 is a right side elevation view thereof.

The broken lines are for illustrative purposes only and form no part of the claimed design.

1 Claim, 5 Drawing Sheets



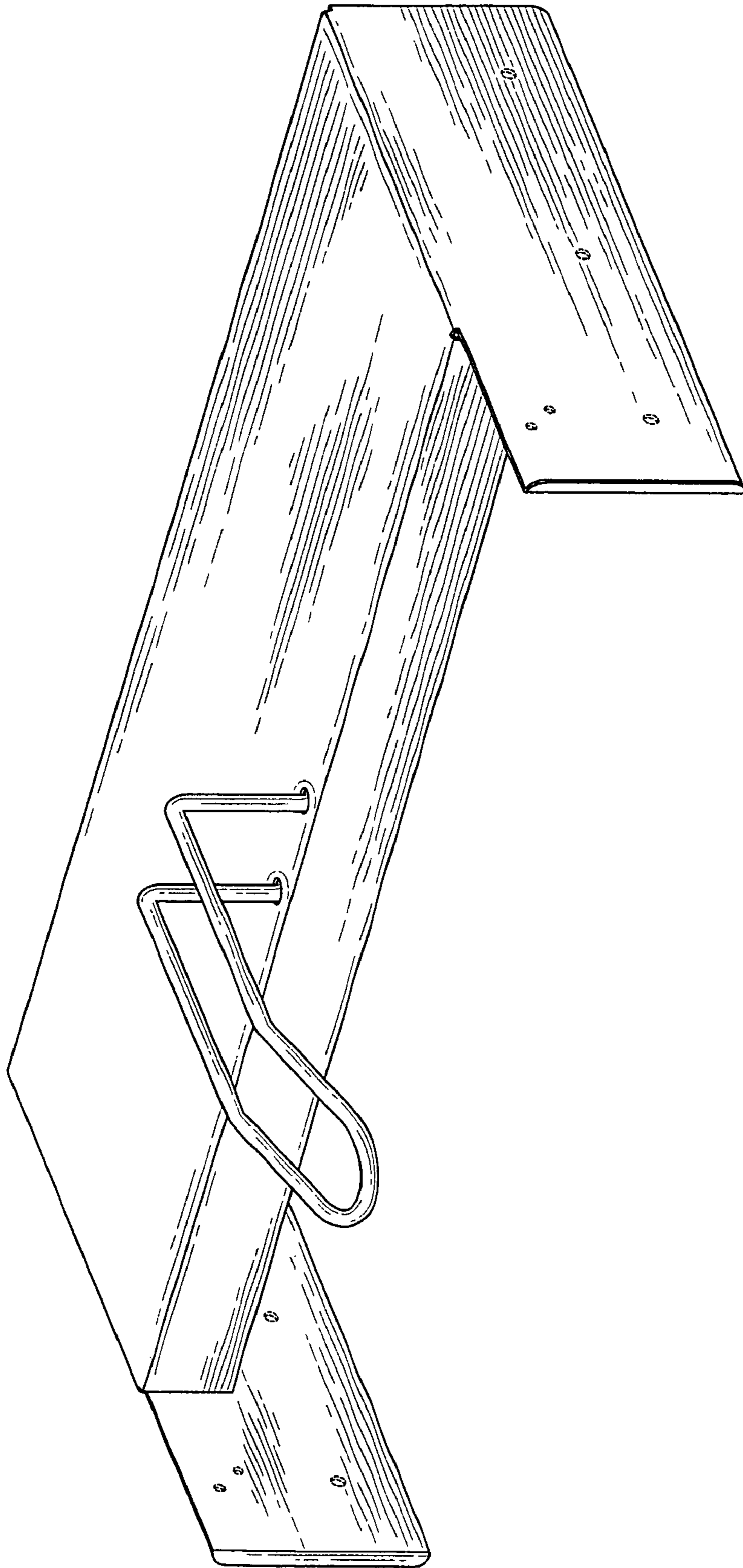


Fig. 1

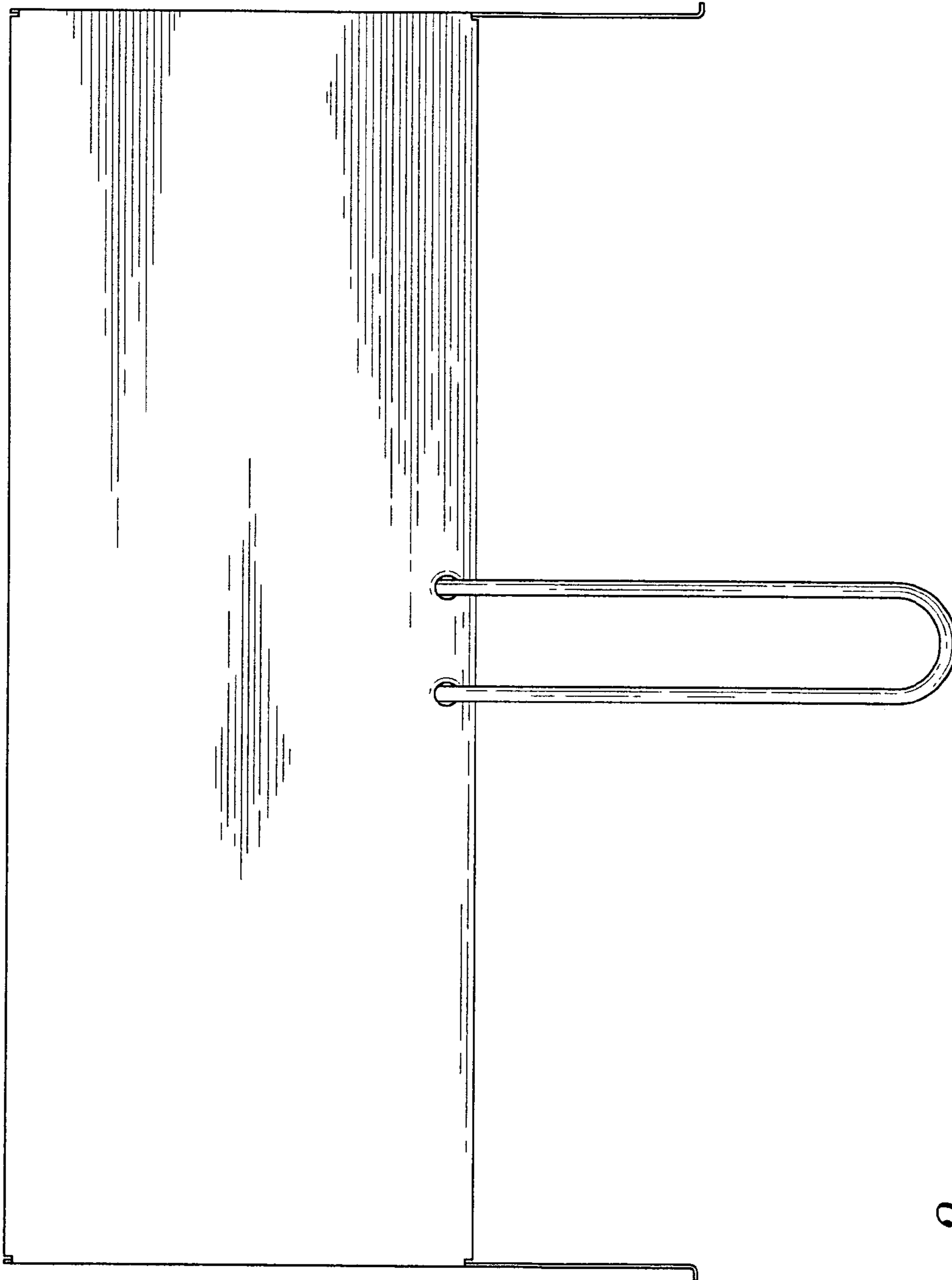


Fig. 2

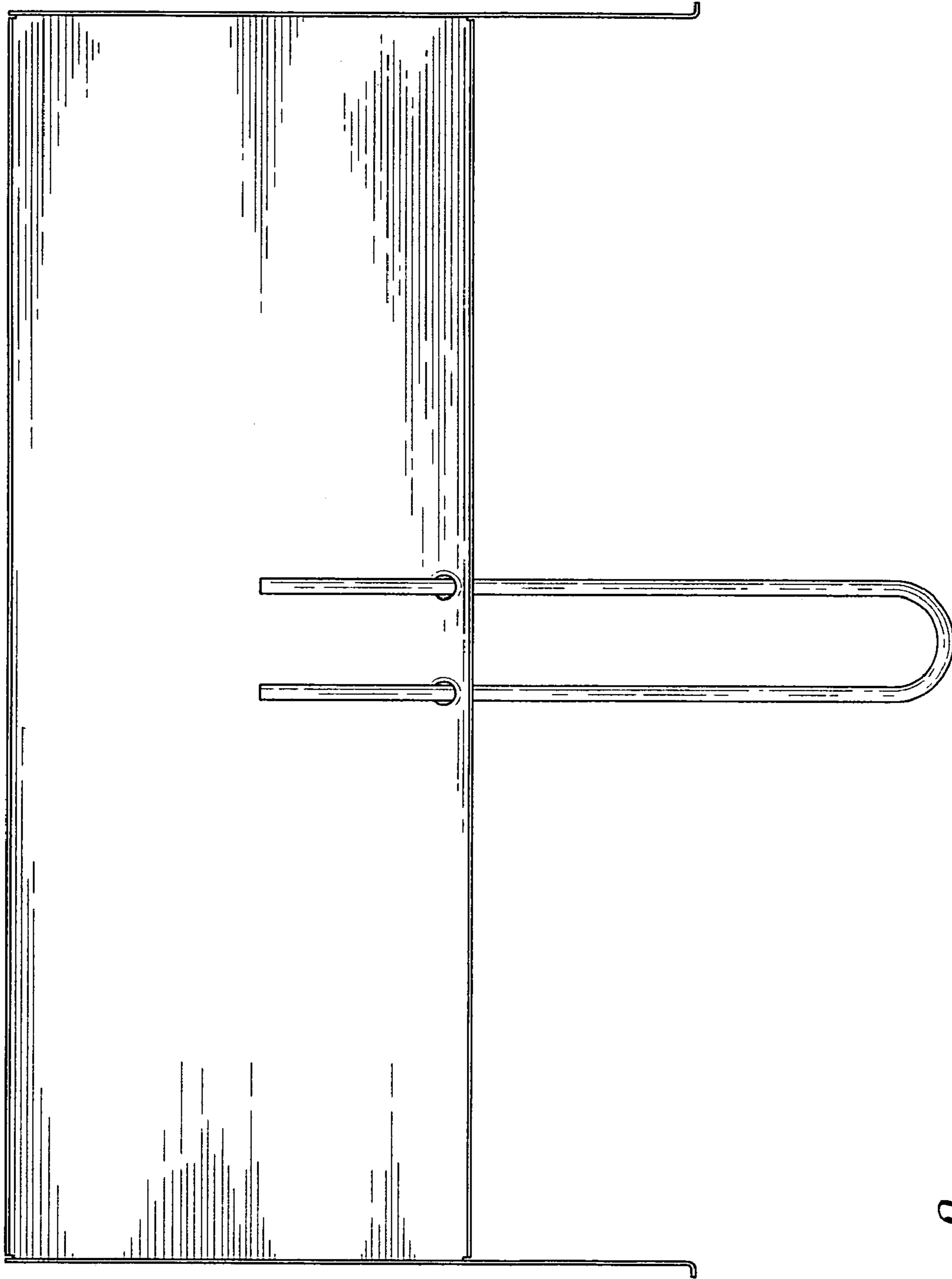


Fig. 3

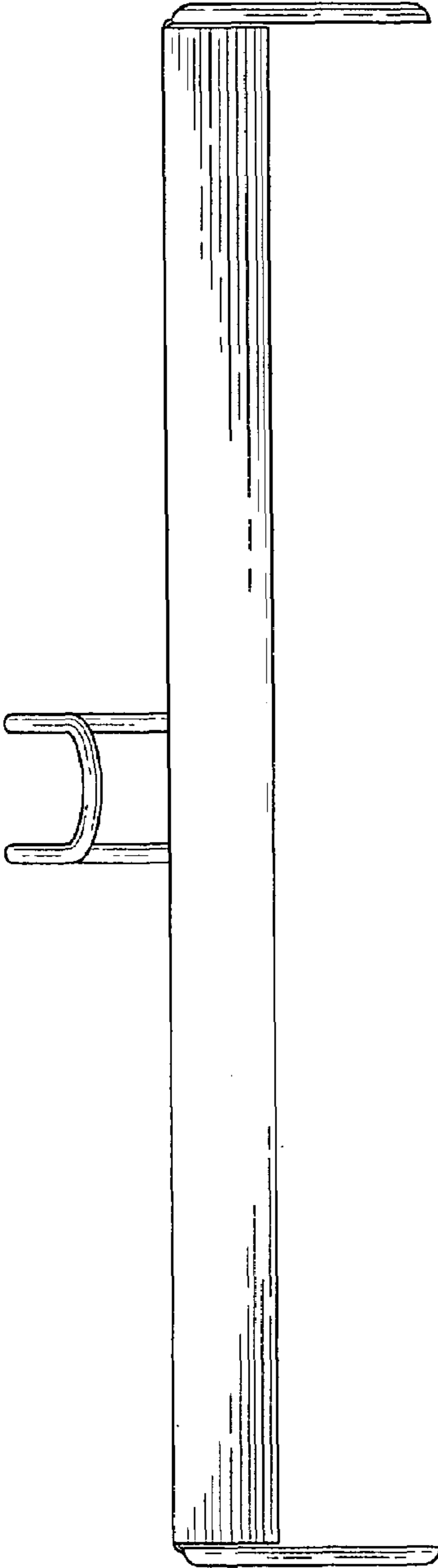


Fig. 4

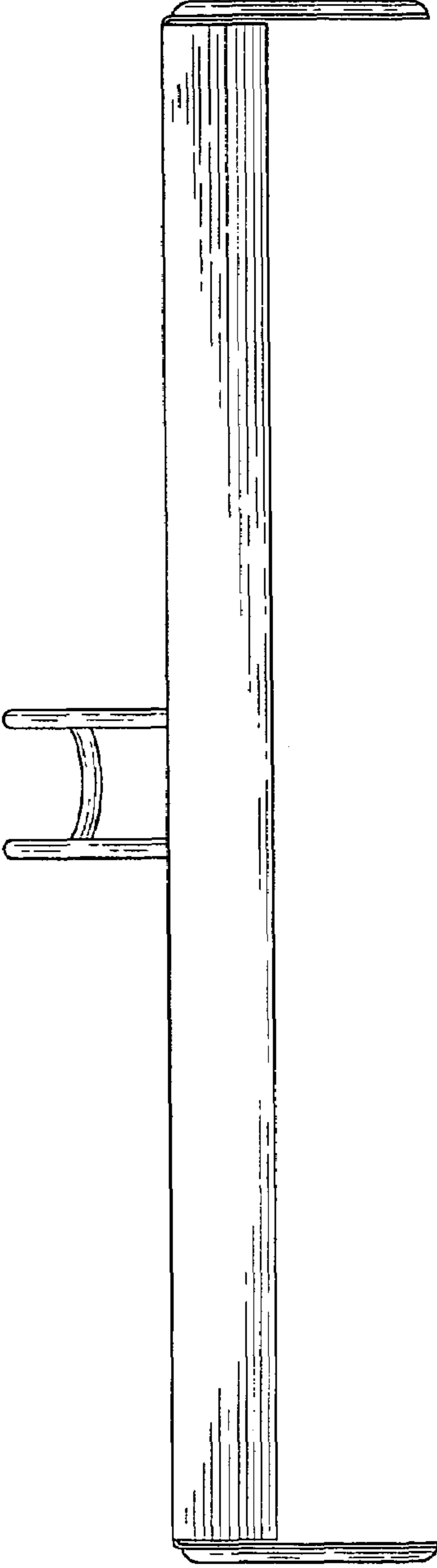


Fig. 5

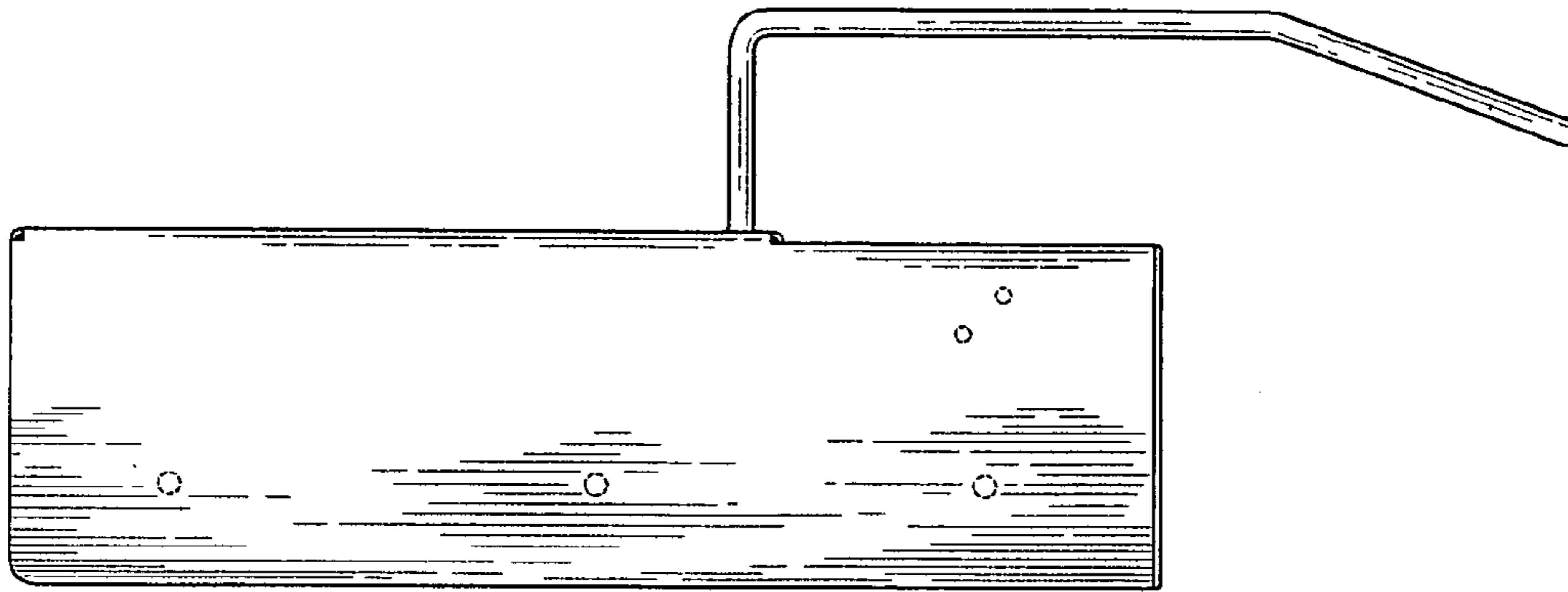


Fig. 6

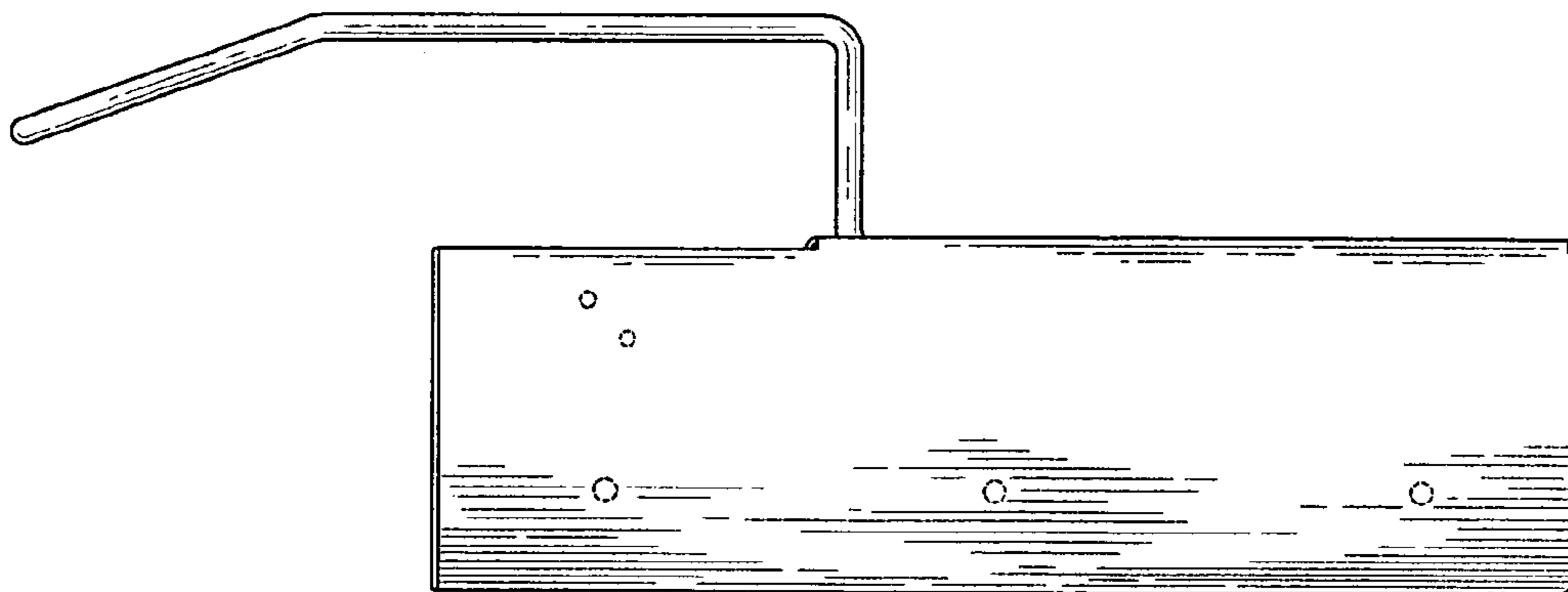


Fig. 7