



US00D553475S

(12) **United States Design Patent**
Gorin et al.

(10) **Patent No.:** **US D553,475 S**

(45) **Date of Patent:** **** Oct. 23, 2007**

(54) **WALL PLATE WITH ANGLED EDGE
INTERNAL NOSE**

D346,587 S 5/1994 Herman et al. D13/177
D350,278 S 9/1994 Figueroa D8/353
5,484,308 A * 1/1996 Gotz et al. 439/536

(75) Inventors: **Thomas Michael Gorin**, Atlanta, GA
(US); **James Loye Hutchinson**, Dallas,
GA (US)

(Continued)

(73) Assignee: **Data:)Comm Electronics, Inc.**,
Norcross, GA (US)

OTHER PUBLICATIONS

(**) Term: **14 Years**

Web pages of Direct Connect, 5 pages.
4 Photographs dated Jan. 19, 2006.

(21) Appl. No.: **29/269,476**

Primary Examiner—Stella M. Reid
Assistant Examiner—Mark Goodwin

(22) Filed: **Nov. 30, 2006**

(74) *Attorney, Agent, or Firm*—Thomas, Kayden,
Horstemeyer & Risley, LLP

(51) **LOC (8) Cl.** **11-05**

(52) **U.S. Cl.** **D8/353**

(58) **Field of Classification Search** D8/350–353;
D10/108, 125, 123; D13/158, 169, 171,
D13/156, 174, 162, 177, 184; 174/66, 67;
248/56; 200/304, 330; 40/729, 732; 250/462
See application file for complete search history.

(57) **CLAIM**

The ornamental design for a wall plate with angled edge
internal nose, as shown and described.

(56) **References Cited**

DESCRIPTION

U.S. PATENT DOCUMENTS

D126,098 S 3/1941 McIntosh
D131,009 S 1/1942 Leslie
D131,010 S 1/1942 Leslie
D134,477 S 12/1942 Leslie
2,427,349 A 9/1947 Boynton 173/330
D261,924 S 11/1981 Donohue D23/127
4,558,172 A * 12/1985 Zetena 174/66
D286,739 S * 11/1986 Larsson D8/353
4,688,747 A 8/1987 Helmsdorfer et al. 248/56
D301,333 S 5/1989 Bongard et al. D13/13
D301,336 S 5/1989 Copeland D13/32
D301,872 S 6/1989 Copeland D13/32
D304,442 S * 11/1989 Fenne D13/169
4,950,840 A * 8/1990 Zetena 174/66
4,960,317 A * 10/1990 Briggs et al. 385/56
D321,557 S 11/1991 Bezick et al. D23/393
5,124,506 A * 6/1992 Briggs et al. 174/67
5,219,297 A * 6/1993 Stein et al. 439/188

FIG. 1 is a perspective view of the double wall plate with
angled edge internal nose;

FIG. 2 is a left side view thereof;

FIG. 3 is a right side view thereof;

FIG. 4 is a front view thereof;

FIG. 5 is a rear view thereof;

FIG. 6 is a top view thereof;

FIG. 7 is a bottom view thereof;

FIG. 8 is a perspective view of the single wall plate with
angled edge internal nose;

FIG. 9 is a left side view thereof;

FIG. 10 is a right side view thereof;

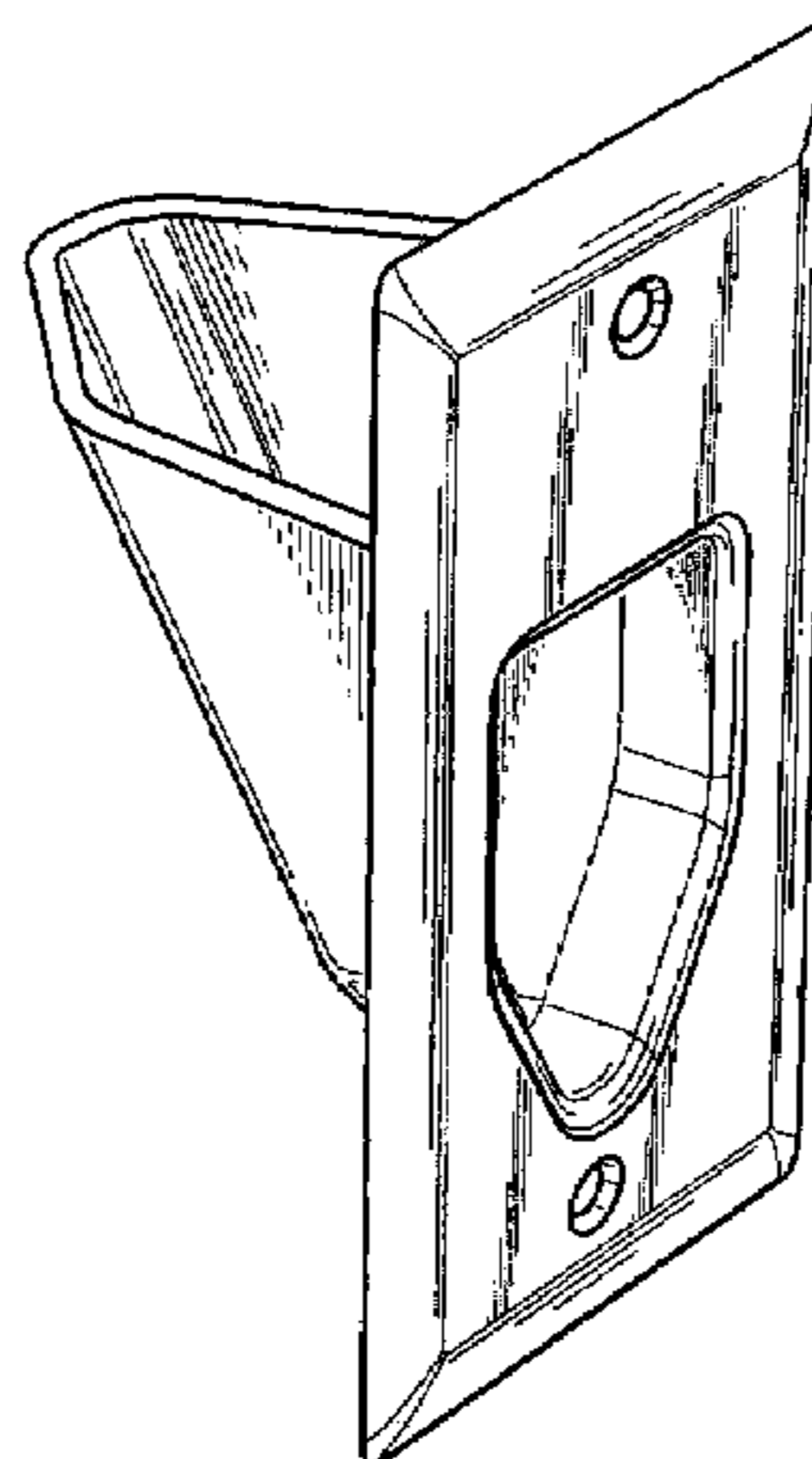
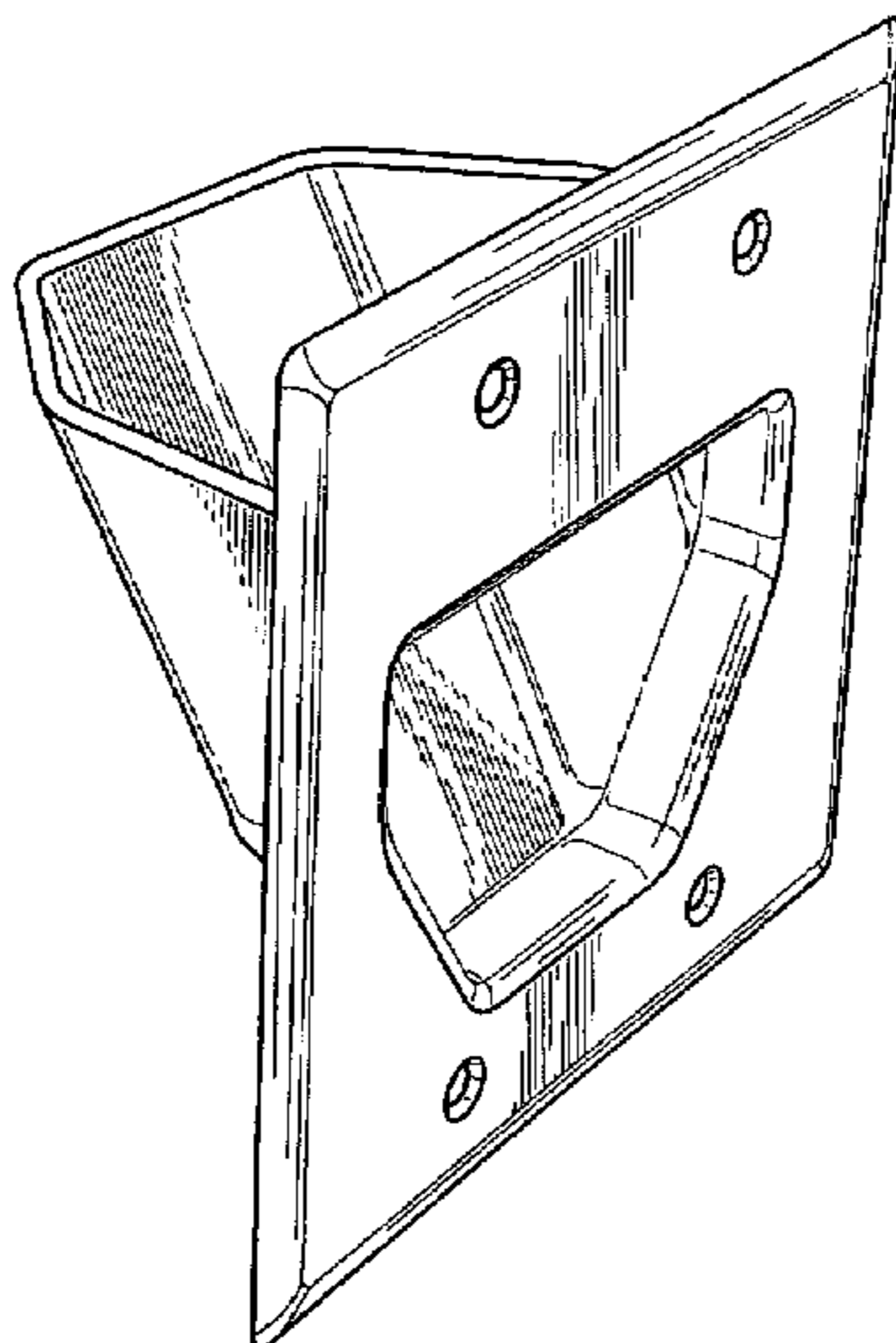
FIG. 11 is a front view thereof;

FIG. 12 is a rear view thereof;

FIG. 13 is a top view thereof; and,

FIG. 14 is a bottom view thereof.

1 Claim, 6 Drawing Sheets



US D553,475 S

Page 2

U.S. PATENT DOCUMENTS

D369,953 S *	5/1996	Carr	D8/353	D408,018 S	4/1999	McNaughton	D13/177
D370,890 S	6/1996	Tiberio, Jr.	D13/146	D411,734 S	6/1999	Hsiang	D8/353
D374,809 S *	10/1996	Scherer et al.	D8/353	D430,149 S	8/2000	Afshar-Ghochani	D14/240
D379,797 S	6/1997	Arnett	D13/156	D449,584 S	10/2001	Dinh	D13/156
5,645,449 A *	7/1997	Sabo	439/540.1	D450,663 S	11/2001	Smith	D13/177
5,664,955 A	9/1997	Arnett	439/135	D495,041 S	8/2004	Thomas	D23/325
D399,829 S	10/1998	Reed	D13/156	D502,386 S	3/2005	Provenzano et al.	D8/350
D401,561 S	11/1998	Brownell et al.	D13/156	D503,156 S	3/2005	Provenzano	D13/156

* cited by examiner

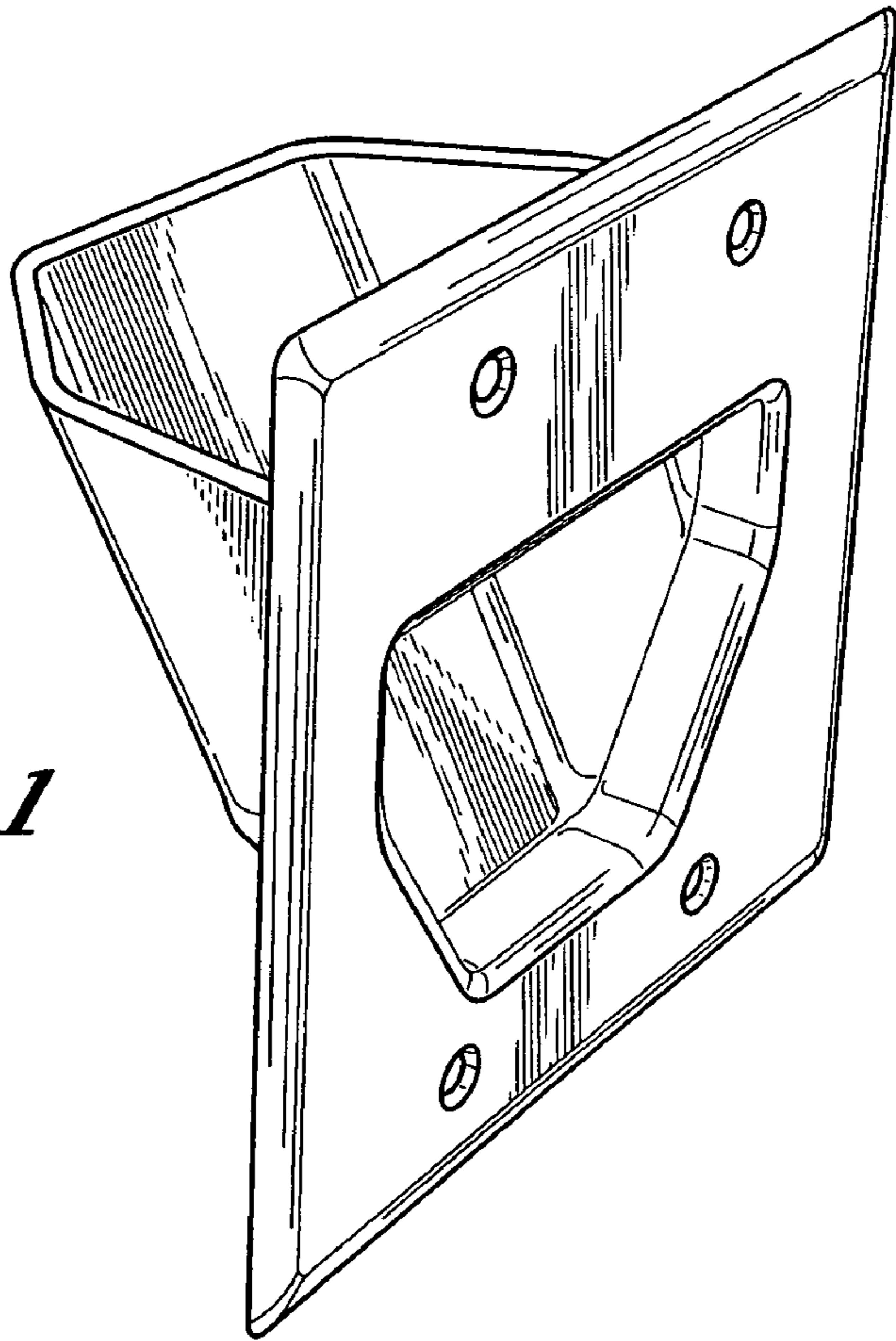


Fig. 1

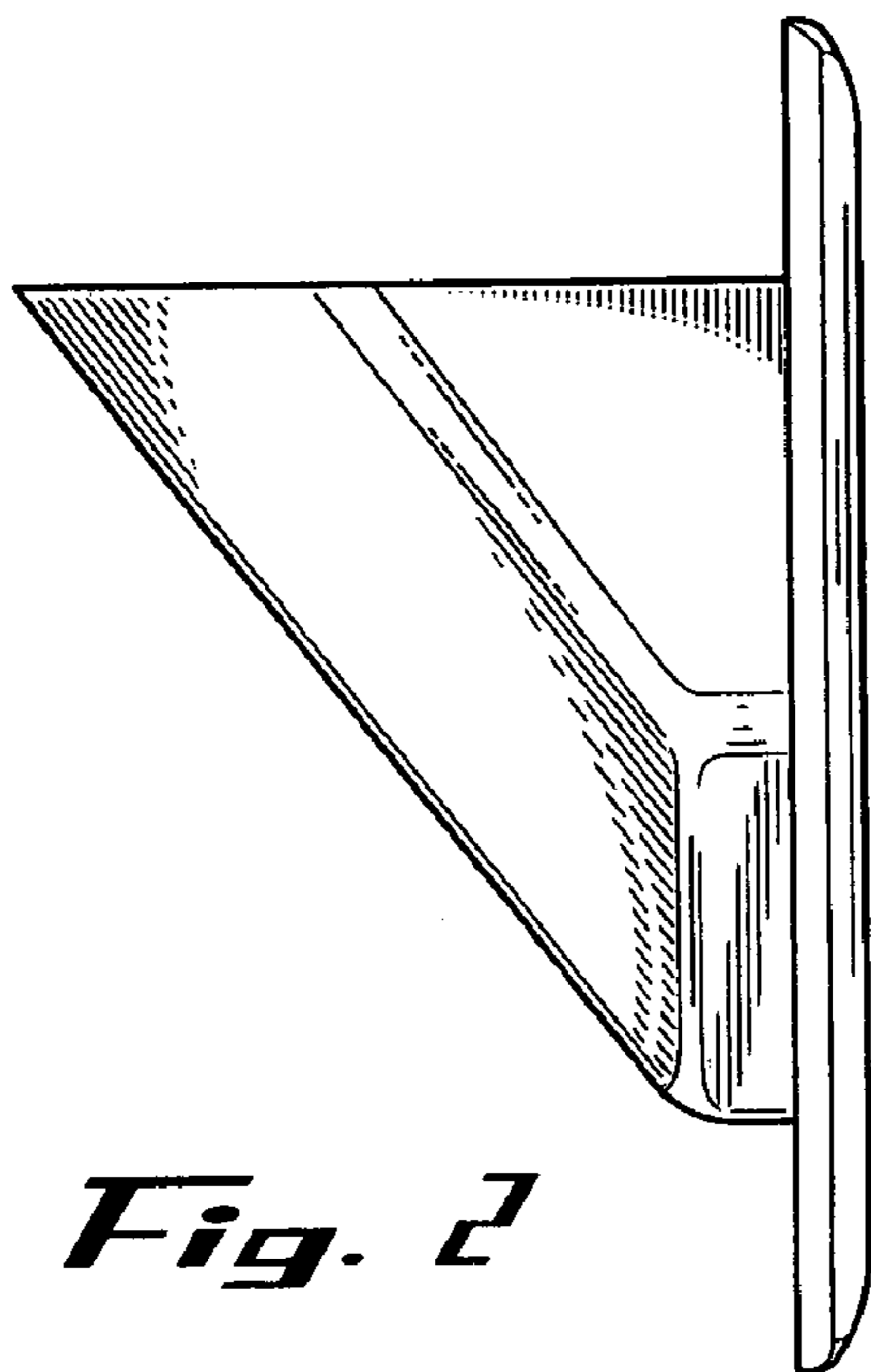


Fig. 2

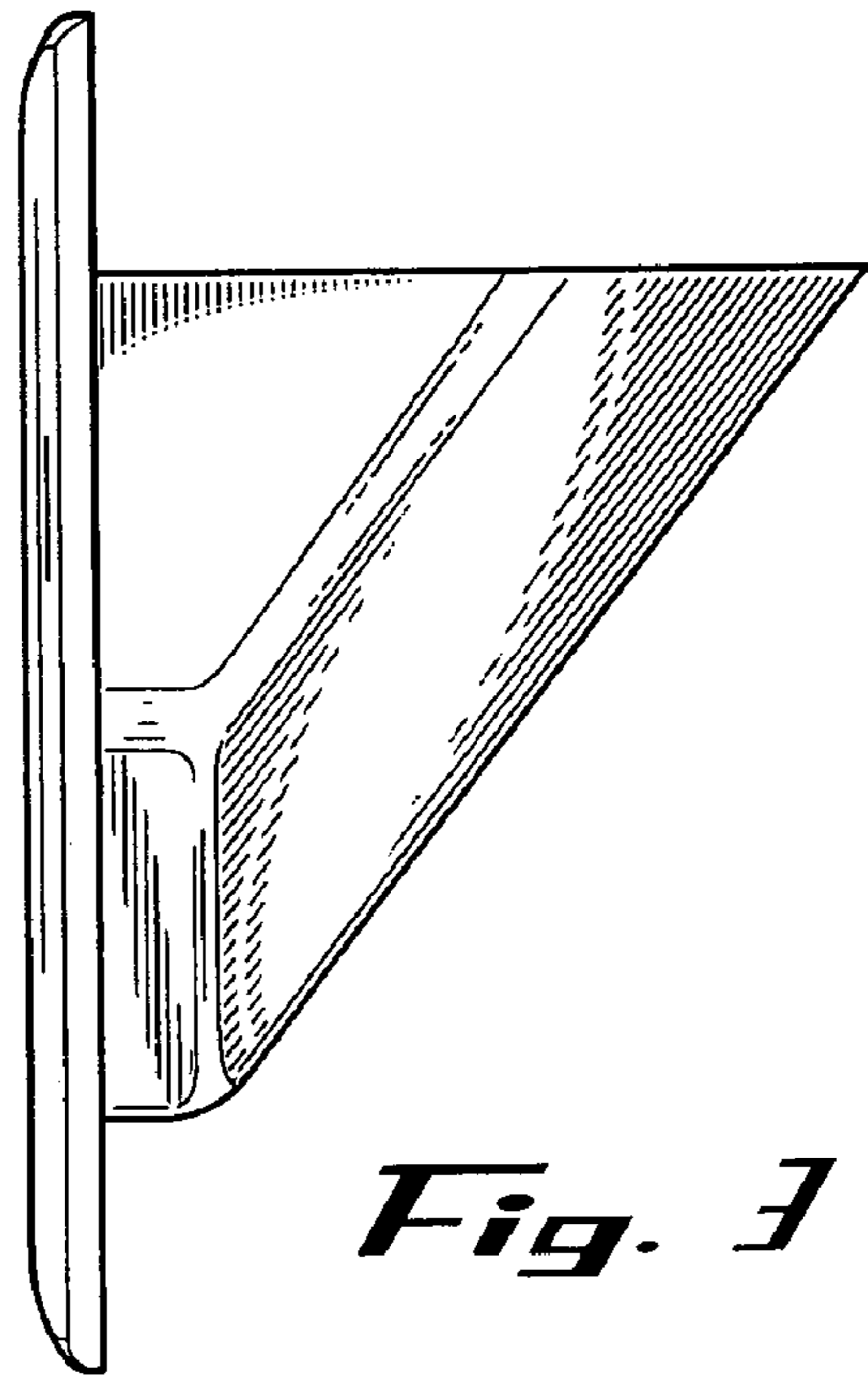


Fig. 3

Fig. 4

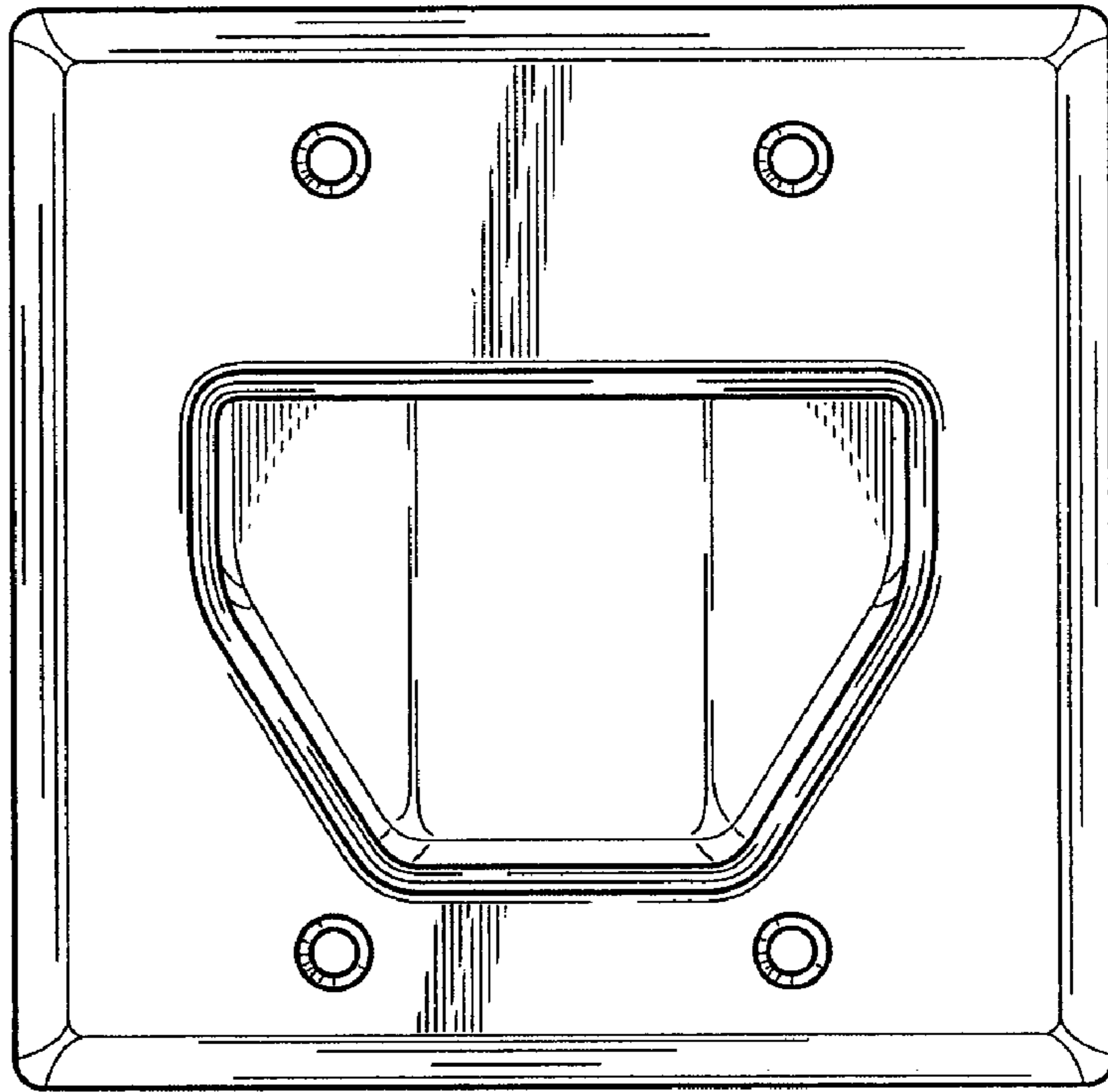
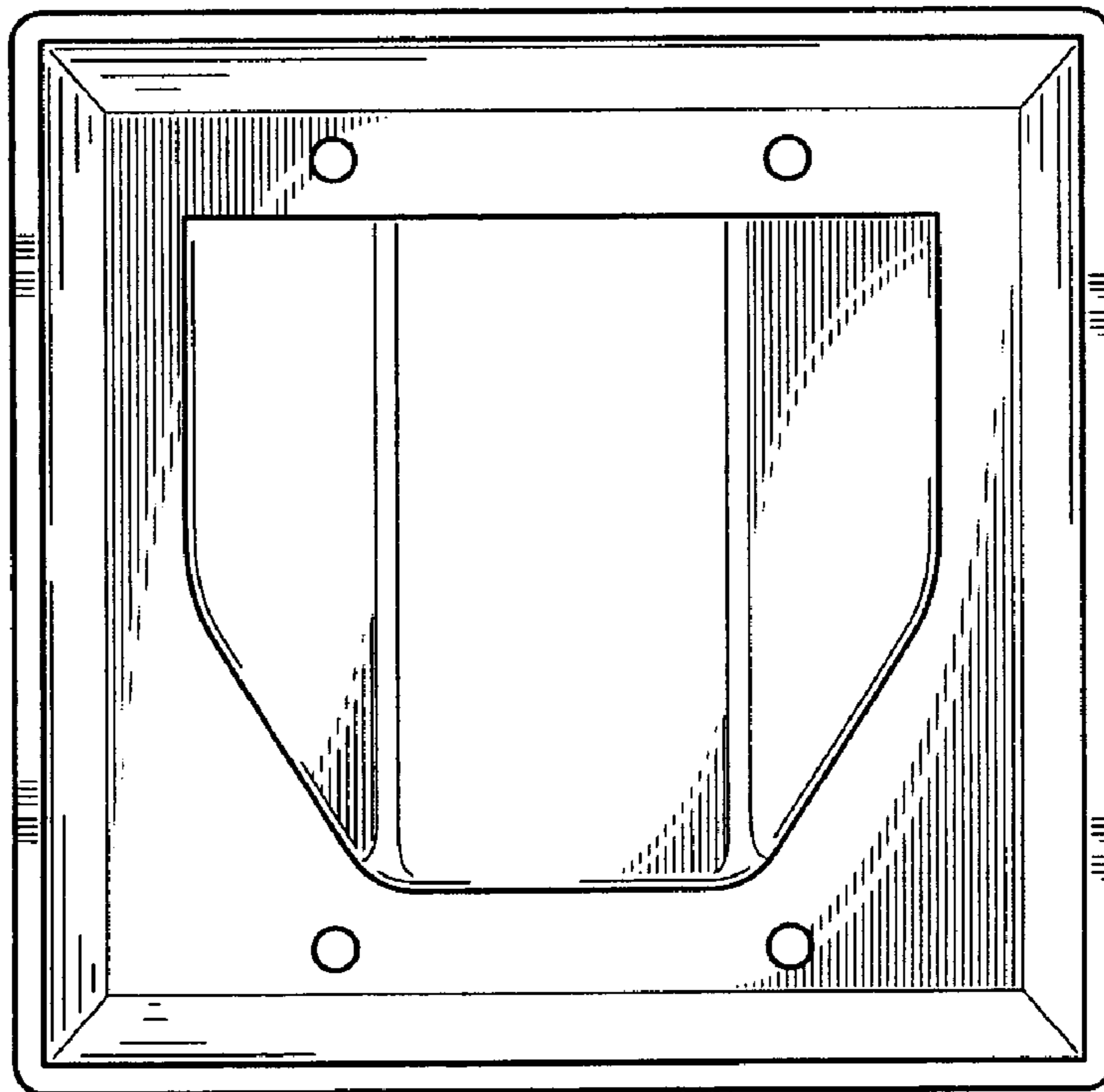


Fig. 5



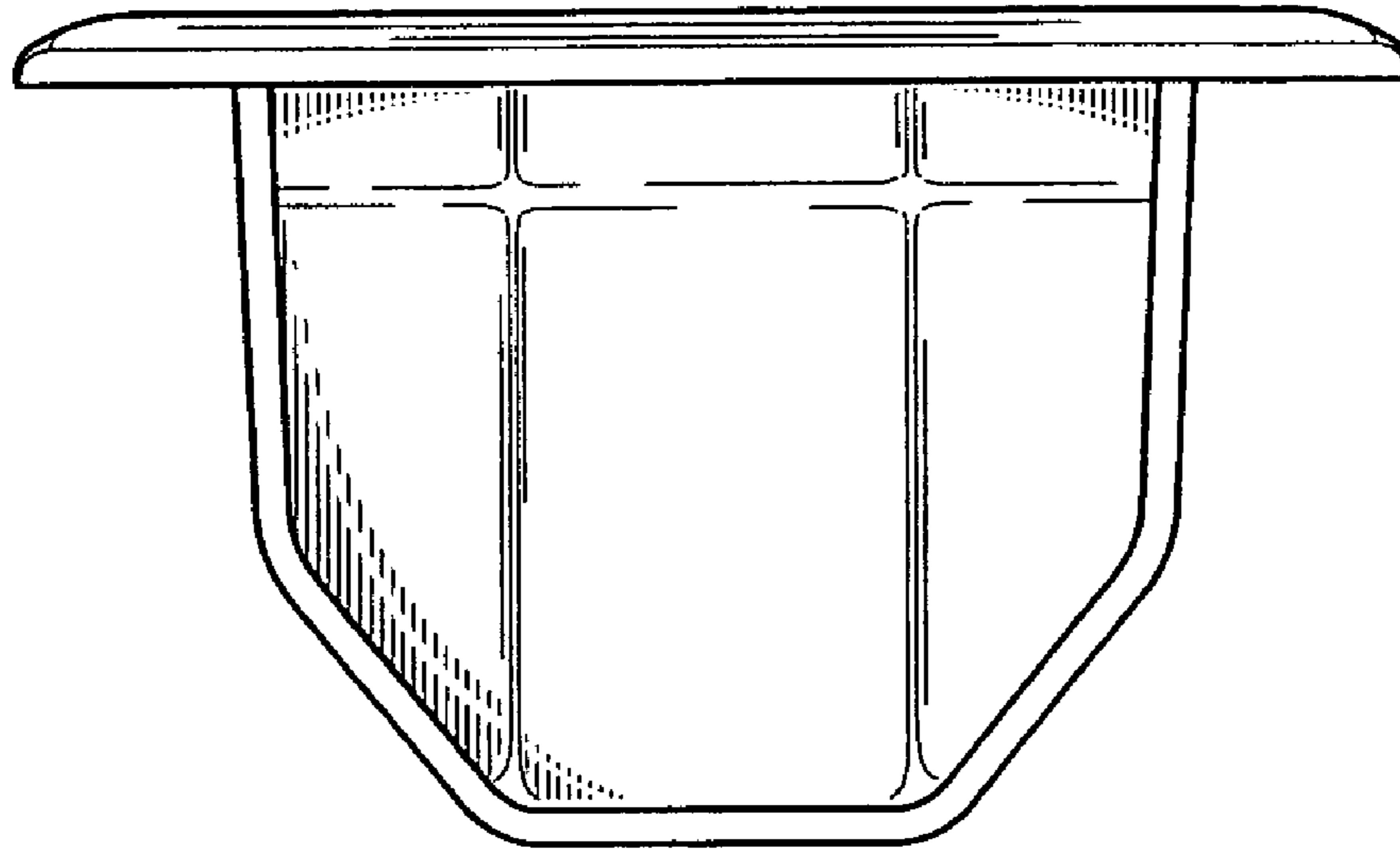


Fig. 6

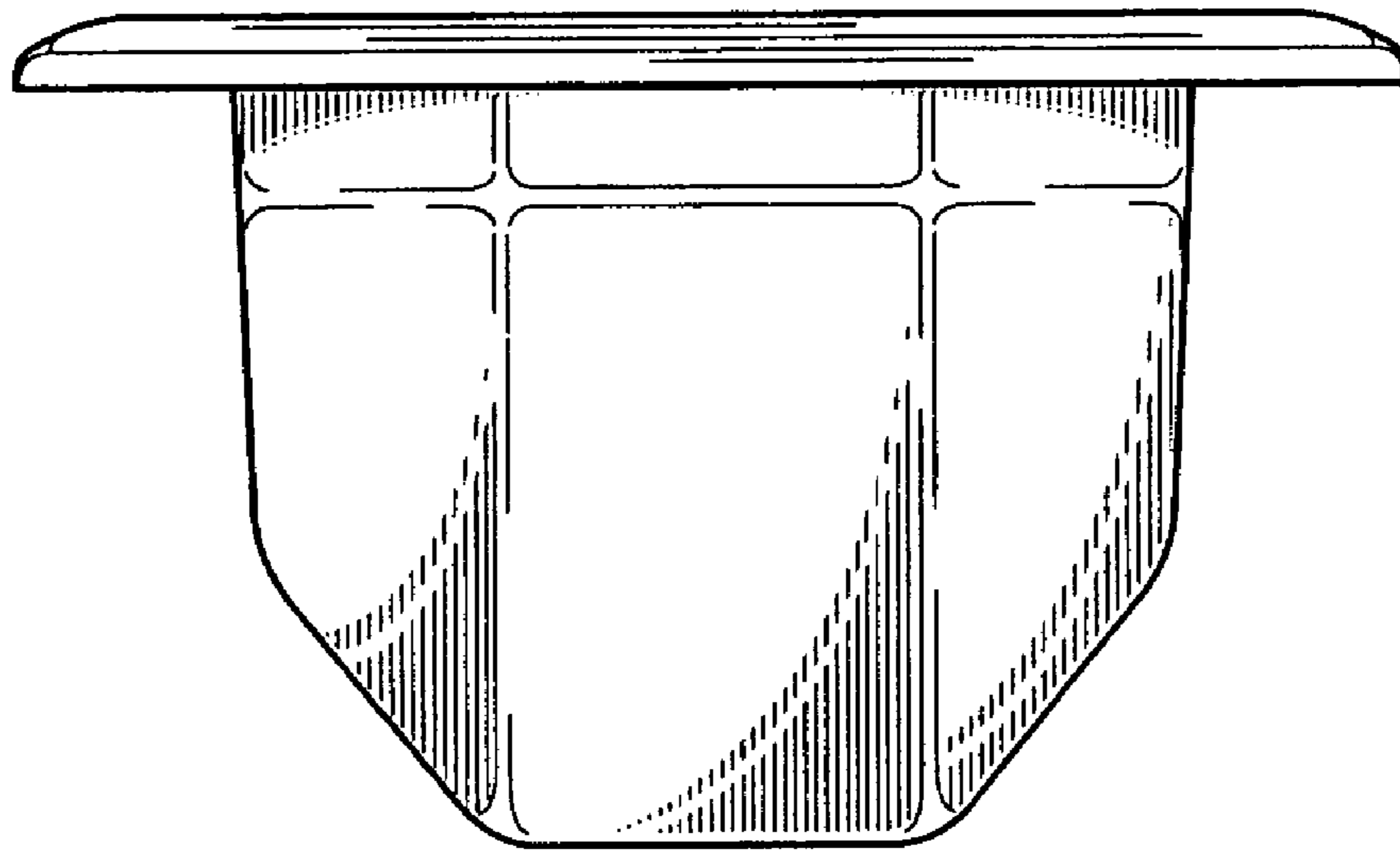


Fig. 7

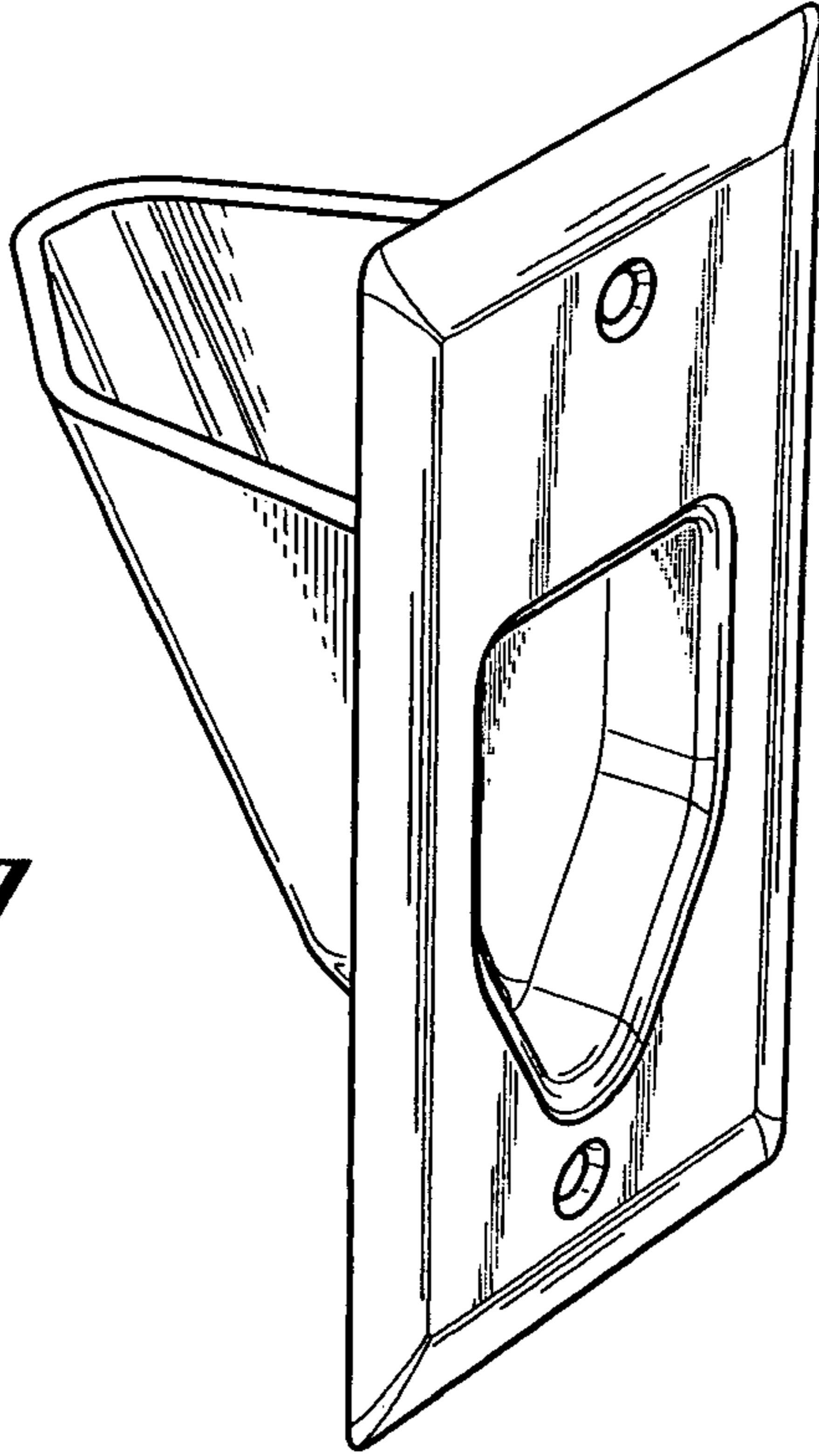


Fig. 8

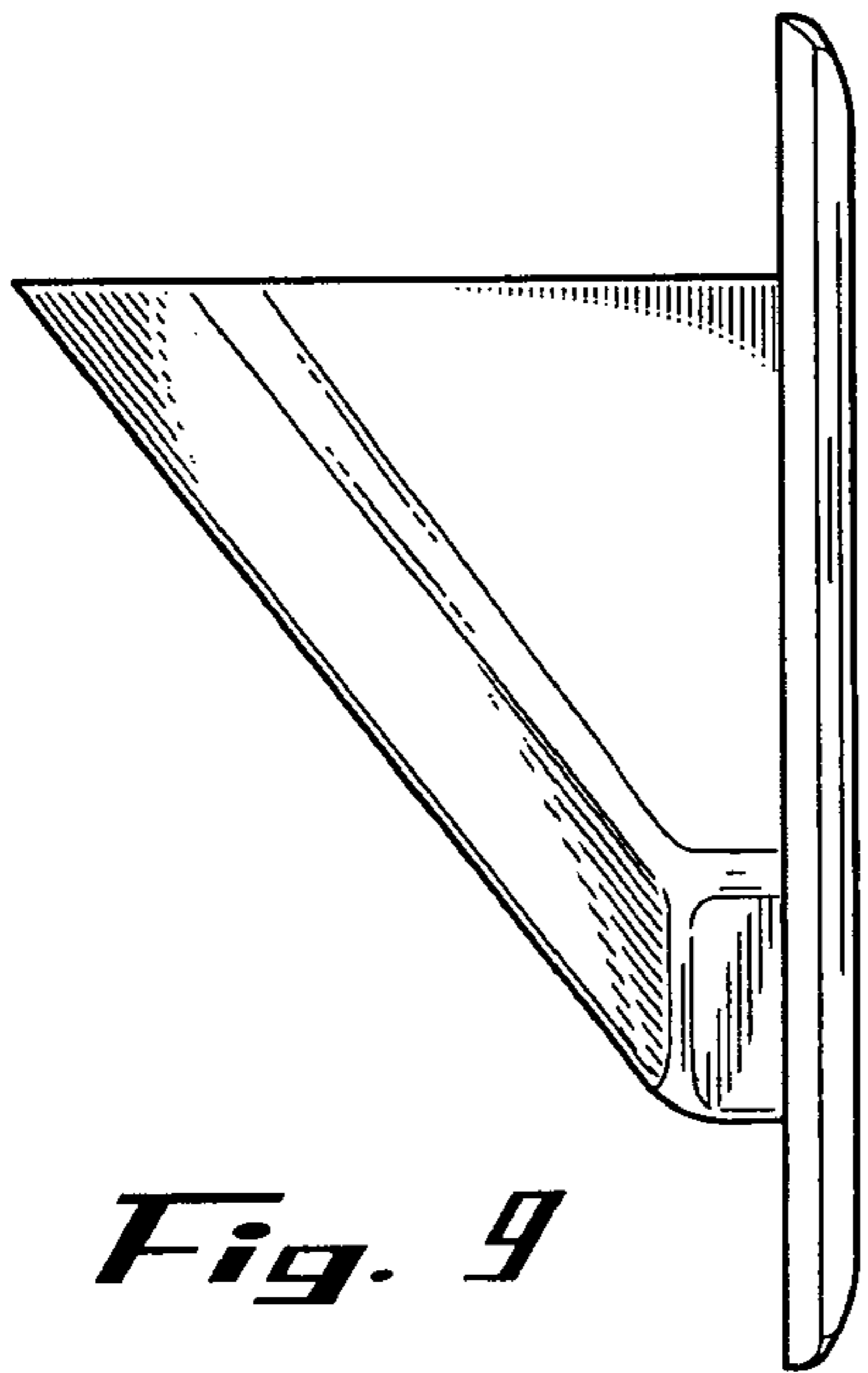


Fig. 9

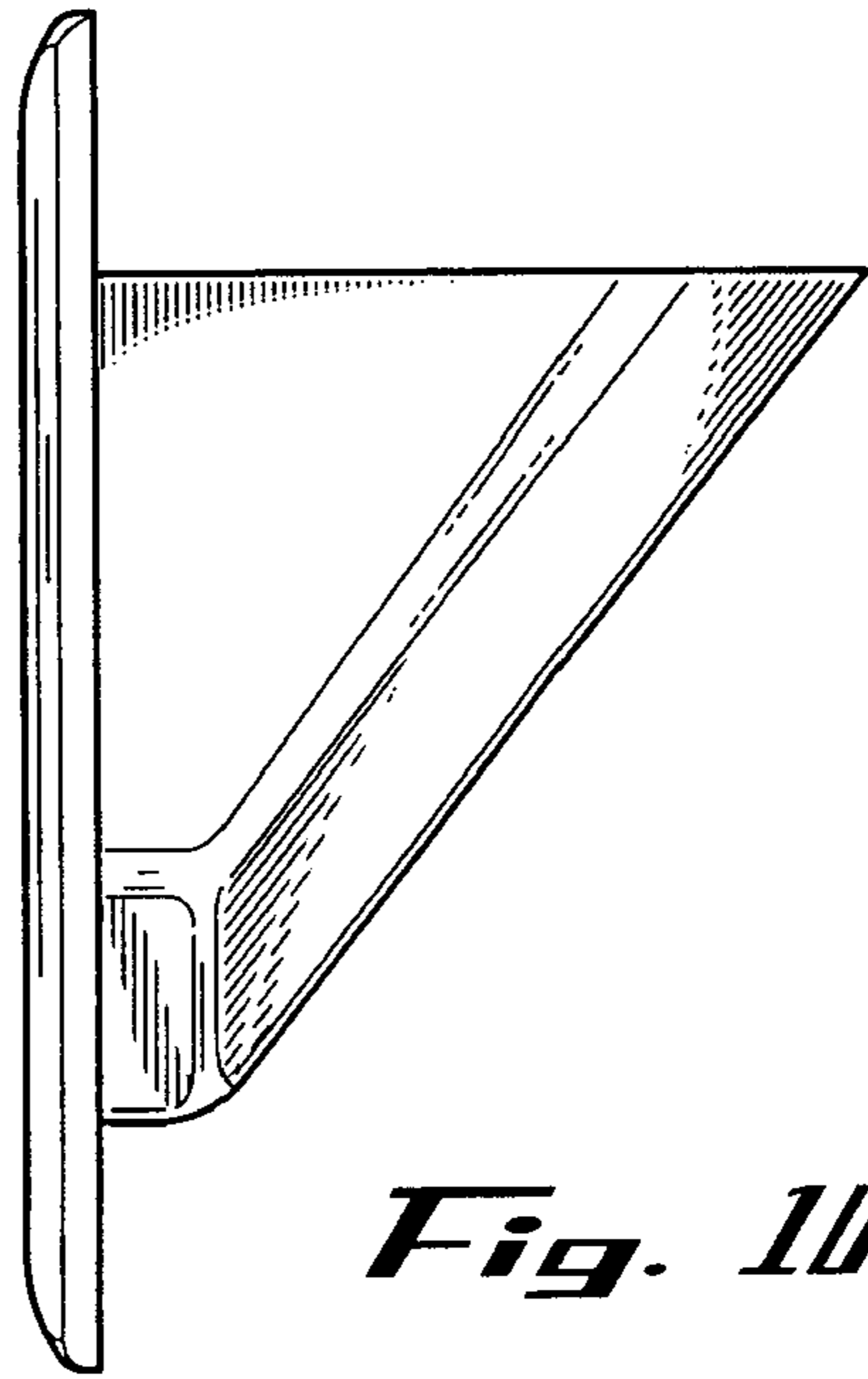


Fig. 10

Fig. 11

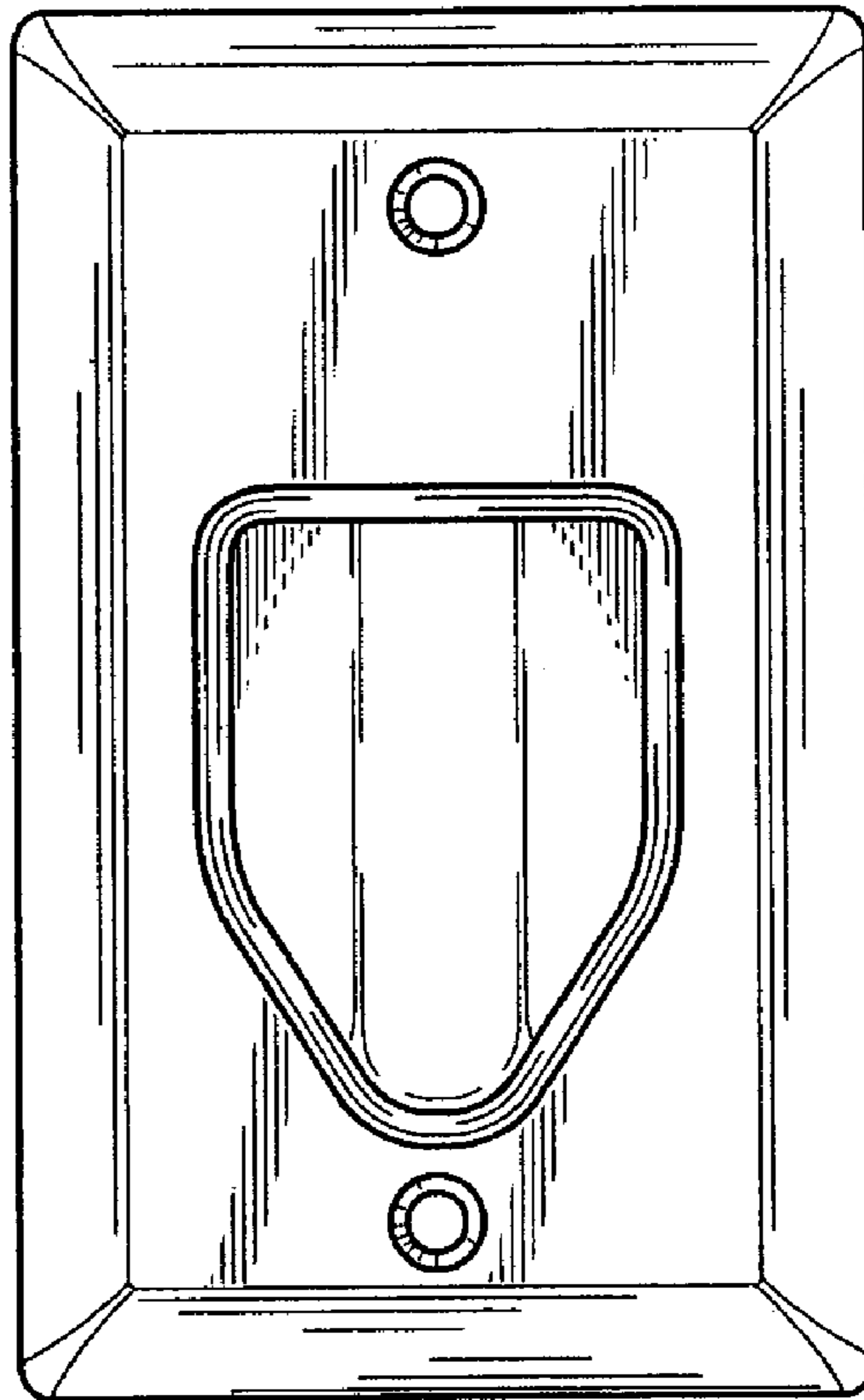
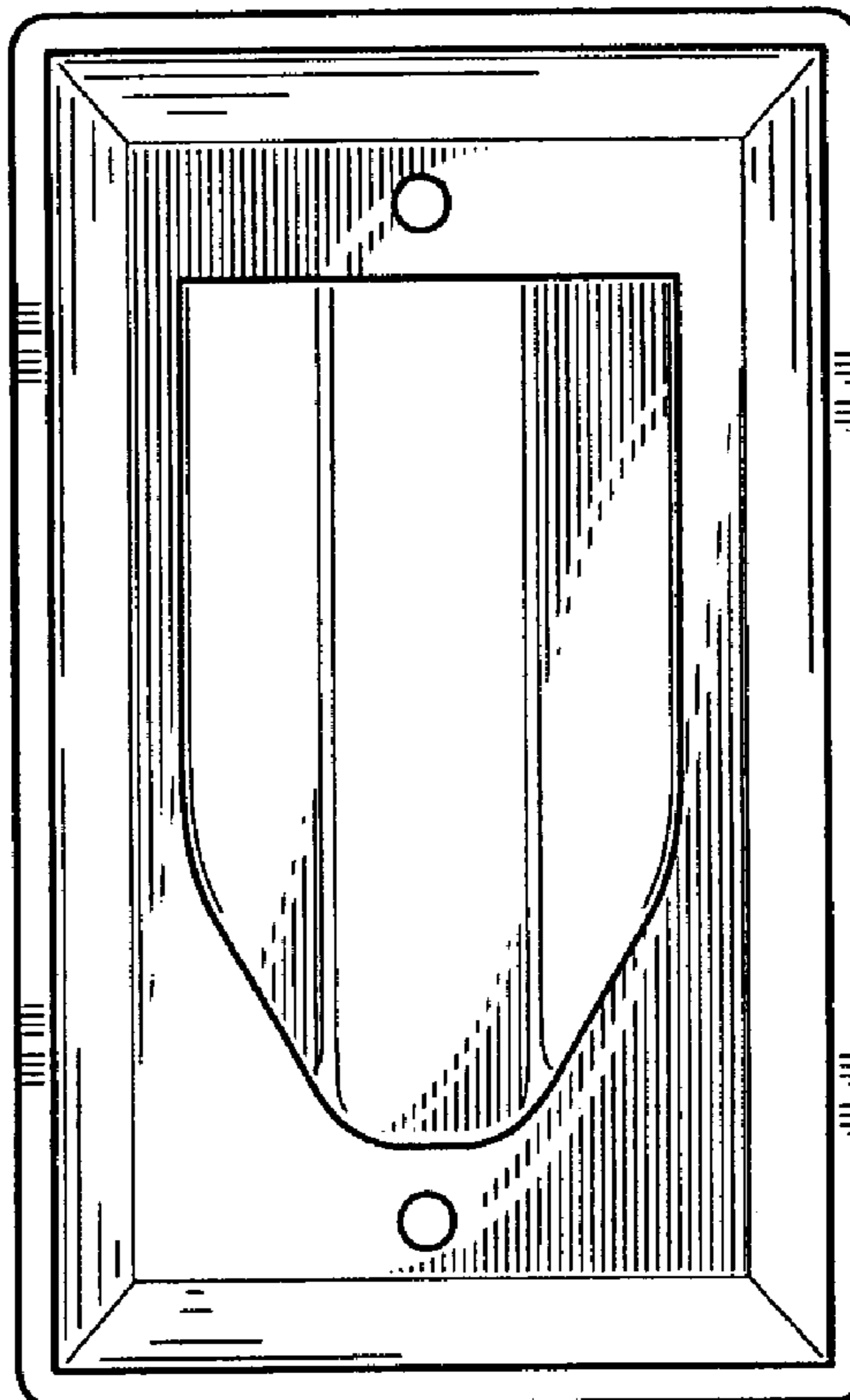


Fig. 12



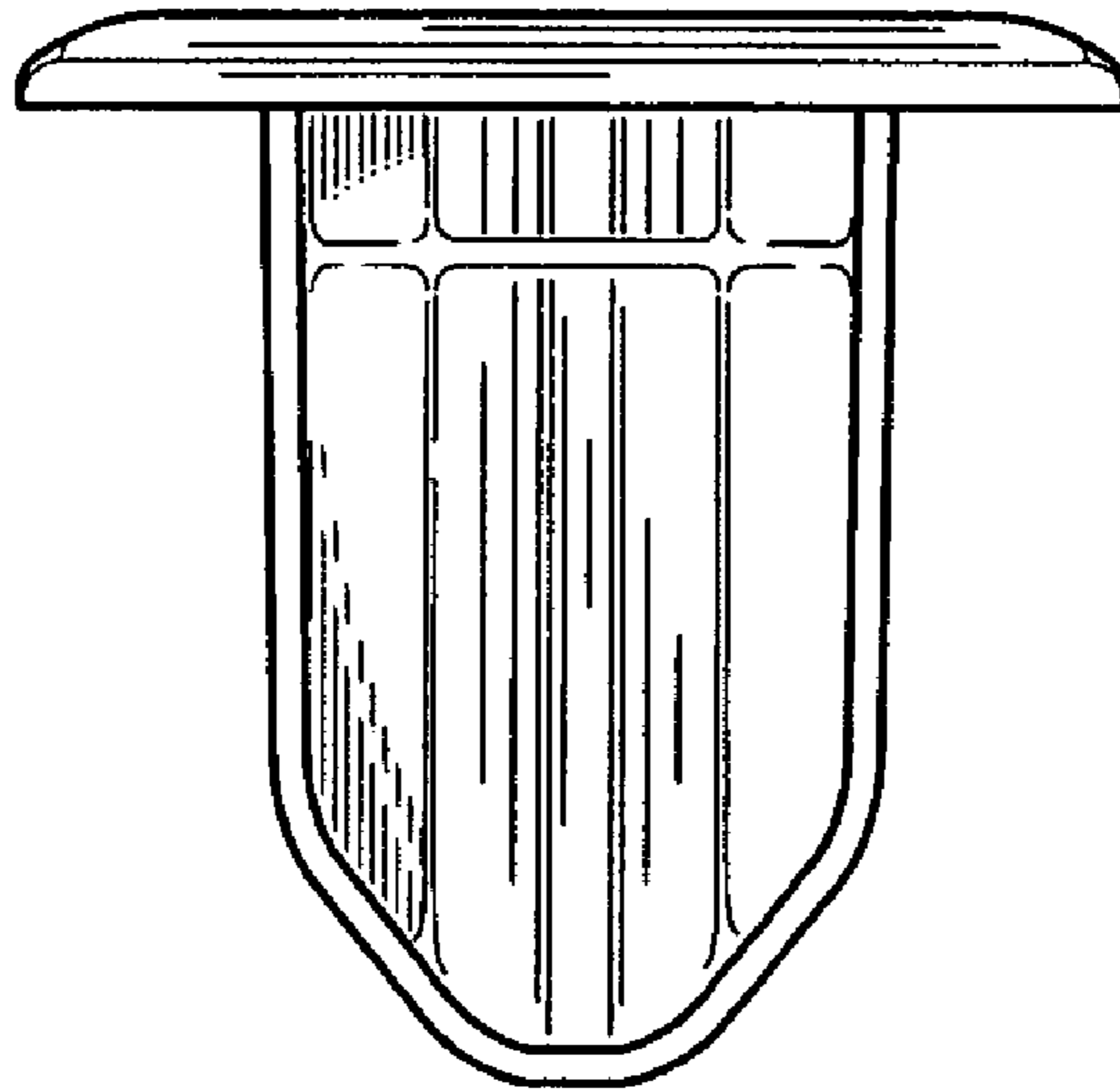


Fig. 13

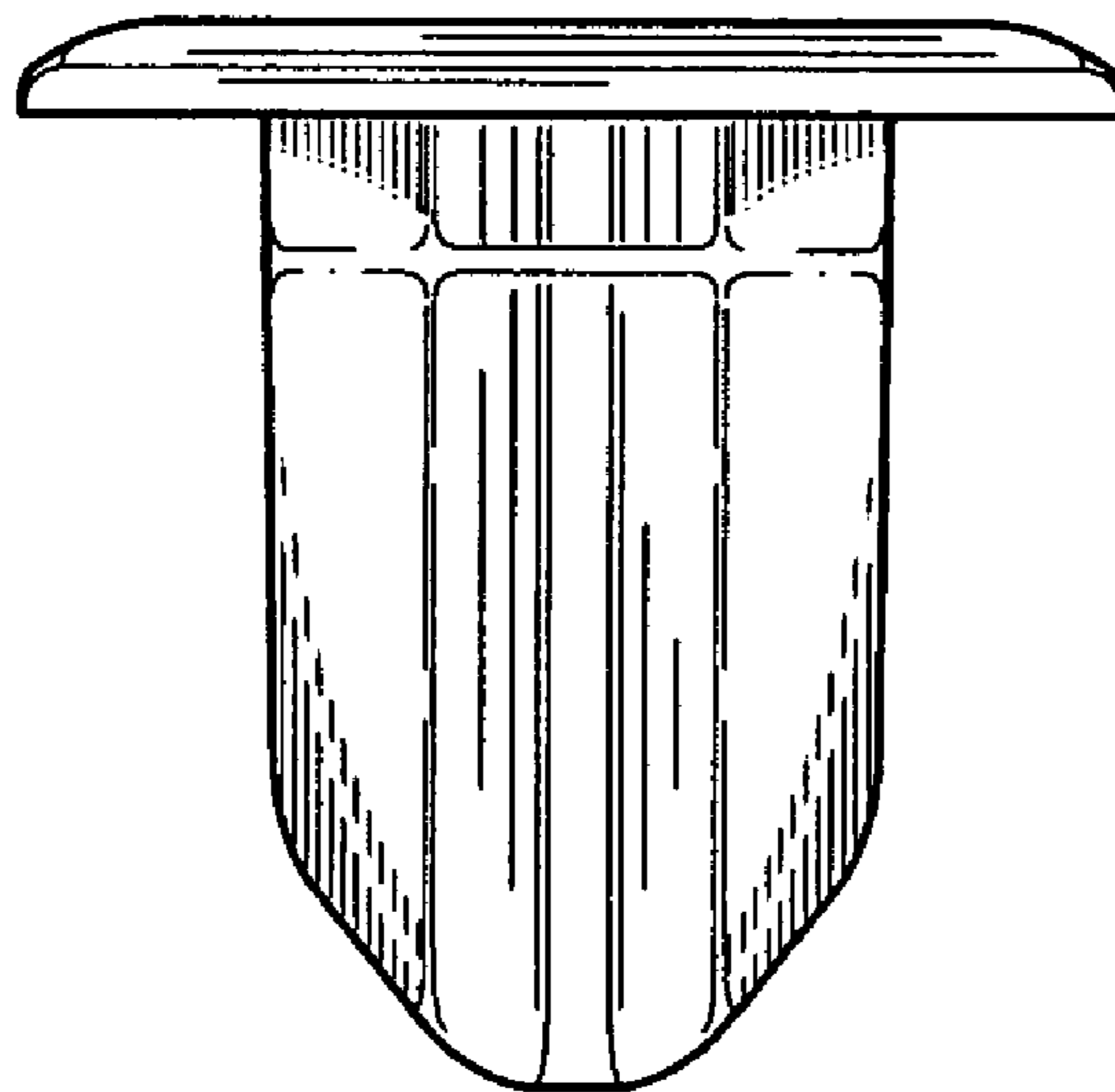


Fig. 14