



US00D553474S

(12) **United States Design Patent**
Mastrogiovanni

(10) **Patent No.:** **US D553,474 S**

(45) **Date of Patent:** **** Oct. 23, 2007**

(54) **CHAIN DOOR LOCK**

(76) Inventor: **Marco Mastrogiovanni**, 37 Mead Farm Rd., Seymour, CT (US) 06483

(**) Term: **14 Years**

(21) Appl. No.: **29/259,084**

(22) Filed: **May 2, 2006**

(51) **LOC (8) Cl.** **08-07**

(52) **U.S. Cl.** **D8/341**

(58) **Field of Classification Search** D8/330-348;
292/264, 284, 292; 70/89, 93, 129
See application file for complete search history.

(56) **References Cited**

U.S. PATENT DOCUMENTS

3,275,364 A	9/1966	Quinn	292/264
D210,157 S	2/1968	Gilbert	D8/332
D217,423 S	5/1970	Thompson	D8/330
D226,515 S	3/1973	Bobrowski	D8/340
D229,163 S	11/1973	Bobrowski	D8/340
D229,944 S	1/1974	Bobrowski	D14/253
3,788,107 A	1/1974	Lippman	70/93
D233,976 S	12/1974	Ridgway	D8/341
4,105,231 A	8/1978	Huyssen	292/264
4,136,898 A	1/1979	Guenther	292/57
4,363,227 A	12/1982	Lo	70/144
D286,133 S	10/1986	Dryburgh et al.	D8/341

4,648,641 A	3/1987	Foster	292/264
D320,338 S	10/1991	Mastrogiovanni	D8/331
5,285,666 A	2/1994	Bartnicki	70/93
5,551,739 A	9/1996	Solis	292/264
D511,958 S	11/2005	Mastrogiovanni	D8/331

Primary Examiner—Mitchell Siegel
(74) *Attorney, Agent, or Firm*—The Patent Source

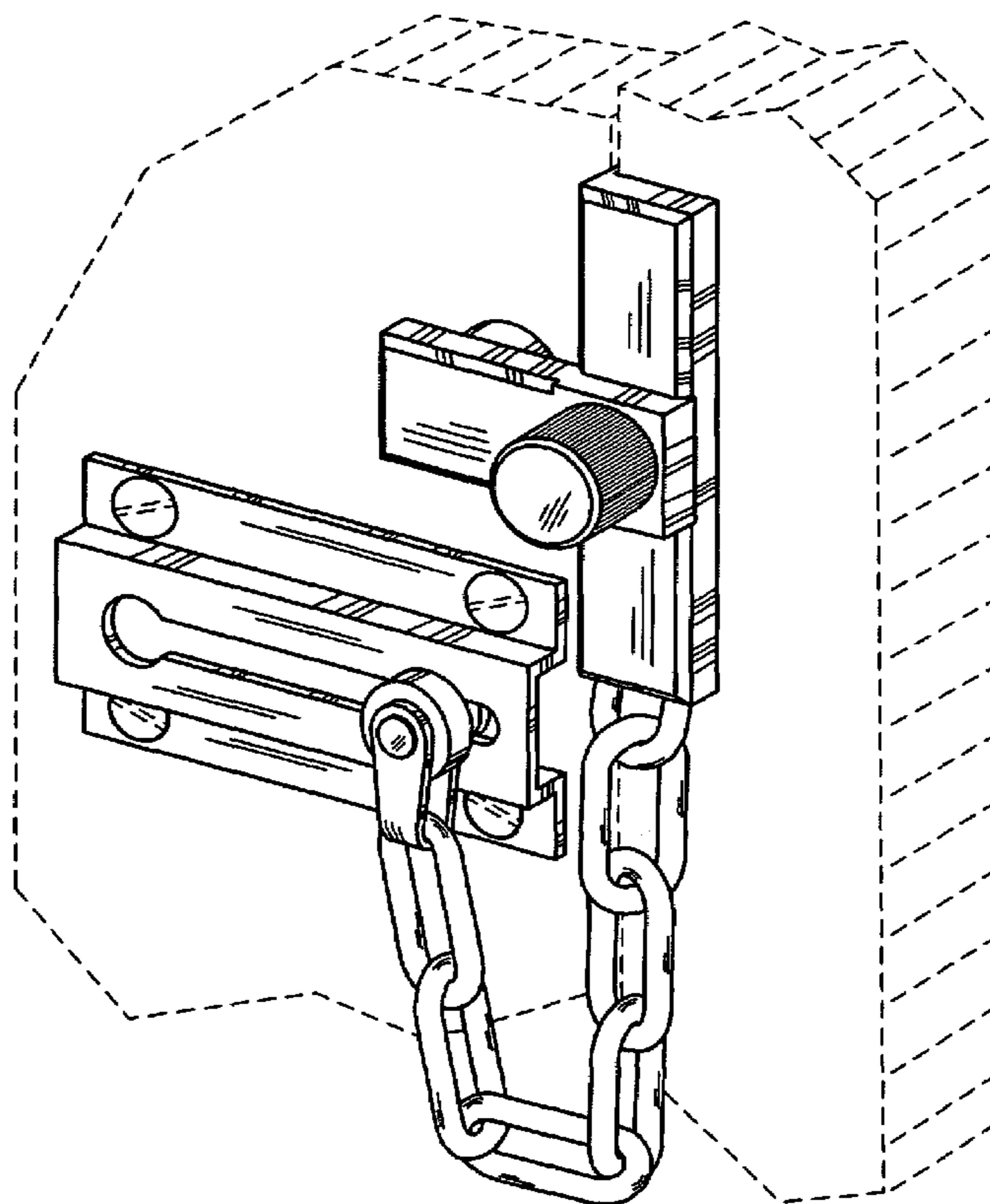
(57) **CLAIM**

The ornamental design for a chain door lock, as shown and described.

DESCRIPTION

FIG. 1 is a perspective view of a chain door lock showing my new design in an unlatched condition;
FIG. 2 is a left side elevational view thereof;
FIG. 3 is a right side elevational view thereof;
FIG. 4 is a bottom plan view thereof;
FIG. 5 is a top plan view thereof;
FIG. 6 is a front elevational view thereof;
FIG. 7 is a rear elevational view thereof; and,
FIG. 8 is a perspective view of the chain door lock of FIGS. 1-7 shown in a latched condition, the broken-line showing a fragment of a door and frame being for illustrative purposes only and forming no part of the claimed design.

1 Claim, 8 Drawing Sheets



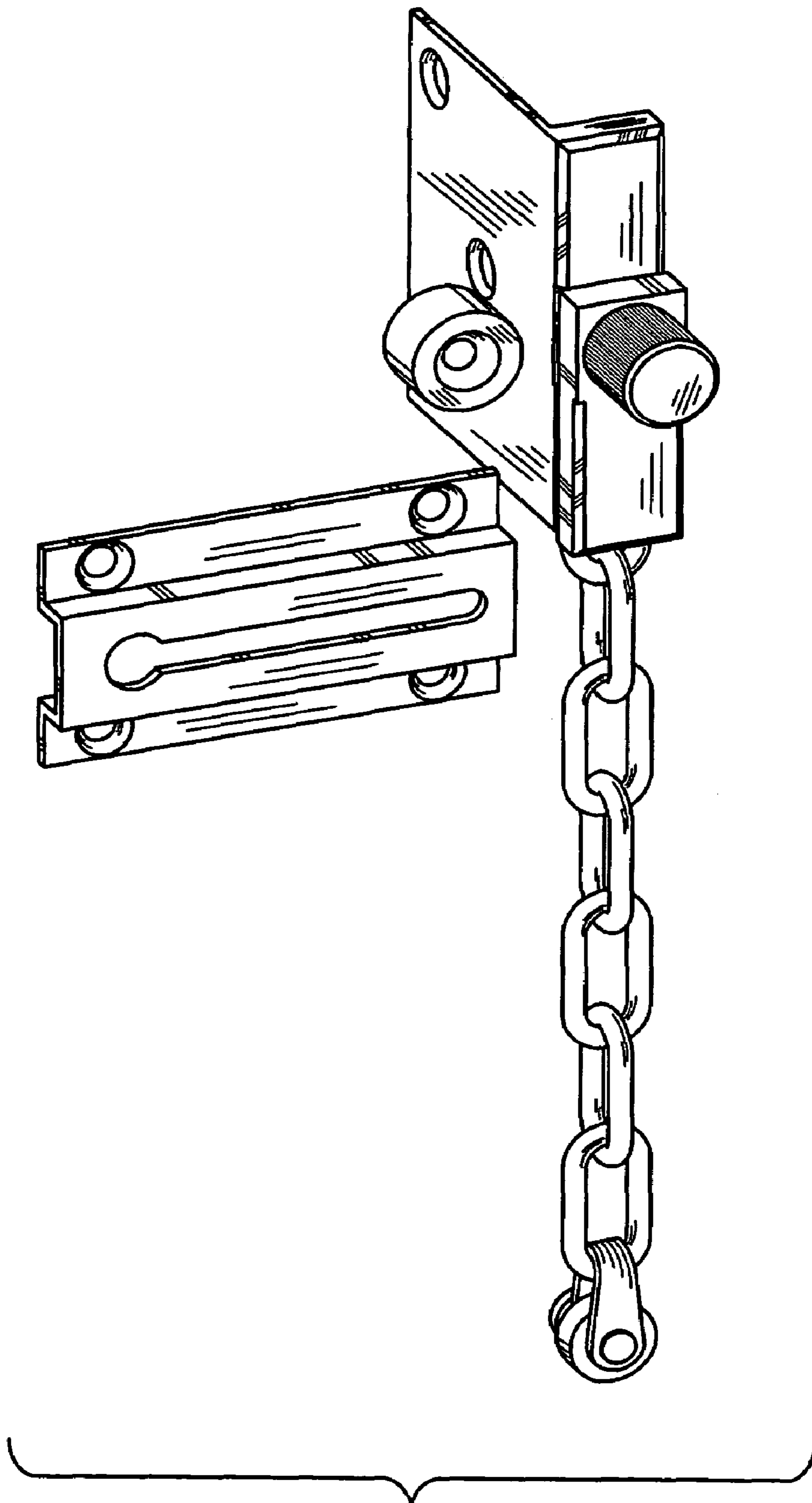


Figure 1

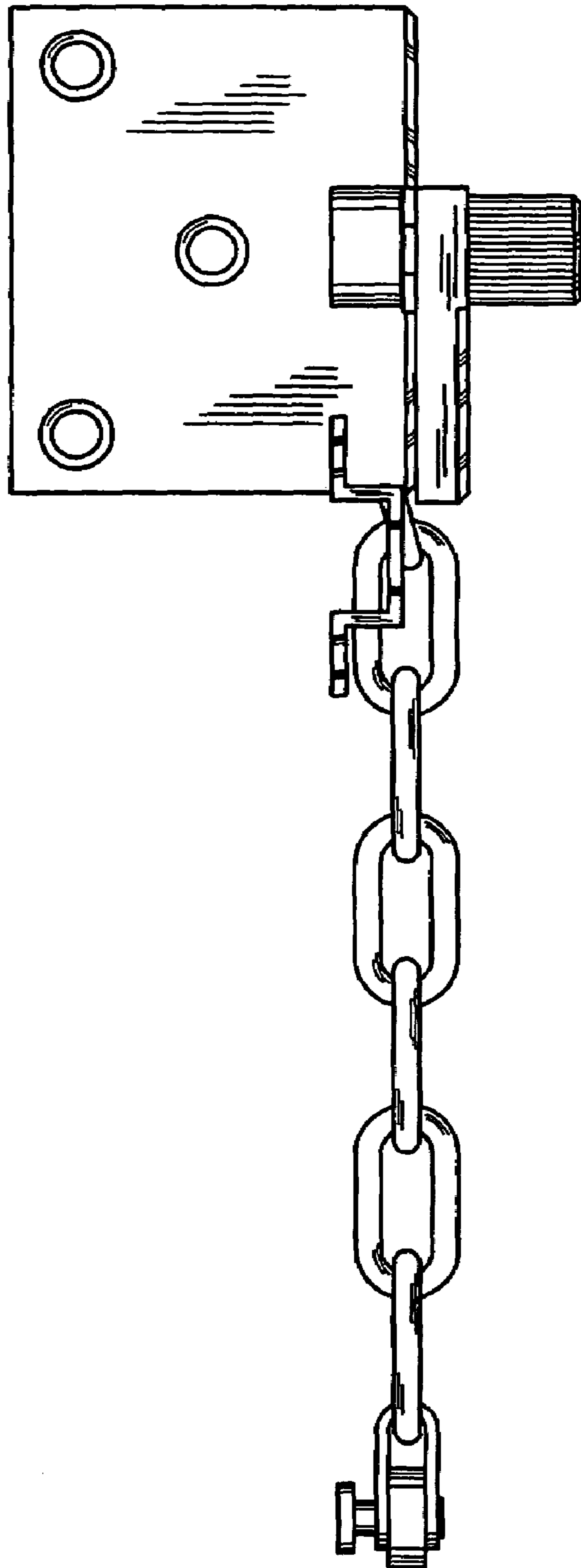


Figure 2

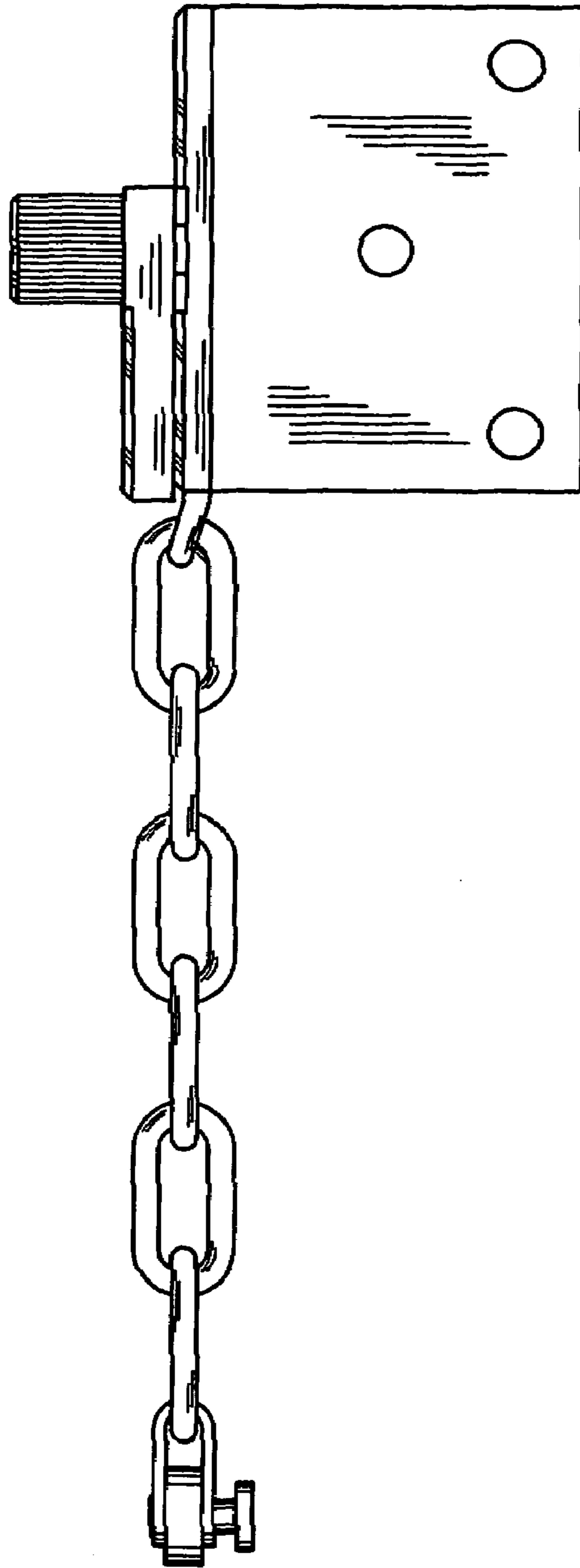


Figure 3

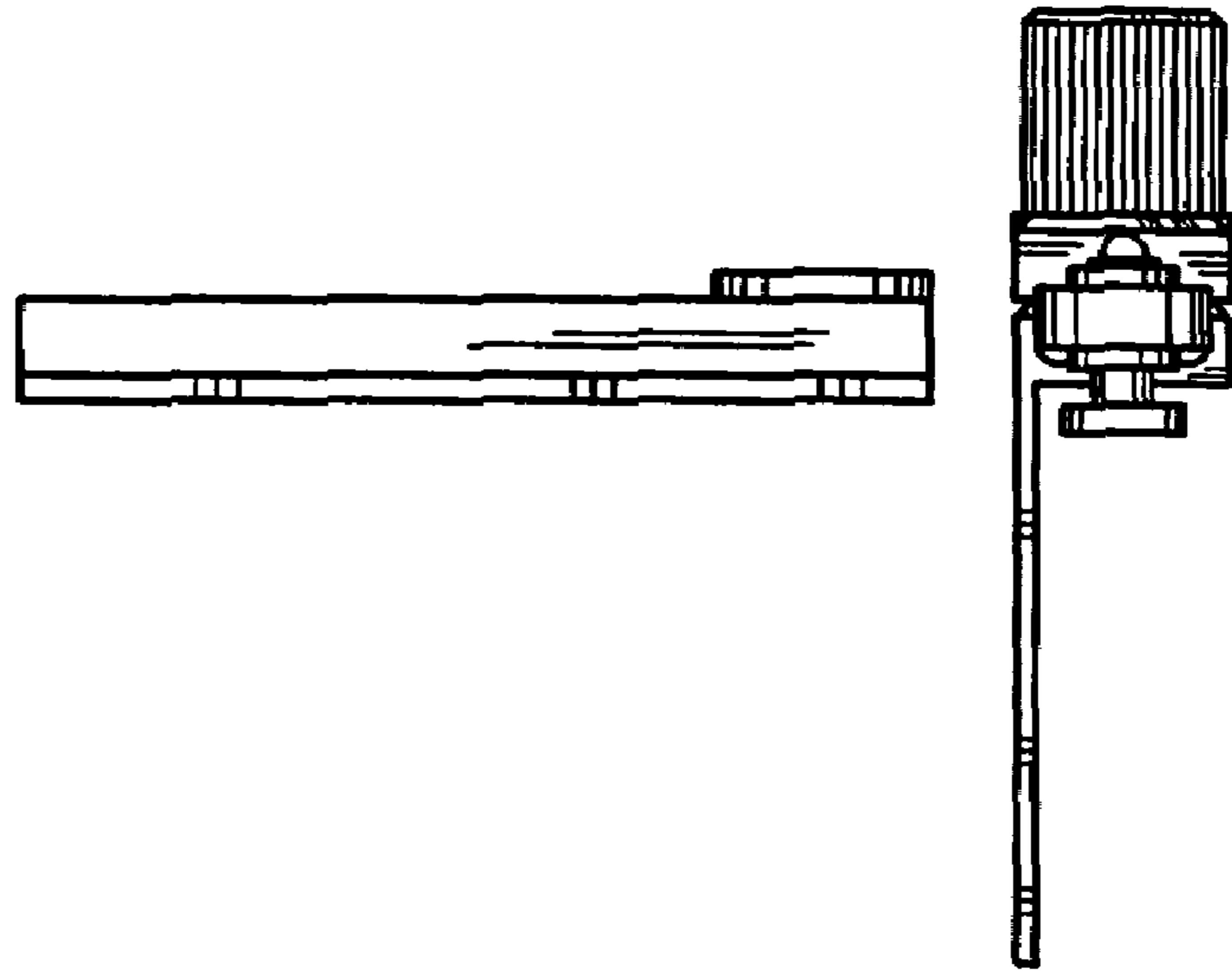


Figure 4

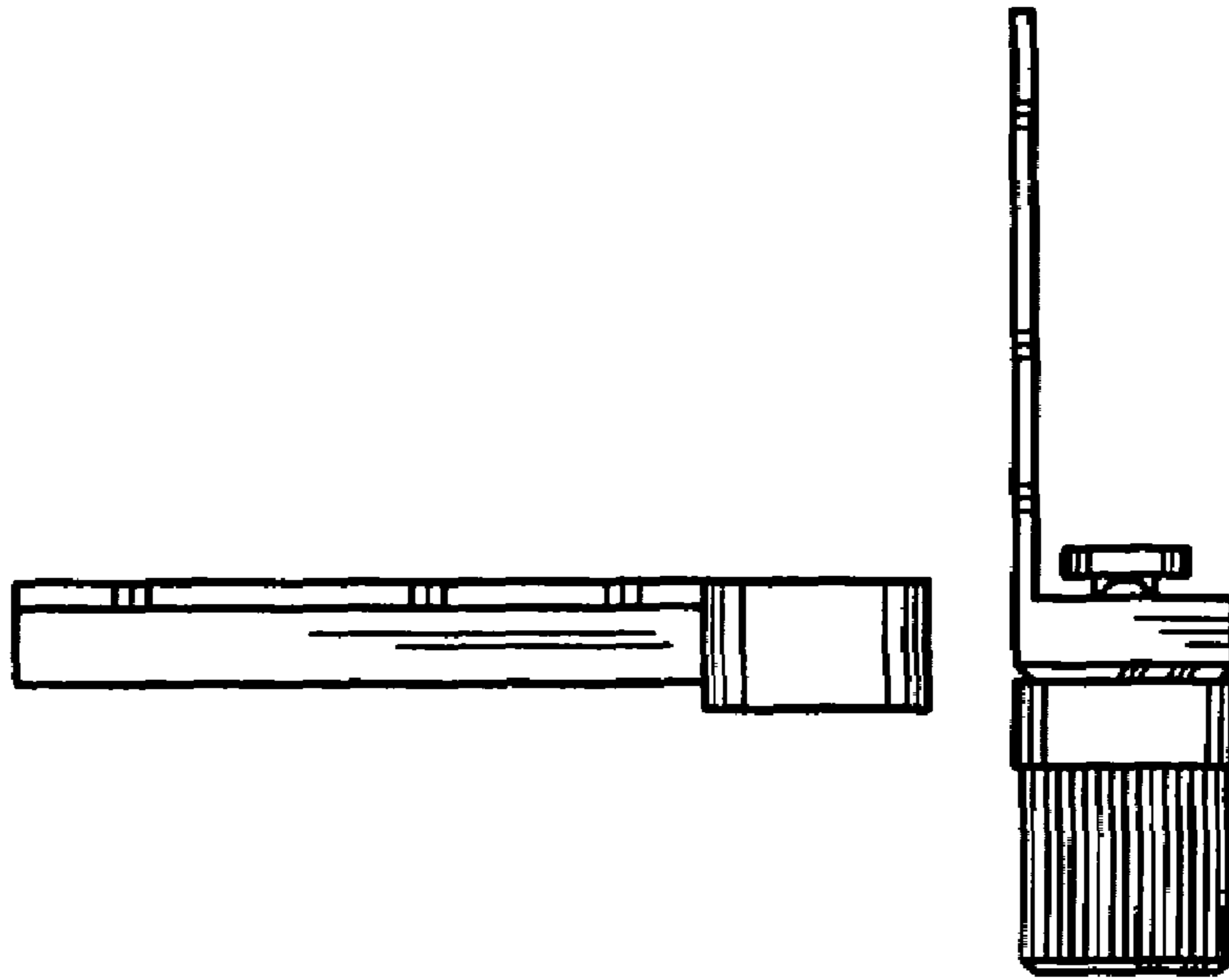


Figure 5

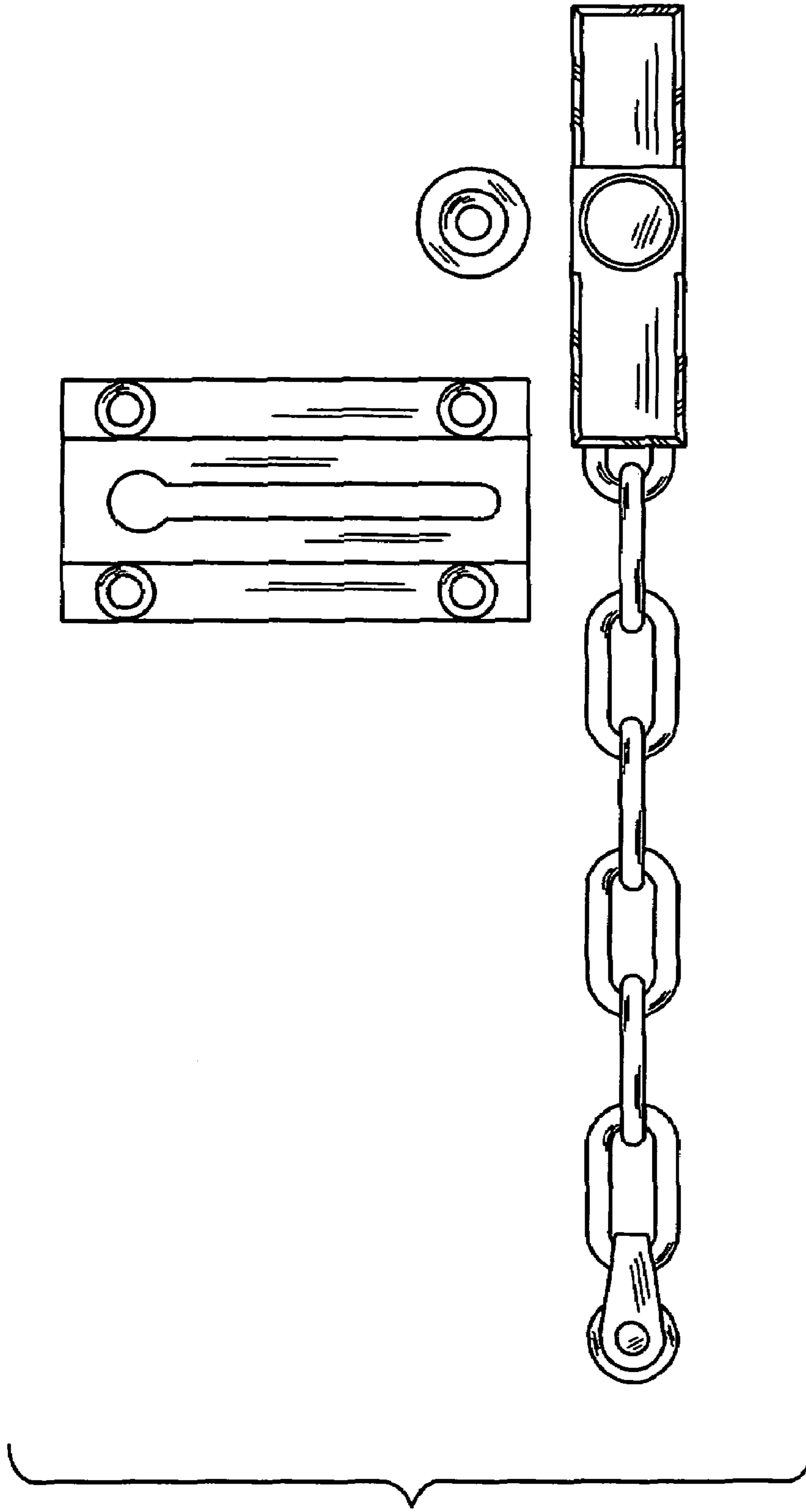


Figure 6

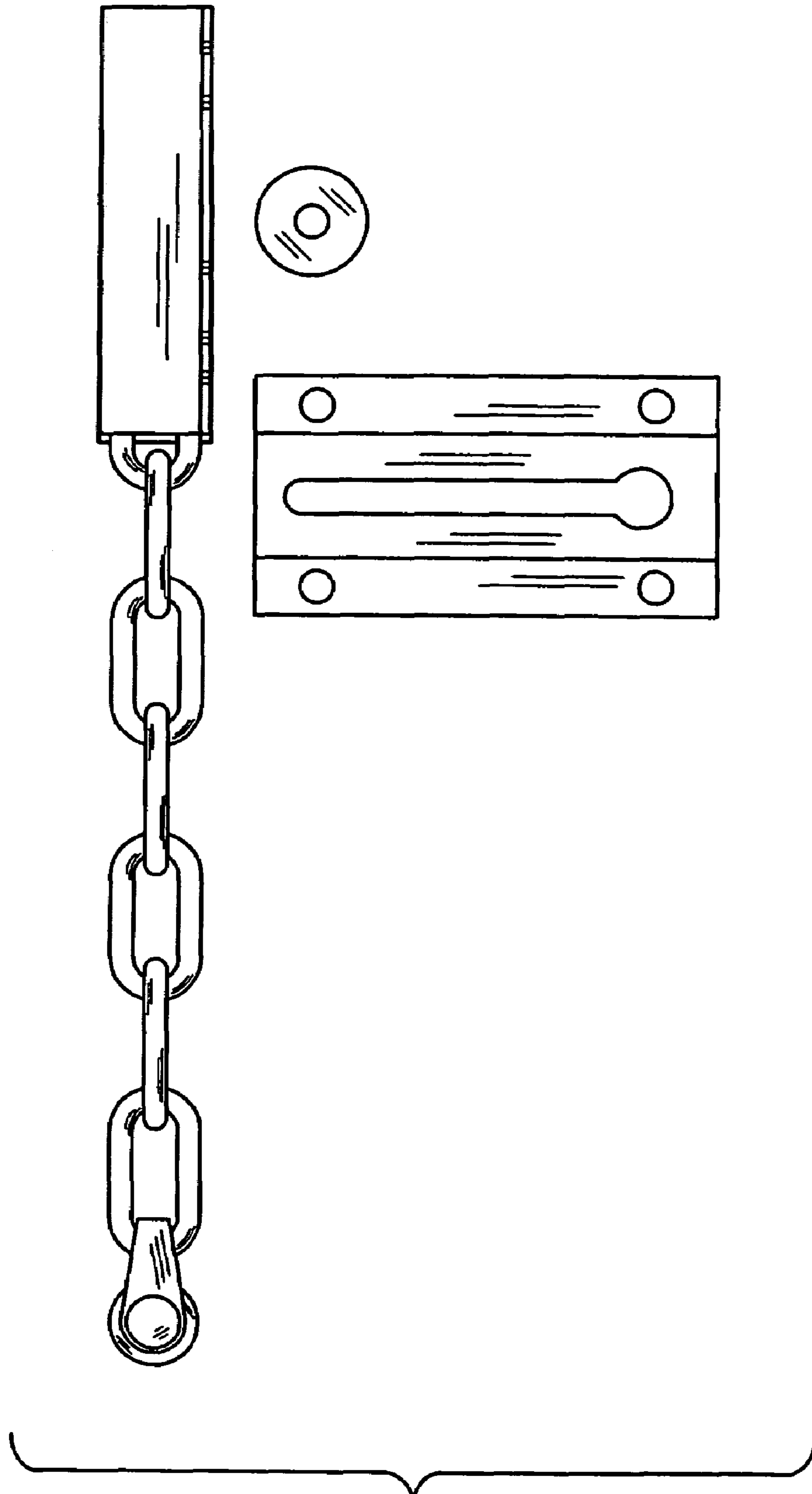


Figure 7

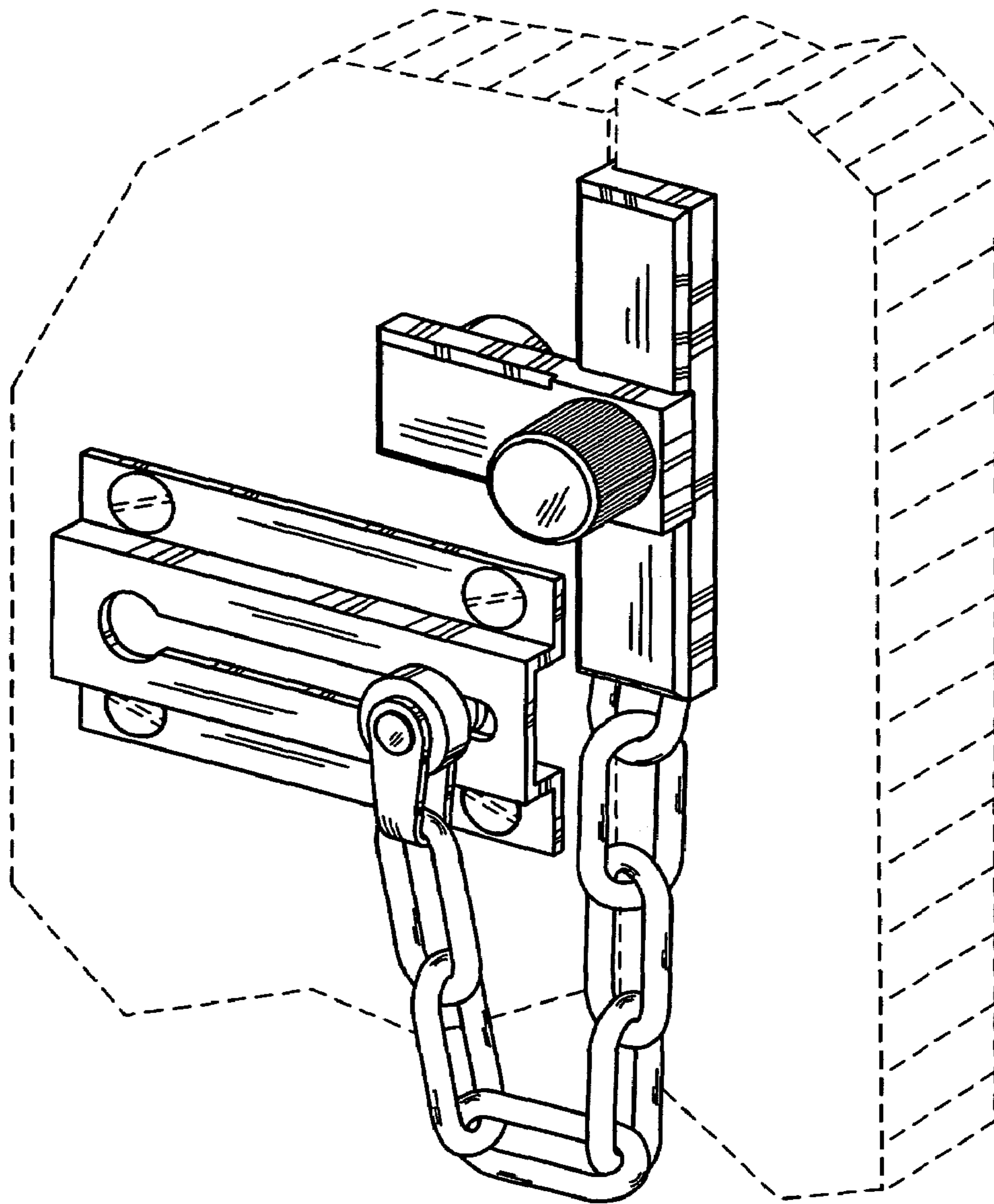


Figure 8