



US00D553473S

(12) **United States Design Patent**
Neri et al.

(10) **Patent No.:** **US D553,473 S**

(45) **Date of Patent:** **** Oct. 23, 2007**

(54) **CLOSING DEVICE FOR CHAINS**

D449,416 S * 10/2001 Horie et al. D8/499
D500,663 S * 1/2005 Hesketh D8/343

(75) Inventors: **Marco Arrigoni Neri**, Ballabio (IT);
Luigi Farina, Dolzago (IT)

* cited by examiner

(73) Assignee: **Thule S.p.A.**, Molteno (Lecco) (IT)

Primary Examiner—Mitchell Siegel

(**) Term: **14 Years**

(74) *Attorney, Agent, or Firm*—Nixon & Vanderhye, P.C.

(21) Appl. No.: **29/262,262**

(57) **CLAIM**

(22) Filed: **Jun. 29, 2006**

The ornamental design for a “closing device for chains,” as shown and described.

(30) **Foreign Application Priority Data**

DESCRIPTION

Jan. 3, 2006 (EM) 000458856

(51) **LOC (8) Cl.** **08-07**

(52) **U.S. Cl.** **D8/339**

(58) **Field of Classification Search** D8/330–348,
D8/499; 474/8; 292/264; 59/84, 78, 78.1
See application file for complete search history.

FIG. 1 is a front elevational view of the design, the rear elevational view being the same;

FIG. 2 is a top plan view of the design;

FIG. 3 is a bottom plan view of the design;

FIG. 4 is a side elevational view of the design taken from the left of FIG. 1, the side elevational view taken from the right of FIG. 1 being the same;

FIG. 5 is a perspective view of the design;

FIG. 6 is a front elevational view of the design, with the two elements thereof being spaced apart; and,

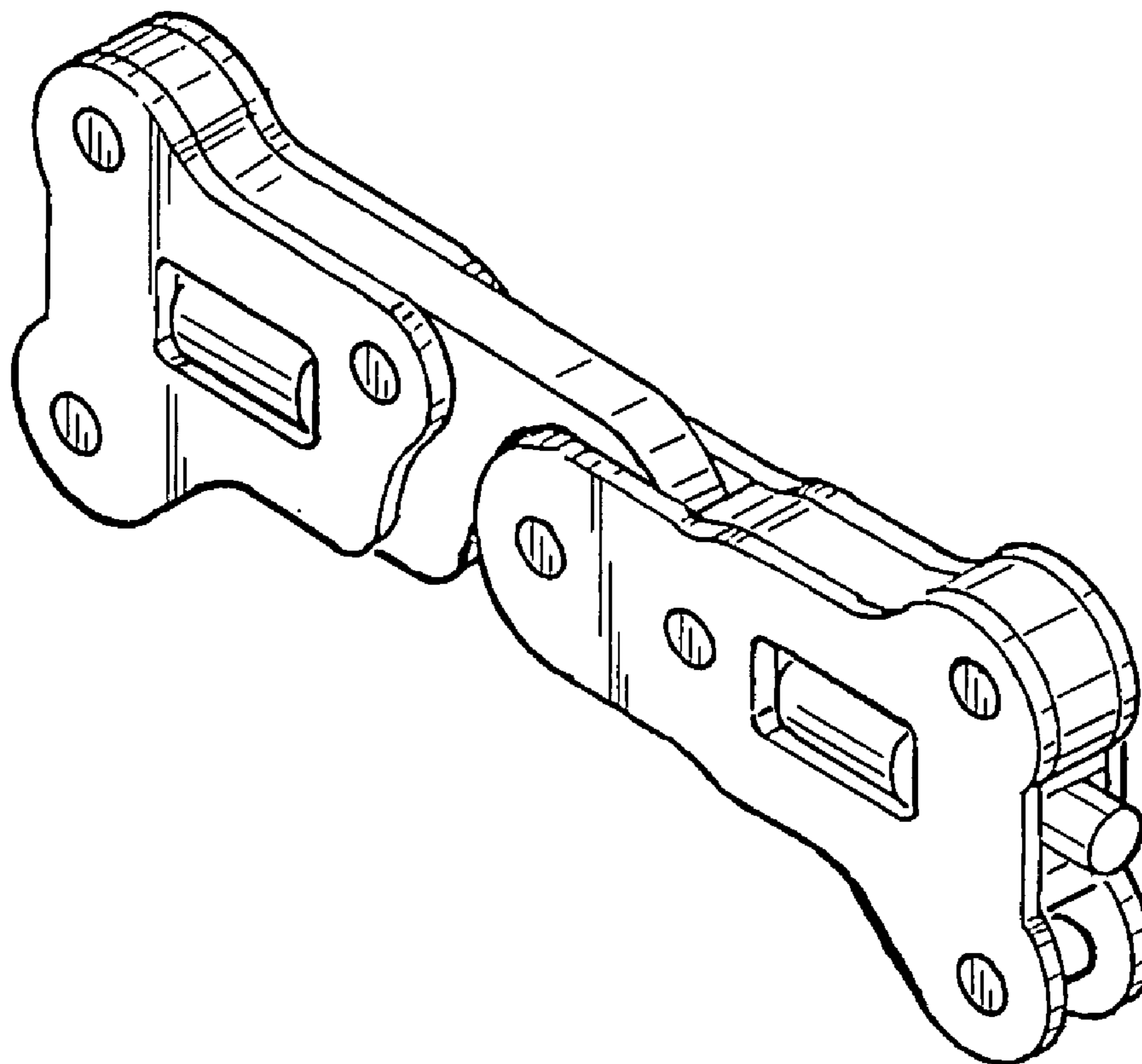
FIG. 7 is a perspective view of the design, with the two elements thereof being spaced apart.

(56) **References Cited**

U.S. PATENT DOCUMENTS

3,049,933 A * 8/1962 Besel 474/8
4,105,231 A * 8/1978 Huyssen 292/264
D280,288 S * 8/1985 Lickton D8/499
4,747,261 A * 5/1988 Frenker-Hackfort 59/84
4,941,316 A * 7/1990 Bechtold 59/78
5,249,415 A * 10/1993 Frenker-Hackfort 59/78.1

1 Claim, 2 Drawing Sheets



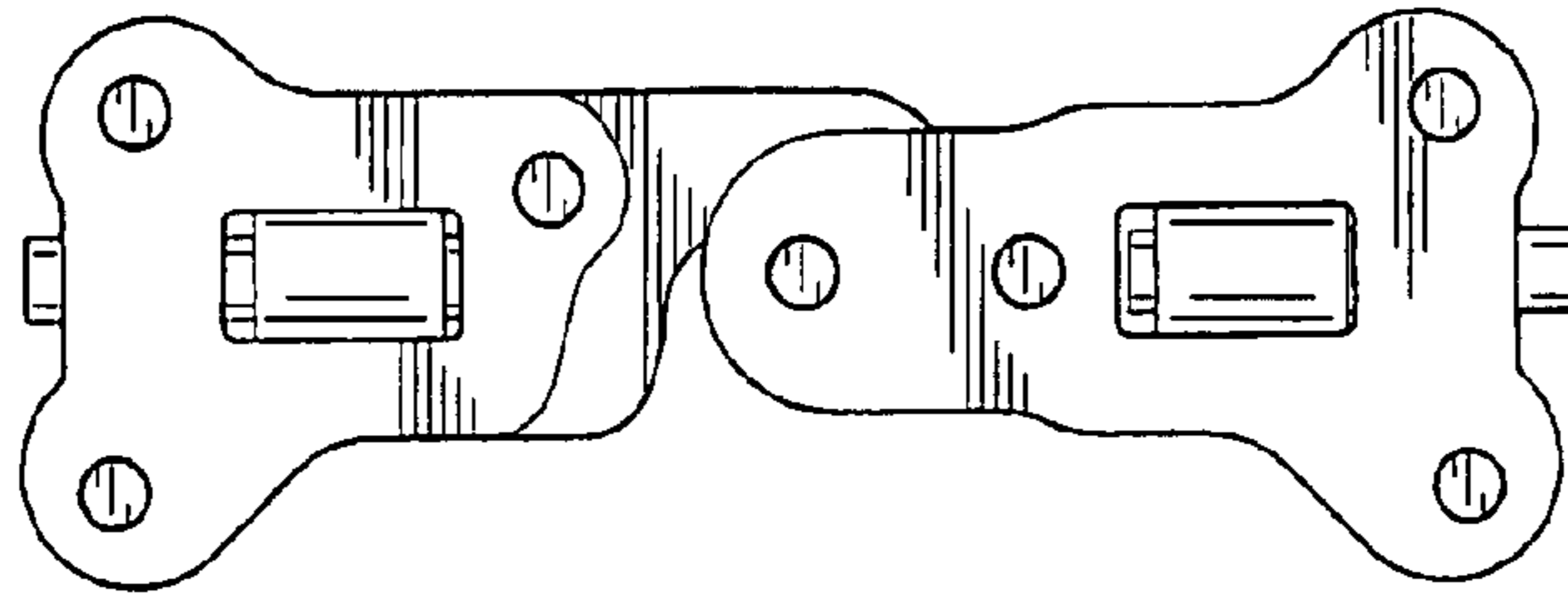


FIG. 1

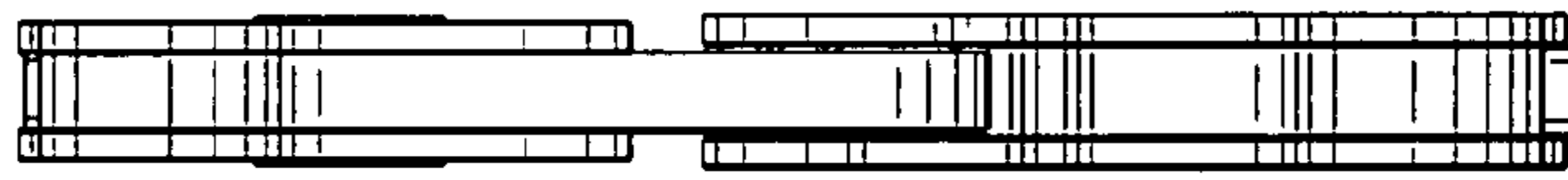


FIG. 2

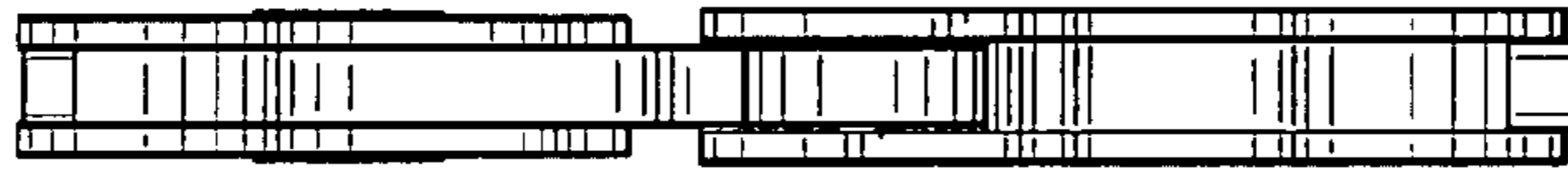


FIG. 3

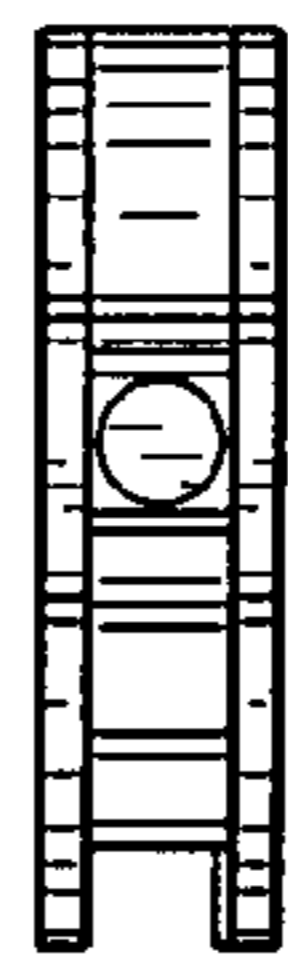


FIG. 4

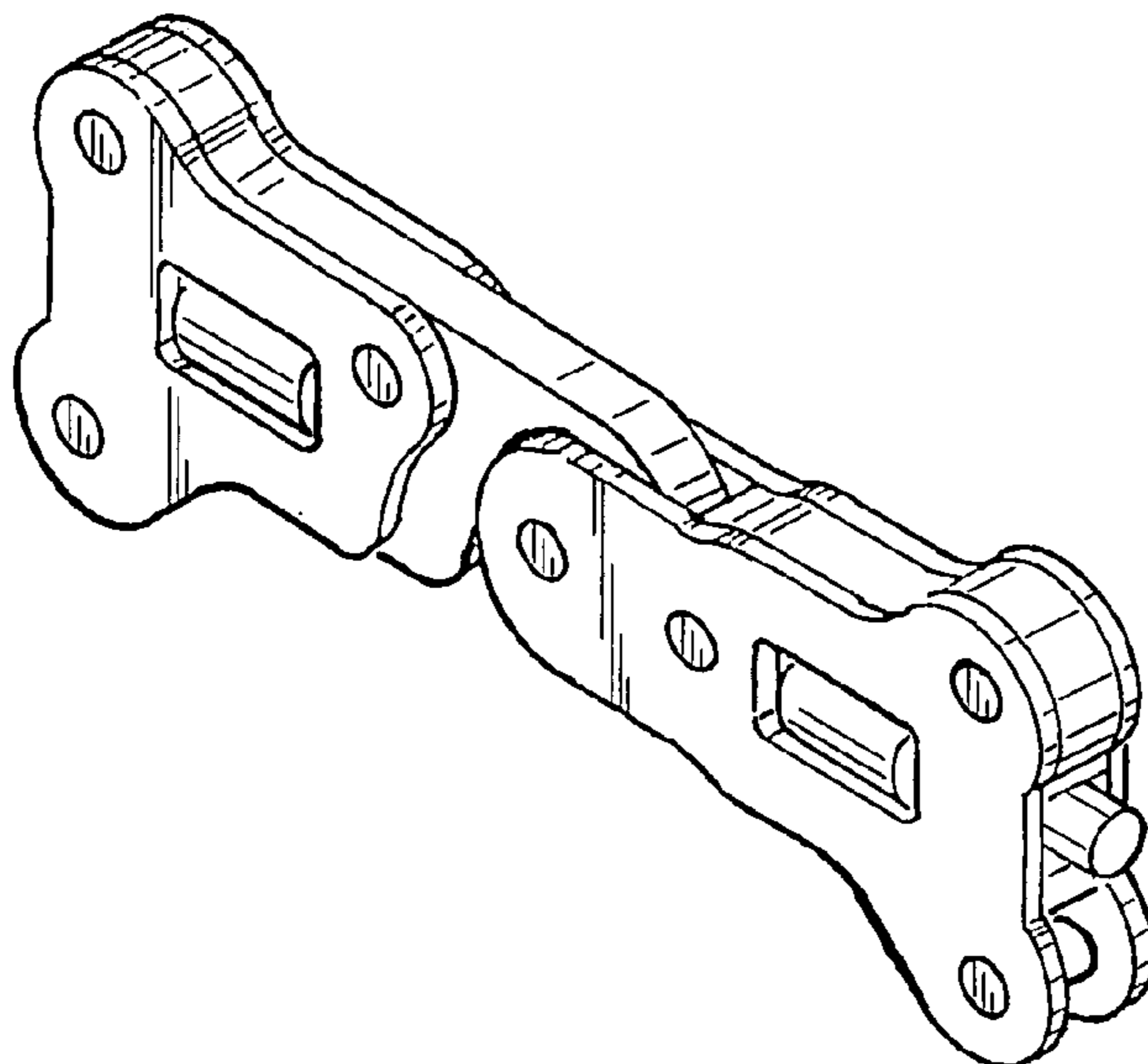


FIG. 5

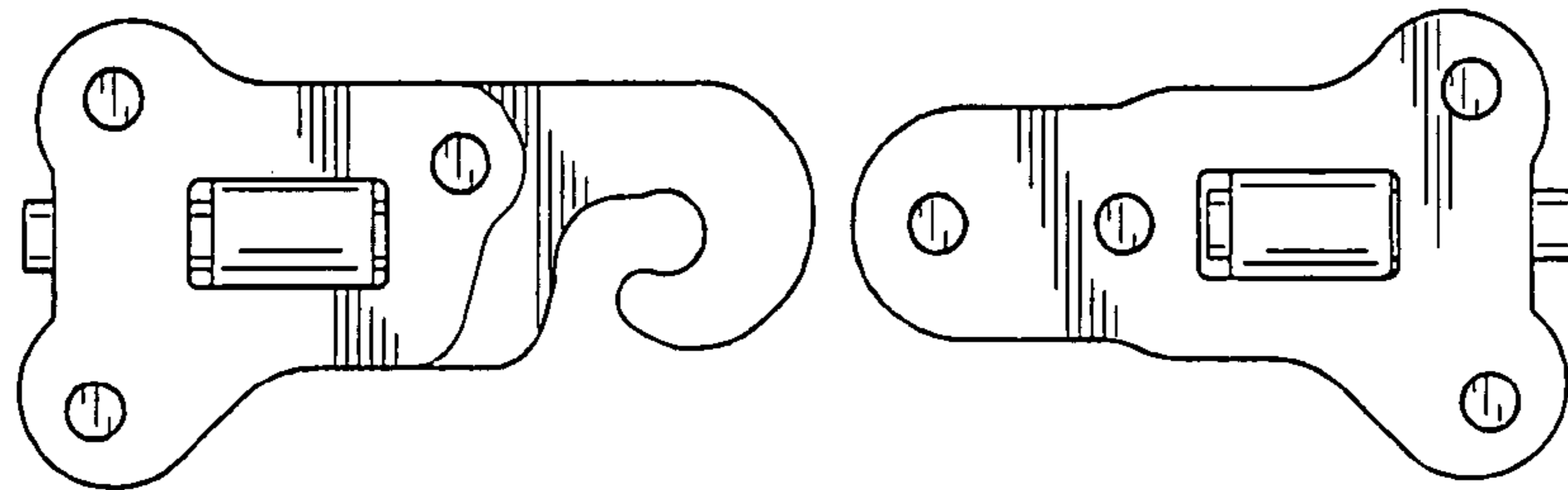


FIG. 6

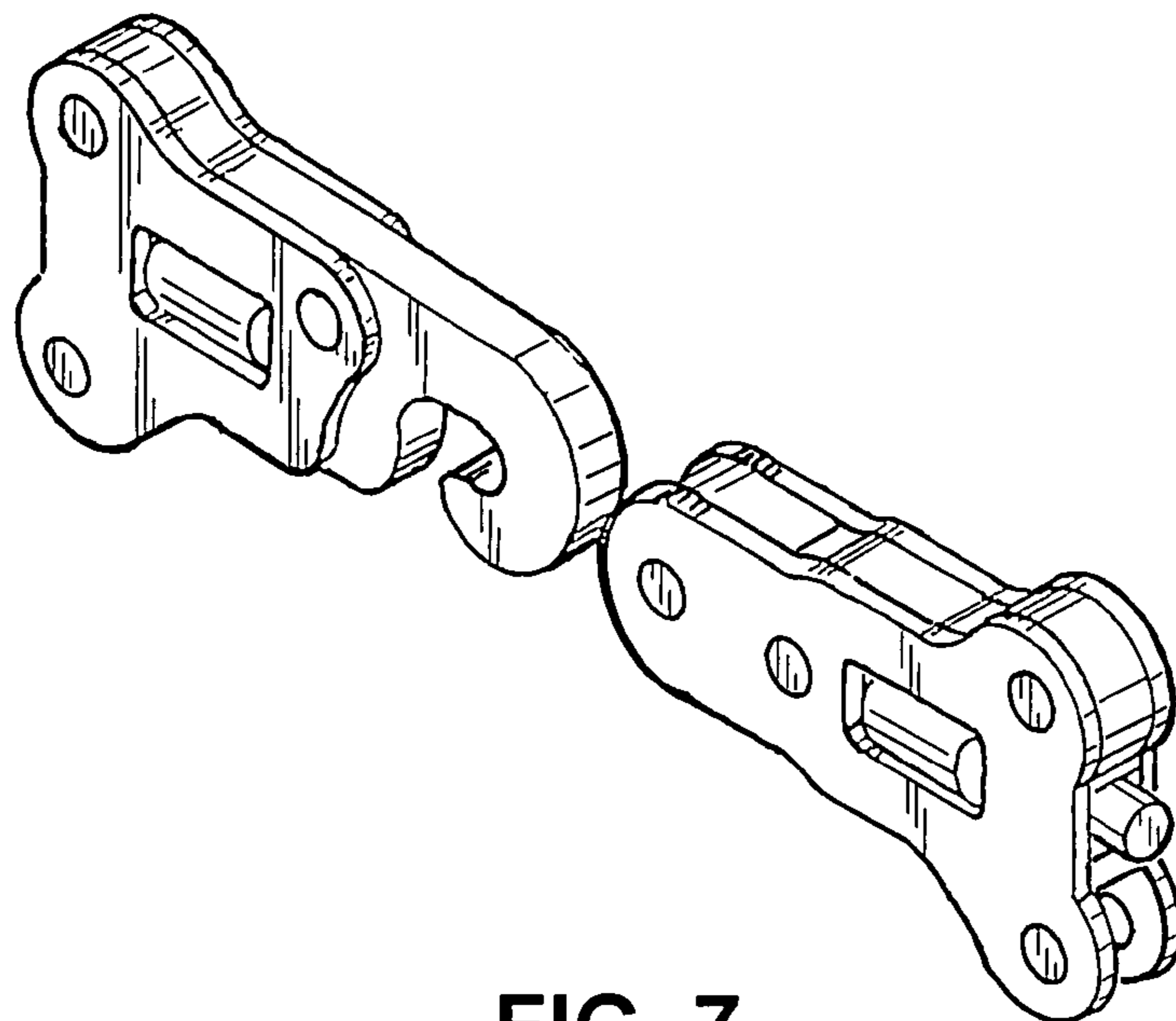


FIG. 7