



US00D553472S

(12) **United States Design Patent** (10) **Patent No.:** **US D553,472 S**
Misner (45) **Date of Patent:** **** Oct. 23, 2007**

(54) **PORTIONS OF A DUAL-ACTION LATCH ASSEMBLY**
(75) Inventor: **Michael O. Misner**, Lake Villa, IL (US)
(73) Assignee: **The Eastern Company**, Wheeling, IL (US)
(**) Term: **14 Years**
(21) Appl. No.: **29/258,512**
(22) Filed: **Apr. 22, 2006**
(51) **LOC (8) Cl.** **08-07**
(52) **U.S. Cl.** **D8/331**
(58) **Field of Classification Search** D8/330-348;
70/77, 78, 91, 120, 368; 292/2, 137, 164,
292/177, 170, 168

See application file for complete search history.

(56) **References Cited**

U.S. PATENT DOCUMENTS

406,903 A	7/1889	Hebert	292/34
441,674 A	12/1890	Kubler	70/82
713,245 A	11/1902	Roche	70/370
745,664 A	12/1903	Reiger	70/70
789,775 A	5/1905	Ward	70/106
1,143,653 A	6/1915	Smith	70/97
1,366,706 A	1/1921	Schoell	70/103
1,410,581 A	3/1922	Langer	70/106
1,510,561 A	10/1924	Segal	70/103
1,512,141 A	10/1924	Segal	70/106
1,520,976 A	12/1924	Stern	70/103
1,533,629 A	4/1925	Best	70/82
1,563,914 A	12/1925	Muzzio	70/123
1,564,883 A	12/1925	Muzzio	70/365
1,601,359 A	9/1926	Harrington	70/100
1,977,853 A	10/1934	Kemp	70/74
2,173,671 A	9/1939	Webber	292/25
2,181,393 A	11/1939	Crooks	292/25
2,224,671 A	10/1940	Crooks	70/151
2,720,774 A	10/1955	Gehrie	70/71
2,887,865 A	5/1959	Moler	70/149
2,943,878 A	7/1960	Rigaud	292/44

3,177,022 A	4/1965	McKee et al.	292/50
3,532,373 A	10/1970	Poe	292/47
3,603,632 A	9/1971	Grass	292/224
3,857,594 A	12/1974	Pastva, Jr.	292/27
3,899,201 A	8/1975	Paiolletti	292/25
4,836,707 A	6/1989	Myers	403/322
5,171,048 A	12/1992	Weinerman et al.	292/45
5,192,096 A	3/1993	Weinerman et al.	292/45
5,193,861 A	3/1993	Juga et al.	292/49
5,209,530 A	5/1993	Kolloch	292/27
5,516,162 A	5/1996	Takaishi	292/37
5,791,171 A	8/1998	Kelley	70/58
D408,711 S *	4/1999	Bianco	D8/331
5,907,962 A	6/1999	Smithson et al.	70/58
D435,427 S *	12/2000	Sokurenko	D8/331
D436,833 S *	1/2001	Turner et al.	D8/331
6,474,118 B2	11/2002	Martinez	70/123
D532,674 S *	11/2006	Schwalie et al.	D8/331

* cited by examiner

Primary Examiner—Mitchell Siegel

(74) *Attorney, Agent, or Firm*—David A. Burge

(57) **CLAIM**

I claim the ornamental design for portions of a dual-action latch assembly, as shown and described.

DESCRIPTION

FIG. 1 is a perspective view showing my design;

FIG. 2 is another perspective view thereof;

FIG. 3 is a front elevational view thereof;

FIG. 4 is a rear elevational view thereof;

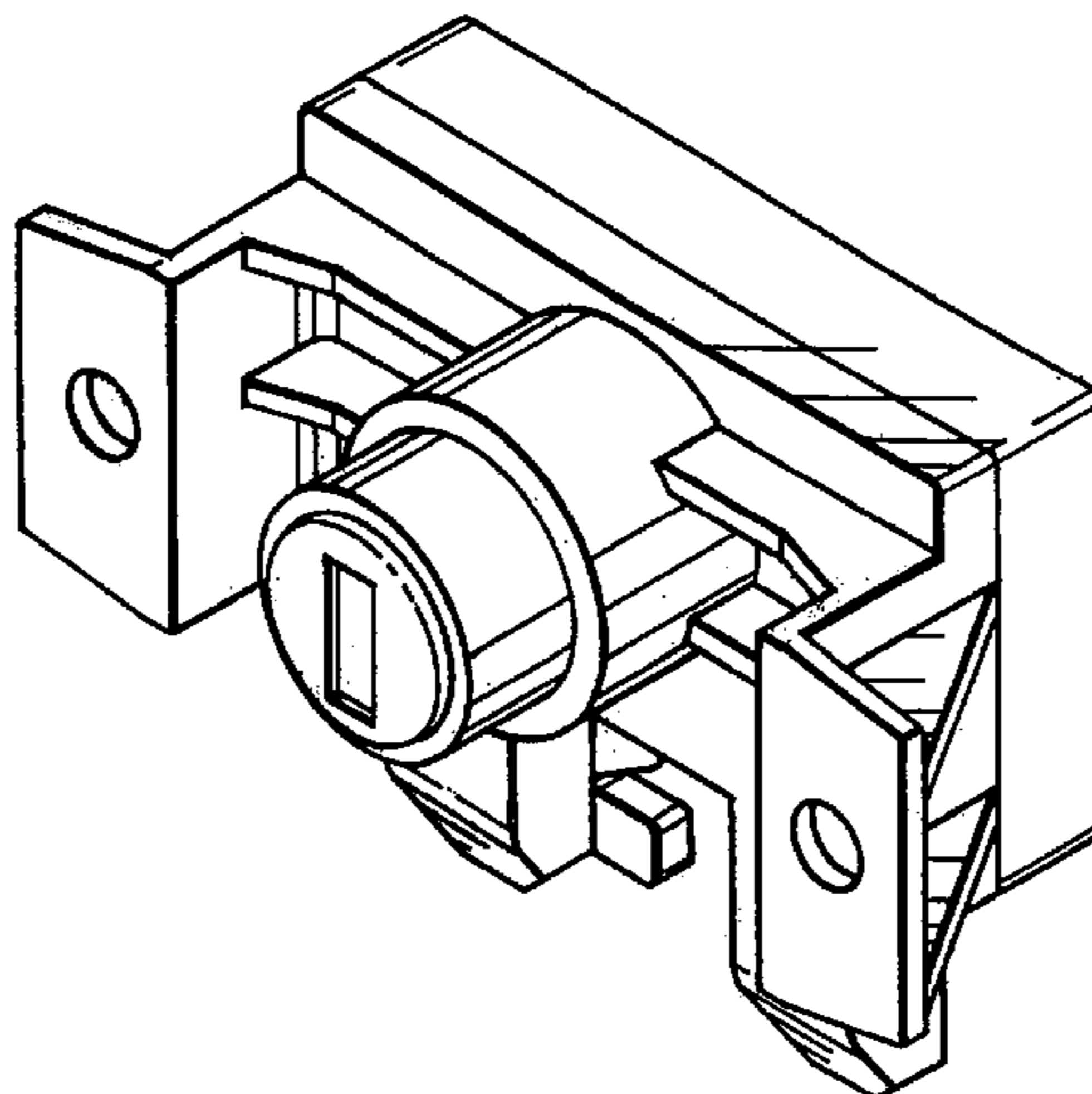
FIG. 5 is a top view thereof;

FIG. 6 is a bottom view thereof; and,

FIG. 7 is a left side view thereof, it being understood that a right side view is identical hereto but a mirror image reversal hereof.

The broken-line disclosure in some views is provided for illustrative purposes only and forms no part of the claimed design.

1 Claim, 4 Drawing Sheets



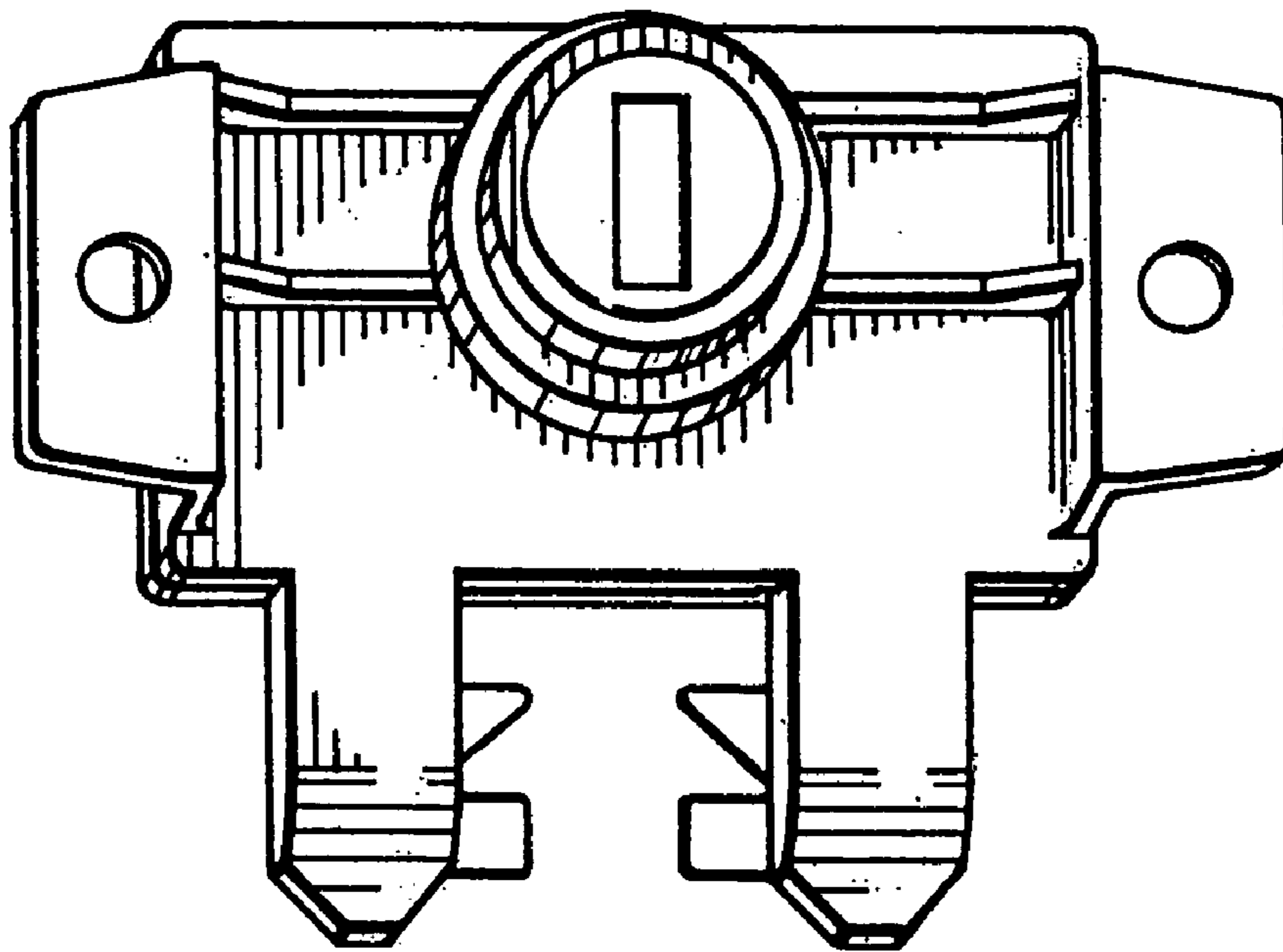


FIG. 1

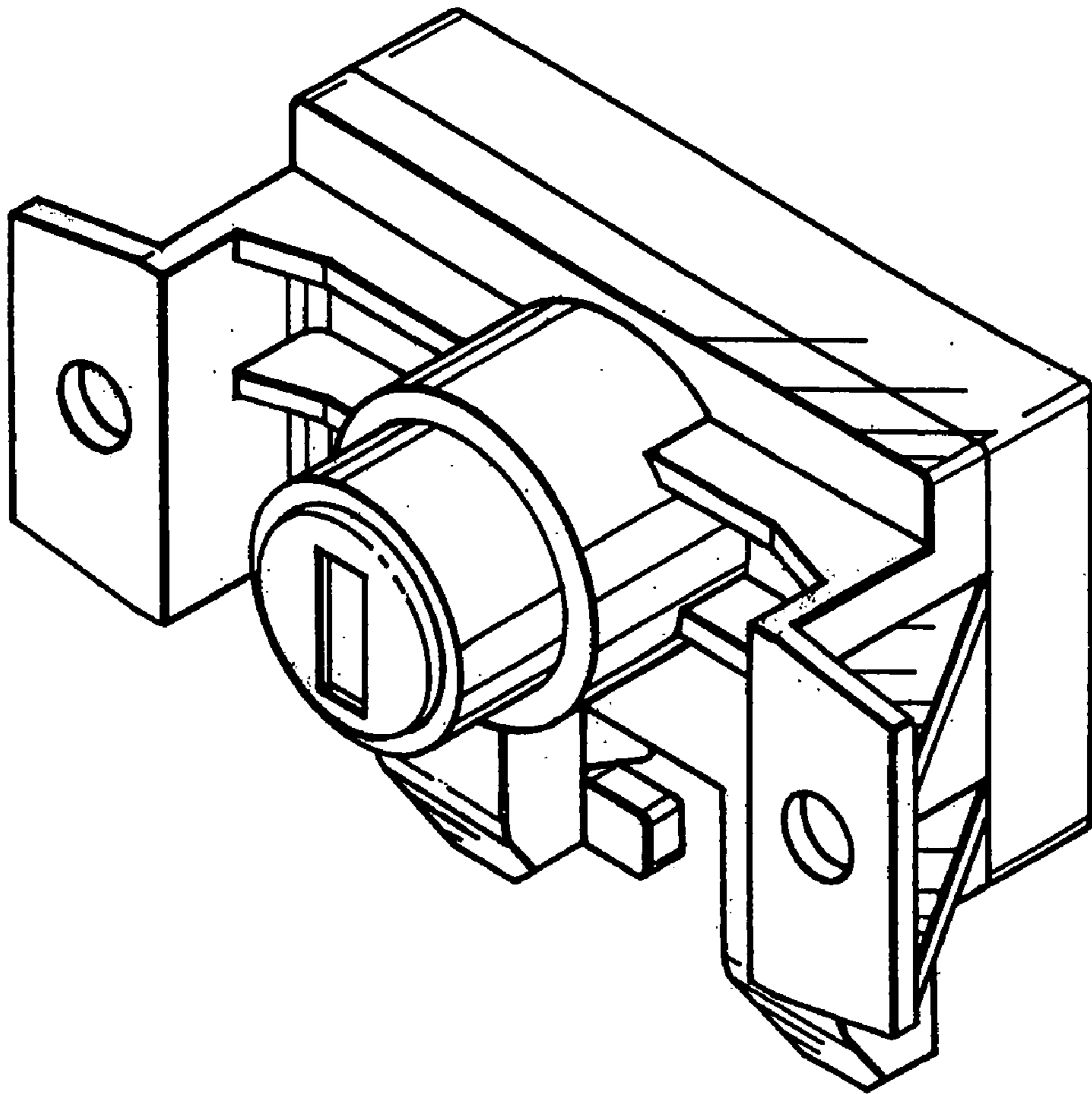


FIG. 2

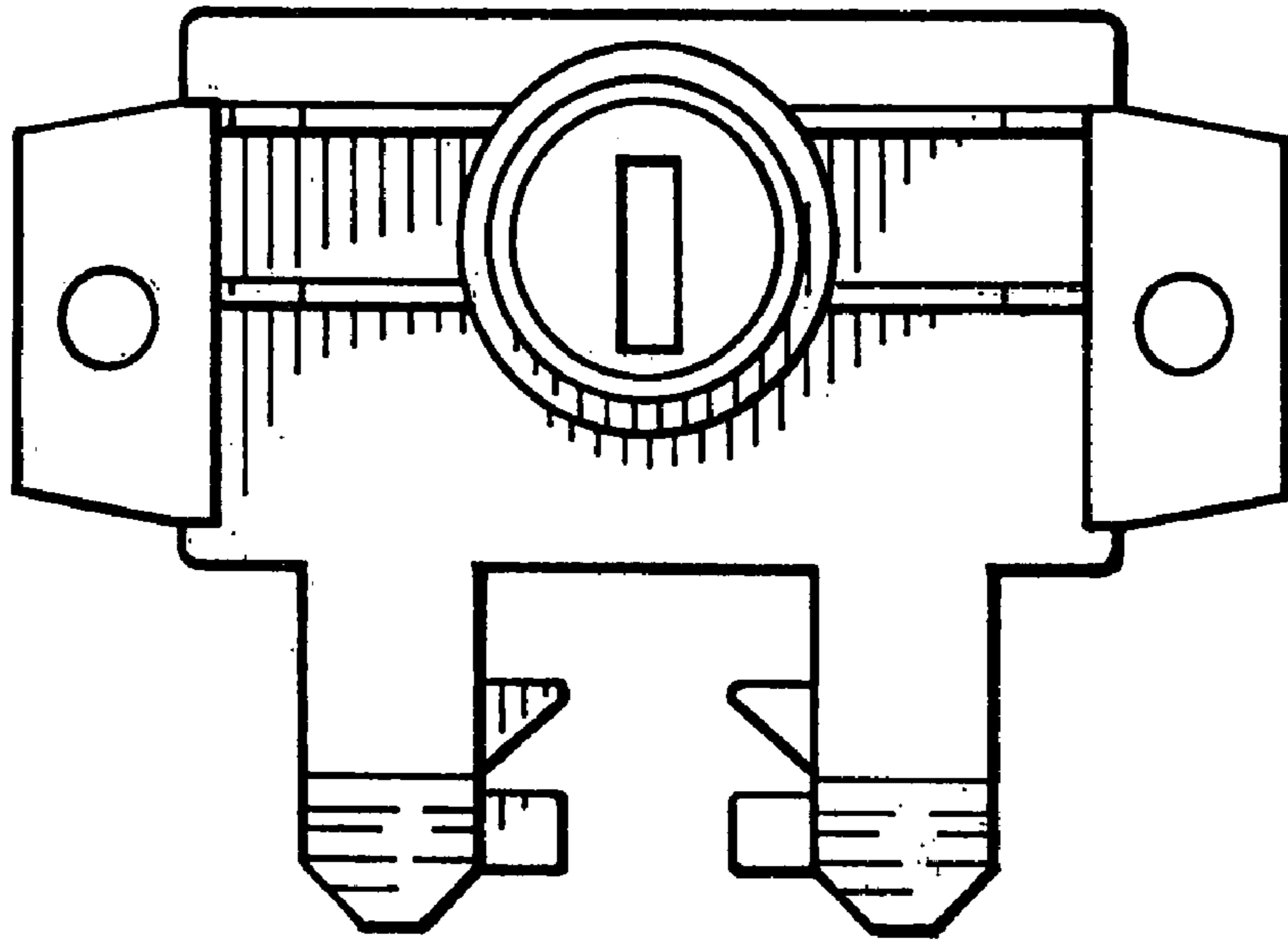


FIG. 3

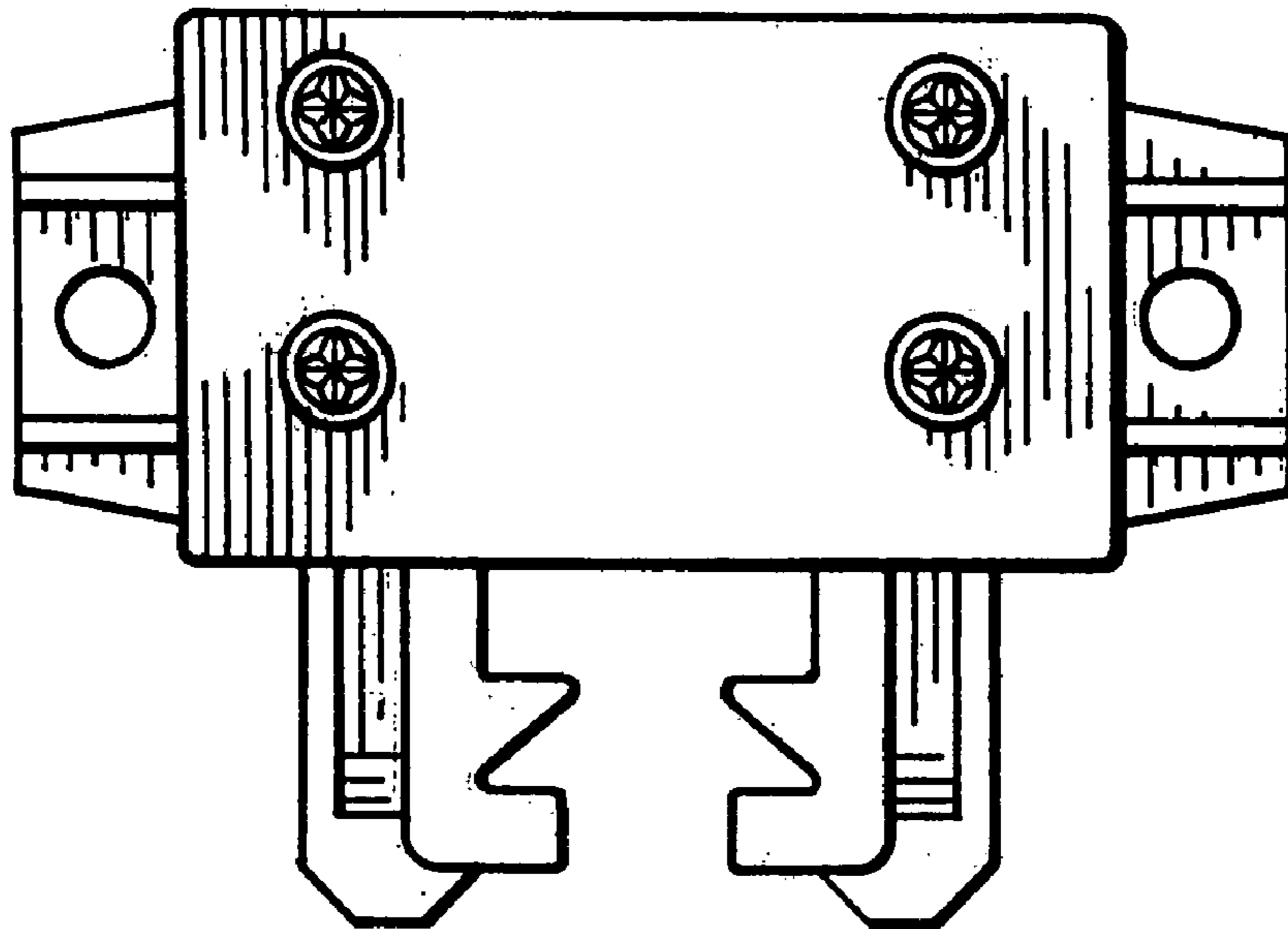


FIG. 4

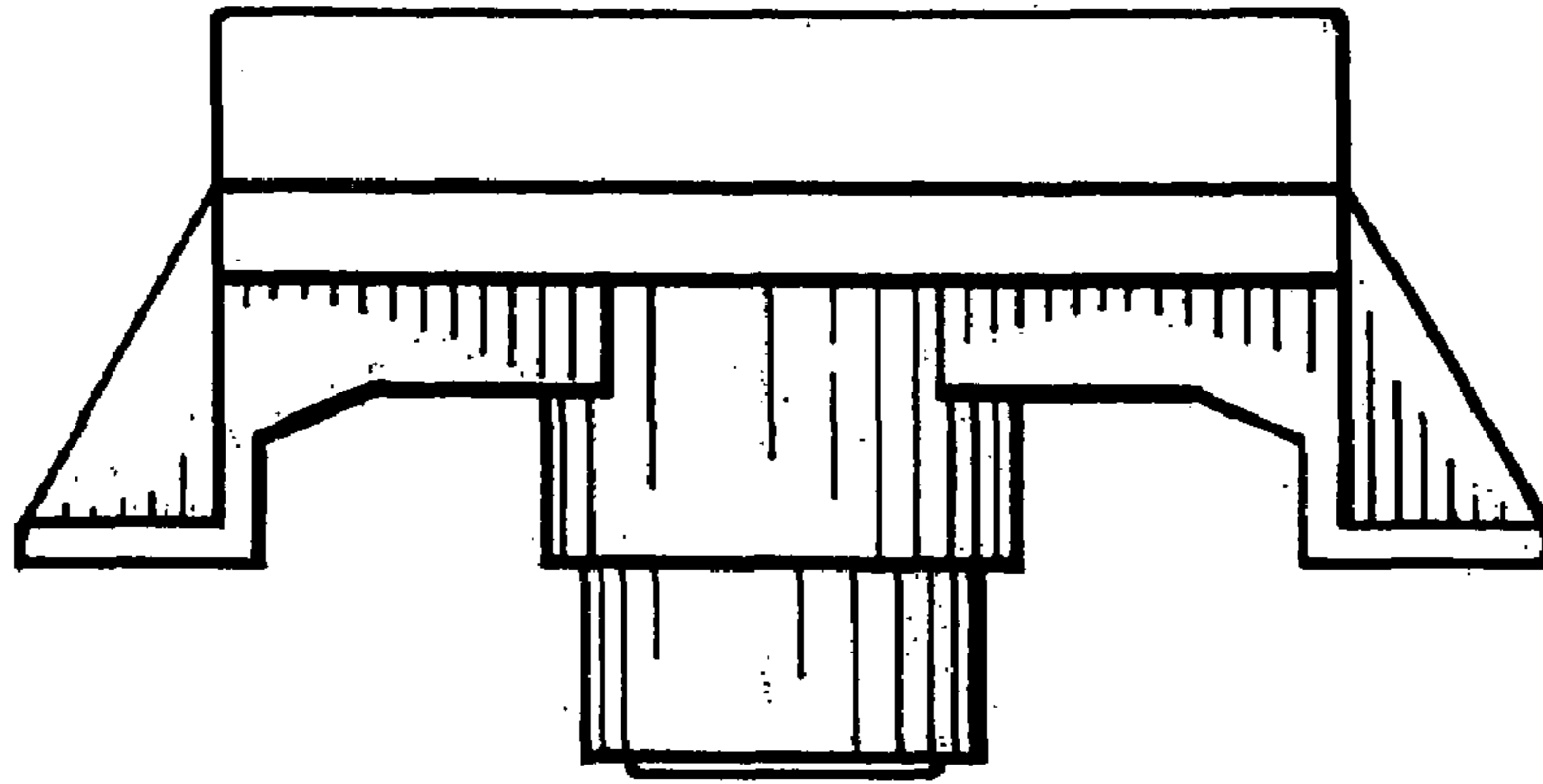


FIG. 5

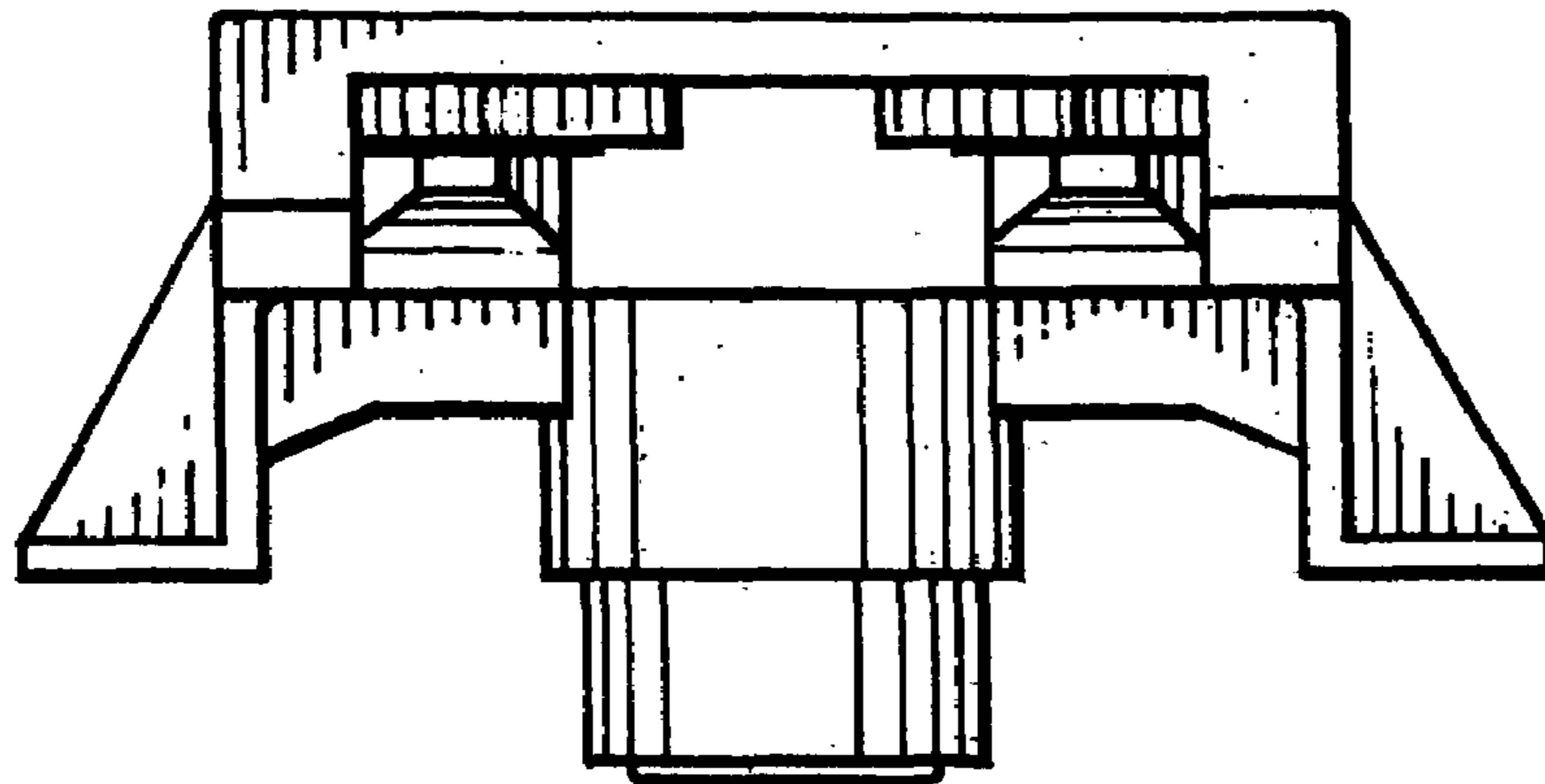


FIG. 6

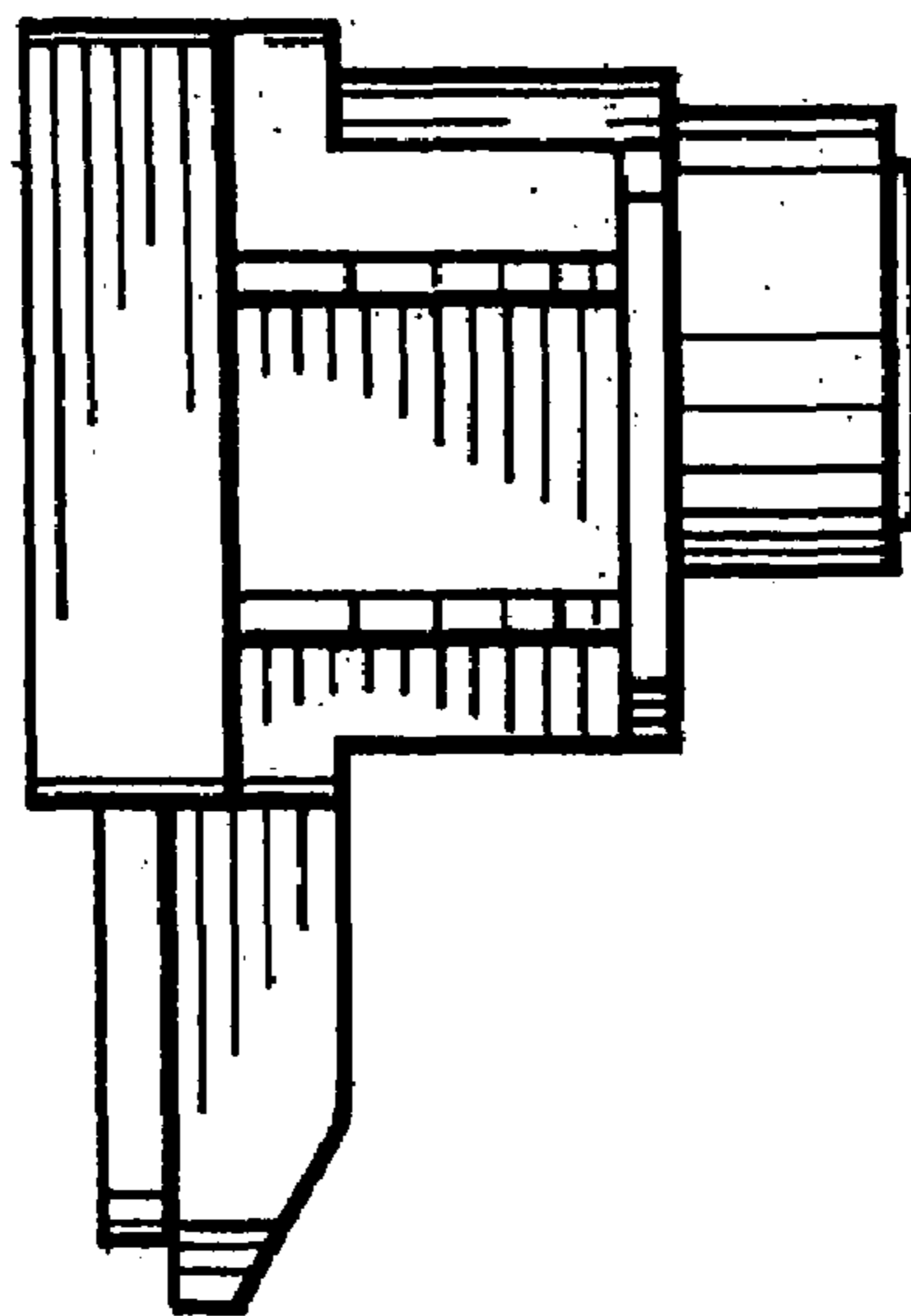


FIG. 7