



US00D553471S

(12) **United States Design Patent**  
**Krumpe**

(10) **Patent No.:** **US D553,471 S**

(45) **Date of Patent:** **\*\* Oct. 23, 2007**

(54) **KNOB**

(75) Inventor: **Geraint Krumpe**, Chicago, IL (US)

(73) Assignee: **Liberty Hardware Mfg. Corp.**,  
Winston-Salem, NC (US)

(\*\*) Term: **14 Years**

(21) Appl. No.: **29/262,850**

(22) Filed: **Jul. 12, 2006**

(51) **LOC (8) Cl.** ..... **08-06**

(52) **U.S. Cl.** ..... **D8/307; D8/310**

(58) **Field of Classification Search** ..... D8/300-311,  
D8/DIG. 2; D23/250-254; D9/450-453;  
4/675-678; 222/480, 484, 534, 540; 16/110.1;  
215/313

See application file for complete search history.

(56) **References Cited**

**U.S. PATENT DOCUMENTS**

D188,409 S \* 7/1960 Kohler ..... D23/250

3,036,746 A \* 5/1962 Hagen ..... 222/480  
D331,620 S \* 12/1992 Bell et al. .... D23/252  
D435,424 S \* 12/2000 Short ..... D8/310  
D444,695 S \* 7/2001 Decosse ..... D8/311

\* cited by examiner

*Primary Examiner*—Paula A. Greene

(74) *Attorney, Agent, or Firm*—Edgar A. Zarins; Lloyd D. Doigan

(57) **CLAIM**

The ornamental design for a knob, as shown and described.

**DESCRIPTION**

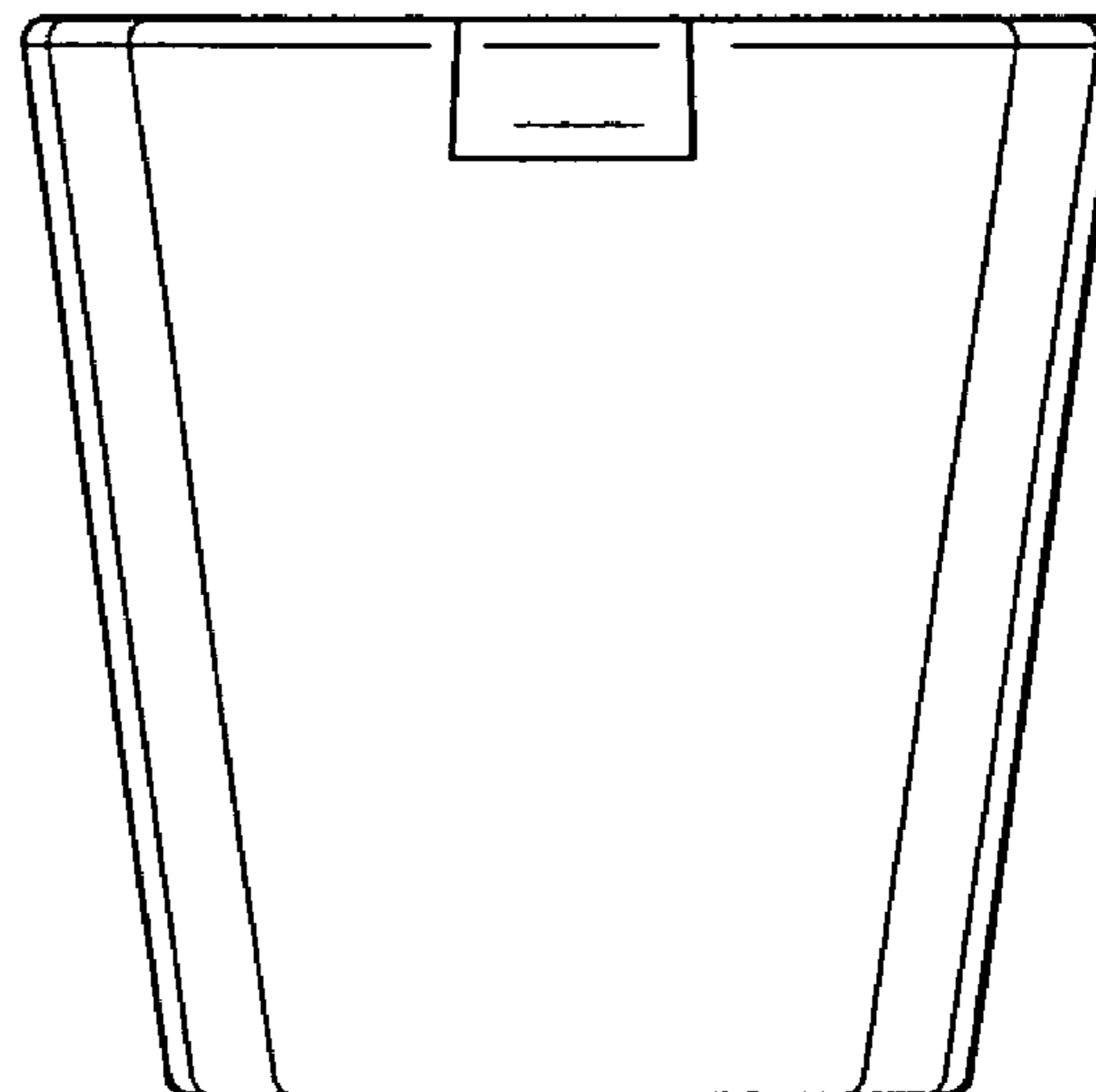
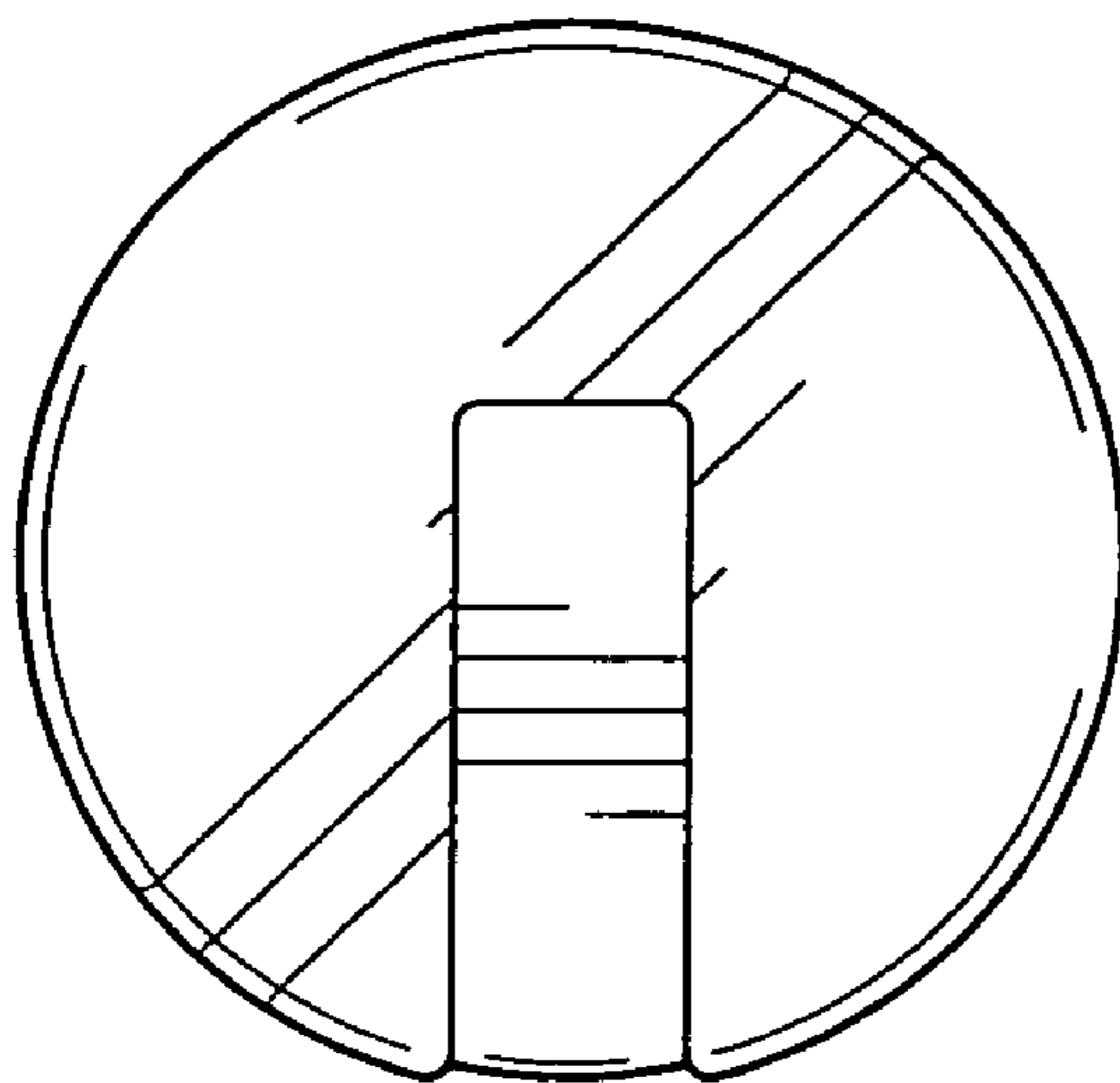
FIG. 1 is a front elevational view of a knob showing my new design;

FIG. 2 is a side view thereof;

FIG. 3 is a transverse cross-sectional view thereof; and,

FIG. 4 is a rear end view thereof.

**1 Claim, 1 Drawing Sheet**



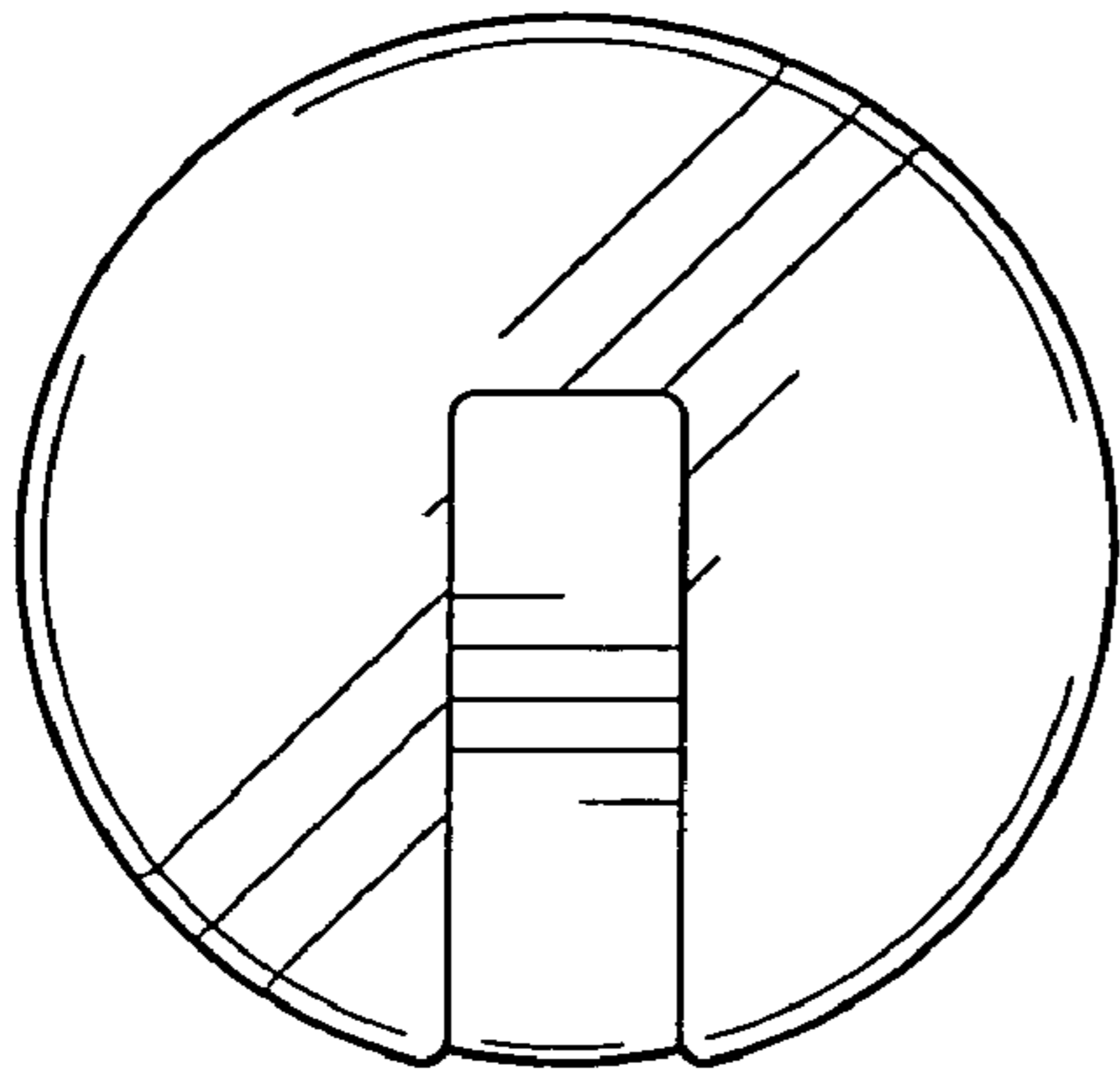


Fig-1

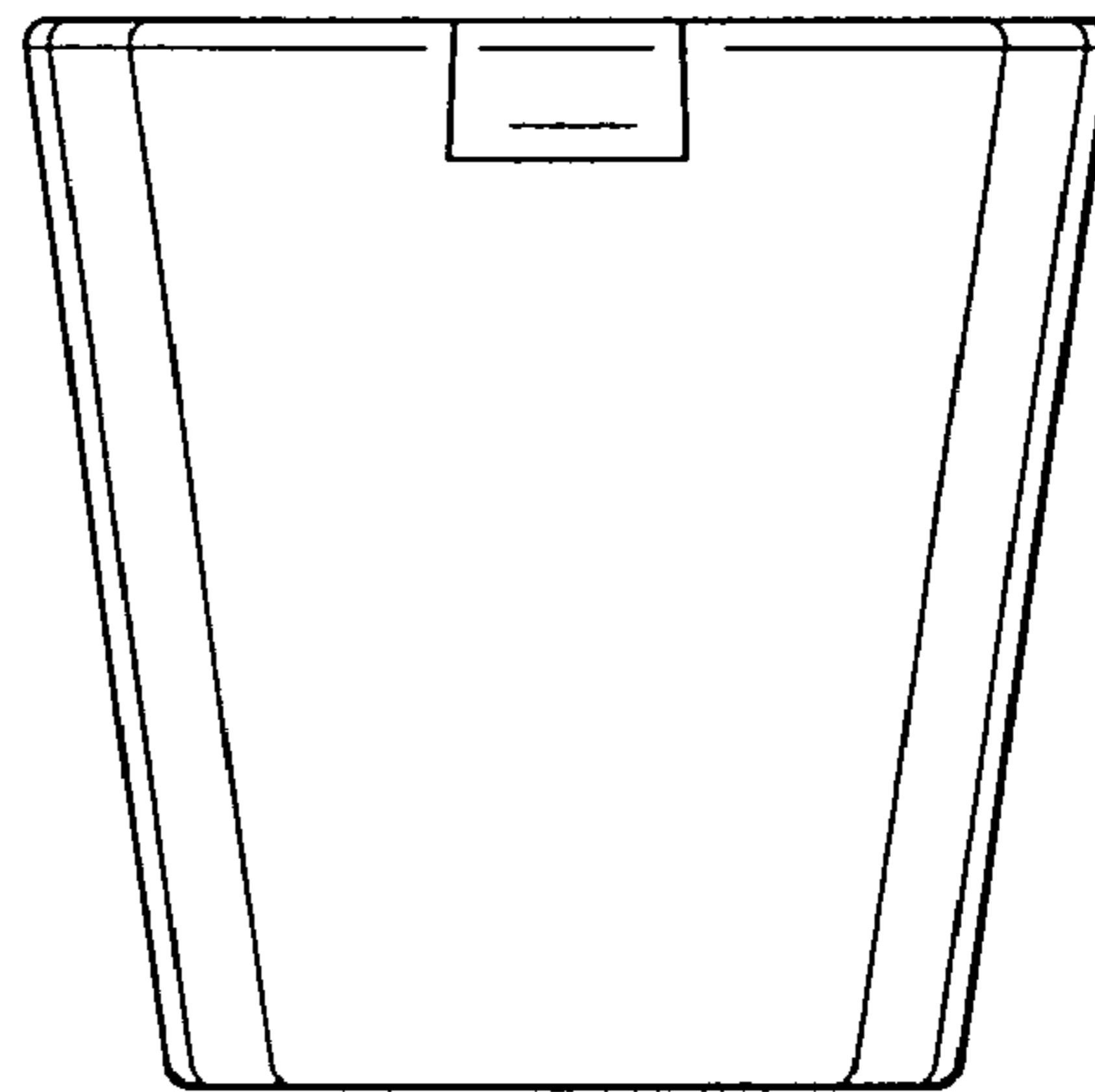


Fig-2

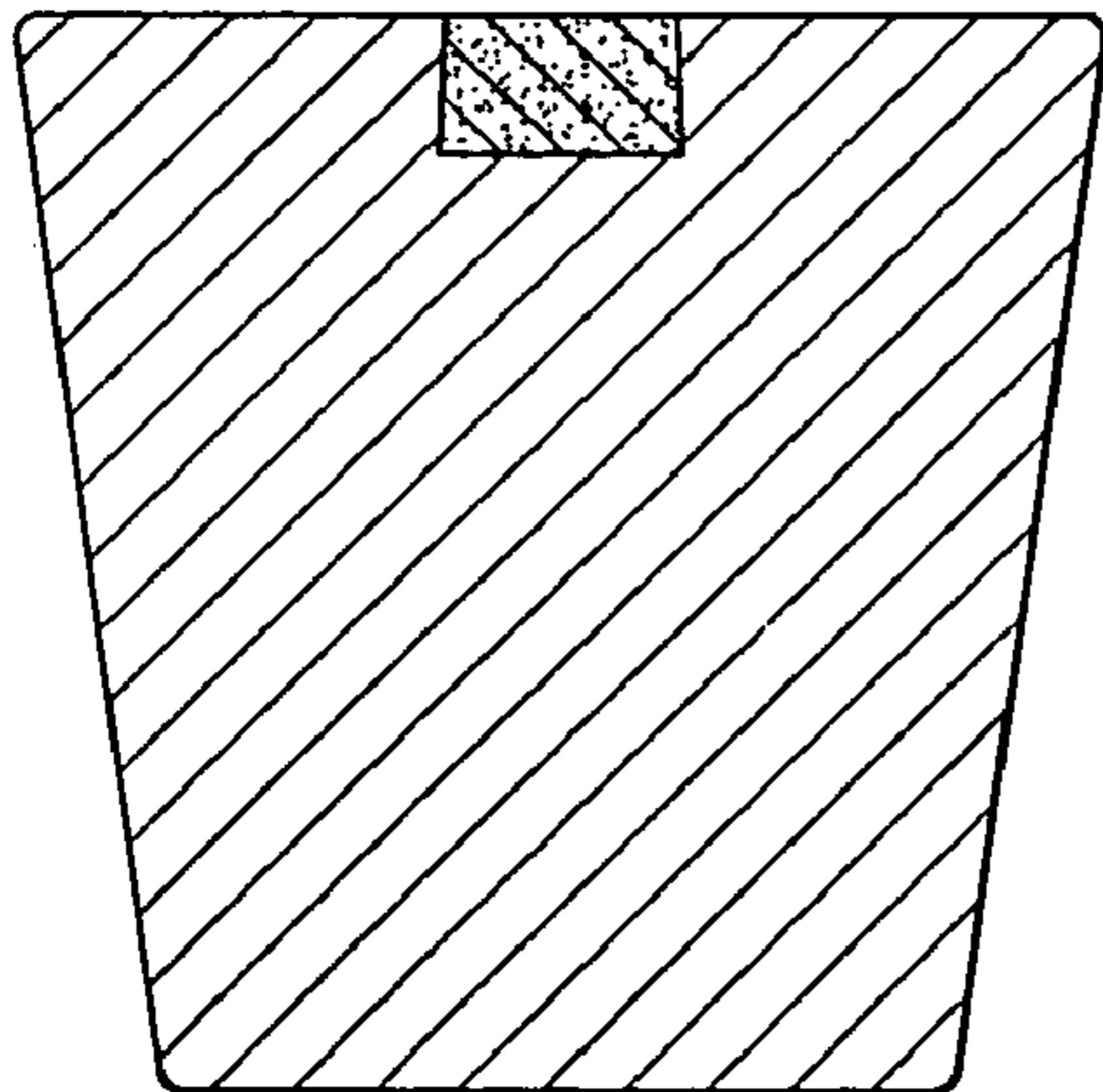


Fig-3

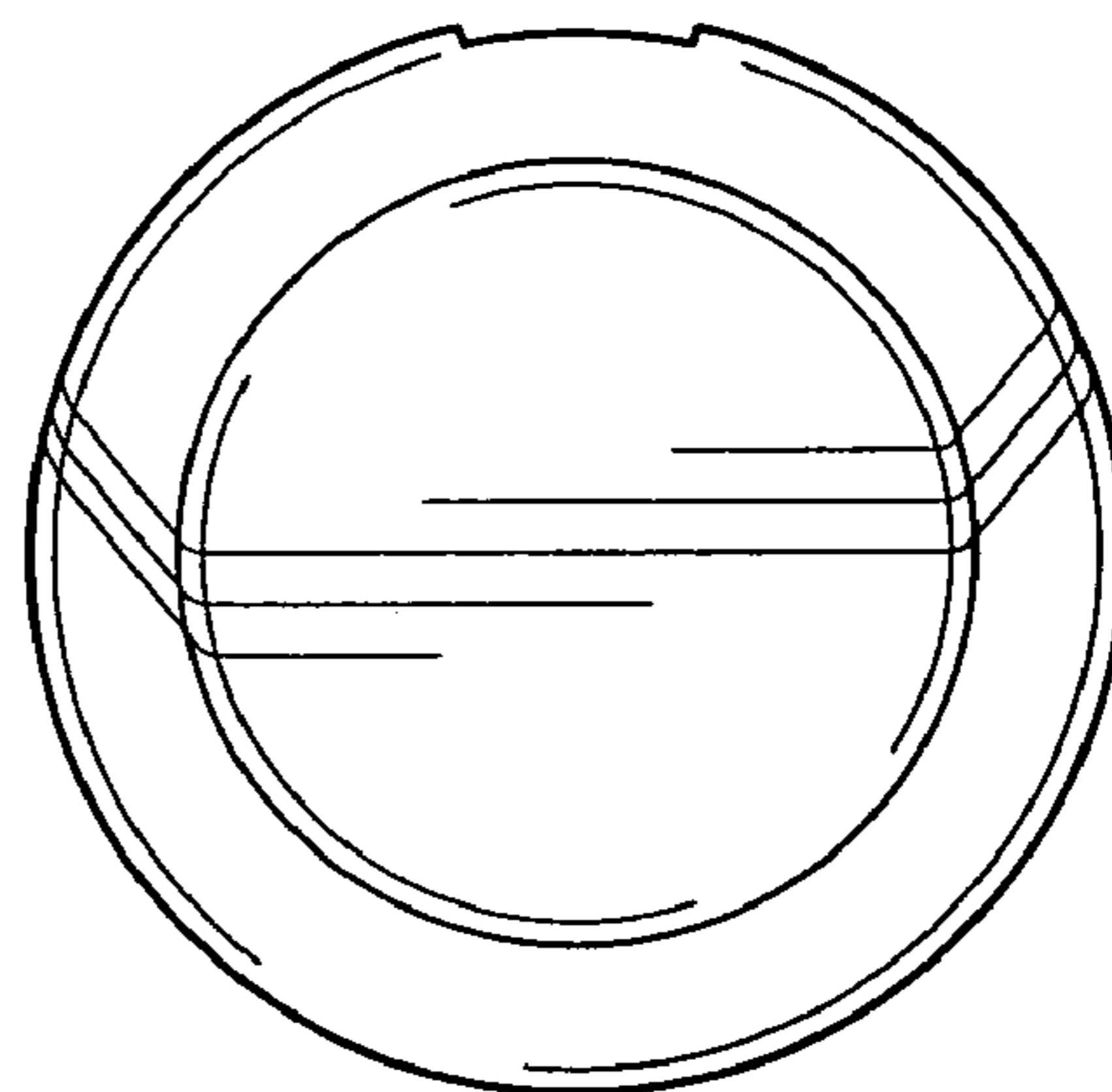


Fig-4