



US00D553469S

(12) **United States Design Patent** (10) **Patent No.:** **US D553,469 S**
Onion (45) **Date of Patent:** **** Oct. 23, 2007**

(54) **KNIFE**

D520,842 S * 5/2006 Pohl D8/99
2006/0064877 A1* 3/2006 Vallotton et al. 30/153

(76) Inventor: **Kenneth J. Onion**, 47-501 Hui Kelu St., Kaneohe, HI (US) 96744

OTHER PUBLICATIONS

(**) Term: **14 Years**

Kershaw Cyclone knife, Knife Center websight. First mention of knife found on Shot Show 2006 Report on internet.*
Smokey Mountain Knife Works Catalog, 2003, pp. 9, 20, 21, 22, 23, 46, 47, 48, 64, 65.*

(21) Appl. No.: **29/257,956**

* cited by examiner

(22) Filed: **Apr. 13, 2006**

(51) **LOC (8) Cl.** **08-03**

Primary Examiner—Philip S. Hyder

(52) **U.S. Cl.** **D8/99**

(74) *Attorney, Agent, or Firm*—Seed IP Law Group PLLC

(58) **Field of Classification Search** D8/98,
D8/99, 100, 107; 30/155, 156, 157, 158,
30/159, 160, 161; D22/118

(57) **CLAIM**

See application file for complete search history.

The ornamental design for a knife, as shown and described.

(56) **References Cited**

DESCRIPTION

U.S. PATENT DOCUMENTS

FIG. 1 is a right-side perspective view showing my new knife design with the blade folded into the handle.

D384,871 S	*	10/1997	McWillis	D8/99
D407,002 S	*	3/1999	Morton et al.	D8/99
D422,478 S	*	4/2000	Elishewitz	D8/99
D428,789 S	*	8/2000	McHenry et al.	D8/99
D431,991 S	*	10/2000	Elishewitz	D8/99
D438,085 S		2/2001	Onion		
D450,228 S		11/2001	Onion		
D454,043 S		3/2002	Onion		
D454,768 S		3/2002	Onion		
D455,062 S		4/2002	Onion		
D467,783 S		12/2002	Onion		
D474,669 S		5/2003	Onion		
D479,104 S		9/2003	Onion		
D479,114 S		9/2003	Onion		
D488,045 S		4/2004	Onion		
D497,531 S	*	10/2004	Carter, III	D8/99
D508,194 S	*	8/2005	Carter, III	D8/99
D513,958 S	*	1/2006	Ray	D8/99

FIG. 2 is a left-side perspective view showing my new knife design with the blade extended away from the handle in the open position.

FIG. 3 is a front elevational view thereof.

FIG. 4 is a rear elevational view thereof.

FIG. 5 is a top plan view thereof.

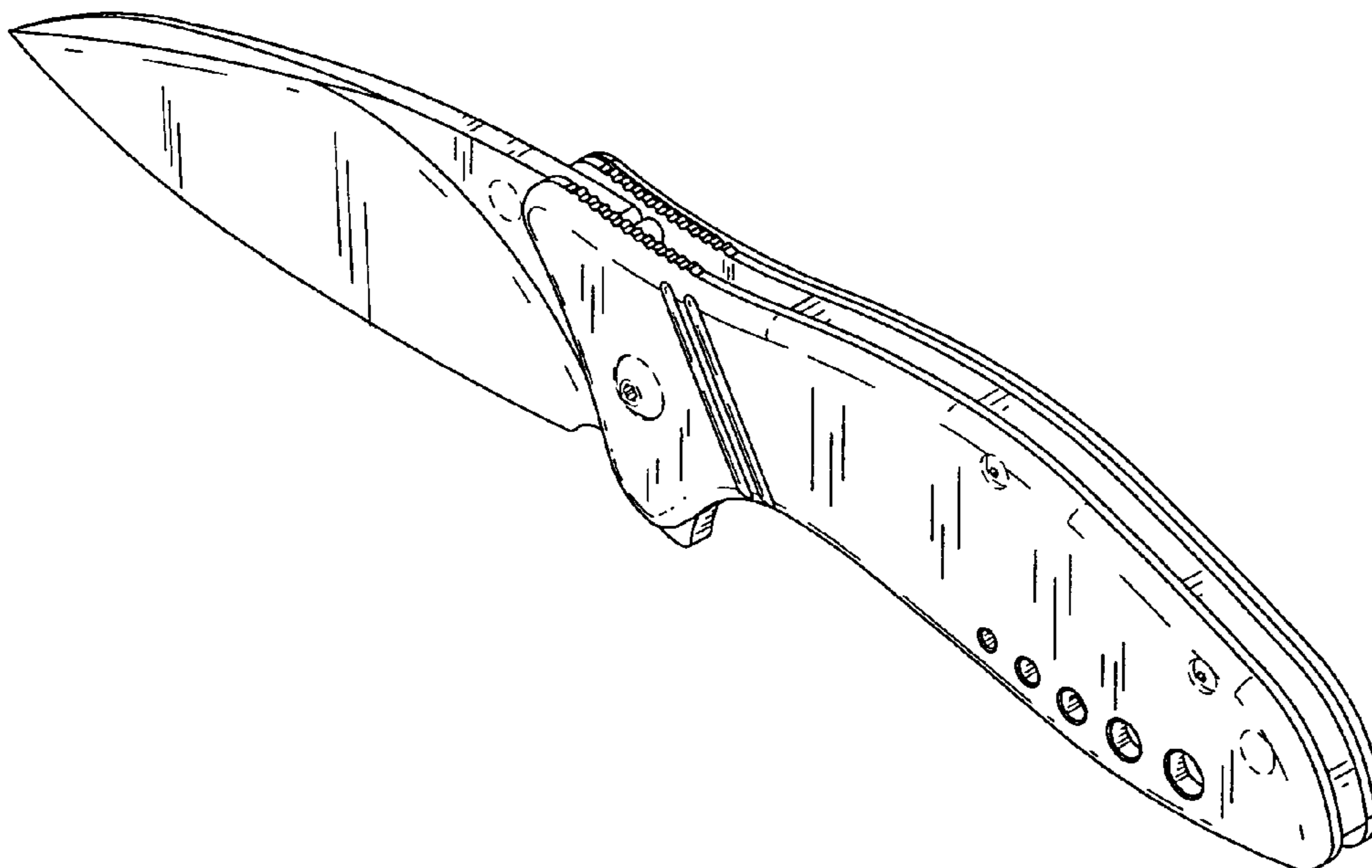
FIG. 6 is a left side elevational view thereof.

FIG. 7 is a bottom plan view thereof; and,

FIG. 8 is a right side elevational view thereof.

The broken line portions of the disclosure are included for the purpose of illustrating unclaimed structure and form no part of the claimed design.

1 Claim, 3 Drawing Sheets



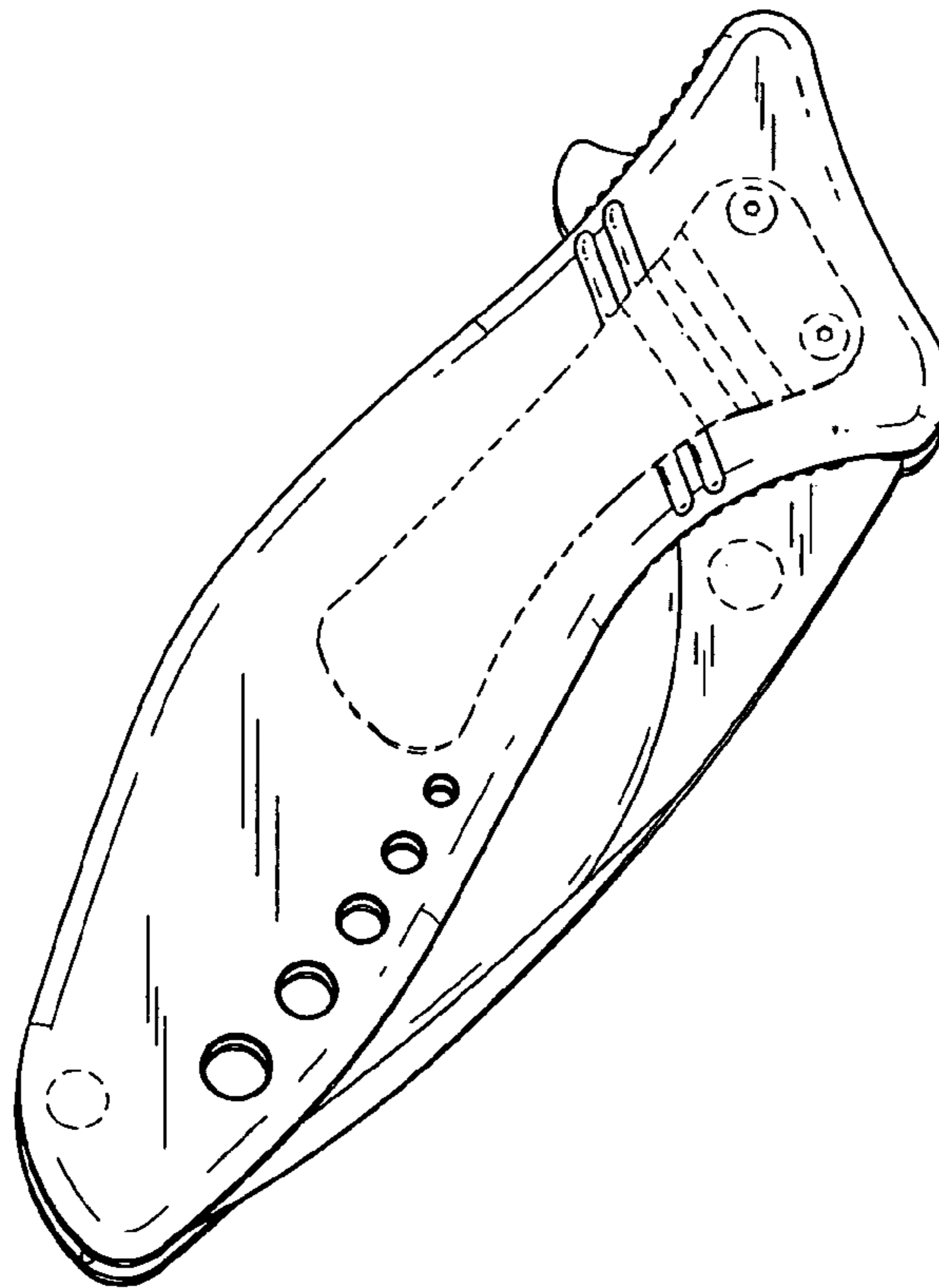


FIG. 1

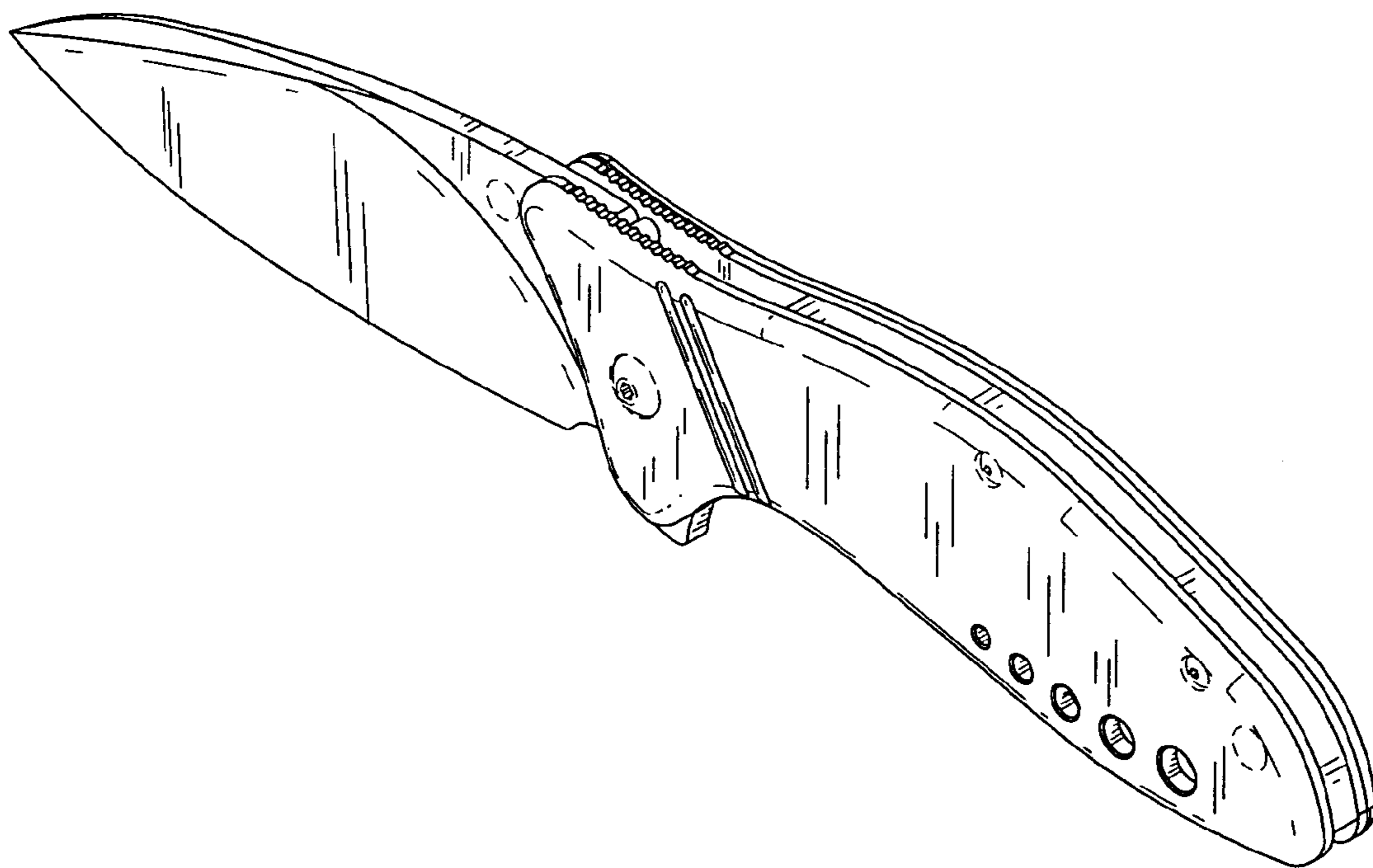


FIG. 2

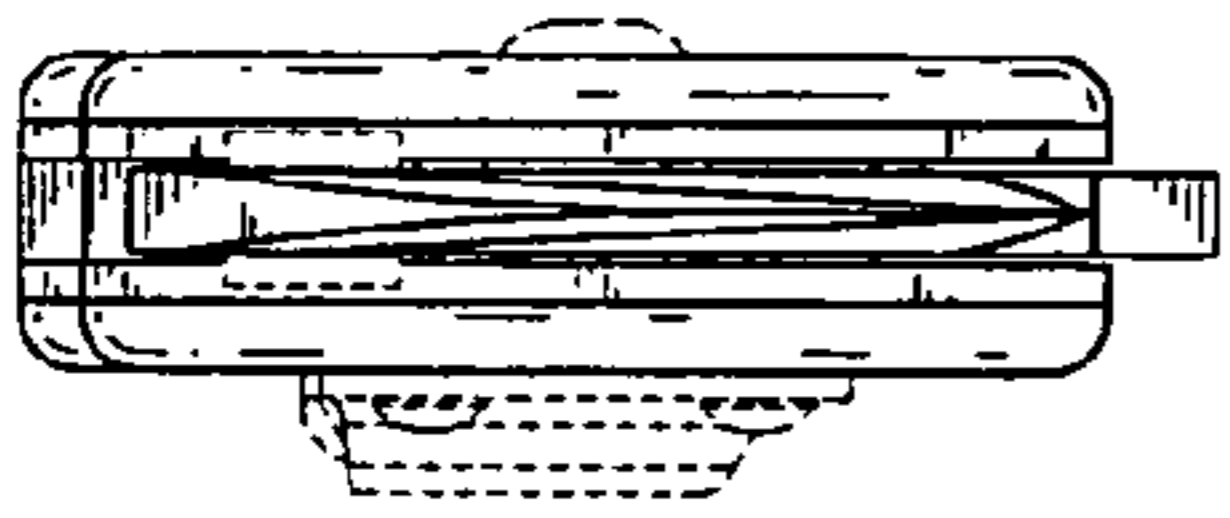


FIG. 3

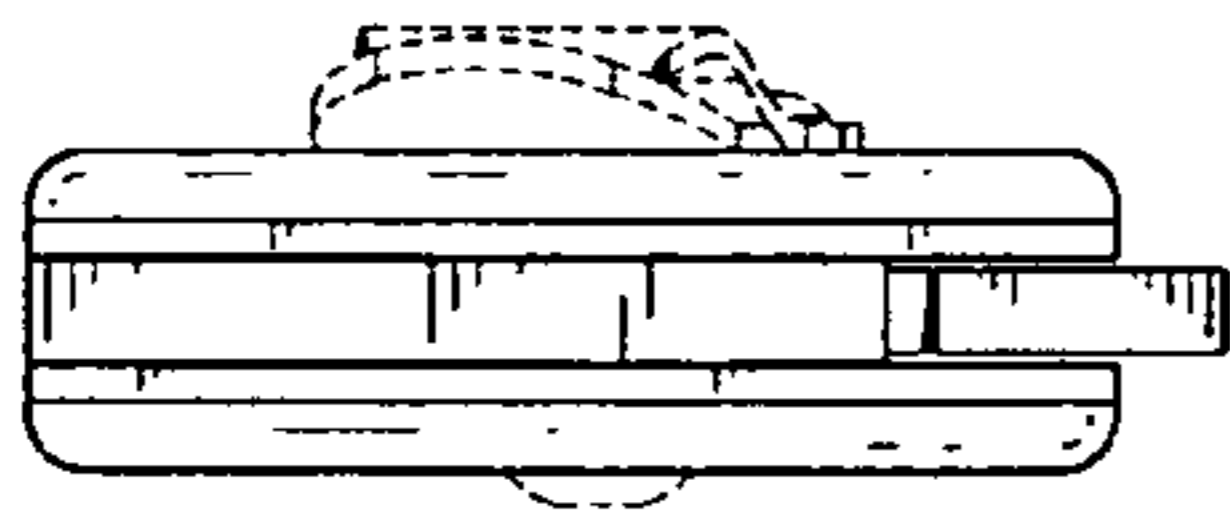


FIG. 4

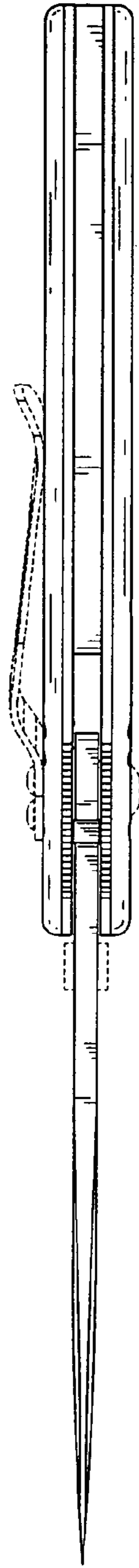


FIG. 5

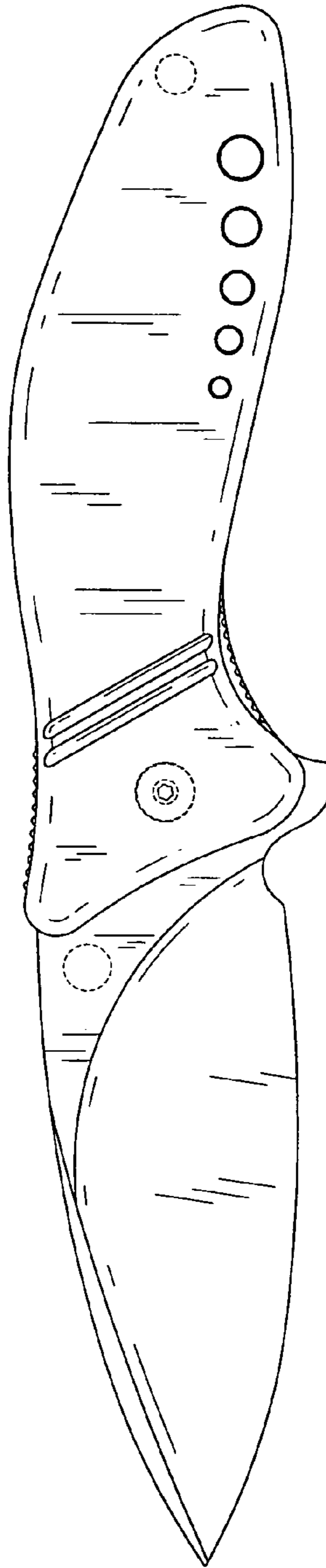


FIG. 6

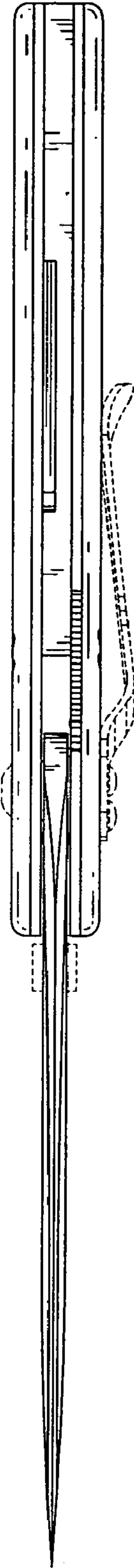


FIG. 7

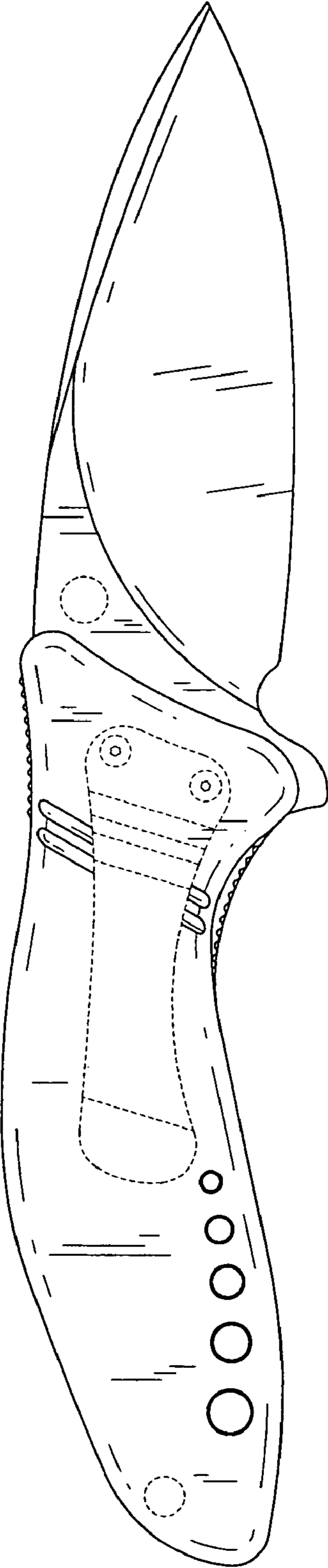


FIG. 8