



US00D553468S

(12) **United States Design Patent**  
**Freeman**

(10) **Patent No.:** **US D553,468 S**

(45) **Date of Patent:** **\*\* Oct. 23, 2007**

(54) **KNIFE HANDLE**

(75) Inventor: **Jeffrey M. Freeman**, Salem, OR (US)

(73) Assignee: **Fiskars Brands, Inc.**, Madison, WI (US)

(\*\*) Term: **14 Years**

(21) Appl. No.: **29/256,018**

(22) Filed: **Mar. 15, 2006**

(51) **LOC (8) Cl.** ..... **08-03**

(52) **U.S. Cl.** ..... **D8/99**

(58) **Field of Classification Search** ..... D8/98,  
D8/99, 100, 107; D22/118; 30/155, 156,  
30/157, 158, 159, 160, 161, 162, 154  
See application file for complete search history.

(56) **References Cited**

**U.S. PATENT DOCUMENTS**

D230,696 S *	3/1974	Evrell et al. ....	D8/99
D384,871 S *	10/1997	McWillis .....	D8/99
D389,718 S *	1/1998	Wegner .....	D8/99
D412,275 S *	7/1999	Collins .....	D8/99
D428,789 S *	8/2000	McHenry et al. ....	D8/99
D433,913 S *	11/2000	Pardue .....	D8/99
D438,443 S *	3/2001	Keating .....	D8/99
2005/0132576 A1 *	6/2005	Onion .....	30/158
2005/0252010 A1	11/2005	Freeman	
2006/0080840 A1	4/2006	Freeman	

**OTHER PUBLICATIONS**

Smokey Mountain knife works catalog, 2003 pp. 9, 20, 21, 22, 23, 46, 47, 48,64, 65.\*

Knife Center websight, Gerber folding knives, 3 pages.\*

Knife Center websight, Automatic opening knives, 2 pages.\*

Photographs of knife handles, 2 pages.

\* cited by examiner

*Primary Examiner*—Philip S. Hyder

(74) *Attorney, Agent, or Firm*—Foley & Lardner LLP

(57) **CLAIM**

I claim the ornamental design for a knife handle, as shown and described.

**DESCRIPTION**

FIG. 1 is a perspective view of the claimed design.

FIG. 2 is a side elevation view of the claimed design.

FIG. 3 is a side elevation view of the claimed design.

FIG. 4 is a top elevation view of the claimed design.

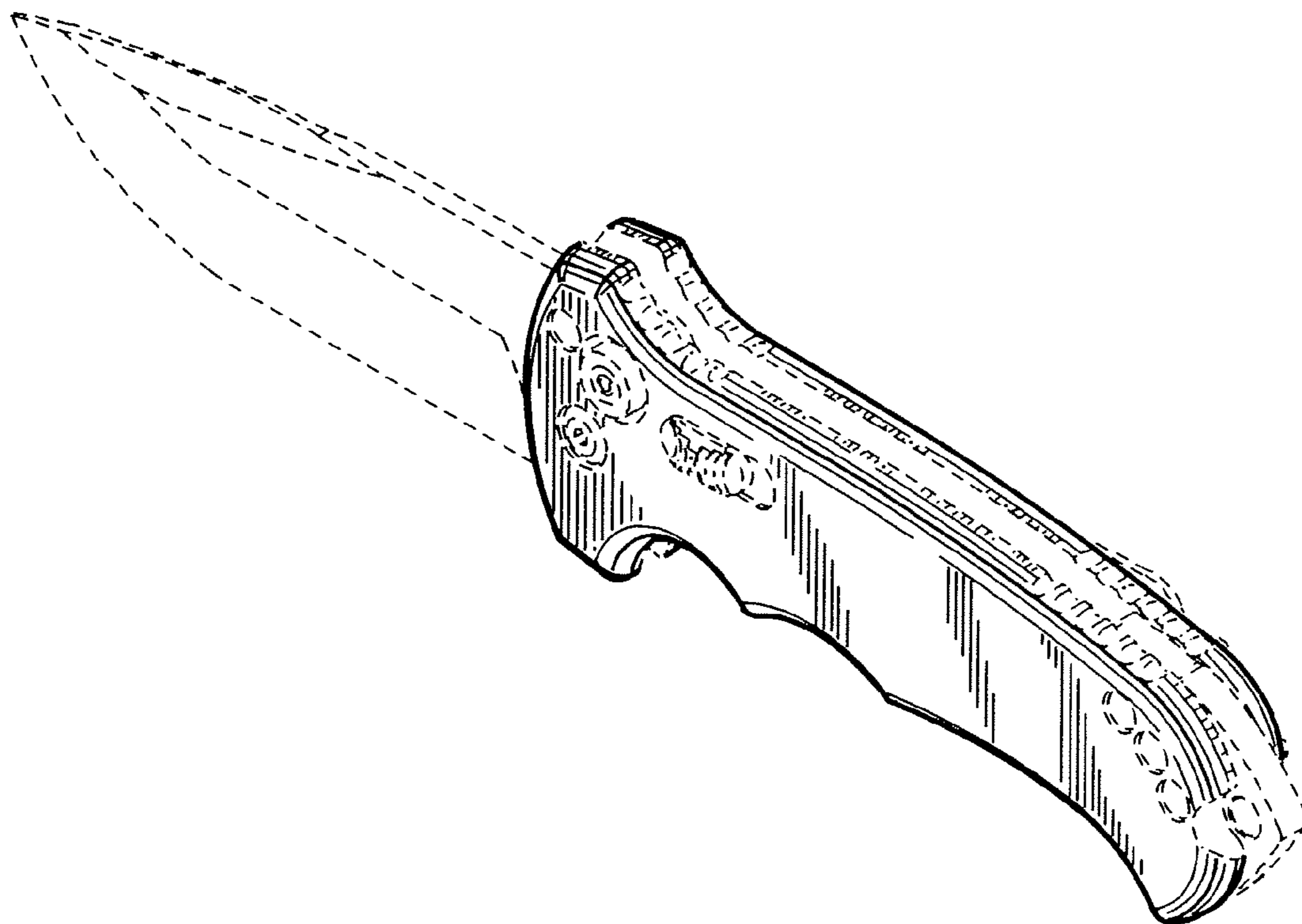
FIG. 5 is a bottom elevation view of the claimed design.

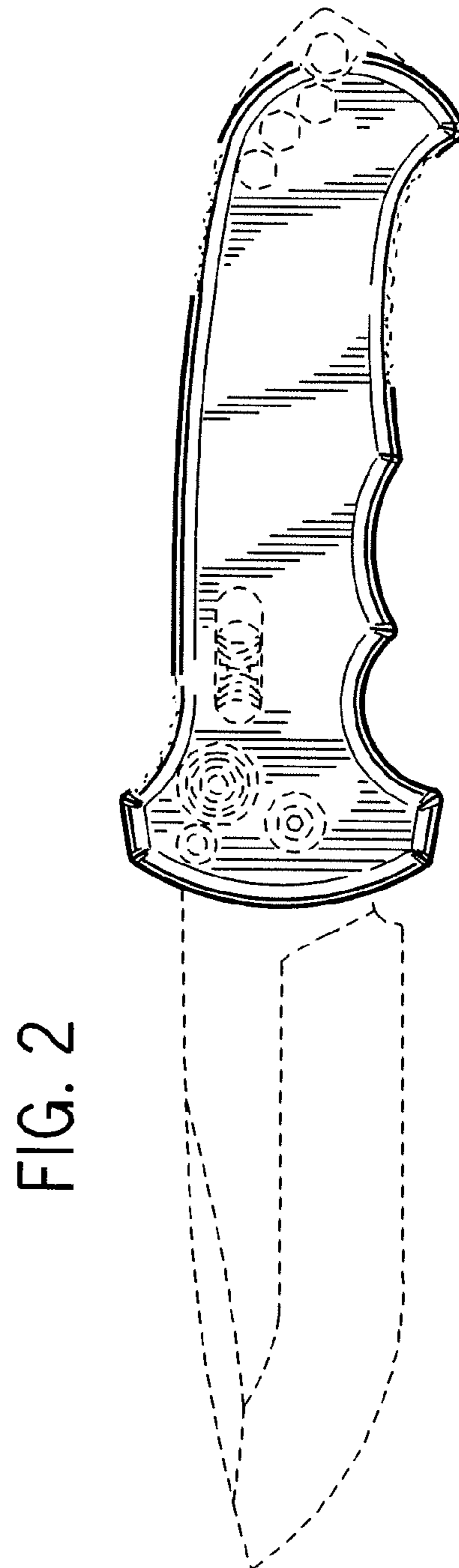
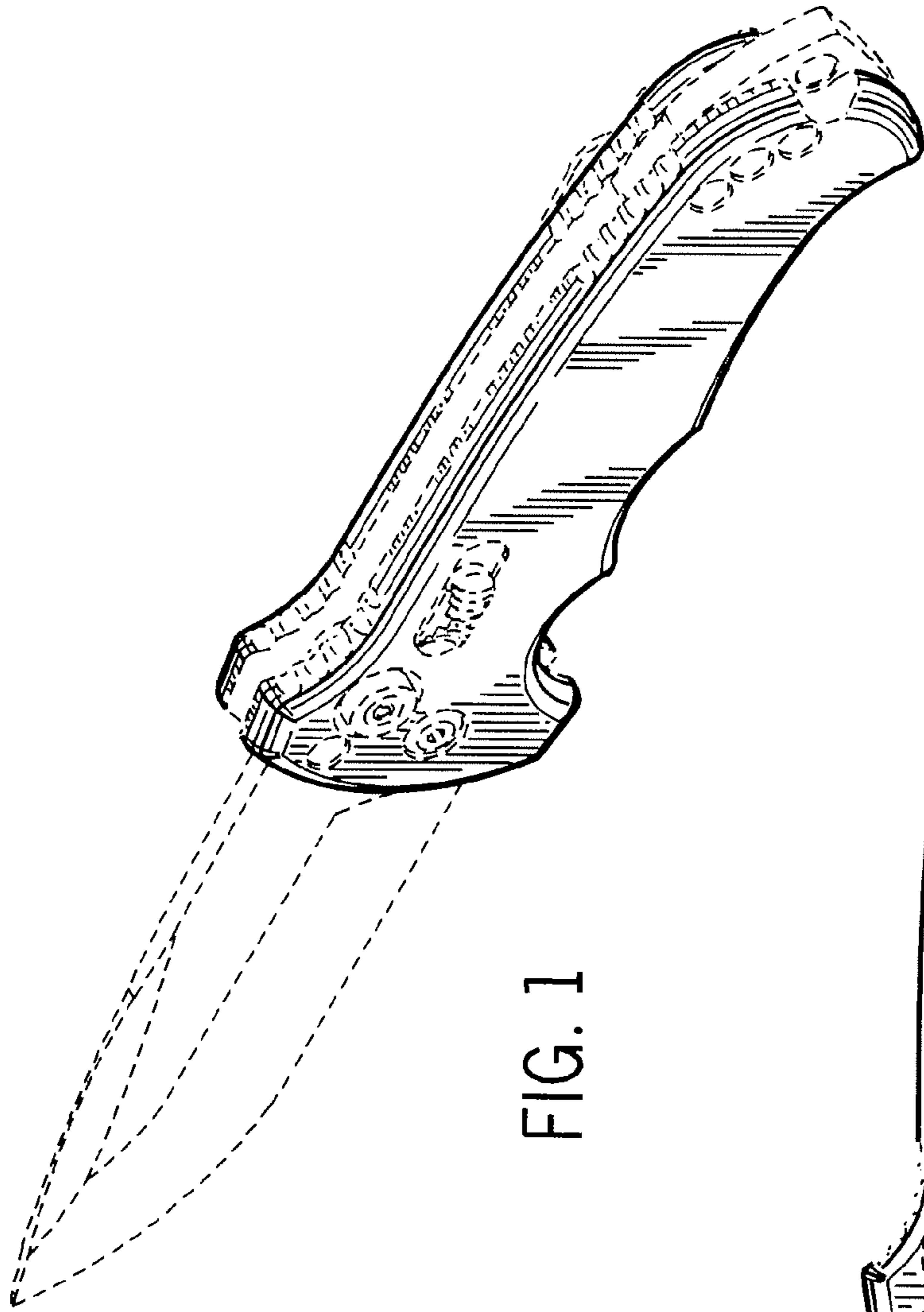
FIG. 6 is an elevation view of the claimed design; and,

FIG. 7 is another elevation view of the claimed design.

The ornamental design which is claimed is shown in solid lines in the drawings. The broken lines in the drawings are for illustrative purposes only and form no part of the claimed design.

**1 Claim, 3 Drawing Sheets**





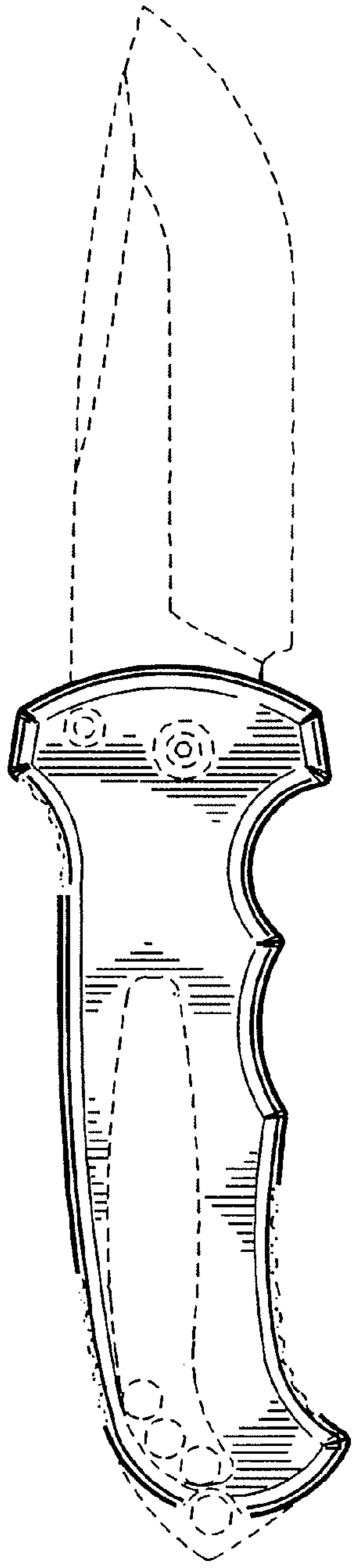


FIG. 3

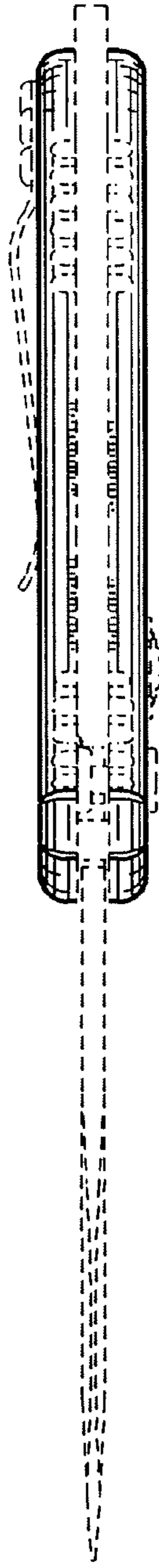


FIG. 4

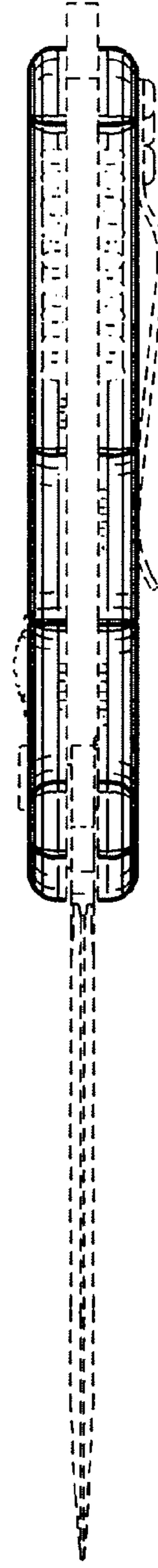


FIG. 5

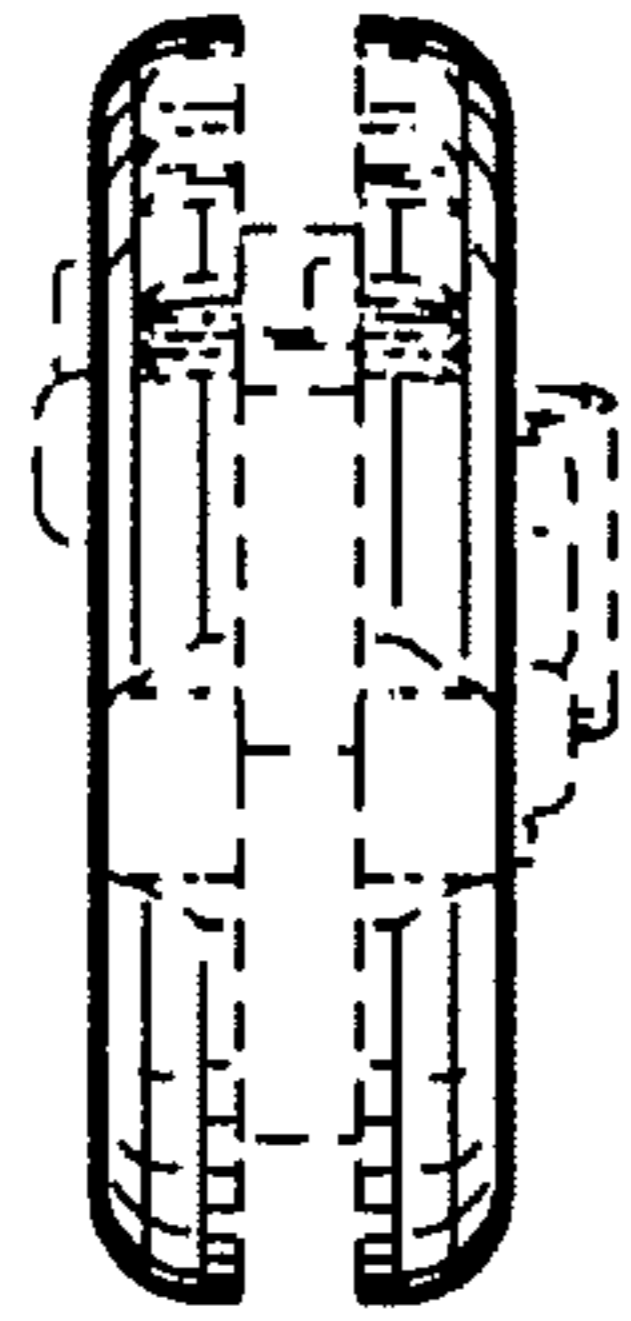


FIG. 6

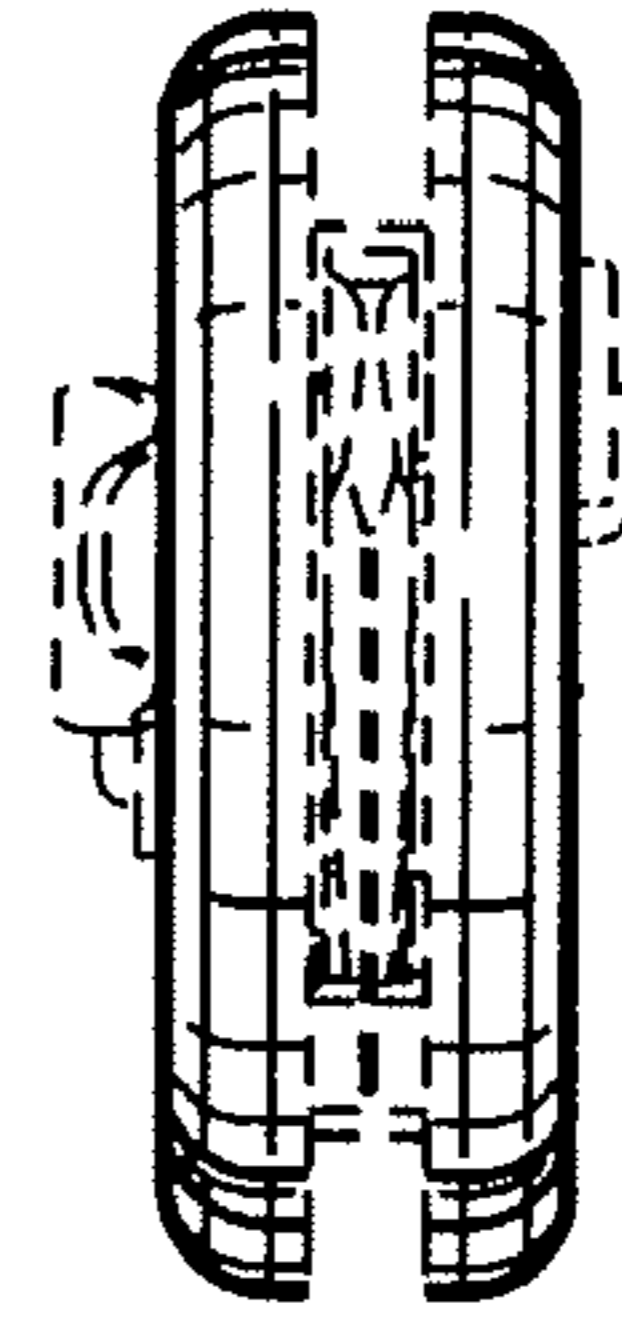


FIG. 7